

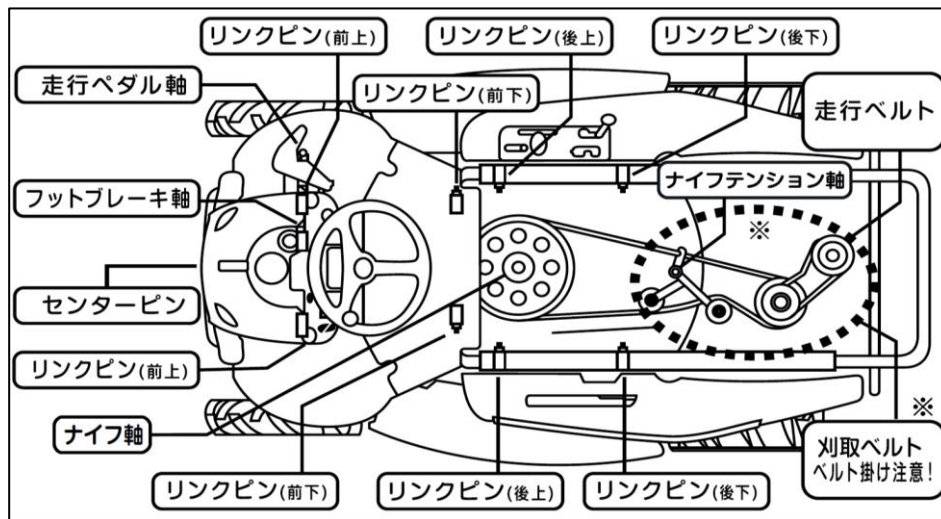
How to grease up and oiling

Required Time : 5 Mintues

Necessary Tool : Grease gun, grease, waste

Insufficient grease or lubricating oil in each opening section may cause malfunctions or malfunctions such as individual components. Grease and iubicating oil will be consumed. Be sure to check the operation of the opeating section before starting. Be careful not to stick oil to the power trnsmission parts, such as belts or pulleys when pouring oil.

① Place the machine on flat surface and check the positions of grease nipple.



※ Different models have different locations and quantities of grease nipple. And also the grease nipple. Some models use tools inside the cover. Refer to the instruction manual for details.

② Press the grease gun against the grease nipple and inject grease. wipe off the excess grease, after injecting and tighten the box as it is.



Grease may not come out well with the air. enough gun air vent.

Please go to see the grease coming out before pouring the grease into the product.

※If you do not have any equipment or tools, please contact your local dealer.