

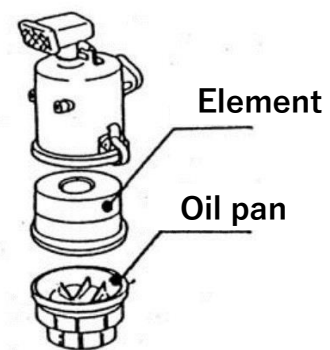
## How to clean the air cleaner

Time required: 10 minutes

Tool needed : Compressors, Air dusters

Failure to clean the air cleaner can cause serious problems such as engine seizure or malfunction. Please check and clean regularly.

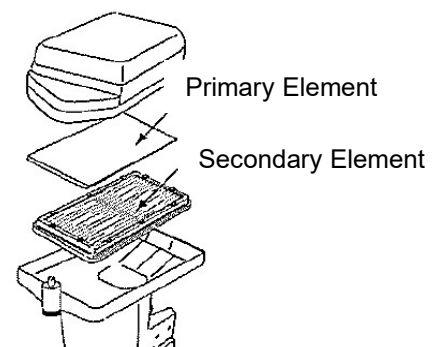
### Oil Bath Type Cleaner



Remove the clamp shown in the photo and remove the oil pan. Clean out any mud or grass inside the oil pan, then fill it with new engine oil (SAE 10W-30 or equivalent) up to the level line.

Wash the element with a mild detergent and dry it. Then, soak it in new engine oil, shake off excess oil, and reassemble it.

### Dry type cleaners



Remove the screws shown in the photo and open the cover.

There are two elements, so tap both of them lightly or blow air from the inside to remove dust. If the product is badly soiled or deteriorated, please replace it with a new one.

After firmly hooking the tabs on the back, tighten the screws and reassemble.

※If you do not have the equipment or tools, please ask your local dealer.