

OREC

Issue No. RM982F-13

Parts Catalog  
RABBIT MOWER

RM983FX  
RM983F  
RM982F



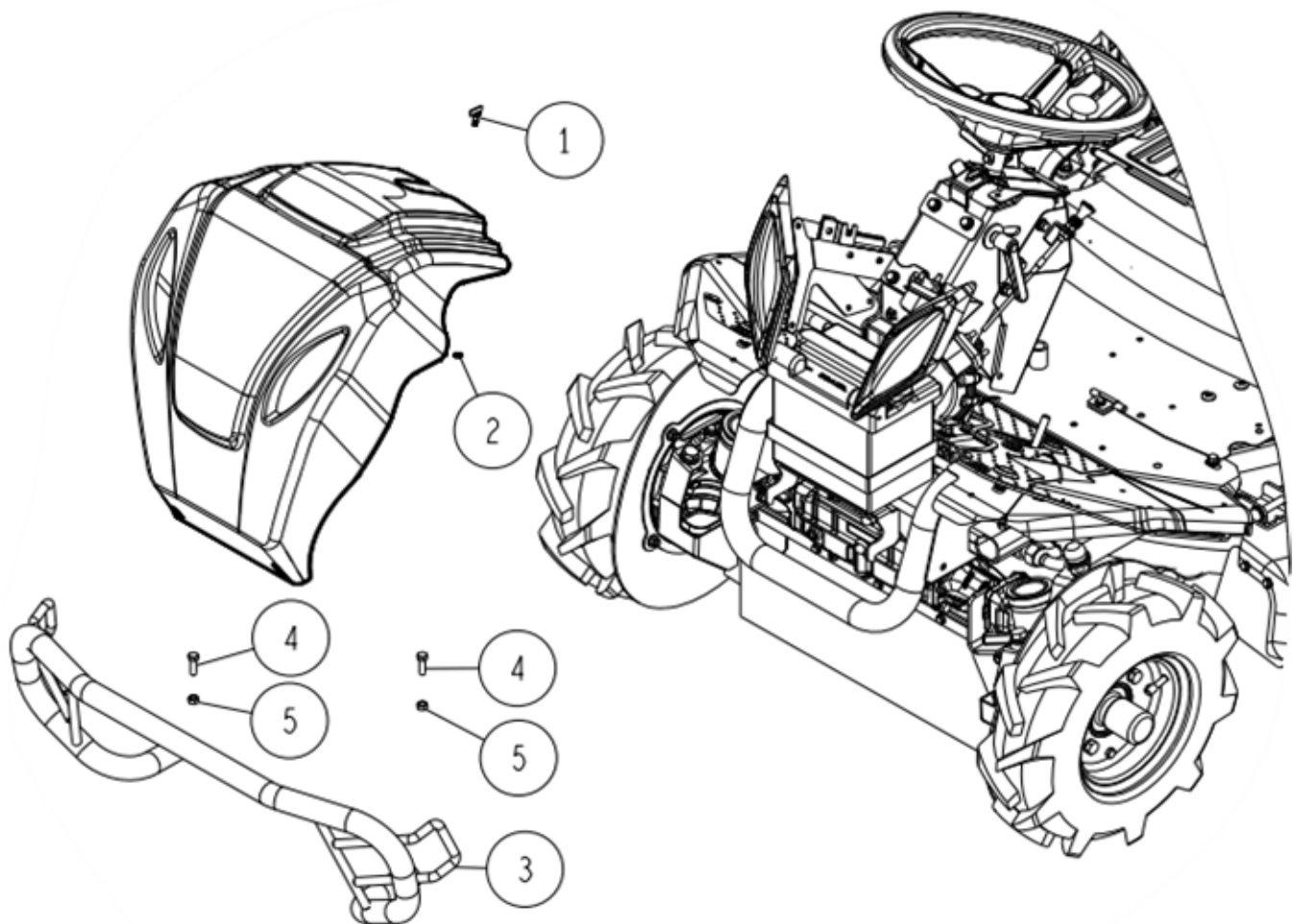
《INDEX》

|                        |     |
|------------------------|-----|
| Frame section .....    | 1   |
| Mission section .....  | 1 5 |
| HST Section .....      | 2 3 |
| Handle section.....    | 2 5 |
| Front section .....    | 2 9 |
| Tire section.....      | 3 4 |
| Control Section .....  | 3 5 |
| Cutting Section .....  | 3 8 |
| Seat Section.....      | 4 4 |
| KAWASAKI Engine .....  | 4 8 |
| B&S Engine .....       | 5 1 |
| Front HST Section..... | 5 4 |
| Label .....            | 6 7 |

OREC CO., LTD.

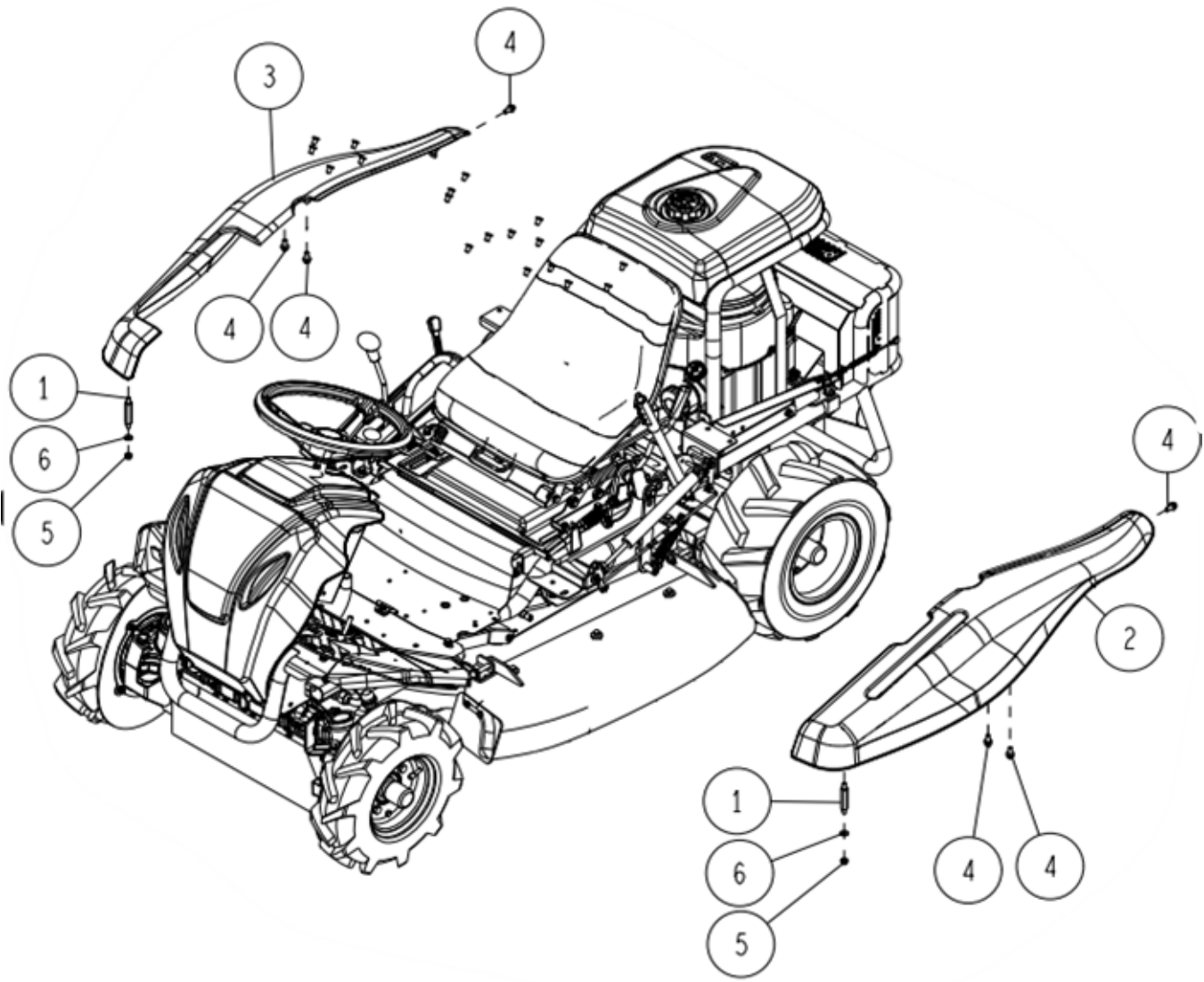
2023/9/22

Frame section 1/14



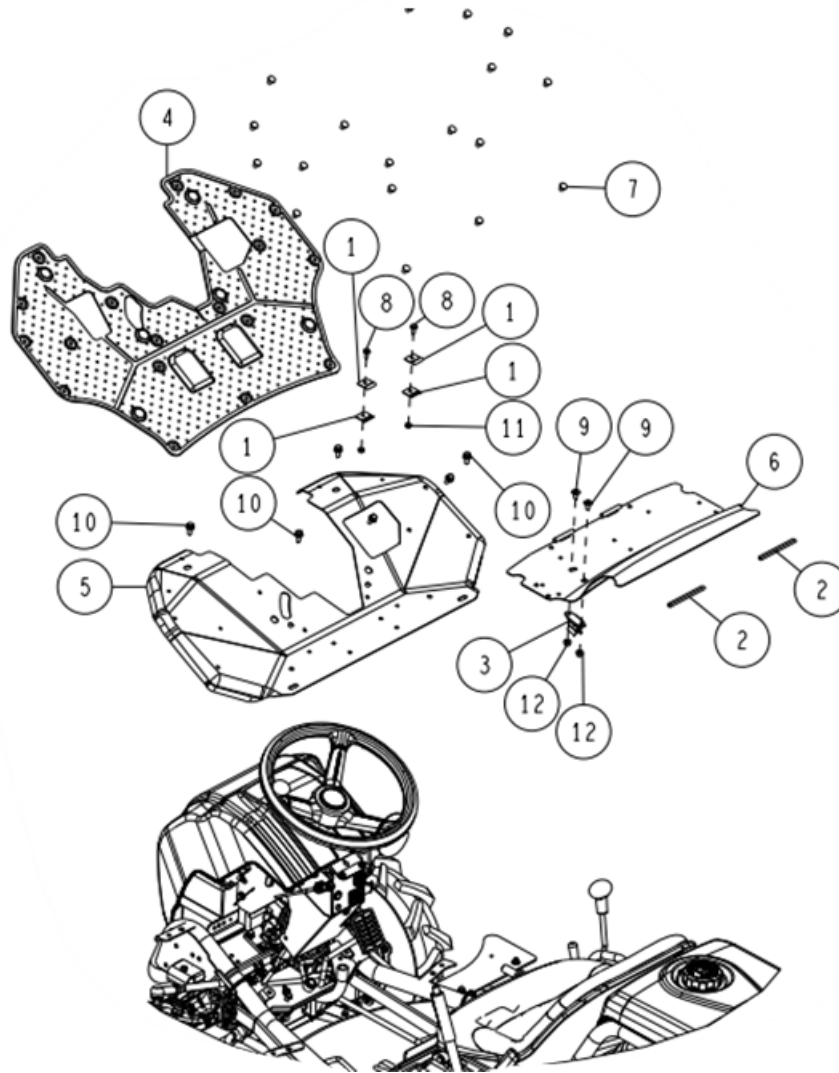
|     |                |                                |          |        |          |
|-----|----------------|--------------------------------|----------|--------|----------|
| 5   | 89-1611-080042 | Mini Hexagonal Nut M8          | 2        | 2      |          |
| 4   | 89-1211-080252 | Mini Hexagonal Bolt M8*25      | 2        | 2      |          |
| 3   | 0347-2060G     | Step Bumper CMP (Green)        | 1        |        | OR       |
|     | 0347-2060H     | Step Bumper CMP (Metaric Grey) | 1        |        | IA·YB    |
|     | 0347-20603     | Step Bumper CMP (Grey)         |          | 1      | OR·IA·YB |
| 2   | 0322-71700     | Retainer                       | 1        | 1      |          |
| 1   | 0322-71200     | Wing Stud $\phi$ 6*14          | 1        | 1      |          |
| No. | Parts Code     | Name of the Parts              | RM983F/X | RM982F | Remarks  |
|     |                |                                | Q'ty     |        |          |

Frame section 2/14



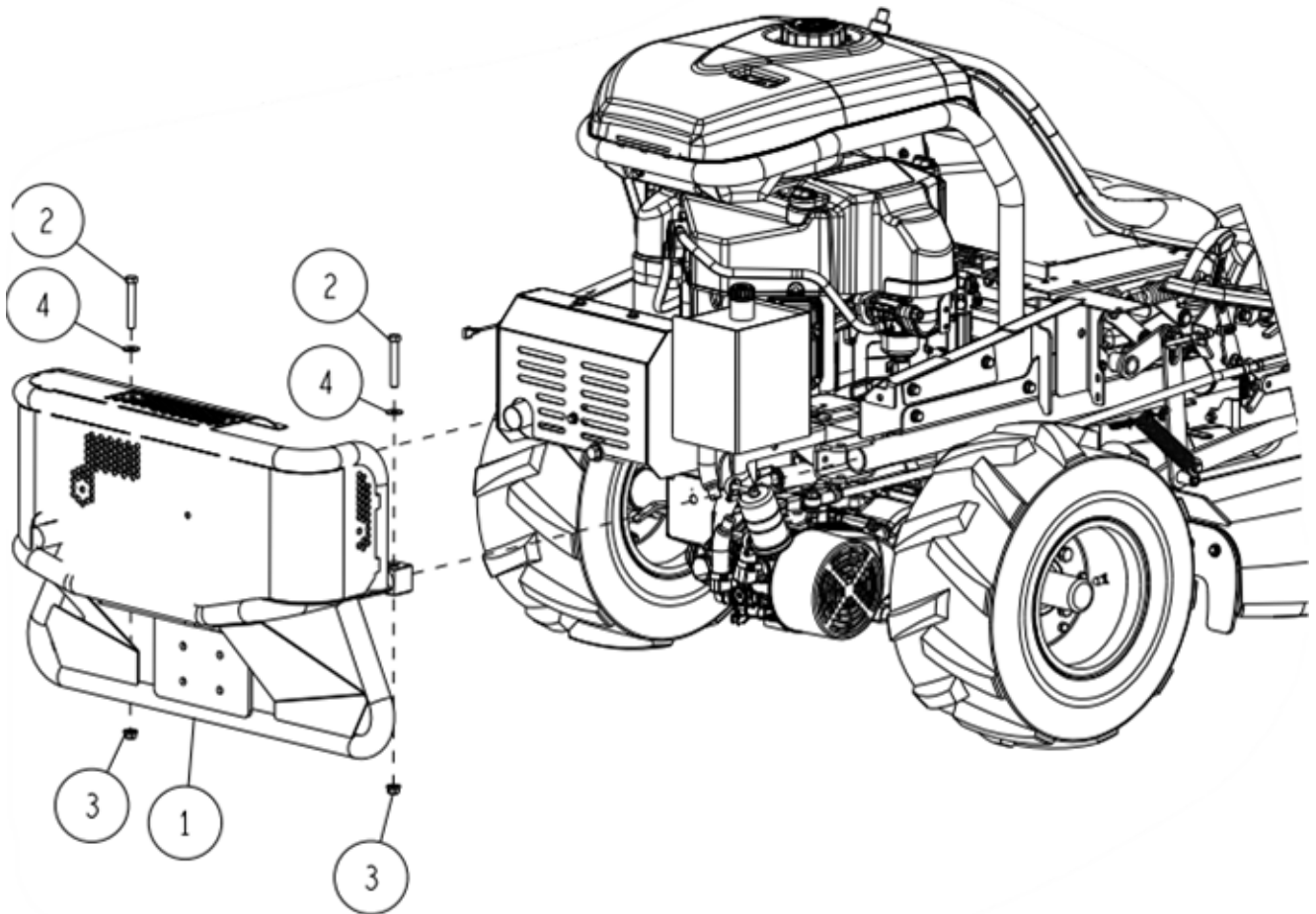
|     |                |                                  |          |        |         |
|-----|----------------|----------------------------------|----------|--------|---------|
| 6   | 89-1714-080002 | Flat Washer 8                    | 2        | 2      |         |
| 5   | 89-1543-080002 | Mini Hexagonal Nut (SW) M8       | 2        | 2      |         |
| 4   | 89-1233-080202 | Mini Hexagonal Bolt (PWSW) M8*20 | 6        | 6      |         |
| 3   | 0342-73500     | Side Cover (R) (White)           | 1        |        | OR      |
|     | 0342-73700     | Side Cover (R) (Blue) IA         | 1        |        | IA      |
|     | 0312-77700     | Side Cover (R) (Blue)            |          | 1      | IA      |
|     | 0312-76700     | Side Cover (R) Red               | 1        | 1      | YB      |
|     | 0312-73300     | Side Cover (R) Green             |          | 1      | OR      |
| 2   | 0342-73600     | Side Cover (L) (White)           | 1        |        | OR      |
|     | 0342-73800     | Side Cover (L) (Blue) IA         | 1        |        | IA      |
|     | 0312-77800     | Side Cover (L) (Blue)            |          | 1      | IA      |
|     | 0312-76800     | Side Cover (L) Red               | 1        | 1      | YB      |
|     | 0312-73200     | Side Cover (L) Green             |          | 1      | OR      |
| 1   | 0267-40900     | Double Spring Bolt M             | 2        | 2      |         |
| No. | Parts Code     | Name of the Parts                | RM983F/X | RM982F | Remarks |
|     |                |                                  | Q'ty     |        |         |

Frame section 3/14



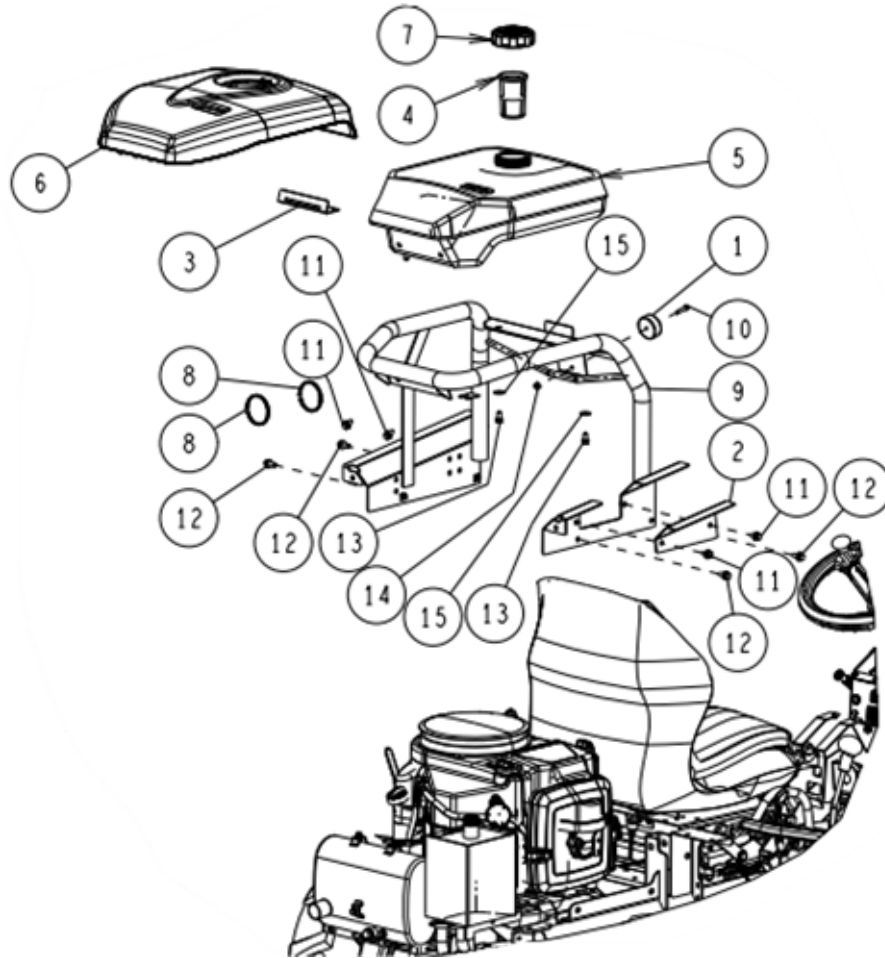
|     |                |                                  |          |        |         |
|-----|----------------|----------------------------------|----------|--------|---------|
| 12  | 89-1543-080002 | Mini Hexagonal Nut (SW) M8       | 2        | 2      |         |
| 11  | 89-1531-060042 | Flange Nut M6                    | 2        | 2      |         |
| 10  | 89-1233-080202 | Mini Hexagonal Bolt (PWSW) M8*20 | 6        | 6      |         |
| 9   | 89-1159-080168 | Truss Mini Screw M8*16           | 2        | 2      |         |
| 8   | 89-1137-060172 | Hexagonal Bolt (PW) M6*17        | 2        | 2      |         |
| 7   | 83-1484-369-00 | Clip (5347)                      | 18       | 18     |         |
| 6   | 0348-2520G     | Center Step CMP (Green)          | 1        |        | OR      |
|     | 0348-2520H     | Center Step CMP (Metallic Grey)  | 1        |        | YB      |
|     | 0348-25205     | Center Step CMP (Yellow Green)   |          | 1      | OR      |
|     | 0348-25203     | Center Step CMP (Grey)           |          | 1      | YB      |
|     | 0348-25201     | Center Step CMP (White)          | 1        | 1      | IA      |
| 5   | 0348-2510G     | Step (Green)                     | 1        |        | OR      |
|     | 0348-2510H     | Step (Metallic Grey)             | 1        |        | IA-YB   |
|     | 0347-25105     | Step (Yellow Green)              |          | 1      | OR      |
|     | 0347-25102     | Step (Red)                       |          | 1      | YB      |
|     | 0347-25101     | Step (White)                     |          | 1      | IA      |
| 4   | 0341-70100     | Step Rubber                      | 1        | 1      |         |
| 3   | 0312-70700     | Bonnet Clip                      | 1        | 1      |         |
| 2   | 0301-60400     | Rubber 110L                      | 2        | 2      |         |
| 1   | 0028-70500     | Center Step Hinge                | 4        | 4      |         |
| No. | Parts Code     | Name of the Parts                | RM983F/X | RM982F | Remarks |
|     |                |                                  | Q'ty     |        |         |

Frame section 4/14



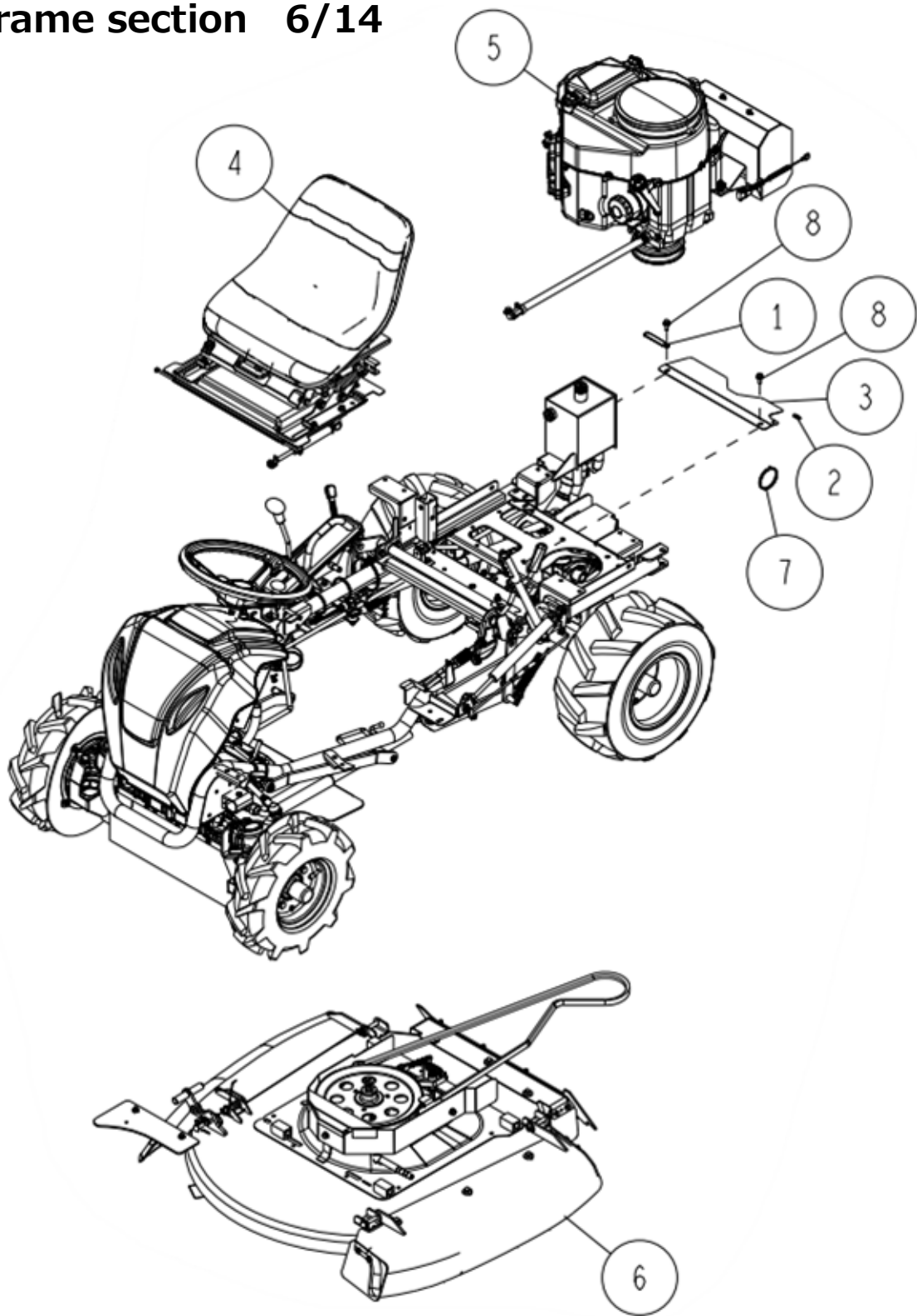
|     |                |                                 |          |        |         |
|-----|----------------|---------------------------------|----------|--------|---------|
| 4   | 89-1714-100002 | Flat Washer 10                  | 2        | 2      |         |
| 3   | 89-1631-100042 | Flange Mini Hexagonal Nut M10   | 2        | 2      |         |
| 2   | 89-1213-100652 | Mini Hexagonal Bolt (8T) M10*65 | 2        | 2      |         |
| 1   | 0347-2030G     | Sub Frame CMP (Green)           | 1        |        | OR      |
|     | 0347-2030H     | Sub Frame CMP (Metallic Grey)   | 1        |        | IA-YB   |
|     | 0347-20303     | Sub Frame CMP (Grey)            |          | 1      |         |
| No. | Parts Code     | Name of the Parts               | RM983F/X | RM982F | Remarks |
|     |                |                                 | Q'ty     |        |         |

## Frame section 5/14



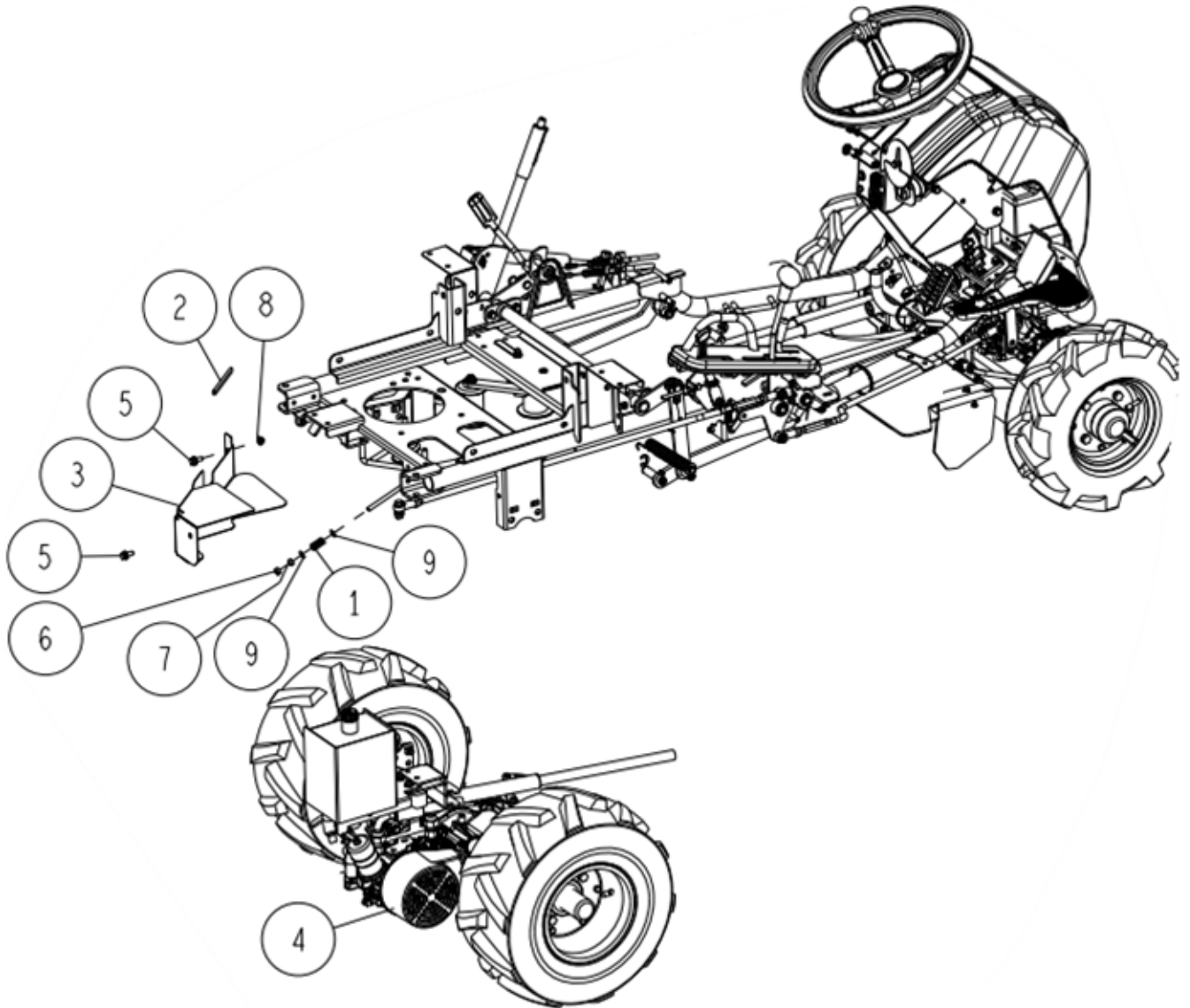
|     |                |                                       |          |        |         |
|-----|----------------|---------------------------------------|----------|--------|---------|
| -   | 0322-71000     | Fuel Tank Assy                        | 1        | 1      | 4、5、7   |
| 15  | 89-1716-080002 | Flat Washer 8*22*1.6                  | 2        | 2      |         |
| 14  | 89-1531-060042 | Flange Nut M6                         | 1        | 1      |         |
| 13  | 89-1232-080162 | Mini Hexagonal Bolt (SW) M8*16        | 2        | 2      |         |
| 12  | 89-1233-080202 | Mini Hexagonal Bolt (PWSW) M8*20      | 4        | 4      |         |
| 11  | 89-1233-080162 | Mini Hexagonal Bolt (PWSW) M8*16      | 4        | 4      |         |
| 10  | 89-1111-060252 | Hexagonal Bolt M6*25                  | 1        | 1      |         |
| 9   | 0348-2030G     | Fuel Tank Holder CMP (Green)          | 1        |        | OR      |
|     | 0348-2030H     | Fuel Tank Holder CMP (Metallic Grey)  | 1        |        | IA      |
|     | 0348-20306     | Fuel Tank Holder CMP (Blue)           |          | 1      | IA      |
|     | 0348-20302     | Fuel Tank Holder CMP (Red)            | 1        | 1      | YB      |
|     | 0348-20301     | Fuel Tank Holder CMP (White)          |          | 1      | OR      |
| 8   | 0341-71200     | Wire Band 200L (Black)                | 2        | 2      | Black   |
| 7   | 0322-76000     | Fuel Tank Cap Assy (with valve)       | 1        | 1      |         |
| 6   | 0322-73400     | Tank Cover Red                        | 1        | 1      | YB      |
|     | 0322-73200     | Tank Cover White                      | 1        | 1      | OR·IA   |
| 5   | 0322-71800     | Fuel Tank (with Fuel Gauge)           | 1        | 1      |         |
| 4   | 0322-70700     | Fuel Filter                           | 1        | 1      |         |
| 3   | 0322-60402     | Fuel Tank Cover Stay (Red)            | 1        | 1      | YB      |
|     | 0322-60401     | Fuel Tank Cover Stay (White)          | 1        | 1      | OR·IA   |
| 2   | 0322-6020G     | Rear Fender Cover (R) (Green)         | 1        |        | OR      |
|     | 0322-6020H     | Rear Fender Cover (R) (Metallic Grey) | 1        |        | IA      |
|     | 0322-60206     | Rear Fender Cover (R) (Blue)          |          | 1      | IA      |
|     | 0322-60202     | Rear Fender Cover (R) (Red)           | 1        | 1      | YB      |
|     | 0322-60201     | Rear Fender Cover (R) (White)         |          | 1      | OR      |
| 1   | 80-1920-306-00 | Stopper Rubber B-4                    | 1        | 1      |         |
| No. | Parts Code     | Name of the Parts                     | RM983F/X | RM982F | Remarks |
|     |                |                                       | Q'ty     |        |         |

Frame section 6/14



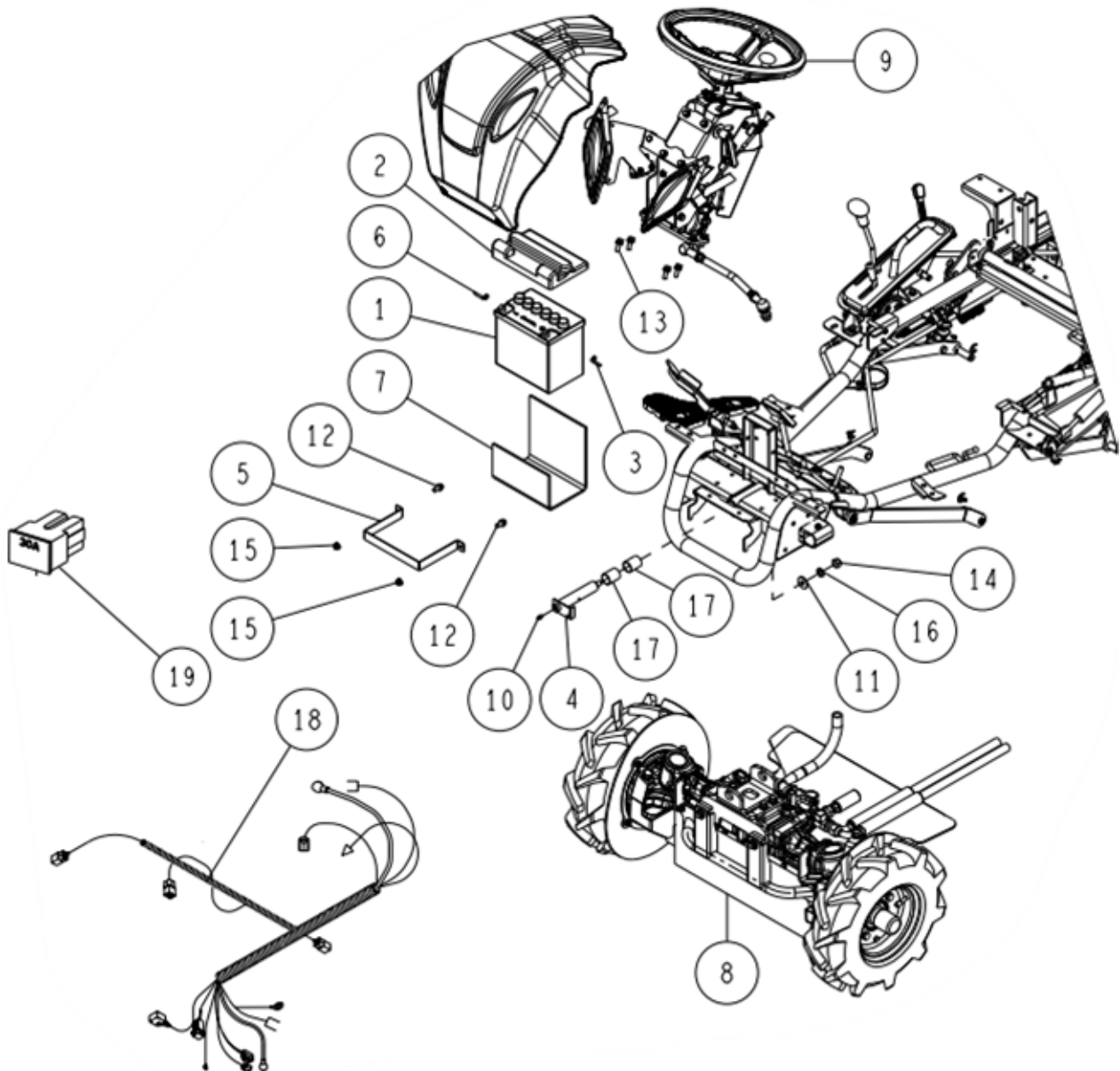
|     |                |                                  |          |        |              |
|-----|----------------|----------------------------------|----------|--------|--------------|
| 8   | 89-1233-080162 | Mini Hexagonal Bolt (PWSW) M8*16 | 2        | 2      |              |
| 7   | 0227-74200     | Wire Band 300                    | 1        | 1      |              |
| 6   | -              | Cutting section                  | 1        | 1      | Details P38~ |
| 5   | -              | Engine section                   | 1        | 1      | Details P48~ |
| 4   | -              | Seat section                     | 1        | 1      | Details P44~ |
| 3   | 0322-2250H     | Upper Belt Cover (Metallic Grey) | 1        | 1      |              |
| 2   | 0229-13100     | Rubber, L20                      | 1        | 1      |              |
| 1   | 80-1792-988-00 | Harness Clip 8                   | 1        | 1      |              |
| No. | Parts Code     | Name of the Parts                | RM983F/X | RM982F | Remarks      |
|     |                |                                  | Q'ty     |        |              |

Frame section 7/14



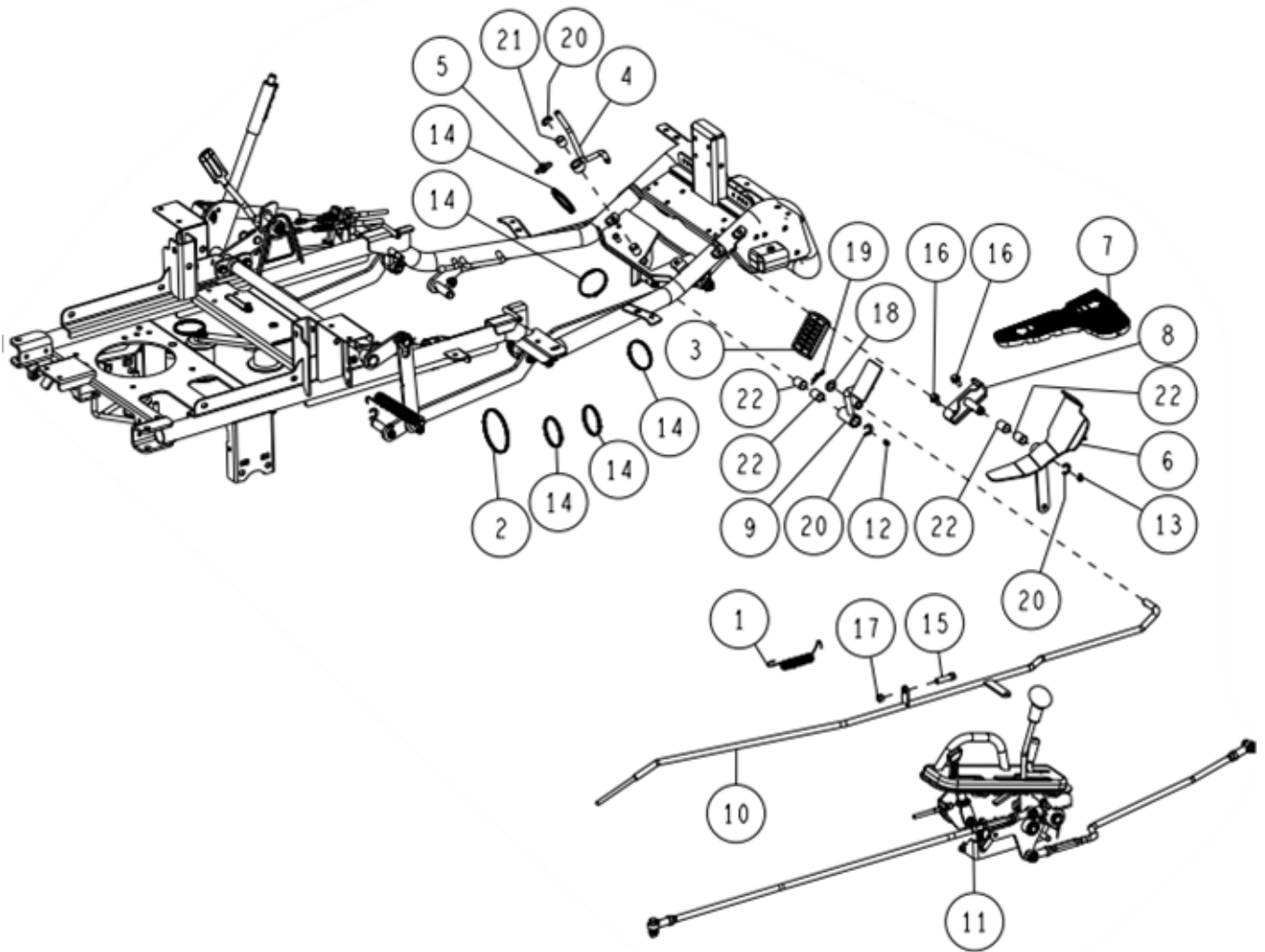
|     |                |                                     |          |        |              |
|-----|----------------|-------------------------------------|----------|--------|--------------|
| 9   | 89-1711-080002 | Flat Washer 8                       | 2        | 2      |              |
| 8   | 89-1631-080042 | Flange Mini Hexagonal Nut M8        | 1        | 1      |              |
| 7   | 89-1611-080042 | Mini Hexagonal Nut M8               | 1        | 1      |              |
| 6   | 89-1561-080002 | Mini Hexagonal U Nut M8             | 1        | 1      |              |
| 5   | 89-1233-080202 | Mini Hexagonal Bolt (PWSW) M8*20    | 2        | 2      |              |
| 4   | -              | Mission HST Section                 | 1        | 1      | Details P15~ |
| 3   | 0347-4210H     | Rear Belt Cover (K) (Metallic Grey) | 1        | 1      |              |
| 2   | 0301-60400     | Rubber 110L                         | 1        | 1      |              |
| 1   | 0207-75400     | Brake Spring 30                     | 1        | 1      |              |
| No. | Parts Code     | Name of the Parts                   | RM983F/X | RM982F | Remarks      |
|     |                |                                     | Q'ty     |        |              |

## Frame section 8/14



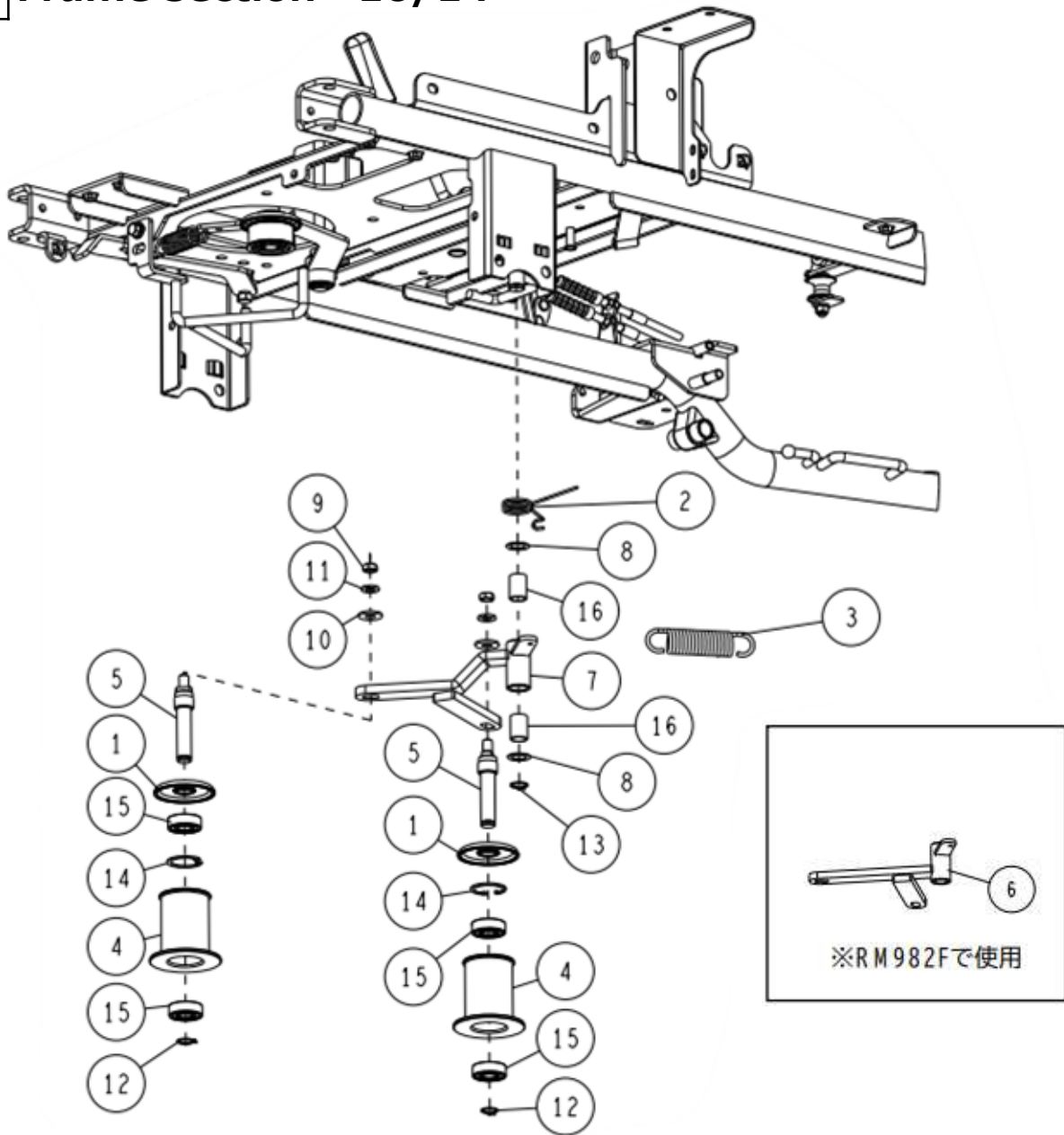
|     |                |                                  |          |        |              |
|-----|----------------|----------------------------------|----------|--------|--------------|
| 19  | 0312-75900     | Fuse 30 A                        | 1        | 1      |              |
| 18  | 0347-73100     | Wire Harness Long (RM982F/K)     | 1        | 1      |              |
| 17  | 89-3510-025350 | DU Bush 25.35                    | 2        | 2      |              |
| 16  | 89-1750-120002 | Spring Washer 12                 | 1        | 1      |              |
| 15  | 89-1631-080042 | Flange Mini Hexagonal Nut M8     | 3        | 3      |              |
| 14  | 89-1551-120002 | Hexagonal U Nut M12              | 1        | 1      |              |
| 13  | 89-1236-080252 | Mini Hexagonal Bolt (PWSW) M8*25 | 4        | 4      |              |
| 12  | 89-1233-080202 | Mini Hexagonal Bolt (PWSW) M8*20 | 2        | 2      |              |
| 11  | 83-1481-328-00 | Washer 12*30*3.2                 | 1        | 1      |              |
| 10  | 83-1415-975-00 | Grease Nipple M6                 | 1        | 1      |              |
| 9   | -              | Handle Section                   | 1        | 1      | Details P25~ |
| 8   | -              | Front Section                    | 1        | 1      | Details P29~ |
| 7   | 0322-72300     | Cushion Rubber (Battery)         | 1        | 1      |              |
| 6   | 0322-72200     | Battery Minus Cord               | 1        | 1      |              |
| 5   | 0322-2220H     | Battery Holder (Metallic Grey)   | 1        | 1      |              |
| 4   | 0227-32200     | Center Pin CMP (RM980F)          | 1        | 1      |              |
| 3   | 0207-77100     | Battery Plus Cord 230            | 1        | 1      |              |
| 2   | 0207-63200     | Battery Cover                    | 1        | 1      |              |
| 1   | 80-1792-976-00 | Battery (32A-19L)                | 1        | 1      |              |
| No. | Parts Code     | Name of the Parts                | RM983F/X | RM982F | Remarks      |
|     |                |                                  | Q'ty     |        |              |

Frame section 9/14



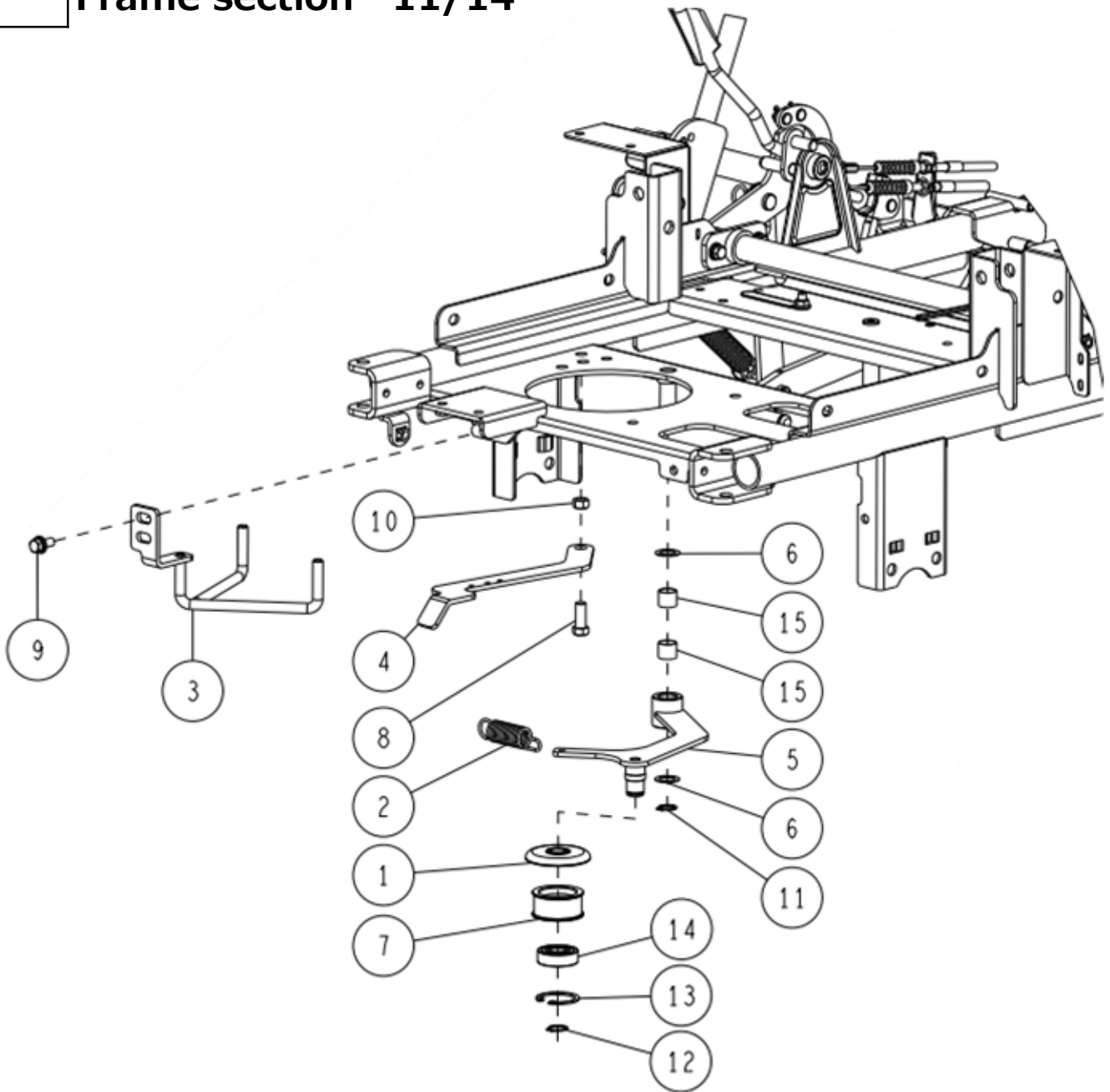
|     |                |                                  |          |        |              |
|-----|----------------|----------------------------------|----------|--------|--------------|
| 22  | 89-3510-016250 | DU Bush 16.25                    | 4        | 4      |              |
| 21  | 89-3510-016150 | DU Bush 16.15                    | 1        | 1      |              |
| 20  | 89-2521-000120 | E Type Ring 12                   | 2        | 2      |              |
| 19  | 89-2131-120002 | Snap Pin 12                      | 1        | 1      |              |
| 18  | 89-1711-120002 | Flat Washer 12                   | 1        | 1      |              |
| 17  | 89-1611-100042 | Mini Hexagonal Nut M10           | 1        | 1      |              |
| 16  | 89-1233-080202 | Mini Hexagonal Bolt (PWSW) M8*20 | 2        | 2      |              |
| 15  | 89-1213-100352 | Mini Hexagonal Bolt (8T) M10*35  | 1        | 1      |              |
| 14  | 83-1711-719-00 | Wire Band 200L                   | 5        | 5      |              |
| 13  | 83-1515-975-00 | Grease Nipple C-Type M6          | 1        | 1      |              |
| 12  | 83-1415-975-00 | Grease Nipple M6                 | 1        | 1      |              |
| 11  | -              | Control Section                  | 1        | 1      | Details P35~ |
| 10  | 0347-12100     | Brake Rod CMP                    | 1        | 1      |              |
| 9   | 0347-1040H     | Brake Pedal CMP (Metallic Grey)  | 1        | 1      |              |
| 8   | 0347-1010H     | Pedal Stay CMP (Metallic Grey)   | 1        | 1      |              |
| 7   | 0341-70200     | Change Pedal Rubber              | 1        | 1      |              |
| 6   | 0341-1031H     | Change Pedal CMP (Metallic Grey) | 1        | 1      |              |
| 5   | 0312-23200     | Brake Stopper Return Spring      | 1        | 1      |              |
| 4   | 0312-23100     | Brake Stopper CMP                | 1        | 1      |              |
| 3   | 0310-73700     | Pedal Rubber                     | 1        | 1      |              |
| 2   | 0227-74200     | Wire Band 300                    | 1        | 1      |              |
| 1   | 80-1493-354-00 | Rod Return Spring                | 1        | 1      |              |
| No. | Parts Code     | Name of the Parts                | RM983F/X | RM982F | Remarks      |
|     |                |                                  | Q'ty     |        |              |

Frame section 10/14



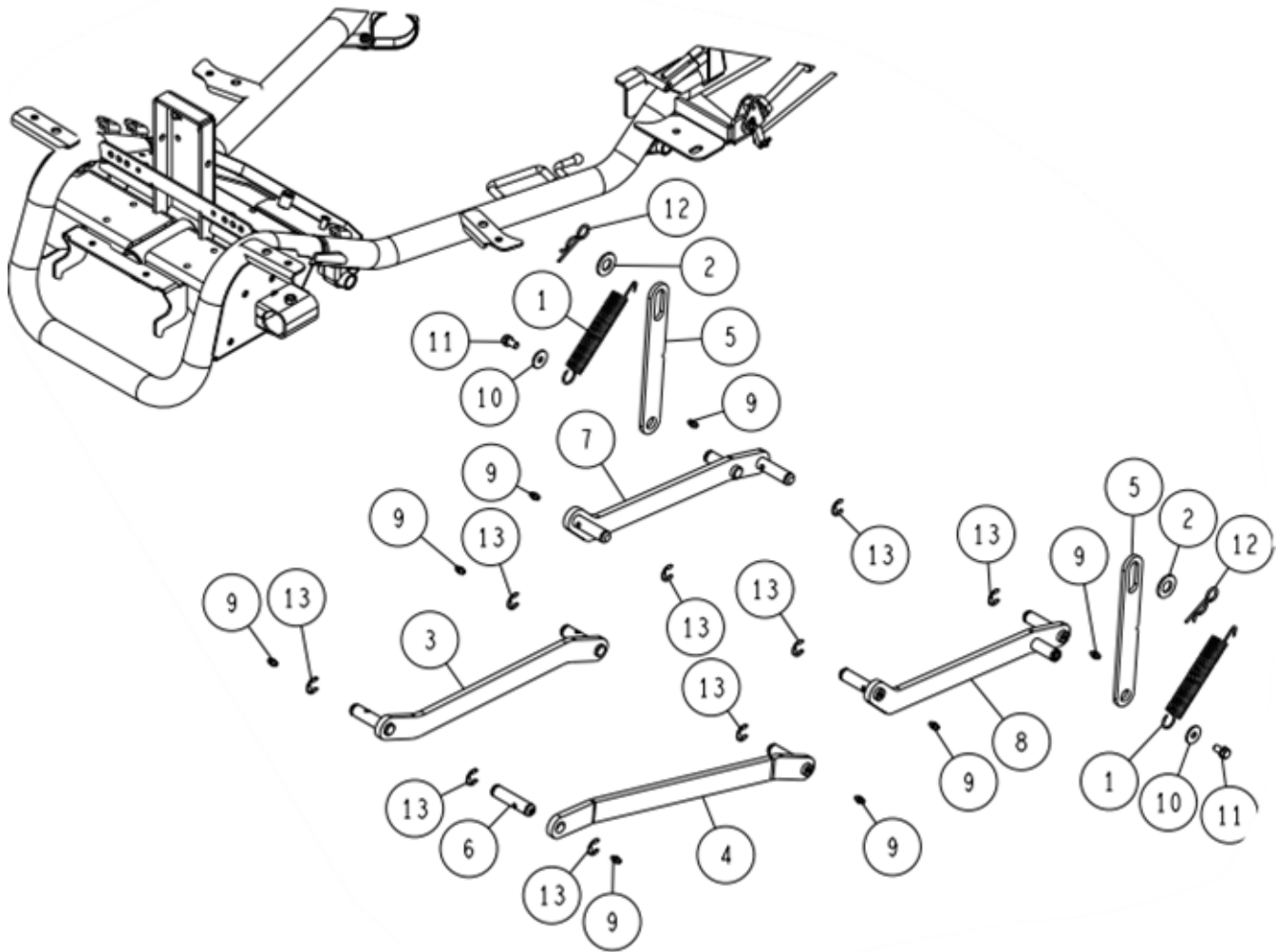
|     |                |   |          |        |                 |
|-----|----------------|---|----------|--------|-----------------|
| -   | 0227-41000     | Knife Tension Pulley (A) Set                  | 1        | 1      | 4、5、11、13、14×2ヶ |
| 16  | 89-3510-016250 | DU Bush 16.25                                 | 2        | 2      |                 |
| 15  | 89-3115-062024 | Bearing 6202 2RS                              | 4        | 4      |                 |
| 14  | 89-2512-000350 | Snap Ring (R35)                               | 2        | 2      |                 |
| 13  | 89-2511-000160 | Snap Ring (S16)                               | 1        | 1      |                 |
| 12  | 89-2511-000150 | Snap Ring (S15)                               | 2        | 2      |                 |
| 11  | 89-1750-100002 | Spring Washer 10                              | 2        | 2      |                 |
| 10  | 89-1713-100002 | Flat Washer 10 (large)                        | 2        | 2      |                 |
| 9   | 89-1613-100042 | Mini Hexagonal Nut (3 sorts) M10              | 2        | 2      |                 |
| 8   | 83-1020-363-00 | Thrust Washer 16*24*1.0                       | 2        | 2      |                 |
| 7   | 0347-4140H     | Knife Tension Arm CMP (Metallic Grey)         | 1        |        |                 |
| 6   | 0329-4120H     | Knife Tension Arm CMP(RMK150) (Metallic Grey) |          | 1      |                 |
| 5   | 0244-42800     | Tension Idler Shaft                           | 2        | 2      |                 |
| 4   | 0227-40300     | Knife Tension Pulley (A)                      | 2        | 2      |                 |
| 3   | 0207-78400     | Spring For Knife Tension Return               | 1        | 1      |                 |
| 2   | 80-1483-568-00 | Knife Tension Return Spring φ29.0             | 1        | 1      |                 |
| 1   | 80-1482-549-00 | Rubber Cover 58                               | 2        | 2      |                 |
| No. | Parts Code     | Name of the Parts                             | RM983F/X | RM982F | Remarks         |
|     |                |   | Q'ty     |        |                 |

Frame section 11/14



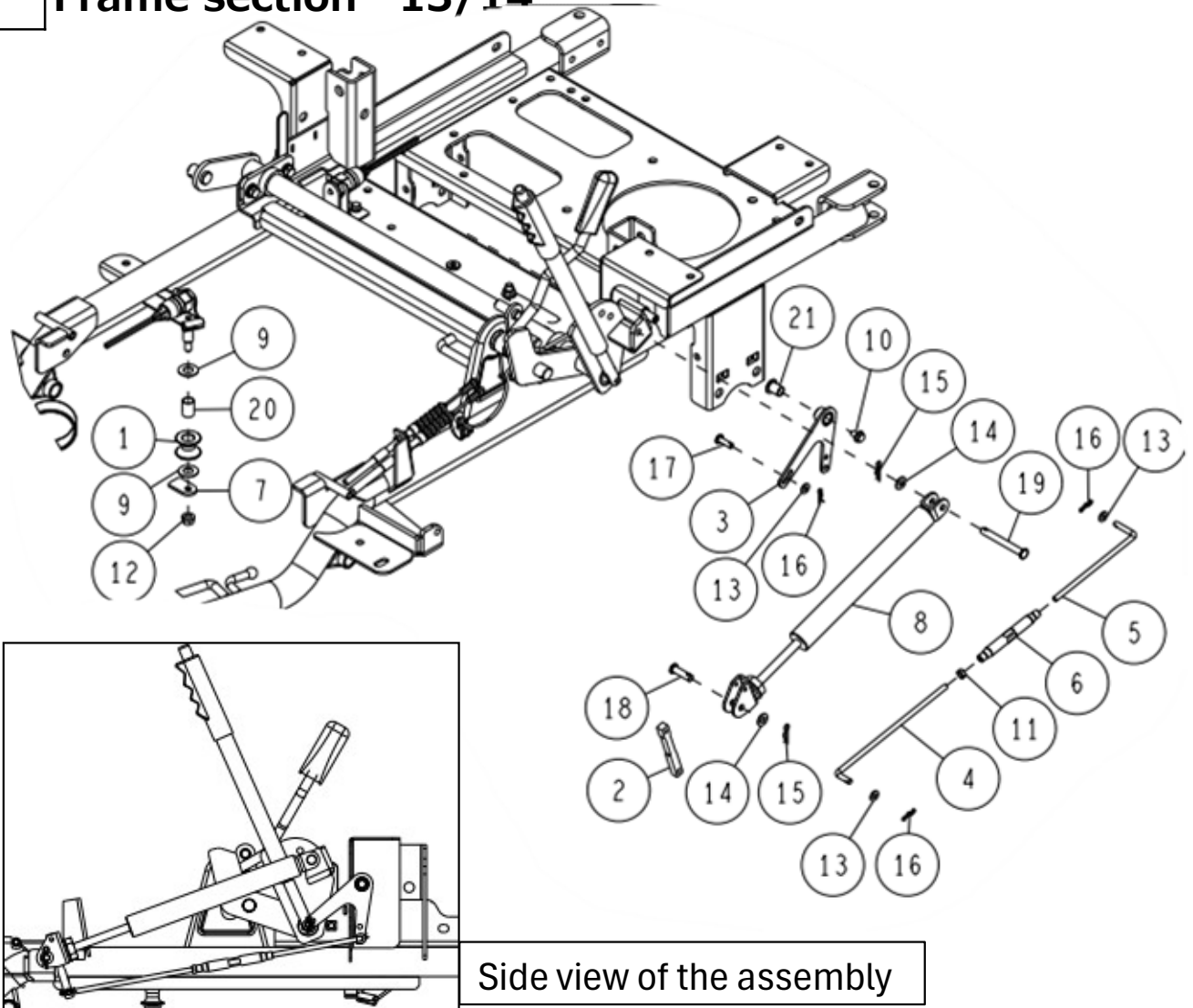
|     |                |  |          |        |         |
|-----|----------------|--|----------|--------|---------|
| -   | 83-1032-760-00 | Tension Pulley Assy                        | 1        | 1      | 7、13、14 |
| 15  | 89-3510-016150 | DU Bush 16.15                              | 2        | 2      |         |
| 14  | 89-3115-062034 | Bearing 6203 2RS                           | 1        | 1      |         |
| 13  | 89-2512-000400 | Snap Ring (R40)                            | 1        | 1      |         |
| 12  | 89-2511-000170 | Snap Ring (S17)                            | 1        | 1      |         |
| 11  | 89-2511-000160 | Snap Ring (S16)                            | 1        | 1      |         |
| 10  | 89-1611-100042 | Mini Hexagonal Nut M10                     | 1        | 1      |         |
| 9   | 89-1233-080202 | Mini Hexagonal Bolt (PWSW) M8*20           | 1        | 1      |         |
| 8   | 89-1211-100252 | Mini Hexagonal Bolt M10*25                 | 1        | 1      |         |
| 7   | 83-1032-765-00 | Tension Pulley                             | 1        | 1      |         |
| 6   | 83-1020-363-00 | Thrust Washer 16*24*1.0                    | 2        | 2      |         |
| 5   | 0347-4110H     | Driving Tension Arm CMP (Metallic Grey)    | 1        | 1      |         |
| 4   | 0322-4140H     | Driving Tension Spring Arm (Metallic Grey) | 1        | 1      |         |
| 3   | 0312-4140H     | Belt Holder CMP (Metallic Grey)            | 1        | 1      |         |
| 2   | 80-1485-551-00 | Driving Tension Spring                     | 1        | 1      |         |
| 1   | 80-1482-549-00 | Rubber Cover 58                            | 1        | 1      |         |
| No. | Parts Code     | Name of the Parts                          | RM983F/X | RM982F | Remarks |
|     |                |  | Q'ty     |        |         |

# Frame section 12/14



|     |                |  |          |        |         |
|-----|----------------|--|----------|--------|---------|
| -   | 0347-53000     | Link Pin Assy (with Nipple)            | 1        | 1      | 6、9     |
| 13  | 89-2521-000120 | E Type Ring 12                         | 8        | 8      |         |
| 12  | 89-2131-160002 | Snap Pin 16                            | 2        | 2      |         |
| 11  | 89-1232-080162 | Mini Hexagonal Bolt (SW) M8*16         | 2        | 2      |         |
| 10  | 83-1751-311-00 | Flat Washer 8*25*2.3                   | 2        | 2      |         |
| 9   | 83-1415-975-00 | Grease Nipple M6                       | 8        | 8      |         |
| 8   | 0348-5060H     | Rear Link Arm (L) CMP (Metallic Grey)  | 1        | 1      |         |
| 7   | 0348-5050H     | Rear Link Arm (R) CMP (Metallic Grey)  | 1        | 1      |         |
| 6   | 0347-53100     | Link Pin                               | 1        | 1      |         |
| 5   | 0347-5610H     | Connecting Plate (Metallic Grey)       | 2        |        |         |
|     | 0347-5230H     | Connecting Plate (Metallic Grey)       |          | 2      |         |
| 4   | 0347-5220H     | Front Link Arm (L) CMP (Metallic Grey) | 1        | 1      |         |
| 3   | 0347-5210H     | Front Link Arm (R) CMP (Metallic Grey) | 1        | 1      |         |
| 2   | 0207-76800     | Washer 16*32*2.3                       | 2        | 2      |         |
| 1   | 80-1484-276-10 | Spring (Up/Down)                       | 2        | 2      |         |
| No. | Parts Code     | Name of the Parts                      | RM983F/X | RM982F | Remarks |
|     |                |  | Q'ty     |        |         |

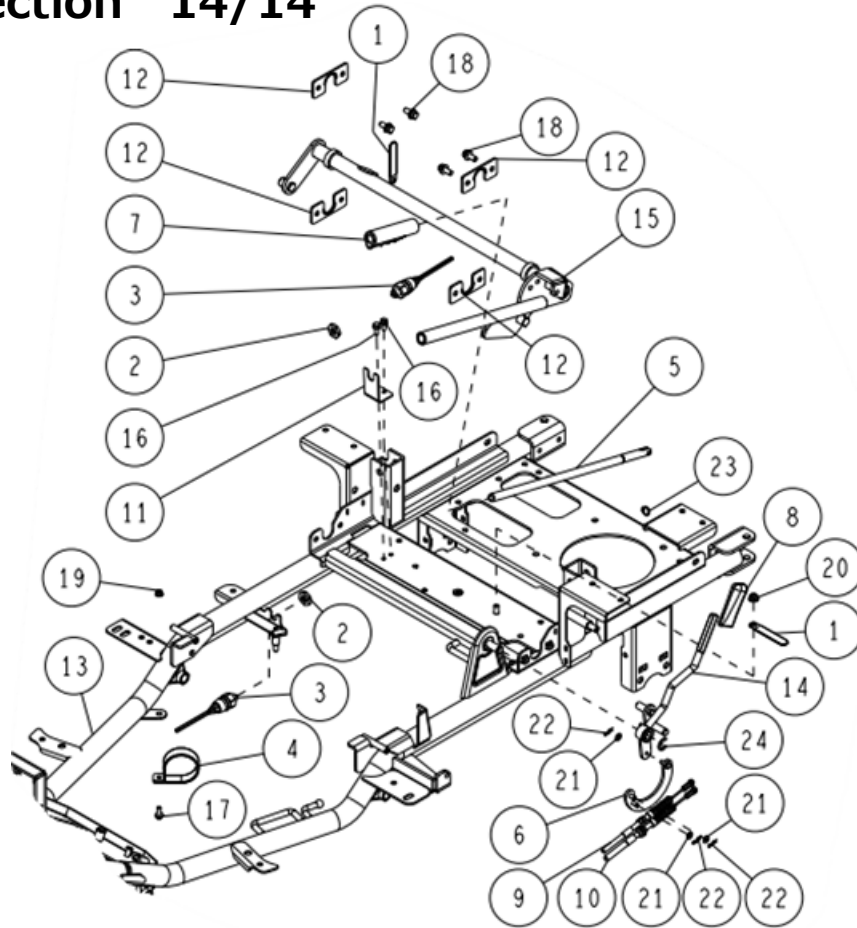
# Frame section 13/14



Side view of the assembly

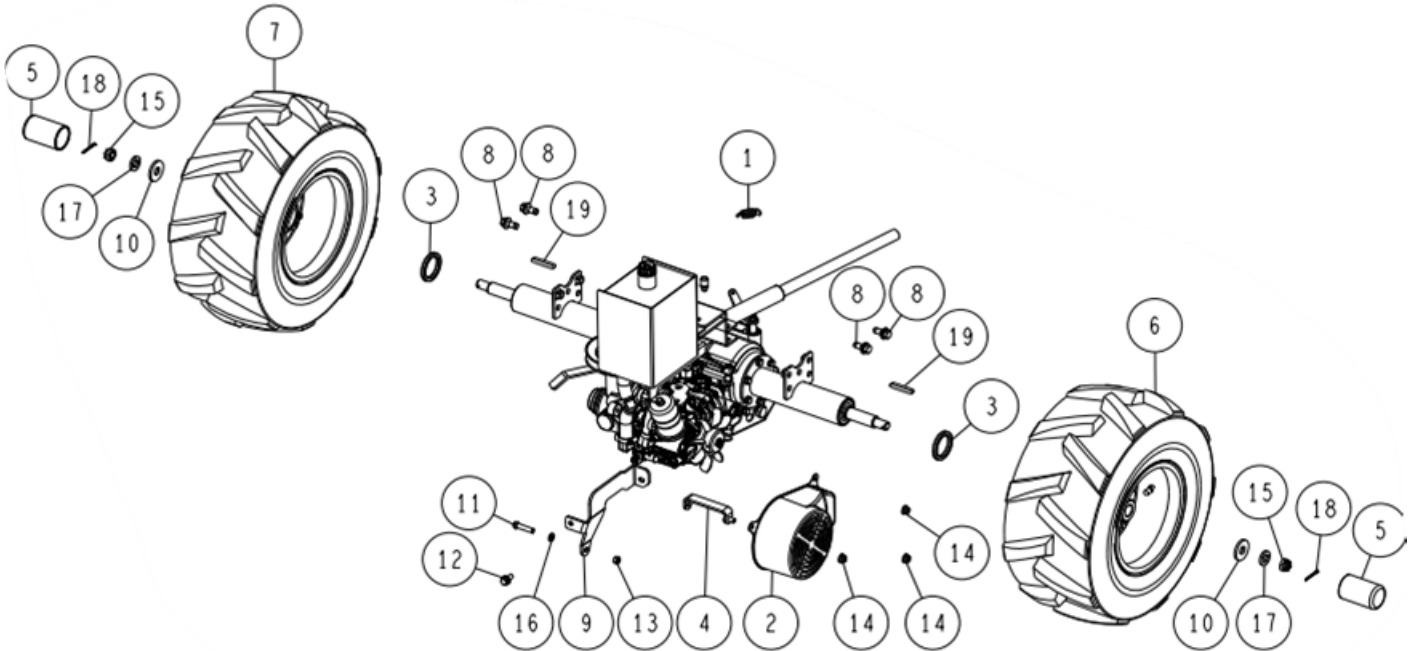
|     |                |  |          |        |             |
|-----|----------------|--|----------|--------|-------------|
| -   | 0322-73700     | Gas Spring Free Lock Type(FLC75- 60) set | 1        | 1      | 2, 8        |
| -   | 0244-11000     | Adjusting Rod Assy                       | 1        | 1      | 4, 5, 6, 11 |
| 21  | 89-3511-010150 | DU Bush 10.15.18F                        | 1        | 1      |             |
| 20  | 89-3510-012200 | DU Bush 12.20                            | 1        | 1      |             |
| 19  | 89-2181-080692 | Flat Head Pin 8*69                       | 1        | 1      |             |
| 18  | 89-2181-080282 | Flat Head Pin 8*28                       | 1        | 1      |             |
| 17  | 89-2181-060202 | Flat Head Pin 6*20                       | 1        | 1      |             |
| 16  | 89-2132-060002 | Snap Pin 6 (with stopper)                | 3        | 3      |             |
| 15  | 89-2131-080002 | Snap Pin 8                               | 2        | 2      |             |
| 14  | 89-1711-080002 | Flat Washer 8                            | 2        | 2      |             |
| 13  | 89-1711-060002 | Flat Washer 6                            | 3        | 3      |             |
| 12  | 89-1543-080002 | Mini Hexagonal Nut (SW) M8               | 1        | 1      |             |
| 11  | 89-1511-060042 | Hexagonal Nut M6                         | 1        | 1      |             |
| 10  | 89-1137-060122 | Hexagonal Bolt (PW) M6*12                | 1        | 1      |             |
| 9   | 83-1020-355-00 | Thrust Washer 12*24*1.0                  | 2        | 2      |             |
| 8   | 0322-73900     | Gas Spring Free Lock Type(FLC75- 60)     | 1        | 1      |             |
| 7   | 0244-22600     | Brake Rod Hung Plate                     | 1        | 1      |             |
| 6   | 0244-11600     | Turn Buckle (Pipe Type)                  | 1        | 1      |             |
| 5   | 0244-11500     | Adjuster Rod (L)                         | 1        | 1      |             |
| 4   | 0244-11400     | Adjuster Rod (R)                         | 1        | 1      |             |
| 3   | 0244-11300     | Push Rod Receiver CMP                    | 1        | 1      |             |
| 2   | 0244-10500     | Lock Pusher                              | 1        | 1      |             |
| 1   | 80-1484-354-10 | Brake Rod Roller                         | 1        | 1      |             |
| No. | Parts Code     | Name of the Parts                        | RM983F/X | RM982F | Remarks     |
|     |                |  | Q'ty     |        |             |

# Frame section 14/14



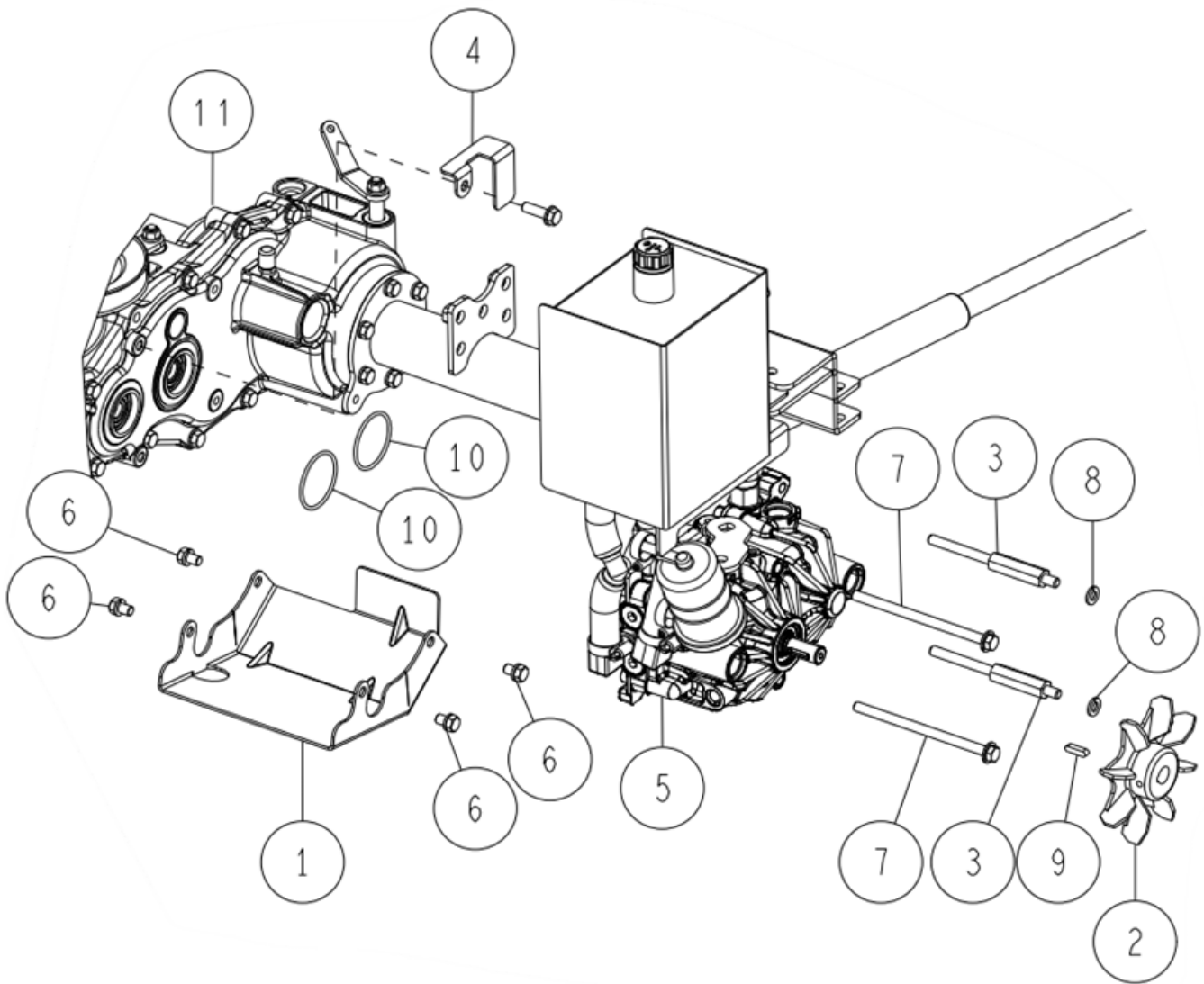
|     |                |   |          |        |             |
|-----|----------------|---|----------|--------|-------------|
| -   | 0244-11200     | Push Rod                                    | 1        | 1      | 5、23        |
| 24  | 89-2521-000120 | E Type Ring 12                              | 1        | 1      |             |
| 23  | 89-2511-000130 | Snap Ring (S13)                             | 1        | 1      |             |
| 22  | 89-2132-060002 | Snap Pin 6 (with stopper)                   | 3        | 3      |             |
| 21  | 89-1711-060002 | Flat Washer 6                               | 3        | 3      |             |
| 20  | 89-1631-080042 | Flange Mini Hexagonal Nut M8                | 1        | 1      |             |
| 19  | 89-1531-060042 | Flange Nut M6                               | 1        | 1      |             |
| 18  | 89-1233-080202 | Mini Hexagonal Bolt (PWSW) M8*20            | 4        | 4      |             |
| 17  | 89-1138-060162 | Hexagonal Bolt (SW) M6*16                   | 1        | 1      |             |
| 16  | 89-1132-060162 | Hexagonal Bolt (SW) M6*16                   | 2        | 2      |             |
| 15  | 0348-5041H     | Up/Down Adjusting Shaft CMP (Metallic Grey) | 1        |        | BXAJK00340~ |
|     | 0348-5040H     | Up/Down Adjusting Shaft CMP (Metallic Grey) | 1        |        | ~BXAJJ00339 |
|     | 0348-50401     | Up/Down Adjusting Shaft CMP (White)         |          | 1      |             |
| 14  | 0348-1210H     | Knife Clutch Lever CMP (Metallic Grey)      | 1        |        |             |
|     | 0348-12101     | Knife Clutch Lever CMP (White)              |          | 1      |             |
| 13  | 0347-20103     | Frame CMP (Grey)                            | 1        | 1      |             |
| 12  | 0342-10100     | Up/Down Adjusting Shaft Stay                | 4        | 4      | BXAJJ00330~ |
| 11  | 0322-13300     | Safety Switch Setting Plate                 | 1        | 1      |             |
| 10  | 0322-75110     | Knife Clutch Wire                           | 1        | 1      |             |
| 9   | 0322-75210     | Knife Brake Wire                            | 1        | 1      |             |
| 8   | 0289-71300     | Arm Grip (Red)                              | 1        | 1      |             |
| 7   | 0244-70200     | Adjusting Shaft Grip                        | 1        | 1      |             |
| 6   | 0244-13700     | Wire Joint CMP                              | 1        | 1      |             |
| 5   | 0244-10600     | Push Rod                                    | 1        | 1      |             |
| 4   | 0227-00900     | Wire Band                                   | 1        | 1      |             |
| 3   | 0207-74400     | Safety Switch K17850                        | 2        | 2      |             |
| 2   | 0207-72800     | Switch Lock Nut                             | 2        | 2      |             |
| 1   | 80-1792-988-00 | Harness Clip 8                              | 2        | 2      |             |
| No. | Parts Code     | Name of the Parts                           | RM983F/X | RM982F | Remarks     |
|     |                |   | Q'ty     |        |             |

## Mission Section 1/8



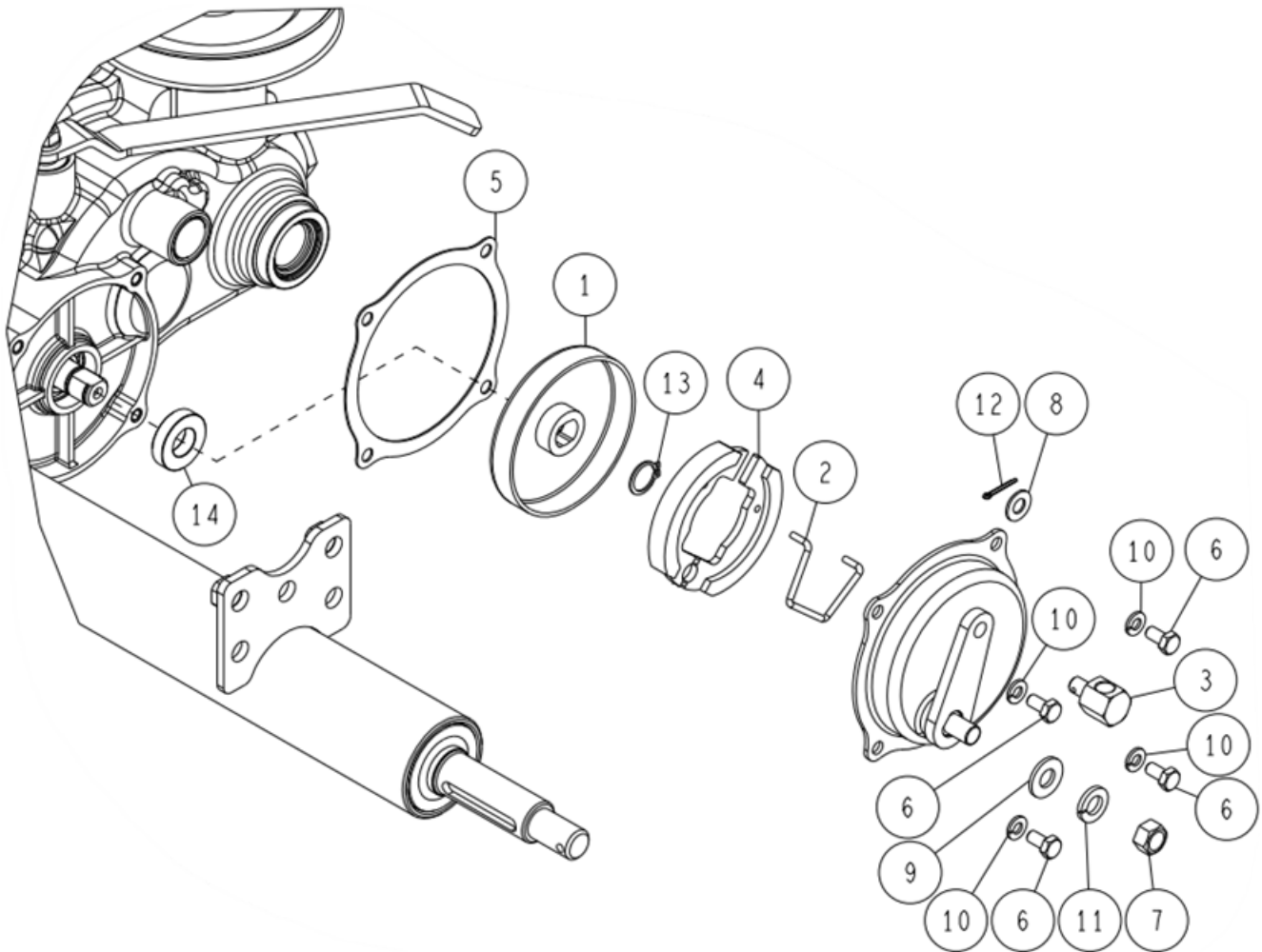
|     |                |  |          |        |             |
|-----|----------------|--|----------|--------|-------------|
| 19  | 89-2150-070500 | Key 7*50 (round)                                   | 2        | 2      |             |
| 18  | 89-2120-350352 | Split Pin 3.5*35                                   | 2        | 2      |             |
| 17  | 89-1750-160002 | Spring Washer 16                                   | 2        | 2      |             |
| 16  | 89-1750-080002 | Spring Washer 8                                    | 1        | 1      |             |
| 15  | 89-1658-160042 | Low Fluted Nut (2 sorts) M16                       | 2        | 2      |             |
| 14  | 89-1631-080042 | Flange Mini Hexagonal Nut M8                       | 3        | 3      |             |
| 13  | 89-1561-080002 | Mini Hexagonal U Nut M8                            | 1        | 1      |             |
| 12  | 89-1233-080202 | Mini Hexagonal Bolt (PWSW) M8*20                   | 1        | 1      |             |
| 11  | 89-1211-080352 | Mini Hexagonal Bolt M8*35                          | 1        | 1      |             |
| 10  | 83-1630-335-00 | Washer 16*40*4.5                                   | 2        | 2      |             |
| 9   | 0347-0110H     | Transmission Hunger Stay CMP (Metallic Grey)       | 1        | 1      |             |
| 8   | 0244-83200     | Mini Hexagonal Bolt (PWSW) M10*25 (7T Lock)        | 4        | 4      |             |
| 7   | 0244-74400     | Rear Tire (L) Assy (17×8.00-8)(Include Wheel Boss) | 1        | 1      | Details P34 |
| 6   | 0244-74300     | Rear Tire (R) Assy (17×8.00-8)(Include Wheel Boss) | 1        | 1      | Details P34 |
| 5   | 0227-70600     | Rear Wheel Cap (φ 42*75L)                          | 2        | 2      |             |
| 4   | 0227-0220H     | Fan Cover Setting CMP (RM980F) (Metallic Grey)     | 1        | 1      |             |
| 3   | 0207-77800     | Wheel Boss Dust Seal                               | 2        | 2      |             |
| 2   | 0207-0720H     | Fan Cover CMP (Metallic Grey)                      | 1        | 1      |             |
| 1   | 80-1425-551-00 | Differential Lock Spring                           | 1        | 1      |             |
| No. | Parts Code     | Name of the Parts                                  | RM983F/X | RM982F | Remarks     |
|     |                |  | Q'ty     |        |             |

Mission Section 2/8



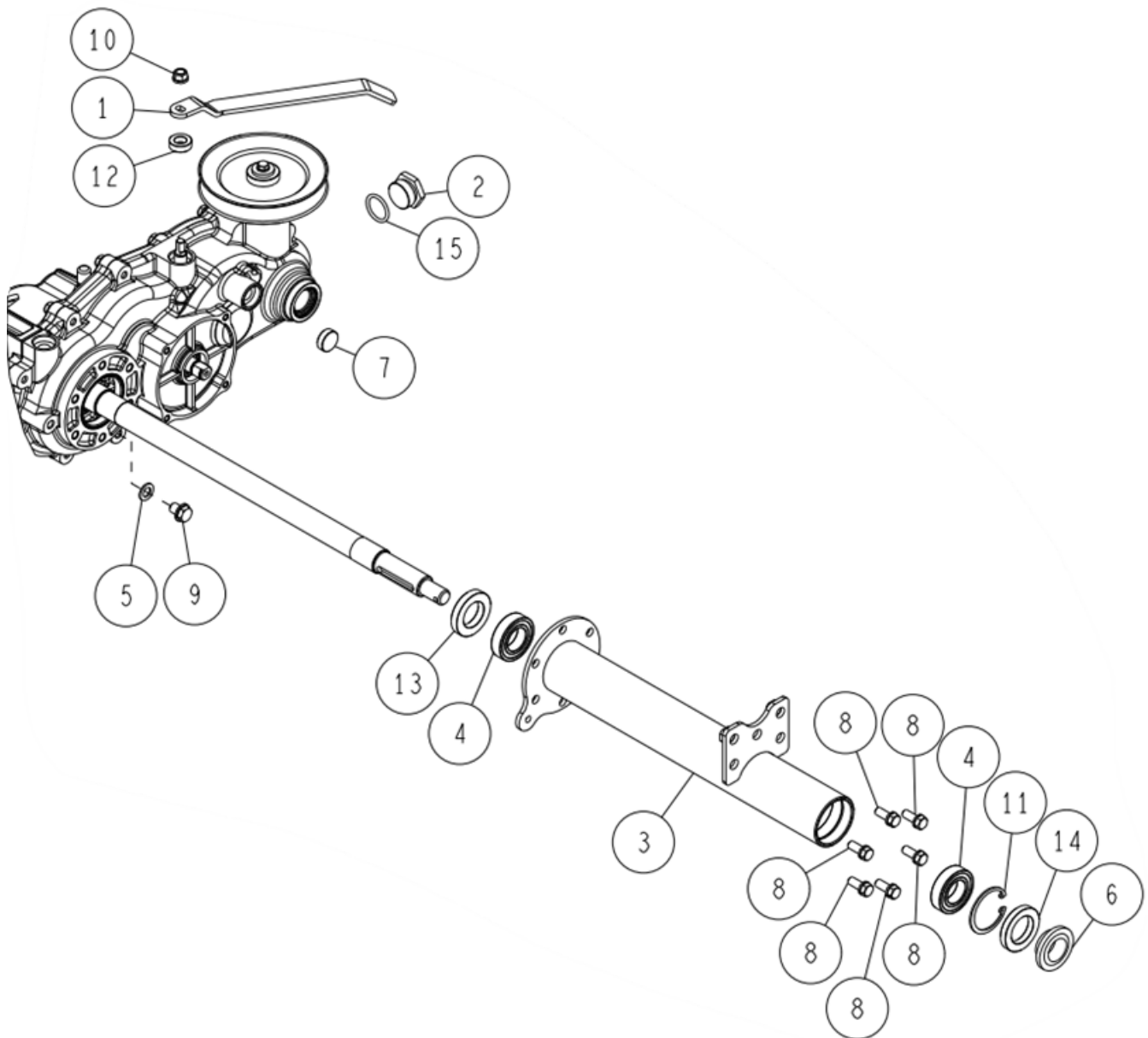
|     |                |                                   |          |        |              |
|-----|----------------|-----------------------------------|----------|--------|--------------|
| 11  | 0347-09100     | Transmission Assy (without HST)   | 1        | 1      |              |
| 10  | 89-5222-045000 | O Ring G45                        | 2        | 2      |              |
| 9   | 89-2150-050200 | Key 5*20 (round)                  | 1        | 1      |              |
| 8   | 89-1750-080002 | Spring Washer 8                   | 2        | 2      |              |
| 7   | 89-1251-081123 | Flange Mini Hexagonal Bolt M8*112 | 2        | 2      |              |
| 6   | 89-1235-080122 | Mini Hexagonal Bolt (SW) M8*12    | 4        | 4      |              |
| 5   | -              | HSTSection                        | 1        | 1      | Details P23~ |
| 4   | 0342-00100     | Seal Cap Holder                   | 1        | 1      |              |
| 3   | 0227-02300     | Double Spring Bolt 125            | 2        | 2      |              |
| 2   | 0227-00300     | Fan (RM980F)                      | 1        | 1      |              |
| 1   | 0207-0310H     | Mission Guard CMP (Metallic Grey) | 1        | 1      |              |
| No. | Parts Code     | Name of the Parts                 | RM983F/X | RM982F | Remarks      |
|     |                |                                   | Q'ty     |        |              |

## Mission Section 3/8



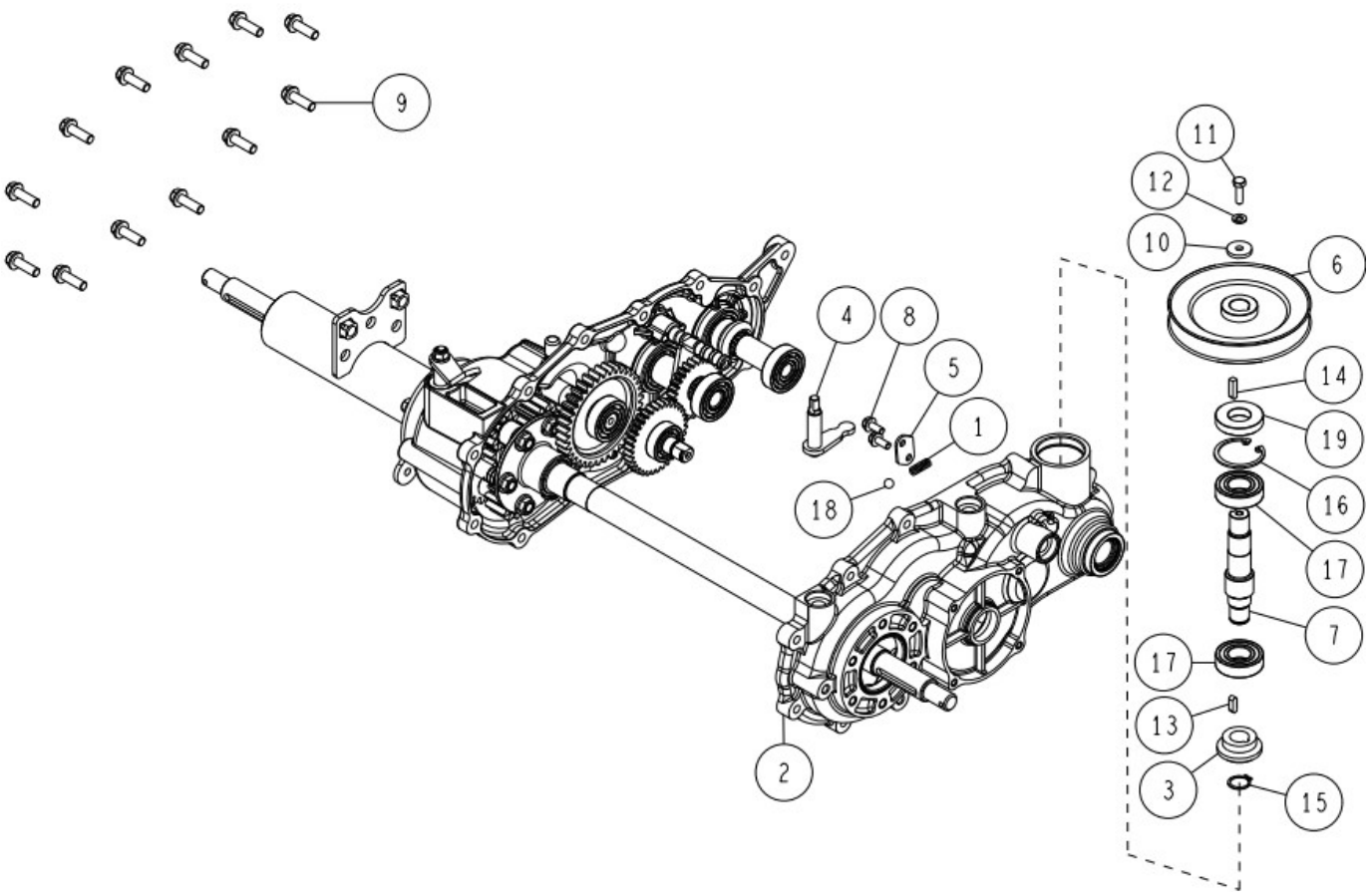
|     |                |                                      |          |        |                          |
|-----|----------------|--------------------------------------|----------|--------|--------------------------|
| -   | 0207-73000     | Brake Assy                           | 1        | 1      | 1, 2, 4, 5, 7, 9, 11, 15 |
| -   | 0207-73100     | Brake Cap Assy                       | 1        | 1      | 1, 2, 4, 7, 9, 11, 15    |
| -   | 0207-73200     | Brake Cap Assy (without Drum (PA-7)) | 1        | 1      | 2, 4, 7, 9, 11, 15       |
| 15  | -              | Brake cover & Brake arm              | 1        | 1      |                          |
| 14  | 89-5125-153007 | Oil Seal UE 15.30.07F                | 1        | 1      |                          |
| 13  | 89-2511-000150 | Snap Ring (S15)                      | 1        | 1      |                          |
| 12  | 89-2120-200152 | Split Pin 2*15                       | 1        | 1      |                          |
| 11  | 89-1750-100002 | Spring Washer 10                     | 1        | 1      |                          |
| 10  | 89-1750-060002 | Spring Washer 6                      | 4        | 4      |                          |
| 9   | 89-1712-100000 | Flat Washer 10                       | 1        | 1      |                          |
| 8   | 89-1711-080002 | Flat Washer 8                        | 1        | 1      |                          |
| 7   | 89-1611-100042 | Mini Hexagonal Nut M10               | 1        | 1      |                          |
| 6   | 89-1113-060122 | Hexagonal Bolt (8T) M6*12            | 4        | 4      |                          |
| 5   | 0308-00300     | Brake Cover PK (PA-7)                | 1        | 1      |                          |
| 4   | 0244-88100     | Brake Shoe Set (PA-7)                | 1        | 1      |                          |
| 3   | 0207-10300     | Brake Joint                          | 1        | 1      |                          |
| 2   | 80-1030-285-00 | Spring for Brake Shoe Return         | 1        | 1      |                          |
| 1   | 80-1030-282-00 | Brake Drum (PA-7)                    | 1        | 1      |                          |
| No. | Parts Code     | Name of the Parts                    | RM983F/X | RM982F | Remarks                  |
|     |                |                                      | Q'ty     |        |                          |

## Mission Section 4/8



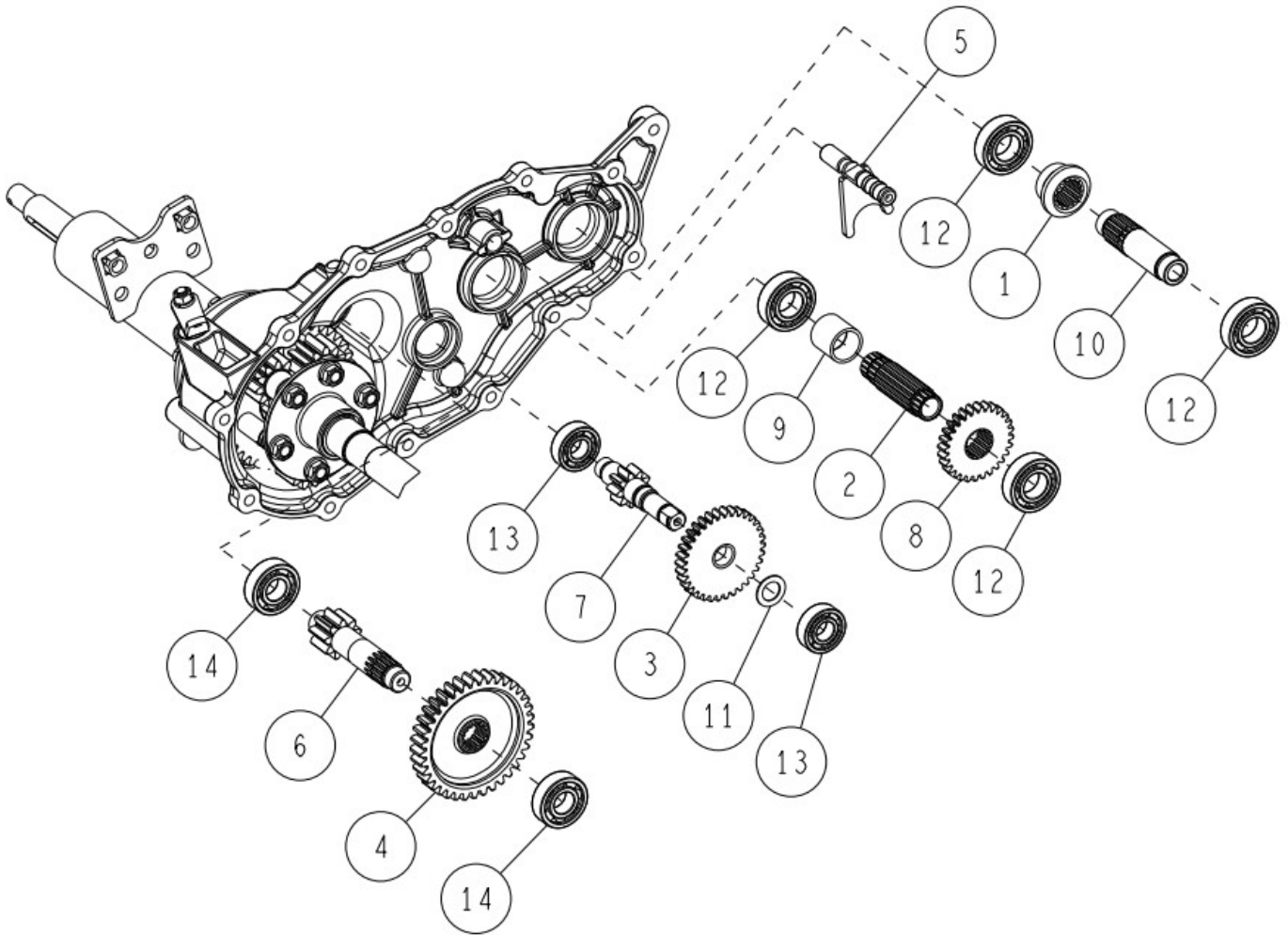
|     |                |   |          |        |         |
|-----|----------------|---|----------|--------|---------|
| -   | 0289-01000     | Oil Plug Assy (with O Ring)                 | 1        | 1      | 2、15    |
| -   | 0244-08000     | Oil Seal 25.47.15(with DP)                  | 1        | 1      | 6、14    |
| 15  | 89-5221-024000 | O Ring P24                                  | 1        | 1      |         |
| 14  | 89-5121-304707 | Oil Seal UE 30.47.7                         | 1        | 1      |         |
| 13  | 89-5121-284708 | Oil Seal UE 28.47.8                         | 1        | 1      |         |
| 12  | 89-5121-122207 | Oil Seal UE 12.22.7                         | 1        | 1      |         |
| 11  | 89-2512-000470 | Snap Ring (R47)                             | 1        | 1      |         |
| 10  | 89-1543-080002 | Mini Hexagonal Nut (SW) M8                  | 1        | 1      |         |
| 9   | 89-1252-100122 | Flange Mini Hexagonal Bolt M10*12 (slender) | 1        | 1      |         |
| 8   | 89-1232-080202 | Mini Hexagonal Bolt (SW) M8*20              | 6        | 6      |         |
| 7   | 83-1415-671-00 | Blind Cover 22                              | 1        | 1      |         |
| 6   | 83-1415-663-00 | Oil Seal DP 25.30.15                        | 1        | 1      |         |
| 5   | 83-1020-349-00 | Copper Packing 10.5*18*1.6                  | 1        | 1      |         |
| 4   | 0342-77800     | Bearing 6005 2NSE-NB                        | 2        | 2      |         |
| 3   | 0312-0110H     | Axle Case (L) CMP (Metallic Grey)           | 1        | 1      |         |
| 2   | 0289-01100     | Oil Plug Assy (without O Ring)              | 1        | 1      |         |
| 1   | 0215-0010H     | Driving Clutch Arm (Metallic Grey)          | 1        | 1      |         |
| No. | Parts Code     | Name of the Parts                           | RM983F/X | RM982F | Remarks |
|     |                |   | Q'ty     |        |         |

## Mission Section 5/8



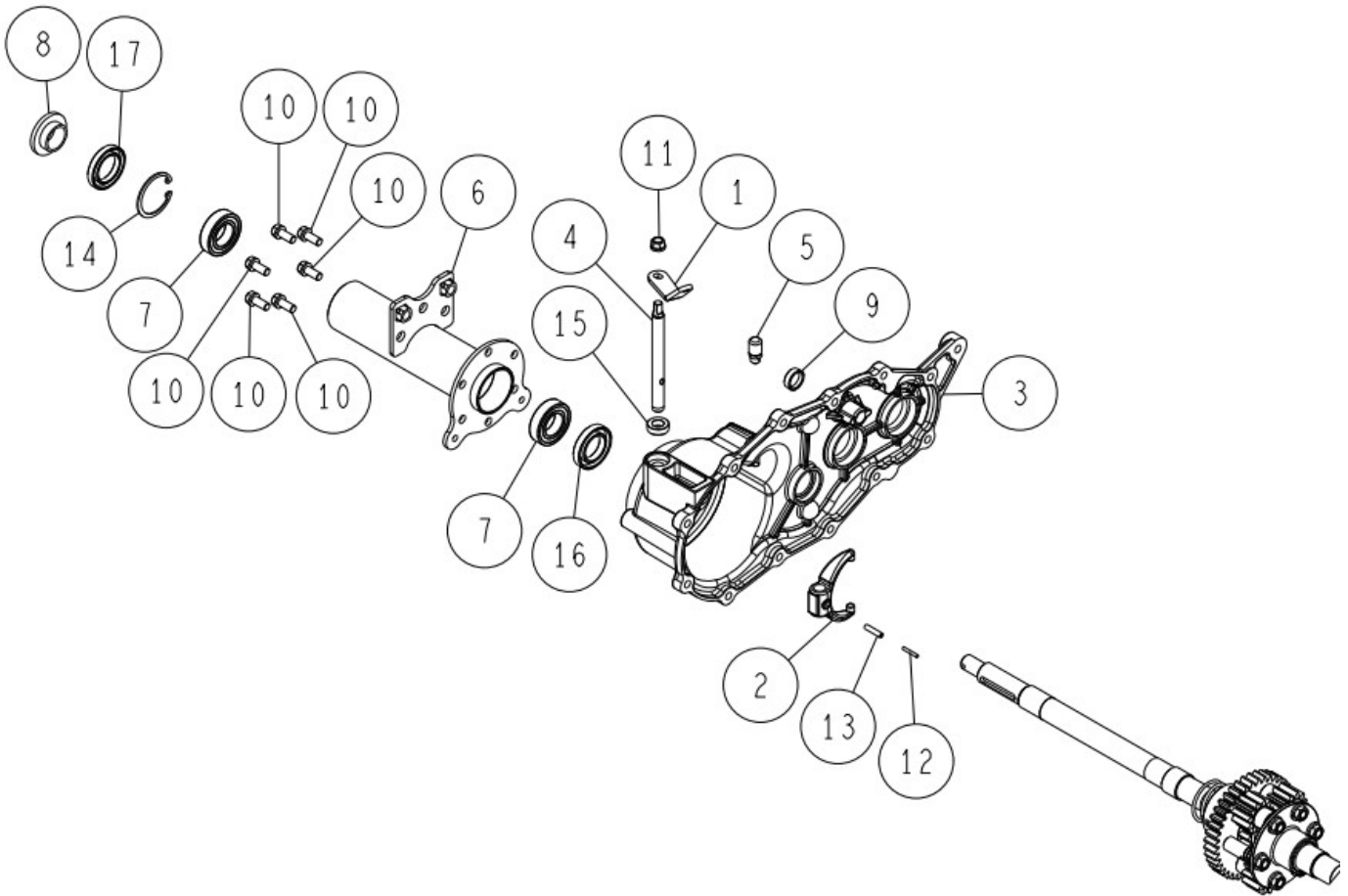
|     |                |                                     |          |        |         |
|-----|----------------|-------------------------------------|----------|--------|---------|
| 19  | 89-5121-204208 | Oil Seal UE 20.42.8                 | 1        | 1      |         |
| 18  | 89-3410-080000 | Steel Ball 8.0                      | 1        | 1      |         |
| 17  | 89-3115-060044 | Bearing 6004 2RS                    | 2        | 2      |         |
| 16  | 89-2512-000420 | Snap Ring (R42)                     | 1        | 1      |         |
| 15  | 89-2511-000170 | Snap Ring (S17)                     | 1        | 1      |         |
| 14  | 89-2151-050200 | Key 5*20 (half round)               | 1        | 1      |         |
| 13  | 89-2150-050160 | Key 5*16 (round)                    | 1        | 1      |         |
| 12  | 89-1750-060002 | Spring Washer 6                     | 1        | 1      |         |
| 11  | 89-1113-060202 | Hexagonal Bolt (8T) M6*20           | 1        | 1      |         |
| 10  | 83-1482-311-00 | Washer 6.5*22*3.2                   | 1        | 1      |         |
| 9   | 83-1482-143-00 | Tapping Bolt M8*25                  | 12       | 12     |         |
| 8   | 83-1020-148-00 | Tapping Bolt M6*14                  | 2        | 2      |         |
| 7   | 0281-00300     | A Axle                              | 1        | 1      |         |
| 6   | 0207-4020H     | Transmission Pulley (Metallic Grey) | 1        | 1      |         |
| 5   | 0207-01900     | Shift Spring Holder                 | 1        | 1      |         |
| 4   | 0207-01700     | Swing Arm CMP                       | 1        | 1      |         |
| 3   | 0207-00400     | 20T Spiral Mita Gear(L)             | 1        | 1      |         |
| 2   | 0207-00100     | Transmission Case(L)                | 1        | 1      |         |
| 1   | 80-1310-138-00 | Spring 1.4                          | 1        | 1      |         |
| No. | Parts Code     | Name of the Parts                   | RM983F/X | RM982F | Remarks |
|     |                |                                     | Q'ty     |        |         |

## Mission Section 6/8



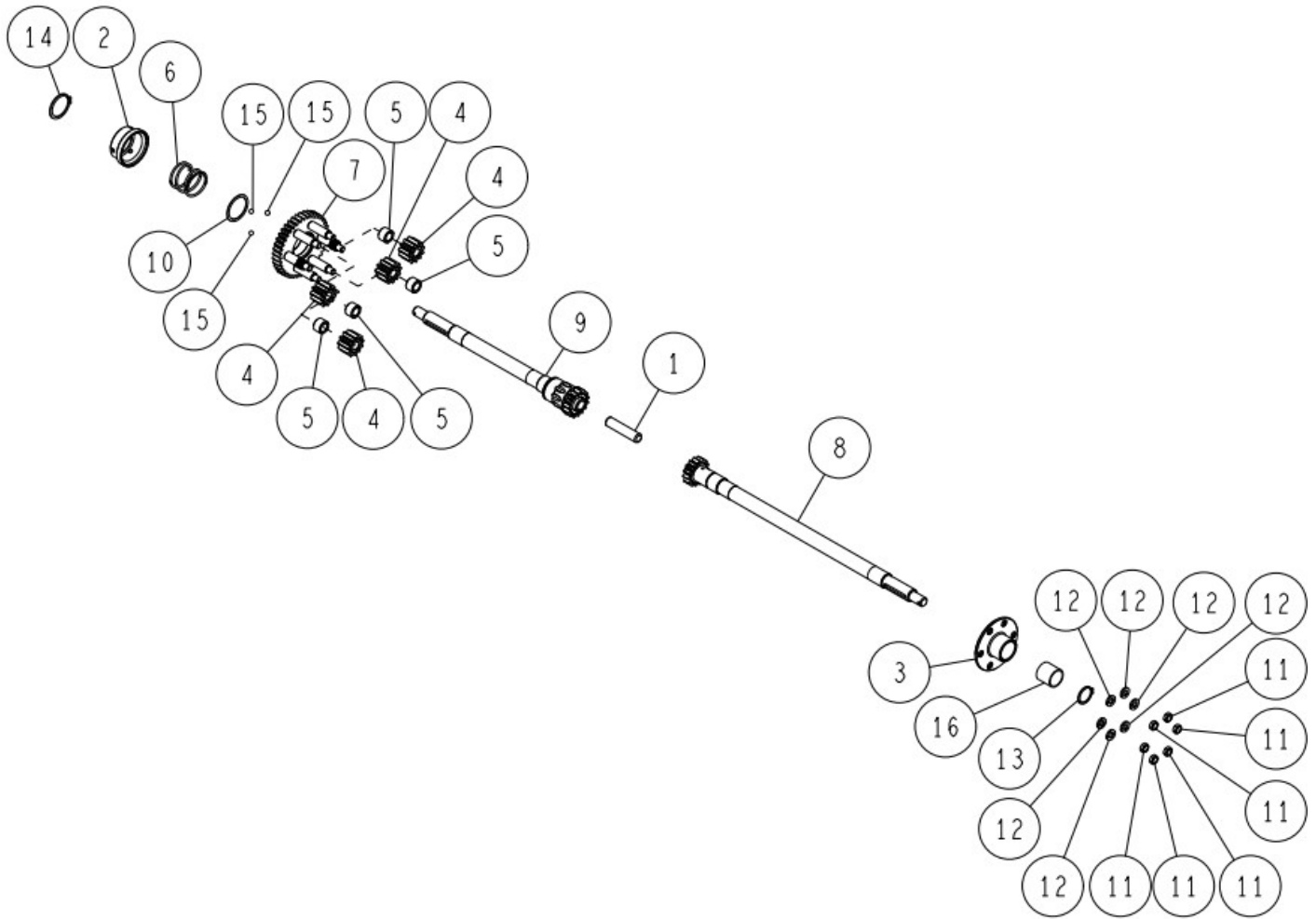
|     |                |                         |          |        |         |
|-----|----------------|-------------------------|----------|--------|---------|
| 14  | 89-3111-062034 | Bearing 6203            | 2        | 2      |         |
| 13  | 89-3111-062024 | Bearing 6202            | 2        | 2      |         |
| 12  | 89-3111-060044 | Bearing 6004            | 4        | 4      |         |
| 11  | 83-1020-361-00 | Thrust Washer 15*24*1.0 | 1        | 1      |         |
| 10  | 0227-00100     | B Axle                  | 1        | 1      |         |
| 9   | 0215-00500     | C Axle Collar 26        | 1        | 1      |         |
| 8   | 0215-00400     | Shift Gear 28           | 1        | 1      |         |
| 7   | 0215-00300     | Brake Shaft             | 1        | 1      |         |
| 6   | 0207-02700     | D Axle                  | 1        | 1      |         |
| 5   | 0207-01600     | Shift Fork Shaft CMP    | 1        | 1      |         |
| 4   | 0207-01400     | D Axle 37T Gear         | 1        | 1      |         |
| 3   | 0207-01310     | Brake Shaft 34T Gear    | 1        | 1      |         |
| 2   | 0207-00700     | C Axle                  | 1        | 1      |         |
| 1   | 0207-00500     | 20T Spiral Mita Gear(R) | 1        | 1      |         |
| No. | Parts Code     | Name of the Parts       | RM983F/X | RM982F | Remarks |
|     |                |                         | Q'ty     |        |         |

## Mission Section 7/8



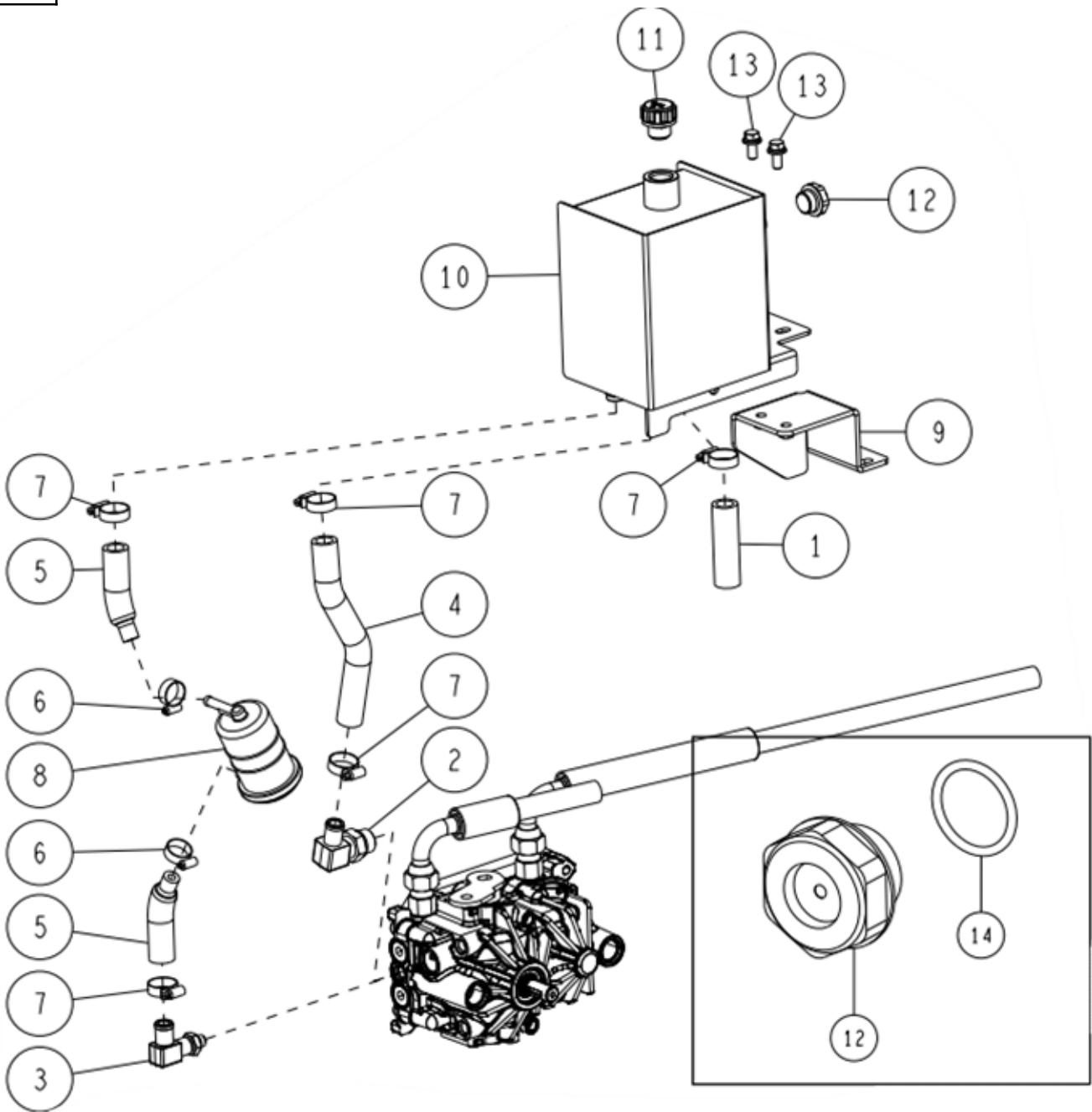
|     |                |                                   |          |        |         |
|-----|----------------|-----------------------------------|----------|--------|---------|
| -   | 0244-08000     | Oil Seal 25.47.15(with DP)        | 1        | 1      | 8、17    |
| 17  | 89-5121-304707 | Oil Seal UE 30.47.7               | 1        | 1      |         |
| 16  | 89-5121-284708 | Oil Seal UE 28.47.8               | 1        | 1      |         |
| 15  | 89-5121-122207 | Oil Seal UE 12.22.7               | 1        | 1      |         |
| 14  | 89-2512-000470 | Snap Ring (R47)                   | 1        | 1      |         |
| 13  | 89-2111-050022 | Spring Pin 5*22                   | 1        | 1      |         |
| 12  | 89-2111-030020 | Spring Pin 3*20                   | 1        | 1      |         |
| 11  | 89-1543-080002 | Mini Hexagonal Nut (SW) M8        | 1        | 1      |         |
| 10  | 89-1232-080202 | Mini Hexagonal Bolt (SW) M8*20    | 6        | 6      |         |
| 9   | 83-1415-671-00 | Blind Cover 22                    | 1        | 1      |         |
| 8   | 83-1415-663-00 | Oil Seal DP 25.30.15              | 1        | 1      |         |
| 7   | 0342-77800     | Bearing 6005 2NSE-NB              | 2        | 2      |         |
| 6   | 0312-0120H     | Axle Case (R) CMP (Metallic Grey) | 1        | 1      |         |
| 5   | 0207-06100     | Air Breather                      | 1        | 1      |         |
| 4   | 0207-01800     | Differential Lock Fork Shaft      | 1        | 1      |         |
| 3   | 0207-00200     | Transmission Case(R)              | 1        | 1      |         |
| 2   | 80-1830-113-00 | Differential Lock Fork            | 1        | 1      |         |
| 1   | 80-1488-153-00 | Differential Lock Arm             | 1        | 1      |         |
| No. | Parts Code     | Name of the Parts                 | RM983F/X | RM982F | Remarks |
|     |                |                                   | Q'ty     |        |         |

# Mission Section 8/8



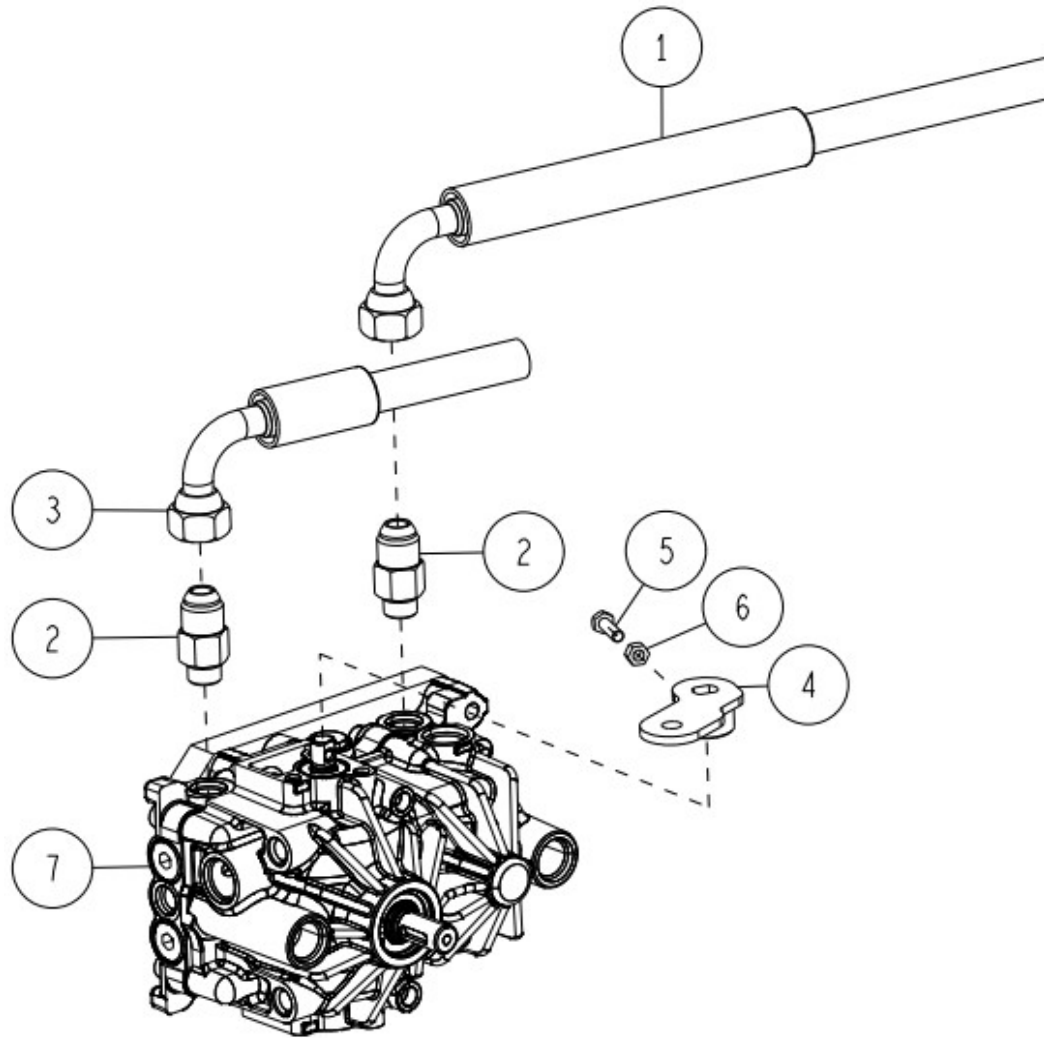
|     |                |                                  |          |        |         |
|-----|----------------|----------------------------------|----------|--------|---------|
| 16  | 89-3510-028300 | DU Bush 28.30                    | 1        | 1      |         |
| 15  | 89-3410-075000 | Steel Ball 7.5                   | 3        | 3      |         |
| 14  | 89-2511-000400 | Snap Ring (S40)                  | 1        | 1      |         |
| 13  | 89-2511-000280 | Snap Ring (S28)                  | 1        | 1      |         |
| 12  | 89-1750-100002 | Spring Washer 10                 | 6        | 6      |         |
| 11  | 89-1613-100042 | Mini Hexagonal Nut (3 sorts) M10 | 6        | 6      |         |
| 10  | 83-1830-382-00 | Thrust Washer 40*48*1.0          | 1        | 1      |         |
| 9   | 0312-02200     | Axle (R) CMP                     | 1        | 1      |         |
| 8   | 0312-02100     | Axle (L) CMP                     | 1        | 1      |         |
| 7   | 0207-02800     | Axle Gear CMP                    | 1        | 1      |         |
| 6   | 80-1751-162-00 | Differential Lock Spring         | 1        | 1      |         |
| 5   | 80-1481-155-00 | Differential Gear Shaft Collar   | 4        | 4      |         |
| 4   | 80-1481-152-00 | Differential Lock Gear 11T       | 4        | 4      |         |
| 3   | 80-1481-151-00 | Differential Lock Plate          | 1        | 1      |         |
| 2   | 80-1425-143-00 | Differential Lock Cone           | 1        | 1      |         |
| 1   | 80-1415-150-00 | Axle Pin                         | 1        | 1      |         |
| No. | Parts Code     | Name of the Parts                | RM983F/X | RM982F | Remarks |
|     |                |                                  | Q'ty     |        |         |

# HST Section 1/2



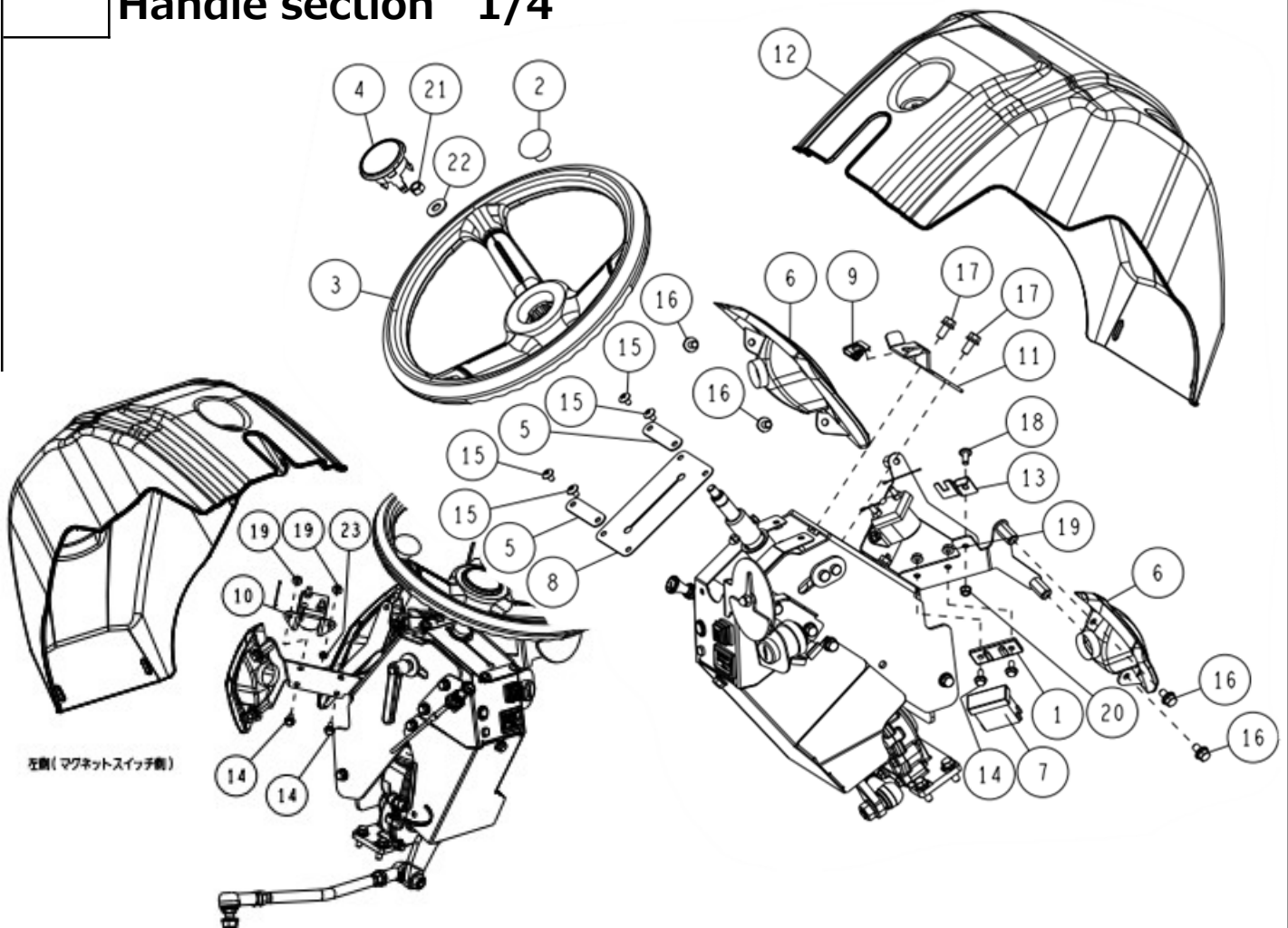
|     |                |                                  |          |        |                      |
|-----|----------------|----------------------------------|----------|--------|----------------------|
| -   | 0347-91000     | Oik Gauge (with O Ring P18)      |          | 1      | 12, 14 (~NPAHE00177) |
| -   | 0347-01000     | HST Tank ASSY                    | 1        | 1      | 10, 11, 12           |
| 14  | 89-5221-018000 | O Ring P18                       |          | 1      | ~NPAHE00177          |
| 13  | 89-1233-080202 | Mini Hexagonal Bolt (PWSW) M8*20 | 2        | 2      |                      |
| 12  | 0347-01400     | Oil Gauge Window (KM4)           | 1        | 1      | P16 O Ring Incl.     |
| 11  | 0347-01300     | HST Oil Tank Cap (KRM-ABG2-FW)   | 1        | 1      | P18 O Ring Incl.     |
| 10  | 0347-01201     | HST Oil Tank CMP (White)         | 1        | 1      |                      |
| 9   | 0347-00501     | HST Oil Tank Setting CMP (White) | 1        | 1      |                      |
| 8   | 0347-00200     | Oil Filter                       | 1        | 1      |                      |
| 7   | 0312-74400     | Hose Band 16-25                  | 5        | 5      |                      |
| 6   | 0227-03100     | Hose Clip 17                     | 2        | 2      |                      |
| 5   | 0227-02700     | HST Hose (Oil Filter)            | 2        | 2      |                      |
| 4   | 0227-02600     | HST Hose                         | 1        | 1      |                      |
| 3   | 0227-01500     | Poet Joint G1/4                  | 1        | 1      |                      |
| 2   | 0227-01400     | Port Joint 7/8-14UNF             | 1        | 1      |                      |
| 1   | 0227-00600     | HST Hose                         | 1        | 1      |                      |
| No. | Parts Code     | Name of the Parts                | RM983F/X | RM982F | Remarks              |
|     |                |                                  | Q'ty     |        |                      |

HST Section 2/2



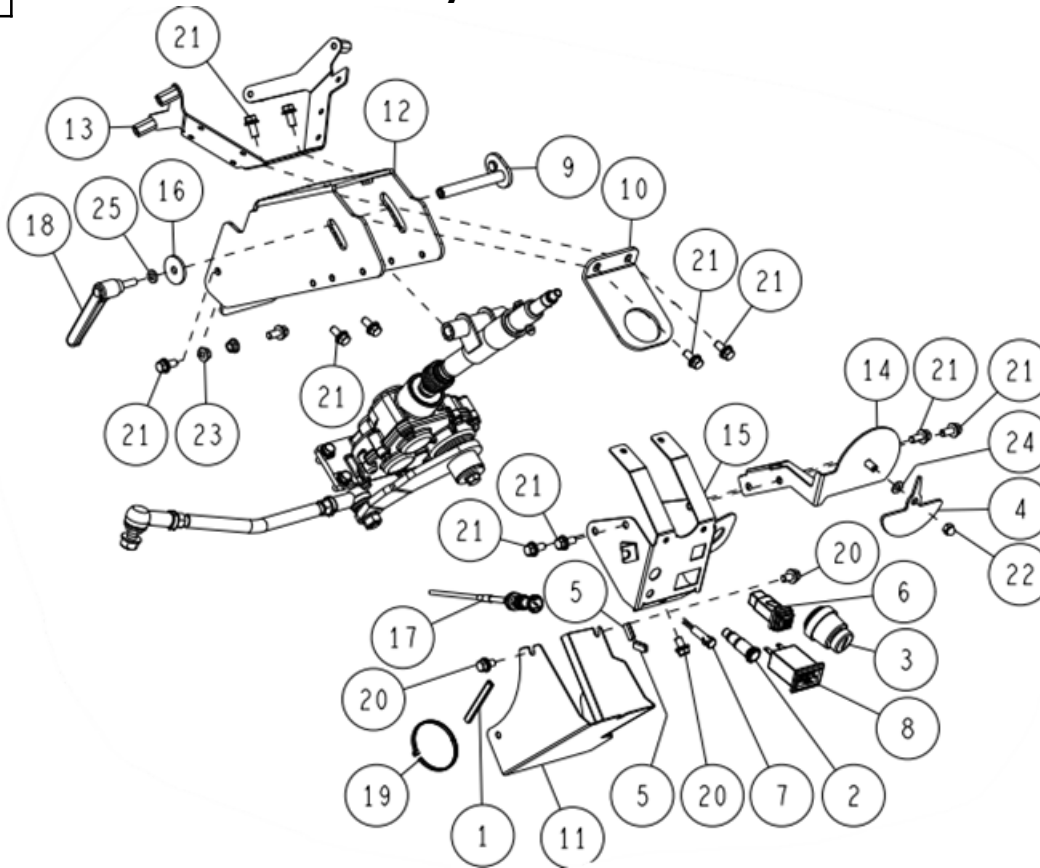
|     |                |                                 |          |        |         |
|-----|----------------|---------------------------------|----------|--------|---------|
| 7   | 0227-01110     | HST Unit 13cc (New)             | 1        | 1      |         |
| 6   | 89-1511-060042 | Hexagonal Nut M6                | 1        | 1      |         |
| 5   | 89-1113-060202 | Hexagonal Bolt (8T) M6*20       | 1        | 1      |         |
| 4   | 0347-0210H     | Control Arm CMP (Metallic Grey) | 1        | 1      |         |
| 3   | 0227-01300     | Oil Pressure Hose 1670          | 1        | 1      |         |
| 2   | 0227-00700     | Different Diameter Joint        | 2        | 2      |         |
| 1   | 0227-00400     | Oil Pressure Hose 1590          | 1        | 1      |         |
| No. | Parts Code     | Name of the Parts               | RM983F/X | RM982F | Remarks |
|     |                |                                 | Q'ty     |        |         |

## Handle section 1/4



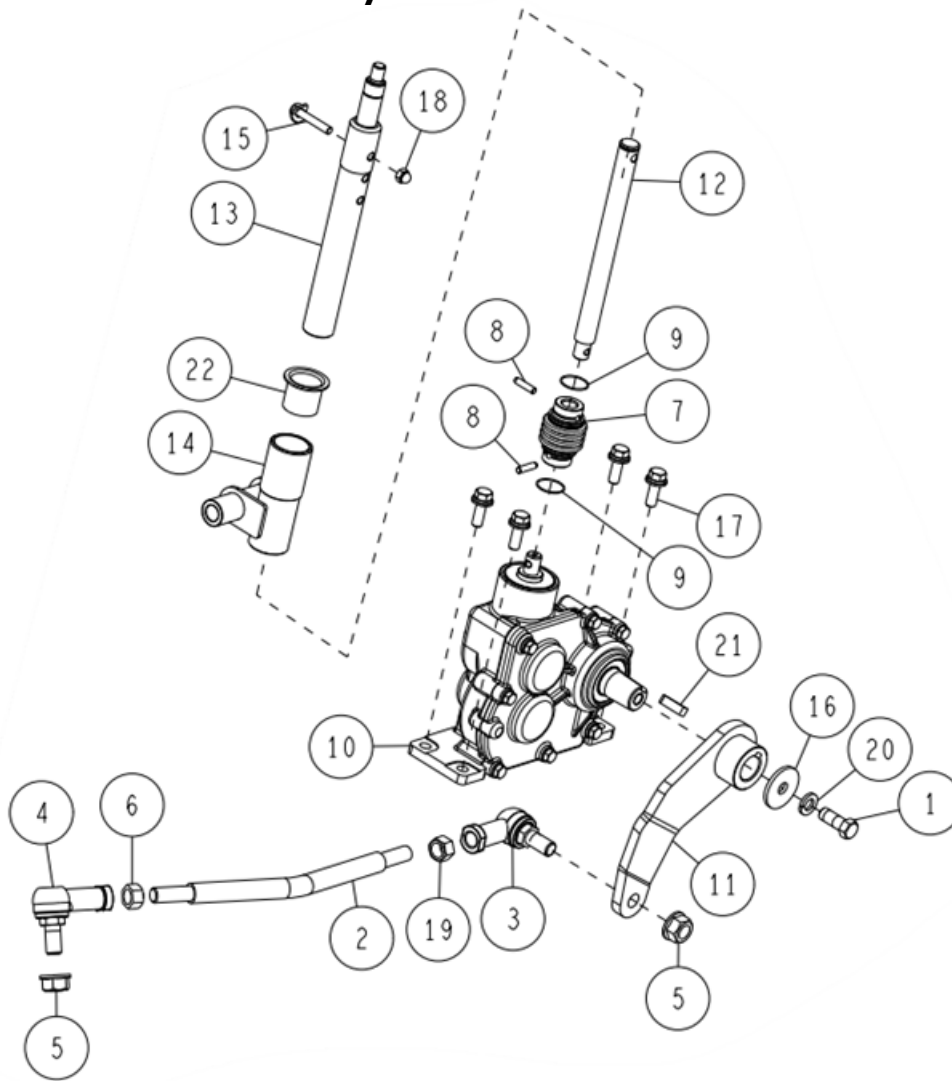
|     |                |                                  |          |        |              |
|-----|----------------|----------------------------------|----------|--------|--------------|
| -   | 0262-70100     | Steering Wheel Assy              | 1        | 1      | 2、3、4        |
| 23  | 89-1812-060002 | Toothed washer (inside) 6        | 1        | 1      |              |
| 22  | 89-1713-100002 | Flat Washer 10 (large)           | 1        | 1      |              |
| 21  | 89-1561-100002 | Mini Hexagonal U Nut M10         | 1        | 1      |              |
| 20  | 89-1541-060002 | Hexagonal Nut (SW) M6            | 1        | 1      |              |
| 19  | 89-1531-060042 | Flange Nut M6                    | 4        | 4      |              |
| 18  | 89-1390-060162 | Welded Bolt M6*16                | 1        | 1      |              |
| 17  | 89-1233-080202 | Mini Hexagonal Bolt (PWSW) M8*20 | 2        | 2      |              |
| 16  | 89-1233-080162 | Mini Hexagonal Bolt (PWSW) M8*16 | 4        | 4      |              |
| 15  | 89-1159-060108 | Truss Mini Screw M6*10           | 4        | 4      |              |
| 14  | 89-1137-060152 | Hexagonal Bolt (PW) M6*15        | 4        | 4      |              |
| 13  | 0348-14700     | Fuse Box Bracket                 | 1        | 1      |              |
| 12  | 0347-15600     | Front Cover Blue (IA)            | 1        |        | IA           |
|     | 0347-15500     | Front Cover Red                  | 1        |        | YB           |
|     | 0347-14700     | Front Cover                      | 1        | 1      | OR           |
| 11  | 0347-14501     | Front Cover Stay (White)         | 1        | 1      |              |
| 10  | 0322-73000     | Magnet Switch Set                | 1        | 1      |              |
| 9   | 0322-71100     | Clip $\phi$ 6                    | 1        | 1      |              |
| 8   | 0322-11500     | Meter Panel Cover                | 1        | 1      | White Rubber |
| 7   | 0312-77900     | Fuse Box Cover                   | 1        | 1      | ※Lid only    |
| 6   | 0312-70200     | Head Lamp                        | 2        | 2      |              |
| 5   | 0312-11701     | Handle Stay Cover Holder (White) | 2        | 2      |              |
| 4   | 0262-70500     | Steering Cap                     | 1        | 1      |              |
| 3   | 0262-70400     | Steering Wheel                   | 1        | 1      |              |
| 2   | 0262-70300     | Sub Handle Assy                  | 1        | 1      |              |
| 1   | 0207-79200     | Fuse Box Bracket                 | 1        | 1      |              |
| No. | Parts Code     | Name of the Parts                | RM983F/X | RM982F | Remarks      |
|     |                |                                  | Q'ty     |        |              |

## Handle section 2/4



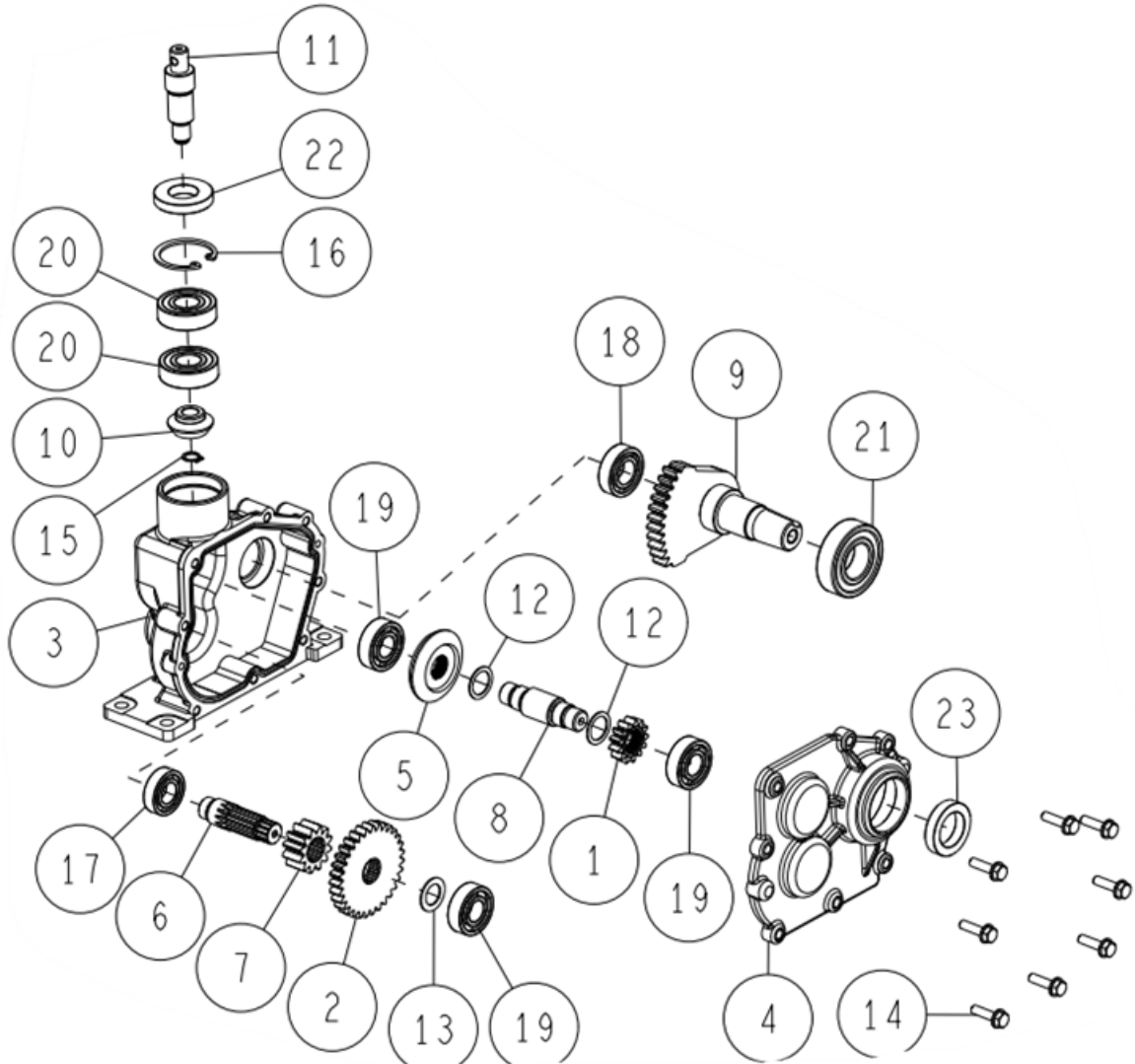
|     |                |   |          |        |         |
|-----|----------------|---|----------|--------|---------|
| 25  | 89-1750-080002 | Spring Washer 8                         | 1        | 1      |         |
| 24  | 89-1711-080002 | Flat Washer 8                           | 1        | 1      |         |
| 23  | 89-1631-080042 | Flange Mini Hexagonal Nut M8            | 2        | 2      |         |
| 22  | 89-1563-080003 | Bag Hexagonal U Nut M8                  | 1        | 1      |         |
| 21  | 89-1233-080202 | Mini Hexagonal Bolt (PWSW) M8*20        | 12       | 12     |         |
| 20  | 89-1233-080162 | Mini Hexagonal Bolt (PWSW) M8*16        | 3        | 3      |         |
| 19  | 83-1711-719-00 | Wire Band 200L                          | 1        | 1      |         |
| 18  | 0348-71400     | Cramp Lever                             | 1        | 1      |         |
| 17  | 0348-70200     | Choke Wire                              | 1        | 1      |         |
| 16  | 0348-10700     | Flat Washer 9*35*3.2                    | 1        | 1      |         |
| 15  | 0347-1540G     | Meter Panel CMP (Green)                 | 1        |        | OR      |
|     | 0347-1540H     | Meter Panel CMP (Metallic Grey)         | 1        |        | IA•YB   |
|     | 0347-1540I     | Meter Panel CMP (White)                 |          | 1      |         |
| 14  | 0347-1480H     | Meter Panel Stay CMP (Metallic Grey)    | 1        |        | YB      |
|     | 0347-1480I     | Meter Panel Stay CMP (White)            | 1        | 1      | OR•IA   |
| 13  | 0347-1440I     | Head Lamp Stay CMP (White)              | 1        | 1      |         |
| 12  | 0347-1410H     | Handle Stay CMP (Metallic Grey)         | 1        |        | YB      |
|     | 0347-1410I     | Handle Stay CMP (White)                 | 1        | 1      | OR•IA   |
| 11  | 0347-1390H     | Steering Gear Box Cover (Metallic Grey) | 1        |        | YB      |
|     | 0347-1390I     | Steering Gear Box Cover (White)         | 1        | 1      | OR•IA   |
| 10  | 0347-1380I     | Steering Gear Box Holder (White)        | 1        | 1      |         |
| 9   | 0322-11100     | Tilt Pin CMP                            | 1        | 1      |         |
| 8   | 0244-73600     | Hour Meter                              | 1        | 1      |         |
| 7   | 0244-70400     | Lamp, Caution for Engine Oil            | 1        | 1      |         |
| 6   | 0244-70300     | Lighting Switch                         | 1        | 1      |         |
| 5   | 0229-13100     | Rubber, L20                             | 2        | 2      |         |
| 4   | 0227-1220I     | Pointer for Clinometer (White)          | 1        | 1      |         |
| 3   | 0207-79700     | Key Switch (NMA03-A020)                 | 1        | 1      |         |
| 2   | 0207-79300     | Pilot Lamp                              | 1        | 1      |         |
| 1   | 80-1482-493-00 | Ditch Gum L73                           | 1        | 1      |         |
| No. | Parts Code     | Name of the Parts                       | RM983F/X | RM982F | Remarks |
|     |                |   | Q'ty     |        |         |

## Handle section 3/4



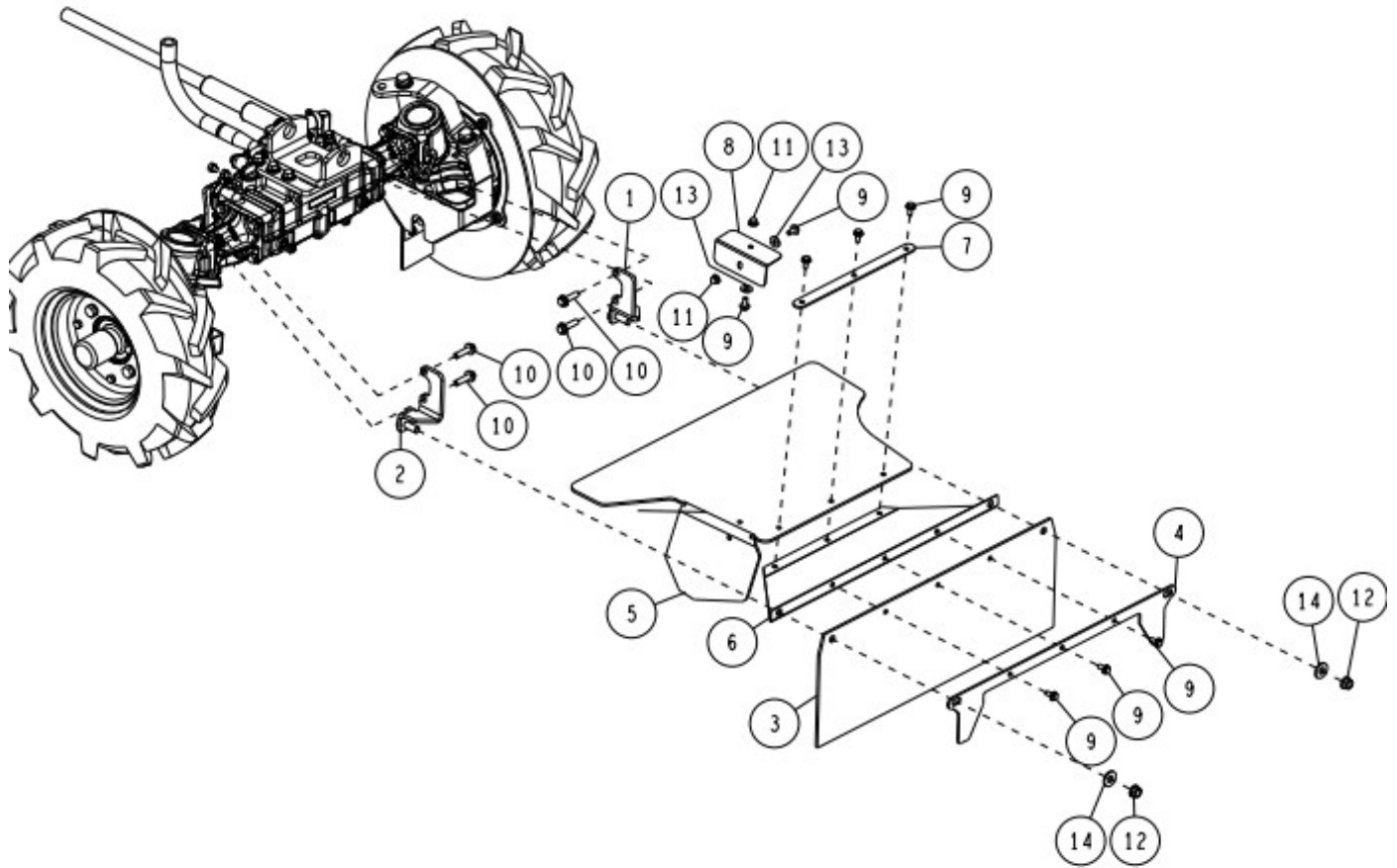
|     |                |                                   |          |        |             |
|-----|----------------|-----------------------------------|----------|--------|-------------|
| 22  | 89-3511-025250 | DU Bush 25.25.36F                 | 1        | 1      |             |
| 21  | 89-2151-070240 | Key 7*24 (half round)             | 1        | 1      |             |
| 20  | 89-1750-100002 | Spring Washer 10                  | 1        | 1      |             |
| 19  | 89-1612-120042 | Mini Hexagonal Nut (Slender) M12  | 1        | 1      |             |
| 18  | 89-1553-060002 | Bag Hexagonal U Nut M6            | 1        | 1      |             |
| 17  | 89-1236-080252 | Mini Hexagonal Bolt (PWSW) M8*25  | 4        | 4      |             |
| 16  | 83-1610-324-00 | Washer 10*36*3.2                  | 1        | 1      |             |
| 15  | 0348-14600     | Bolt for Upper Shaft Setting      | 1        | 1      |             |
| 14  | 0348-14311     | Handle Support CMP (White)        | 1        | 1      |             |
| 13  | 0347-15300     | Steering Upper Shaft CMP          | 1        | 1      |             |
| 12  | 0347-15200     | Steering Lower Shaft              | 1        | 1      |             |
| 11  | 0347-1310H     | Steering Arm CMP (Metallic Grey)  | 1        |        |             |
| 10  | 0347-13000     | Steering Gear Box Assy            | 1        | 1      | Details P28 |
| 9   | 0245-71300     | Universal Joint Ring              | 2        | 2      |             |
| 8   | 0245-71200     | Universal Joint Pin               | 2        | 2      |             |
| 7   | 0245-71100     | Universal Joint NC-12             | 1        | 1      |             |
| 6   | 0244-73800     | Hexagonal Nut (slender) M12 Left  | 1        | 1      |             |
| 5   | 0244-71900     | Tough Lock Nut M12=P1.25          | 2        | 2      |             |
| 4   | 0244-71800     | Link Ball 12 (L)                  | 1        | 1      |             |
| 3   | 0244-71700     | Link Ball 12 (R)                  | 1        | 1      |             |
| 2   | 0227-32100     | Tie Rod Adjuster                  | 1        | 1      |             |
| 1   | 0212-72100     | Hexagonal Bolt (8T) M10*25 (Meck) | 1        | 1      |             |
| No. | Parts Code     | Name of the Parts                 | RM983F/X | RM982F | Remarks     |
|     |                |                                   | Q'ty     |        |             |

## Handle section 4/4



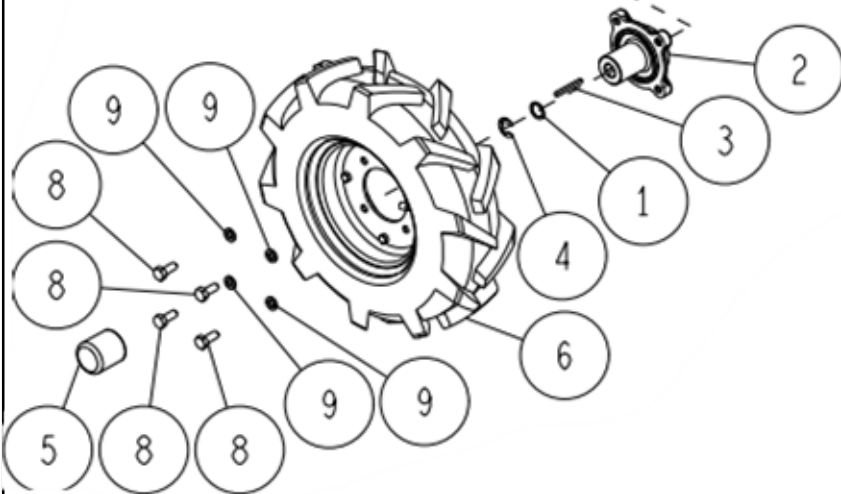
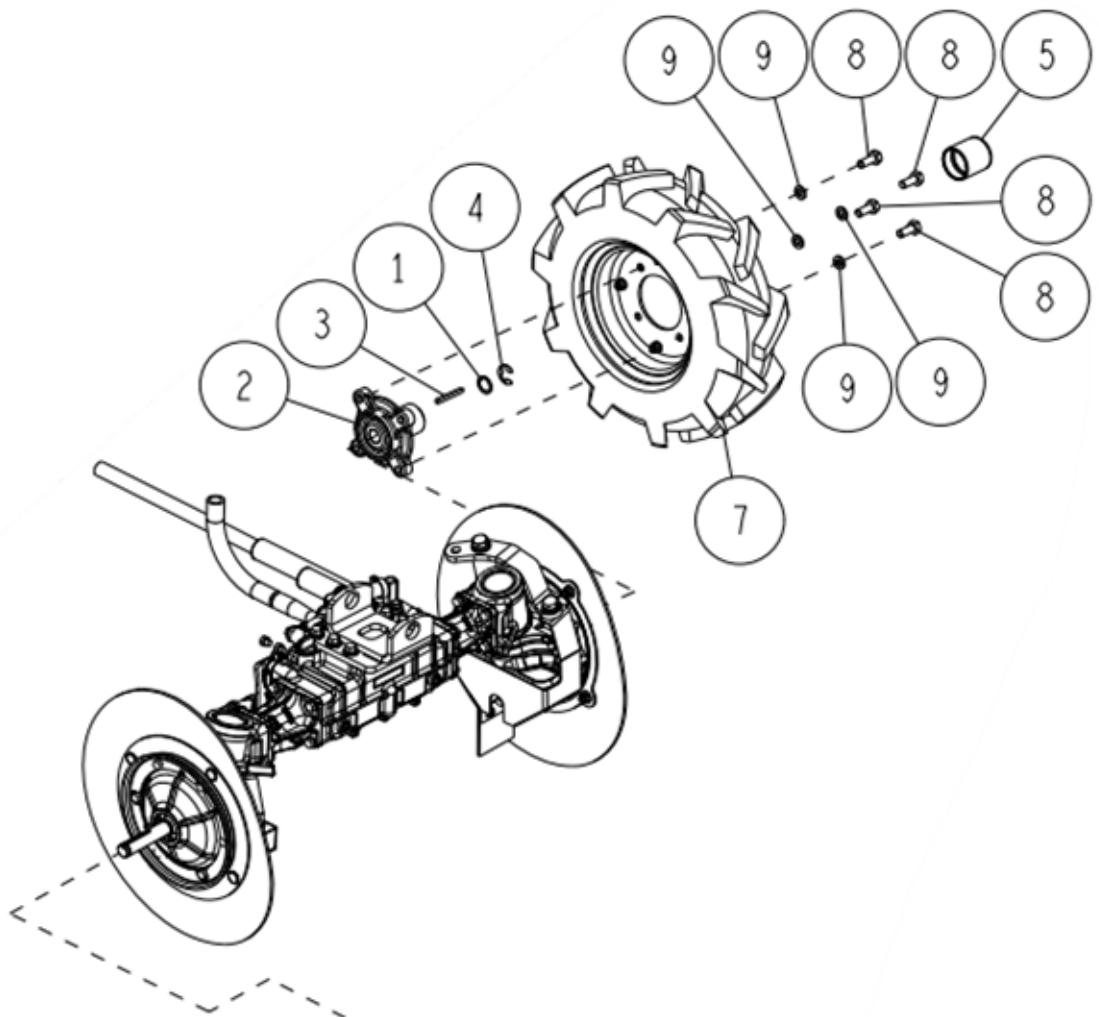
|     |                |                         |          |        |         |
|-----|----------------|-------------------------|----------|--------|---------|
| 23  | 89-5121-253808 | Oil Seal UE 25.38.8     | 1        | 1      |         |
| 22  | 89-5121-204008 | Oil Seal UE 20.40.8     | 1        | 1      |         |
| 21  | 89-3115-062054 | Bearing 6205 2RS        | 1        | 1      |         |
| 20  | 89-3115-062034 | Bearing 6203 2RS        | 2        | 2      |         |
| 19  | 89-3111-062024 | Bearing 6202            | 3        | 3      |         |
| 18  | 89-3111-060034 | Bearing 6003            | 1        | 1      |         |
| 17  | 89-3111-060024 | Bearing 6002            | 1        | 1      |         |
| 16  | 89-2512-000400 | Snap Ring (R40)         | 1        | 1      |         |
| 15  | 89-2511-000100 | Snap Ring (S10)         | 1        | 1      |         |
| 14  | 83-1515-148-00 | Tapping Bolt M6*22      | 8        | 8      |         |
| 13  | 83-1020-361-00 | Thrust Washer 15*24*1.0 | 1        | 1      |         |
| 12  | 83-1017-365-10 | Thrust Washer 17*23*1.0 | 2        | 2      |         |
| 11  | 0347-13600     | Handle Input Shaft      | 1        | 1      |         |
| 10  | 0313-05400     | Bevel Gear 19T          | 1        | 1      |         |
| 9   | 0227-36700     | Steering Output Shaft   | 1        | 1      |         |
| 8   | 0227-36600     | 1st Shaft               | 1        | 1      |         |
| 7   | 0227-36500     | 2nd Shaft 12T           | 1        | 1      |         |
| 6   | 0227-36400     | 2nd Shaft               | 1        | 1      |         |
| 5   | 0227-36300     | Bevel Gear 34T          | 1        | 1      |         |
| 4   | 0227-36200     | Steering Gear Box (B)   | 1        | 1      |         |
| 3   | 0227-36100     | Steering Gear Box (A)   | 1        | 1      |         |
| 2   | 0223-01500     | 3rd Shaft Gear 31T      | 1        | 1      |         |
| 1   | 80-1321-131-10 | 2nd Shaft 13T           | 1        | 1      |         |
| No. | Parts Code     | Name of the Parts       | RM983F/X | RM982F | Remarks |
|     |                |                         | Q'ty     |        |         |

Front Section 1/5



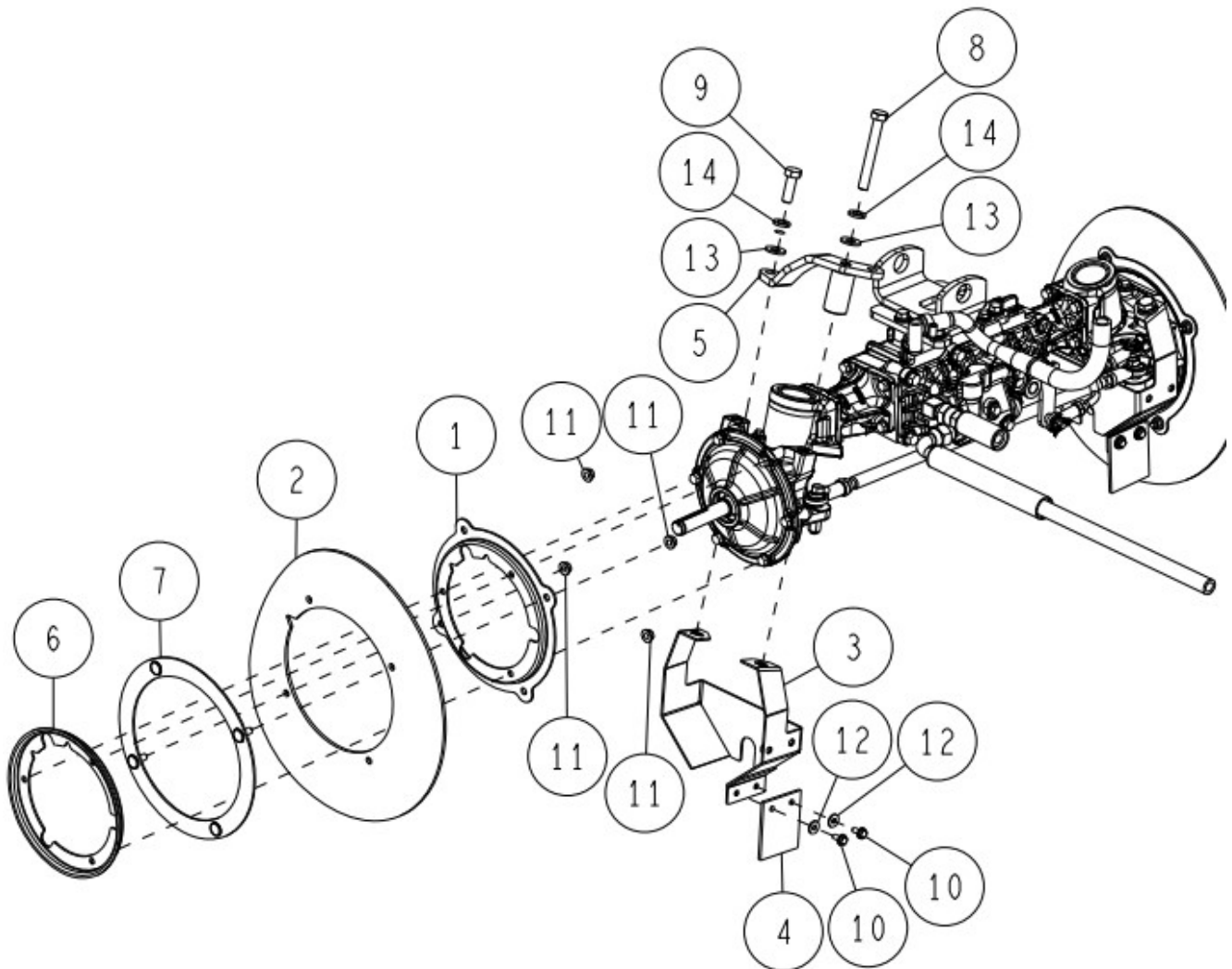
|     |                |  |          |        |         |
|-----|----------------|--|----------|--------|---------|
| 14  | 89-1713-100002 | Flat Washer 10 (large)                         | 2        | 2      |         |
| 13  | 89-1713-060002 | Flat Washer 6 (large)                          | 2        | 2      |         |
| 12  | 89-1631-100042 | Flange Mini Hexagonal Nut M10                  | 2        | 2      |         |
| 11  | 89-1581-060042 | Flange Cap Nut M6                              | 2        | 2      |         |
| 10  | 89-1253-080302 | Flange Mini Hexagonal Bolt (8T) M8*30          | 4        | 4      |         |
| 9   | 89-1137-060152 | Hexagonal Bolt (PW) M6*15                      | 8        | 8      |         |
| 8   | 0284-53200     | Upper Flapper                                  | 1        | 1      |         |
| 7   | 0244-6170H     | Upper Flapper Holder (Metallic Grey)           | 1        | 1      |         |
| 6   | 0227-6040H     | Front Upper Guard CMP (Metallic Grey)          | 1        | 1      |         |
| 5   | 0227-60310     | Upper Flapper                                  | 1        | 1      |         |
| 4   | 0227-6020H     | Front Flapper Holder CMP (Metallic Grey)       | 1        | 1      |         |
| 3   | 0227-60100     | Front Flapper                                  | 1        | 1      |         |
| 2   | 0227-3120H     | Front Flapper Stay (Right) CMP (Metallic Grey) | 1        | 1      |         |
| 1   | 0227-3110H     | Front Flapper Stay (Left) CMP (Metallic Grey)  | 1        | 1      |         |
| No. | Parts Code     | Name of the Parts                              | RM983F/X | RM982F | Remarks |
|     |                |  | Q'ty     |        |         |

Front Section 2/5



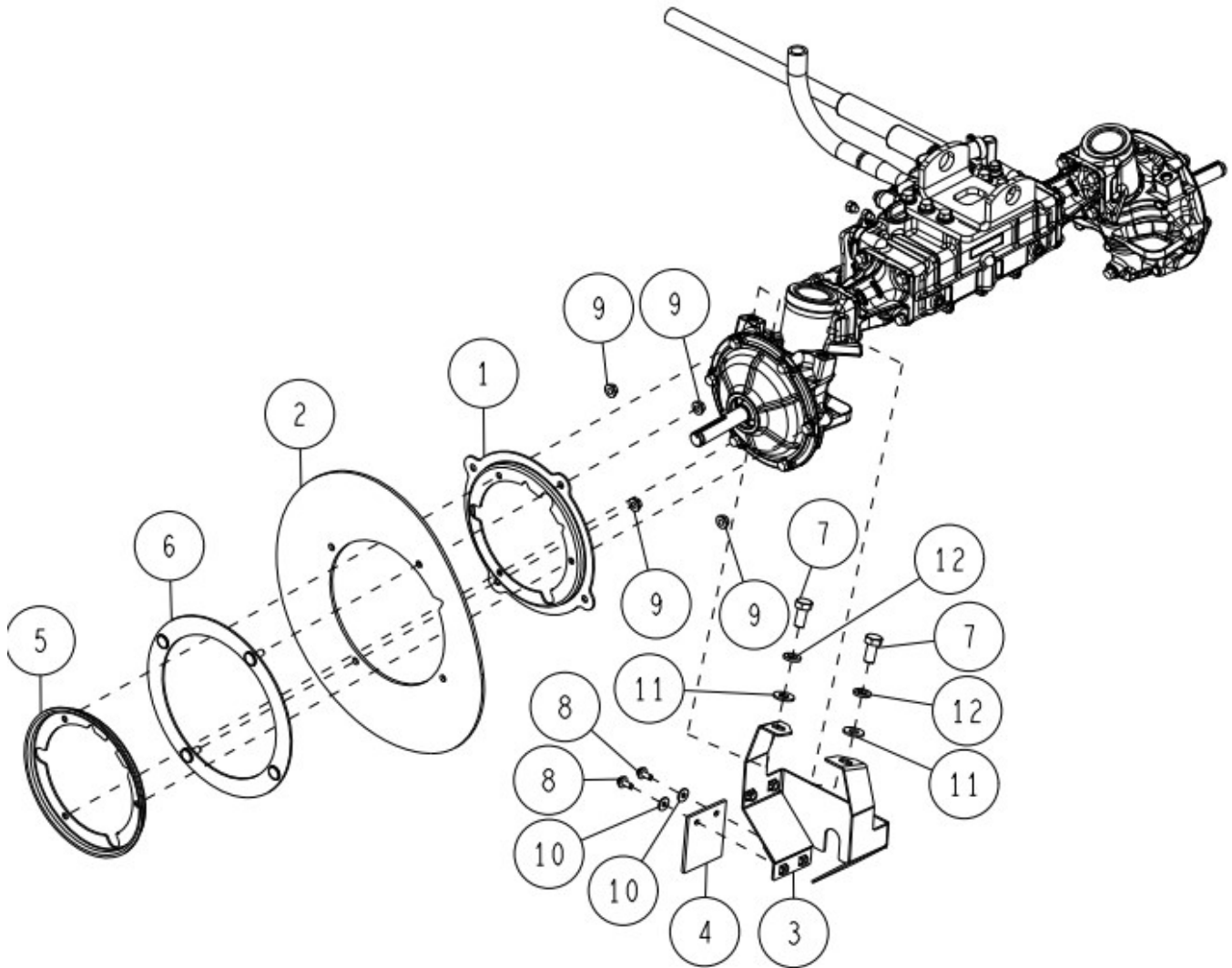
|     |                |                                    |          |        |             |
|-----|----------------|------------------------------------|----------|--------|-------------|
| 9   | 89-1750-10002  | Spring Washer 10                   | 8        | 8      |             |
| 8   | 89-1113-100252 | Hexagonal Bolt (8T) M10*25         | 8        | 8      |             |
| 7   | 0244-79210     | Front Wheel Tire (L) Assy (4.00-7) | 1        | 1      | Details P34 |
| 6   | 0244-79110     | Front Wheel Tire (R) Assy (4.00-7) | 1        | 1      | Details P34 |
| 5   | 0227-70300     | Front Wheel Cap (φ 42L*50)         | 2        | 2      |             |
| 4   | 0227-32400     | Snap Ring for Axes(RM980F)         | 2        | 2      |             |
| 3   | 0227-32300     | key 3/16*3/16*50                   | 2        | 2      |             |
| 2   | 0227-30111     | Front Wheel Boss (White)           | 2        | 2      |             |
| 1   | 0010-71500     | Thrust Washer 19*25*1.0            | 2        | 2      |             |
| No. | Parts Code     | Name of the Parts                  | RM983F/X | RM982F | Remarks     |
|     |                |                                    | Q'ty     |        |             |

## Front Section 3/5



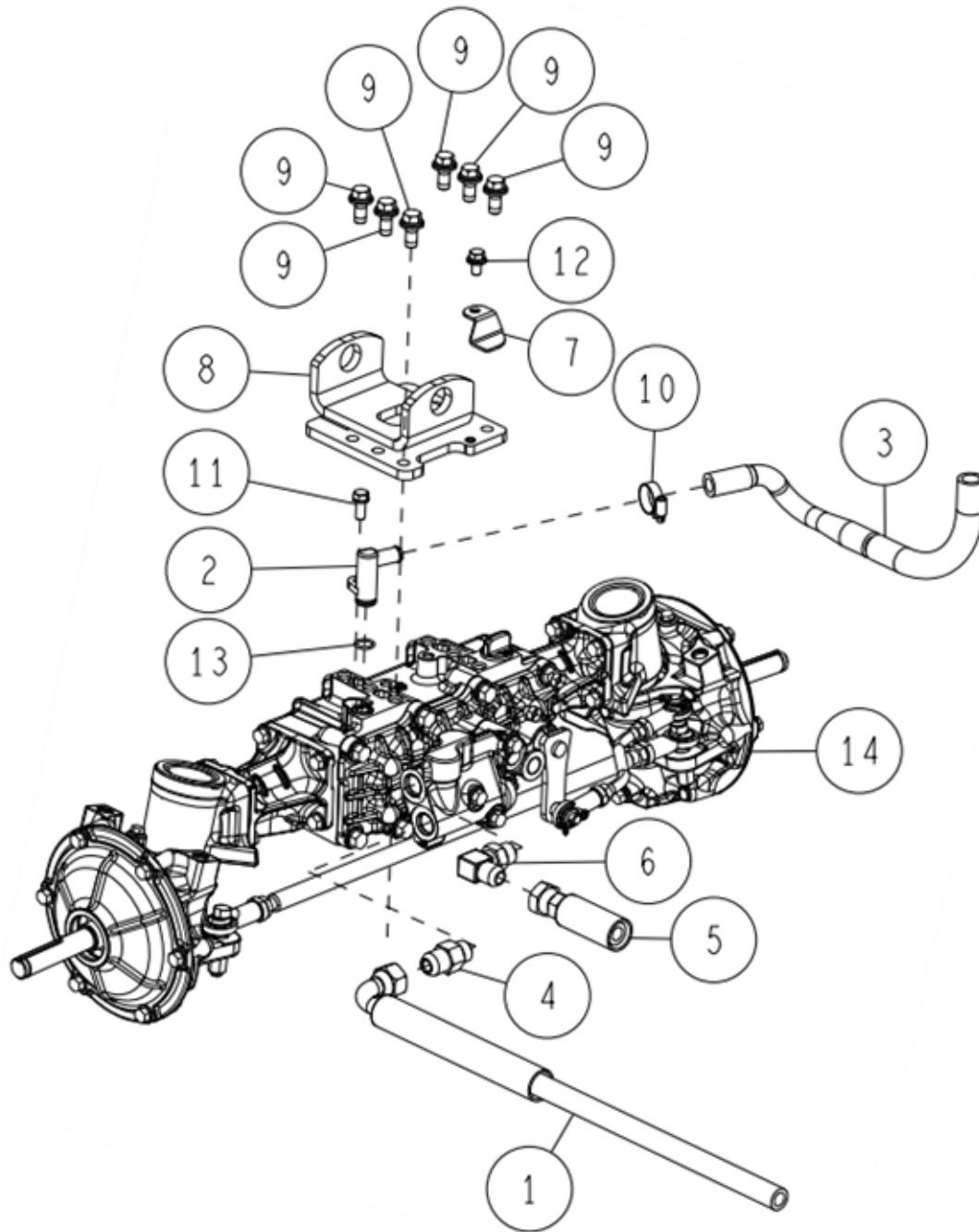
|     |                |   |          |        |         |
|-----|----------------|---|----------|--------|---------|
| 14  | 89-1750-120002 | Spring Washer 12                                      | 2        | 2      |         |
| 13  | 89-1713-120002 | Flat Washer 12 (large)                                | 2        | 2      |         |
| 12  | 89-1713-060002 | Flat Washer 6 (large)                                 | 2        | 2      |         |
| 11  | 89-1631-080042 | Flange Mini Hexagonal Nut M8                          | 4        | 4      |         |
| 10  | 89-1137-060152 | Hexagonal Bolt (PW) M6*15                             | 2        | 2      |         |
| 9   | 89-1113-120352 | Hexagonal Bolt (8T) M12*35                            | 1        | 1      |         |
| 8   | 89-1113-120952 | Hexagonal Bolt (8T) M12*95                            | 1        | 1      |         |
| 7   | 0227-3270H     | Front Wheel Rubber Cover Press (Metallic Grey)        | 1        | 1      |         |
| 6   | 0227-3260H     | Axle Dust Guard (Metallic Grey)                       | 1        | 1      |         |
| 5   | 0227-3090H     | Steering Knuckle Arm (Metallic Grey)                  | 1        | 1      |         |
| 4   | 0227-30800     | Axle Cover Flapper                                    | 1        | 1      |         |
| 3   | 0227-3070H     | Front Axle Cover Left CMP (Metallic Grey)             | 1        | 1      |         |
| 2   | 0227-30400     | Front Wheel Rubber Cover                              | 1        | 1      |         |
| 1   | 0227-3021H     | Front Wheel Rubber Cover Installation (Metallic Grey) | 1        | 1      |         |
| No. | Parts Code     | Name of the Parts                                     | RM983F/X | RM982F | Remarks |
|     |                |   | Q'ty     |        |         |

## Front Section 4/5



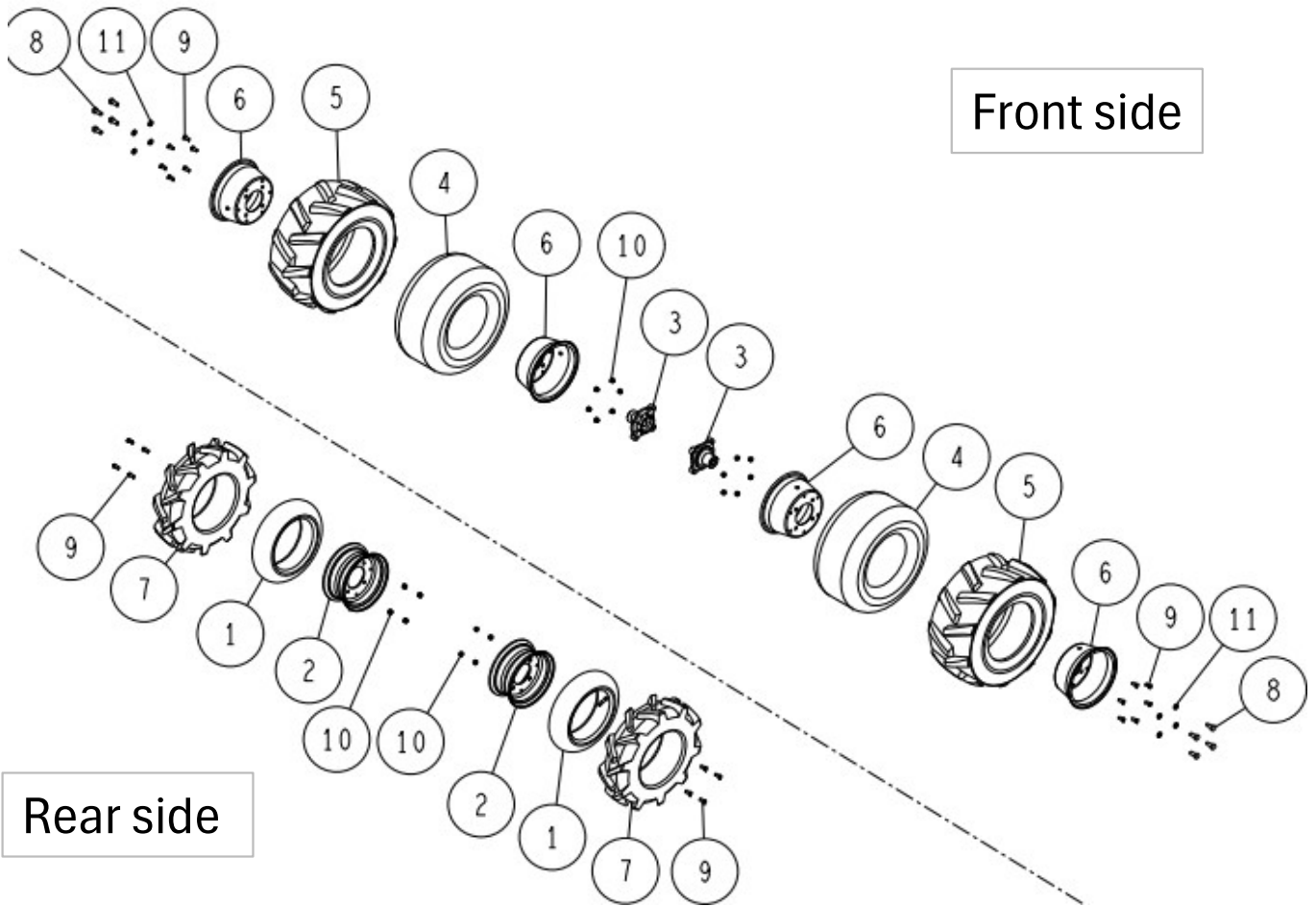
|     |                |   |          |        |         |
|-----|----------------|---|----------|--------|---------|
| 12  | 89-1750-120002 | Spring Washer 12                                      | 2        | 2      |         |
| 11  | 89-1713-120002 | Flat Washer 12 (large)                                | 2        | 2      |         |
| 10  | 89-1713-060002 | Flat Washer 6 (large)                                 | 2        | 2      |         |
| 9   | 89-1631-080042 | Flange Mini Hexagonal Nut M8                          | 4        | 4      |         |
| 8   | 89-1137-060152 | Hexagonal Bolt (PW) M6*15                             | 2        | 2      |         |
| 7   | 89-1111-120252 | Hexagonal Bolt M12*25                                 | 2        | 2      |         |
| 6   | 0227-3270H     | Front Wheel Rubber Cover Press (Metallic Grey)        | 1        | 1      |         |
| 5   | 0227-3260H     | Axle Dust Guard (Metallic Grey)                       | 1        | 1      |         |
| 4   | 0227-30800     | Axle Cover Flapper                                    | 1        | 1      |         |
| 3   | 0227-3060H     | Front Axle Cover Right CMP (Metallic Grey)            | 1        | 1      |         |
| 2   | 0227-30400     | Front Wheel Rubber Cover                              | 1        | 1      |         |
| 1   | 0227-3021H     | Front Wheel Rubber Cover Installation (Metallic Grey) | 1        | 1      |         |
| No. | Parts Code     | Name of the Parts                                     | RM983F/X | RM982F | Remarks |
|     |                |   | Q'ty     |        |         |

## Front Section 5/5



|     |                |   |          |        |             |
|-----|----------------|---|----------|--------|-------------|
| 14  | 0227-01210     | Front Unit Assy (KXH-10F)                   | 1        | 1      |             |
| 13  | 89-5221-014000 | O Ring P14                                  | 1        | 1      |             |
| 12  | 89-1239-080162 | Mini Hexagonal Bolt (PWSW) M8*16            | 1        | 1      |             |
| 11  | 89-1238-080202 | Mini Hexagonal Bolt (SW) M8*20              | 1        | 1      |             |
| 10  | 0312-74400     | Hose Band 16-25                             | 1        | 1      |             |
| 9   | 0244-83200     | Mini Hexagonal Bolt (PWSW) M10*25 (7T Lock) | 6        | 6      |             |
| 8   | 0227-3130H     | Front Axle Holder CMP (Metallic Grey)       | 1        | 1      |             |
| 7   | 0227-04000     | Front Hose Assy                             | 1        | 1      | BXBCF00186~ |
|     | 0227-00600     | HST Hose                                    | 1        | 1      | ~BXBCF00185 |
| 6   | 0227-01703     | Hose Press Board (Grey)                     | 1        | 1      |             |
| 5   | 0227-01600     | Adjustable Elbow                            | 1        | 1      |             |
| 4   | 0227-01300     | Oil Pressure Hose 1670                      | 1        | 1      |             |
| 3   | 0227-00800     | Joint 3-4-16UNF                             | 1        | 1      |             |
| 2   | 0227-00500     | Hose Joint                                  | 1        | 1      |             |
| 1   | 0227-00400     | Oil Pressure Hose 1590                      | 1        | 1      |             |
| No. | Parts Code     | Name of the Parts                           | RM983F/X | RM982F | Remarks     |
|     |                |   | Q'ty     |        |             |

# Tire Section 1/1

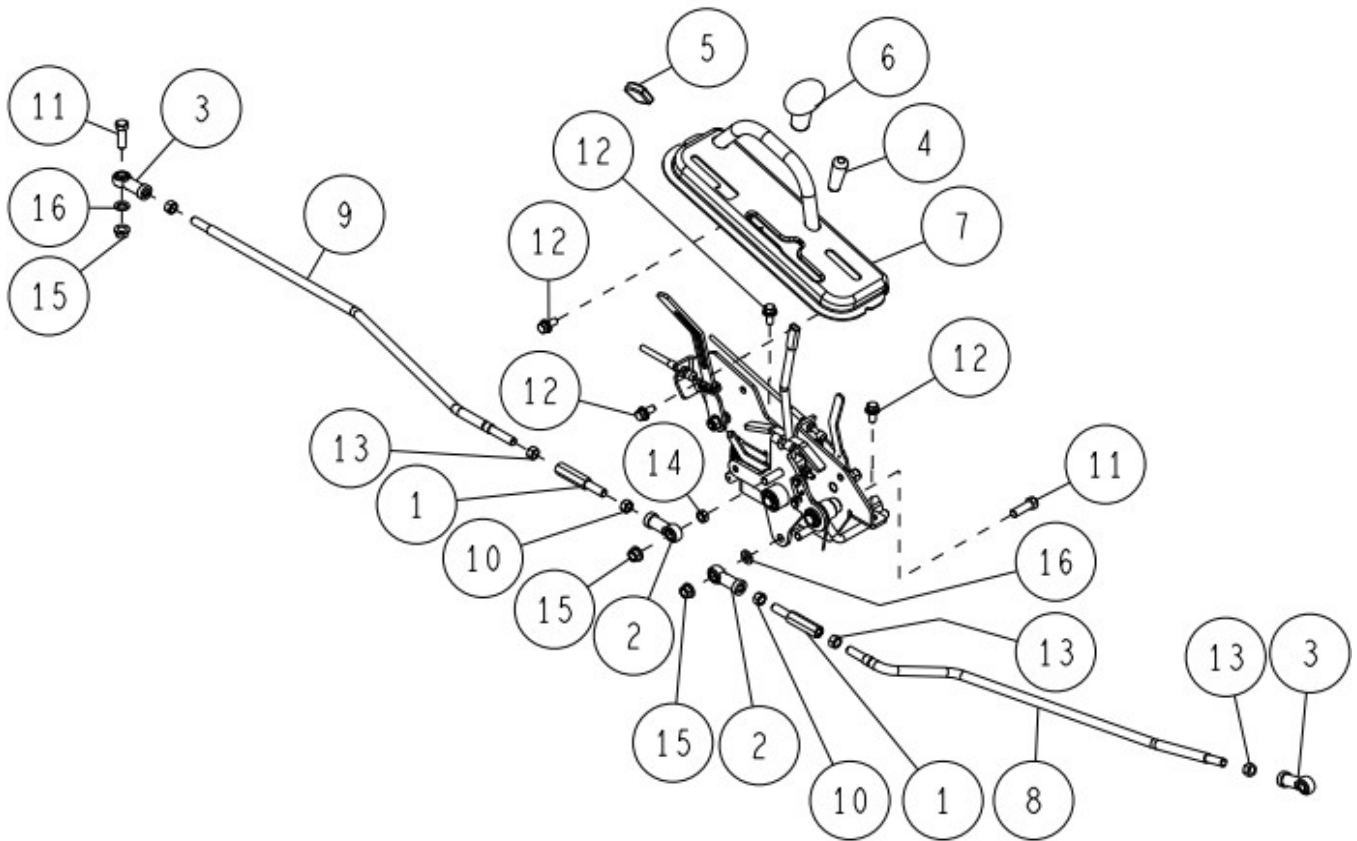


Front side

Rear side

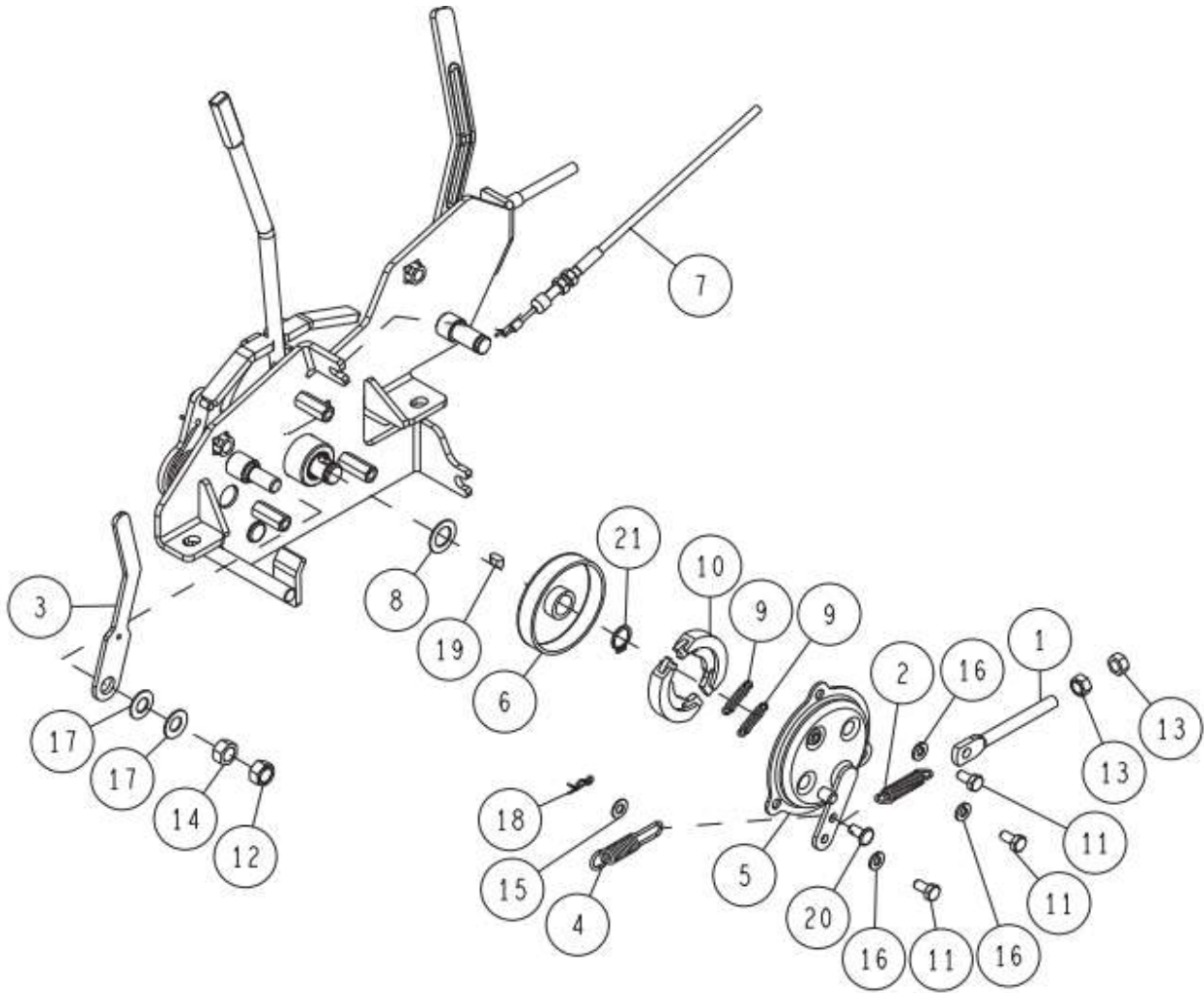
|     |                |                                |          |        |           |
|-----|----------------|--------------------------------|----------|--------|-----------|
| 11  | 89-1750-100002 | Spring Washer 10               | 8        | 8      |           |
| 10  | 89-1543-080002 | Mini Hexagonal Nut (SW) M8     | 8        | 8      |           |
| 9   | 89-1213-080162 | Mini Hexagonal Bolt (8T) M8*16 | 8        | 8      |           |
| 8   | 89-1113-100252 | Hexagonal Bolt (8T) M10*25     | 8        | 8      |           |
| 7   | 0244-79310     | Tire (4.00-7)                  | 2        | 2      | Only Tire |
| 6   | 0244-78800     | Wheel Assy 17*800-8            | 2        | 2      |           |
| 5   | 0244-78610     | Tire 17*8.00-8                 | 2        | 2      | Only Tire |
| 4   | 0244-78300     | Tire Tube 17*8.00-8            | 2        | 2      |           |
| 3   | 0207-31201     | Rear Wheel Boss (White)        | 2        | 2      |           |
| 2   | 80-1260-407-00 | Wheel Assy 3.50-7              | 2        | 2      |           |
| 1   | 80-1711-404-00 | Tire Tube (400-7)              | 2        | 2      |           |
| No. | Parts Code     | Name of the Parts              | RM983F/X | RM982F | Remarks   |
|     |                |                                | Q'ty     |        |           |

## Control Section 1/3



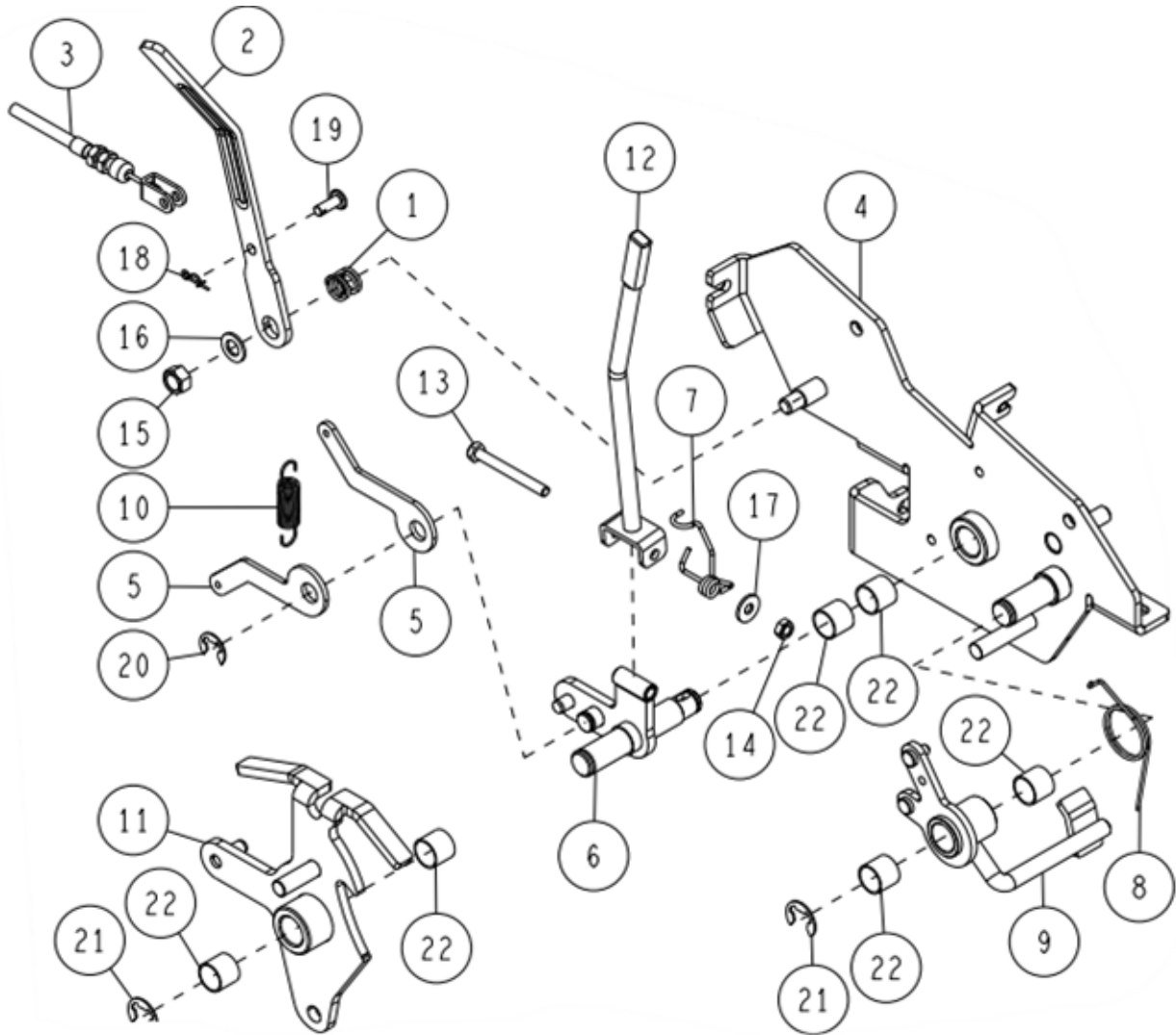
|     |                |                                   |          |        |                      |
|-----|----------------|-----------------------------------|----------|--------|----------------------|
| -   | 0348-11000     | Shift Rod Assy                    | 1        | 1      | 1, 2, 3, 9, 10, 13×2 |
| -   | 0342-15010     | Change Pedal Rod Assy             | 1        | 1      | 1, 2, 3, 8, 10, 13×2 |
| 16  | 89-1711-100002 | Flat Washer 10*18*1.6             | 2        | 2      |                      |
| 15  | 89-1631-100042 | Flange Mini Hexagonal Nut M10     | 3        | 3      |                      |
| 14  | 89-1613-100042 | Mini Hexagonal Nut (3 sorts) M10  | 1        | 1      |                      |
| 13  | 89-1611-100042 | Mini Hexagonal Nut M10            | 4        | 4      |                      |
| 12  | 89-1233-080202 | Mini Hexagonal Bolt (PWSW) M8*20  | 4        | 4      |                      |
| 11  | 89-1213-100302 | Mini Hexagonal Bolt (8T) M10*30   | 2        | 2      |                      |
| 10  | 83-1488-195-02 | Mini Hexagonal Nut M10 (L)        | 2        | 2      |                      |
| 9   | 0348-11100     | Shift Rod                         | 1        | 1      |                      |
| 8   | 0342-15110     | Change Pedal Rod                  | 1        | 1      |                      |
| 7   | 0341-1020G     | Control Guide CMP (Green)         | 1        |        | OR                   |
|     | 0341-1020H     | Control Guide CMP (Metallic Grey) | 1        |        | YB                   |
|     | 0341-10201     | Control Guide CMP (White)         | 1        |        | IA                   |
|     | 0341-10206     | Control Guide CMP (Blue)          |          | 1      | IA                   |
|     | 0341-10205     | Control Guide CMP (Yellow Green)  |          | 1      | OR                   |
|     | 0341-10202     | Control Guide CMP (Red)           |          | 1      | YB                   |
| 6   | 0221-13200     | Change Grip                       | 1        | 1      |                      |
| 5   | 0215-70600     | Lever Grip (Red)                  | 1        | 1      |                      |
| 4   | 0207-72600     | Lever Grip 8 (Black)              | 1        | 1      |                      |
| 3   | 80-1487-964-10 | Rod End PHS10EC                   | 2        | 2      |                      |
| 2   | 80-1487-962-10 | Rod End PHS10ECL                  | 2        | 2      |                      |
| 1   | 80-1485-265-00 | Shift Rod Adjuster                | 2        | 2      |                      |
| No. | Parts Code     | Name of the Parts                 | RM983F/X | RM982F | Remarks              |
|     |                |                                   | Q'ty     |        |                      |

## Control Section Section 2/3



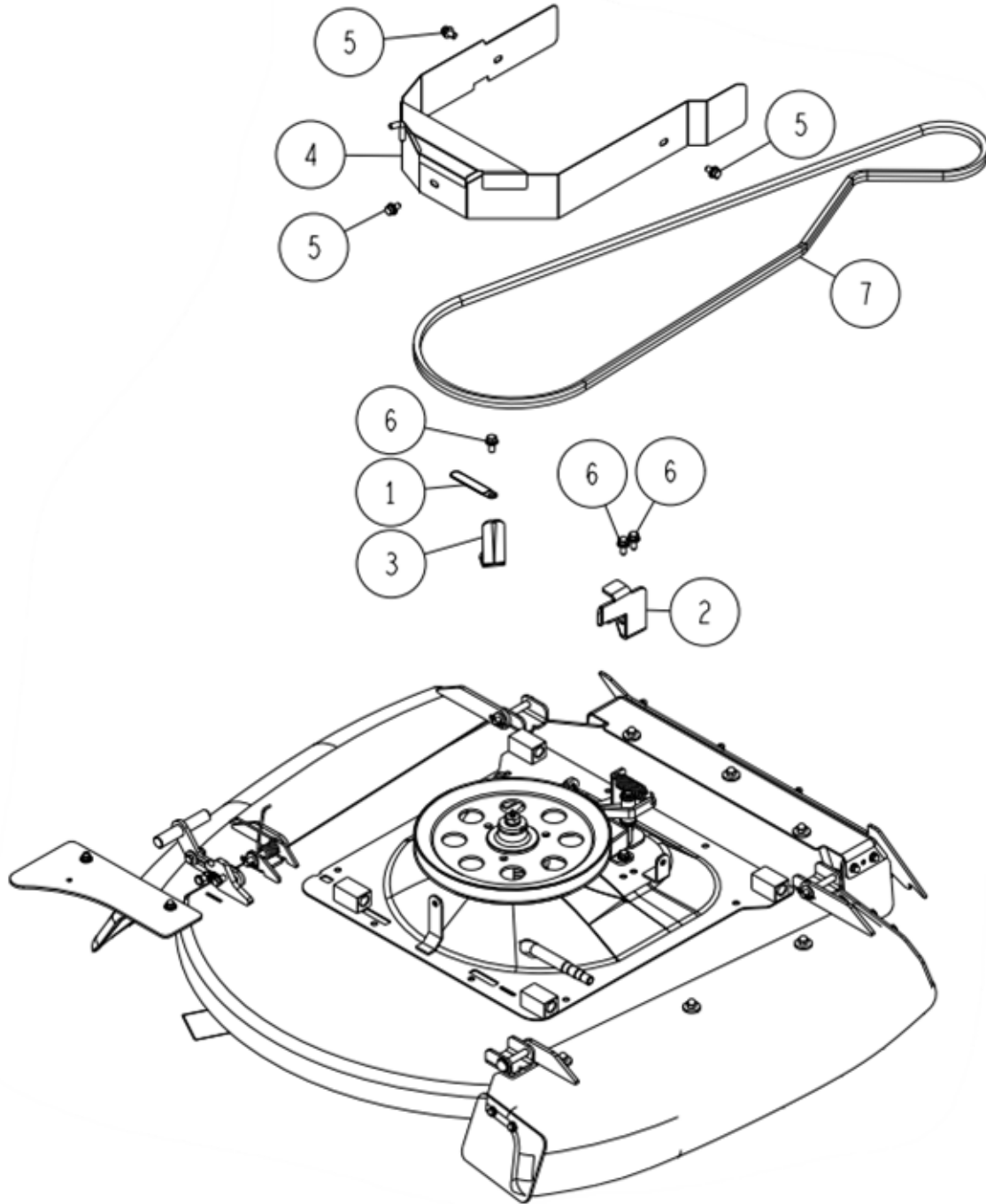
|     |                |                           |          |        |          |
|-----|----------------|---------------------------|----------|--------|----------|
| -   | 0312-17010     | Change Brake Assy         | 1        | 1      | 5、6、9、10 |
| 21  | 89-2511-000140 | Snap Ring (S14)           | 1        | 1      |          |
| 20  | 89-2181-060122 | Flat Head Pin 6*12        | 1        | 1      |          |
| 19  | 89-2150-050100 | Key 5*10 (round)          | 1        | 1      |          |
| 18  | 89-2132-060002 | Snap Pin 6 (with stopper) | 1        | 1      |          |
| 17  | 89-1852-100000 | Belleville Spring H10     | 2        | 2      |          |
| 16  | 89-1750-060002 | Spring Washer 6           | 3        | 3      |          |
| 15  | 89-1711-060002 | Flat Washer 6             | 1        | 1      |          |
| 14  | 89-1611-100042 | Mini Hexagonal Nut M10    | 1        | 1      |          |
| 13  | 89-1611-080042 | Mini Hexagonal Nut M8     | 2        | 2      |          |
| 12  | 89-1561-100002 | Mini Hexagonal U Nut M10  | 1        | 1      |          |
| 11  | 89-1113-060122 | Hexagonal Bolt (8T) M6*12 | 3        | 3      |          |
| 10  | 85-1711-318-00 | Brake Shoe Set            | 1        | 1      |          |
| 9   | 85-1711-317-00 | Shoe Return Spring        | 2        | 2      |          |
| 8   | 83-1675-375-00 | Thrust Washer 14*23*1.0   | 1        | 1      |          |
| 7   | 0322-75400     | Throttle Wire             | 1        | 1      |          |
| 6   | 0312-17200     | Brake Drum                | 1        | 1      |          |
| 5   | 0312-17100     | Brake Cover               | 1        | 1      |          |
| 4   | 0312-14200     | Spring for Brake Pulling  | 1        | 1      |          |
| 3   | 0312-12900     | Throttle Lever            | 1        | 1      |          |
| 2   | 0225-11800     | Spring, Change Brake      | 1        | 1      |          |
| 1   | 0207-72300     | Change Brake Adjuster     | 1        | 1      |          |
| No. | Parts Code     | Name of the Parts         | RM983F/X | RM982F | Remarks  |
|     |                |                           | Q'ty     |        |          |

## Control Section Section 3/3



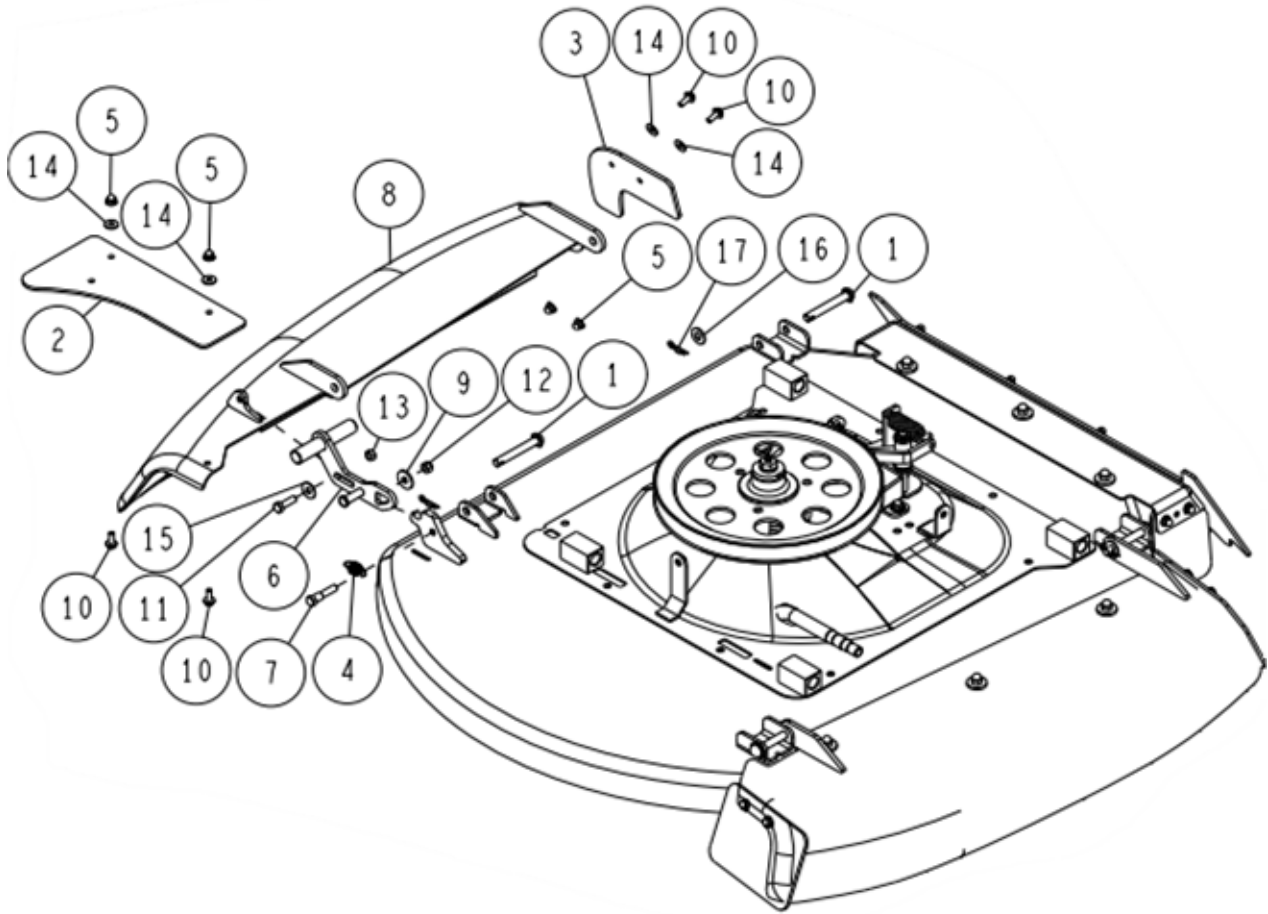
|     |                |  |          |        |         |
|-----|----------------|--|----------|--------|---------|
| 22  | 89-3510-016150 | DU Bush 16.15                          | 6        | 6      |         |
| 21  | 89-2521-000120 | E Type Ring 12                         | 2        | 2      |         |
| 20  | 89-2521-000100 | E Type Ring 10                         | 1        | 1      |         |
| 19  | 89-2181-060162 | Flat Head Pin 6*16                     | 1        | 1      |         |
| 18  | 89-2132-060002 | Snap Pin 6 (with stopper)              | 1        | 1      |         |
| 17  | 89-1713-060002 | Flat Washer 6 (large)                  | 1        | 1      |         |
| 16  | 89-1711-100002 | Flat Washer 10*18*1.6                  | 1        | 1      |         |
| 15  | 89-1561-100002 | Mini Hexagonal U Nut M10               | 1        | 1      |         |
| 14  | 89-1551-060002 | Hexagonal U Nut M6                     | 1        | 1      |         |
| 13  | 89-1113-060552 | Hexagonal Bolt (8T) M6*55              | 1        | 1      |         |
| 12  | 0348-10300     | Change Lever CMP                       | 1        | 1      |         |
| 11  | 0348-1010H     | Change Lever Guide CMP (Metallic Grey) | 1        | 1      |         |
| 10  | 0329-12500     | Spring for Change Pedal                | 1        | 1      |         |
| 9   | 0322-1240H     | Change Return Arm CMP (Metallic Grey)  | 1        | 1      |         |
| 8   | 0312-13800     | Spring for Change Return Arm           | 1        | 1      |         |
| 7   | 0312-13700     | Spring for Change Lever                | 1        | 1      |         |
| 6   | 0312-1242H     | Change Lever Base CMP (Metallic Grey)  | 1        | 1      |         |
| 5   | 0312-1231H     | Neutral Arm (Metallic Grey)            | 2        | 2      |         |
| 4   | 0312-1210H     | Change Bracket CMP (Metallic Grey)     | 1        | 1      |         |
| 3   | 0244-72410     | Differential Lock Wire                 | 1        | 1      |         |
| 2   | 0244-13200     | Differential Lock Lever CMP            | 1        | 1      |         |
| 1   | 80-1020-263-00 | Control Lever Shaft Spring             | 1        | 1      |         |
| No. | Parts Code     | Name of the Parts                      | RM983F/X | RM982F | Remarks |
|     |                |  | Q'ty     |        |         |

# Cutting Section 1/6



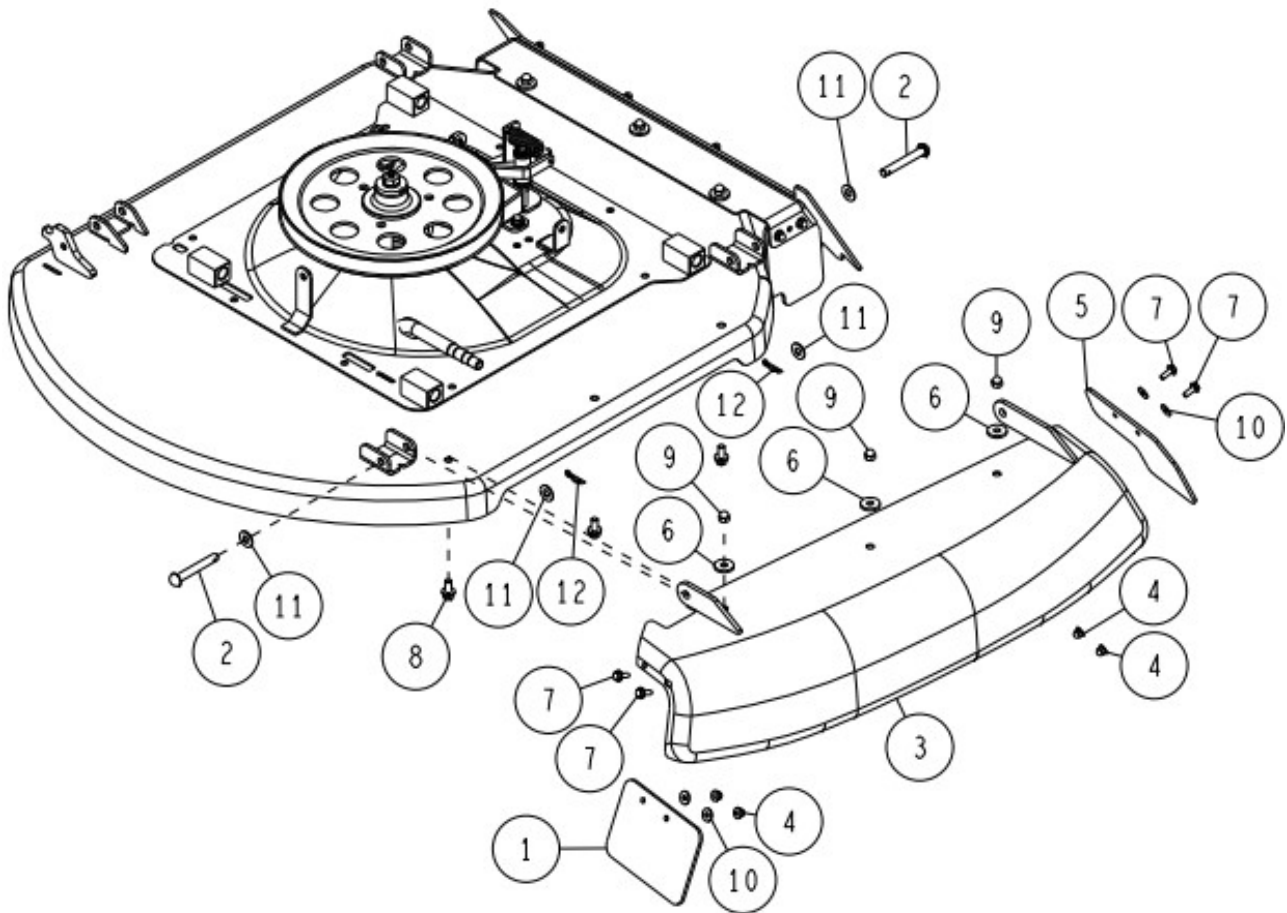
|     |                |  |          |        |         |
|-----|----------------|--|----------|--------|---------|
| 7   | 89-6123-008102 | V Belt SB-81 (W800)                          | 1        |        |         |
|     | 89-6123-008002 | V Belt SB-80 (W800)                          |          | 1      |         |
| 6   | 89-1233-080202 | Mini Hexagonal Bolt (PWSW) M8*20             | 3        | 3      |         |
| 5   | 89-1233-080162 | Mini Hexagonal Bolt (PWSW) M8*16             | 3        | 3      |         |
| 4   | 0347-5020H     | Knife Belt Cover CMP (Metallic Grey)         | 1        | 1      |         |
| 3   | 0244-4260H     | Knife Pulley Belt Holder (Metallic Grey)     | 1        | 1      |         |
| 2   | 0244-4240H     | Knife Pulley Belt Holder (L) (Metallic Grey) | 1        | 1      |         |
| 1   | 80-1792-988-00 | Harness Clip 8                               | 1        | 1      |         |
| No. | Parts Code     | Name of the Parts                            | RM983F/X | RM982F | Remarks |
|     |                |  | Q'ty     |        |         |

## Cutting Section 2/6



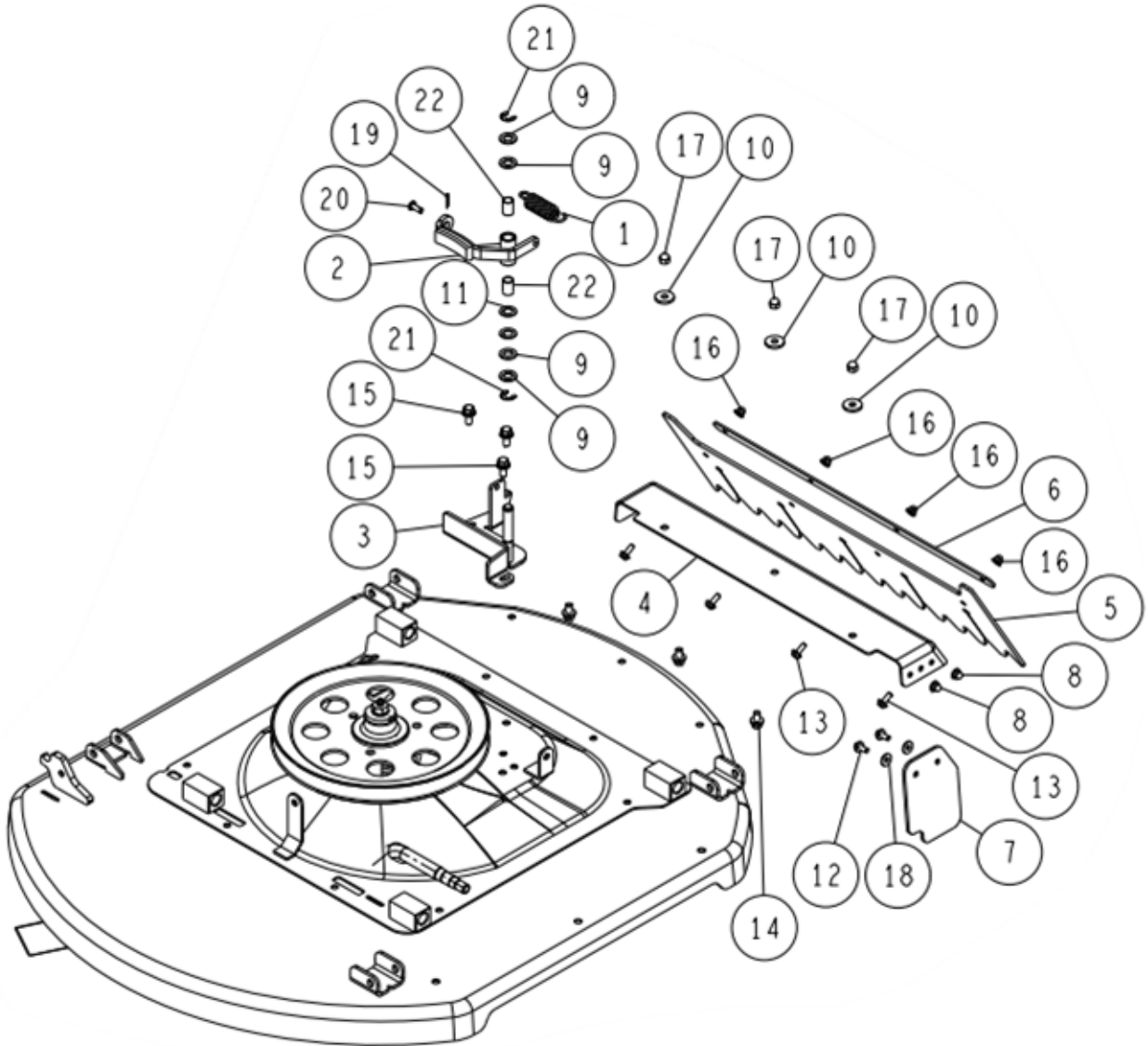
|     |                |                                 |          |        |         |
|-----|----------------|---------------------------------|----------|--------|---------|
| 17  | 89-2131-100002 | Snap Pin 10                     | 2        | 2      |         |
| 16  | 89-1714-100002 | Flat Washer 10                  | 2        | 2      |         |
| 15  | 89-1713-080002 | Flat Washer 8 (large)           | 1        | 1      |         |
| 14  | 89-1713-060002 | Flat Washer 6 (large)           | 4        | 4      |         |
| 13  | 89-1611-080042 | Mini Hexagonal Nut M8           | 1        | 1      |         |
| 12  | 89-1561-080002 | Mini Hexagonal U Nut M8         | 1        | 1      |         |
| 11  | 89-1213-080252 | Mini Hexagonal Bolt (8T) M8*25  | 1        | 1      |         |
| 10  | 89-1137-060172 | Hexagonal Bolt (PW) M6*17       | 4        | 4      |         |
| 9   | 83-1751-311-00 | Flat Washer 8*25*2.3            | 1        | 1      |         |
| 8   | 0342-5020H     | Right Cover CMP (Metallic Grey) | 1        |        |         |
|     | 0342-50203     | Right Cover CMP (Grey)          |          | 1      |         |
| 7   | 0341-50600     | Stepped Bolt M8                 | 1        | 1      |         |
| 6   | 0341-50500     | Right Cover Up/Down Arm CMP     | 1        | 1      |         |
| 5   | 0312-77500     | Flange Cap Nut M6 (Meck)        | 4        | 4      |         |
| 4   | 0312-23200     | Brake Stopper Return Spring     | 1        | 1      |         |
| 3   | 0290-50200     | Side Flapper (Back Right)       | 1        | 1      |         |
| 2   | 0255-60300     | Right Cover Flapper             | 1        | 1      |         |
| 1   | 0244-63900     | Round Head Pin 10*72            | 2        | 2      |         |
| No. | Parts Code     | Name of the Parts               | RM983F/X | RM982F | Remarks |
|     |                |                                 | Q'ty     |        |         |

## Cutting Section 3/6



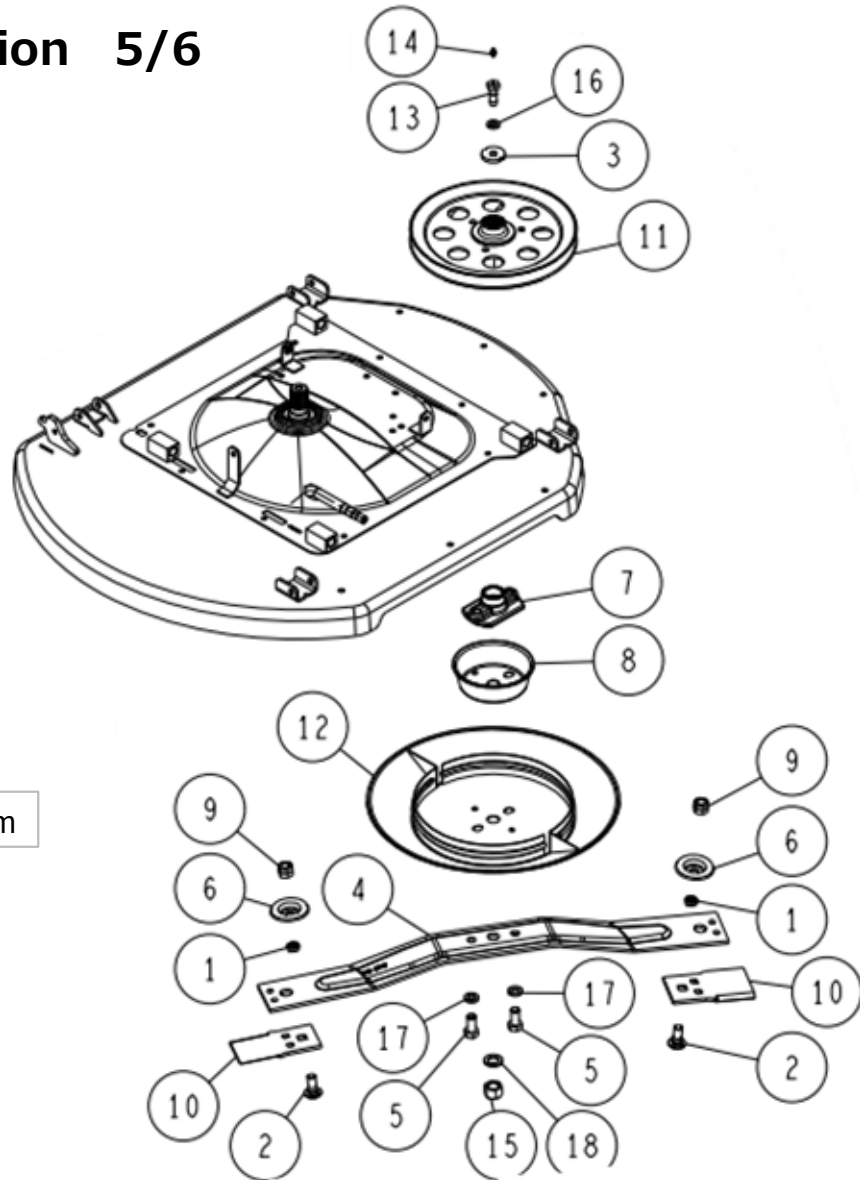
|     |                |                                  |          |        |         |
|-----|----------------|----------------------------------|----------|--------|---------|
| 12  | 89-2131-100002 | Snap Pin 10                      | 2        | 2      |         |
| 11  | 89-1714-100002 | Flat Washer 10                   | 4        | 4      |         |
| 10  | 89-1713-060002 | Flat Washer 6 (large)            | 4        | 4      |         |
| 9   | 89-1671-080042 | Mini Cap Nut M8                  | 3        | 3      |         |
| 8   | 89-1233-080202 | Mini Hexagonal Bolt (PWSW) M8*20 | 3        | 3      |         |
| 7   | 89-1137-060172 | Hexagonal Bolt (PW) M6*17        | 4        | 4      |         |
| 6   | 83-1751-312-00 | Washer 8*25*3.2                  | 3        | 3      |         |
| 5   | 0347-54200     | Rear Side Flapper (L)            | 1        | 1      |         |
| 4   | 0312-77500     | Flange Cap Nut M6 (Meck)         | 4        | 4      |         |
| 3   | 0312-5221H     | Left Cover CMP (Metallic Grey)   | 1        |        |         |
|     | 0312-52213     | Left Cover CMP (Grey)            |          | 1      |         |
| 2   | 0244-63900     | Round Head Pin 10*72             | 2        | 2      |         |
| 1   | 0244-61800     | Side Flapper (Front)             | 1        | 1      |         |
| No. | Parts Code     | Name of the Parts                | RM983F/X | RM982F | Remarks |
|     |                |                                  | Q'ty     |        |         |

## Cutting Section 4/6



|     |                |   |          |        |         |
|-----|----------------|---|----------|--------|---------|
| 22  | 89-3510-012200 | DU Bush 12.20                             | 2        | 2      |         |
| 21  | 89-2521-000100 | E Type Ring 10                            | 2        | 2      |         |
| 20  | 89-2181-060162 | Flat Head Pin 6*16                        | 1        | 1      |         |
| 19  | 89-2120-200152 | Split Pin 2*15                            | 1        | 1      |         |
| 18  | 89-1713-060002 | Flat Washer 6 (large)                     | 2        | 2      |         |
| 17  | 89-1671-080042 | Mini Cap Nut M8                           | 3        | 3      |         |
| 16  | 89-1581-060042 | Flange Cap Nut M6                         | 4        | 4      |         |
| 15  | 89-1233-080202 | Mini Hexagonal Bolt (PWSW) M8*20          | 3        | 3      |         |
| 14  | 89-1233-080162 | Mini Hexagonal Bolt (PWSW) M8*16          | 3        | 3      |         |
| 13  | 89-1137-060172 | Hexagonal Bolt (PW) M6*17                 | 4        | 4      |         |
| 12  | 89-1137-060152 | Hexagonal Bolt (PW) M6*15                 | 2        | 2      |         |
| 11  | 83-1754-329-00 | Washer 13*22*1.0                          | 2        | 2      |         |
| 10  | 83-1751-312-00 | Washer 8*25*3.2                           | 3        | 3      |         |
| 9   | 83-1565-329-00 | Washer 13*22*2.3                          | 4        | 4      |         |
| 8   | 0312-77500     | Flange Cap Nut M6 (Meck)                  | 2        | 2      |         |
| 7   | 0312-50700     | Side Rear Flapper (L)                     | 1        | 1      |         |
| 6   | 0244-6140H     | Rear Guard Flapper Holder (Metallic Grey) | 1        | 1      |         |
| 5   | 0244-61300     | Rear Guard Flapper                        | 1        | 1      |         |
| 4   | 0244-6120H     | Rear Guard (Metallic Grey)                | 1        | 1      |         |
| 3   | 0244-5071H     | Knife Brake Bracket CMP (Metallic Grey)   | 1        | 1      |         |
| 2   | 0244-5060H     | Knife Brake (Metallic Grey)               | 1        | 1      |         |
| 1   | 80-1485-551-00 | Driving Tension Spring                    | 1        | 1      |         |
| No. | Parts Code     | Name of the Parts                         | RM983F/X | RM982F | Remarks |
|     |                |   | Q'ty     |        |         |

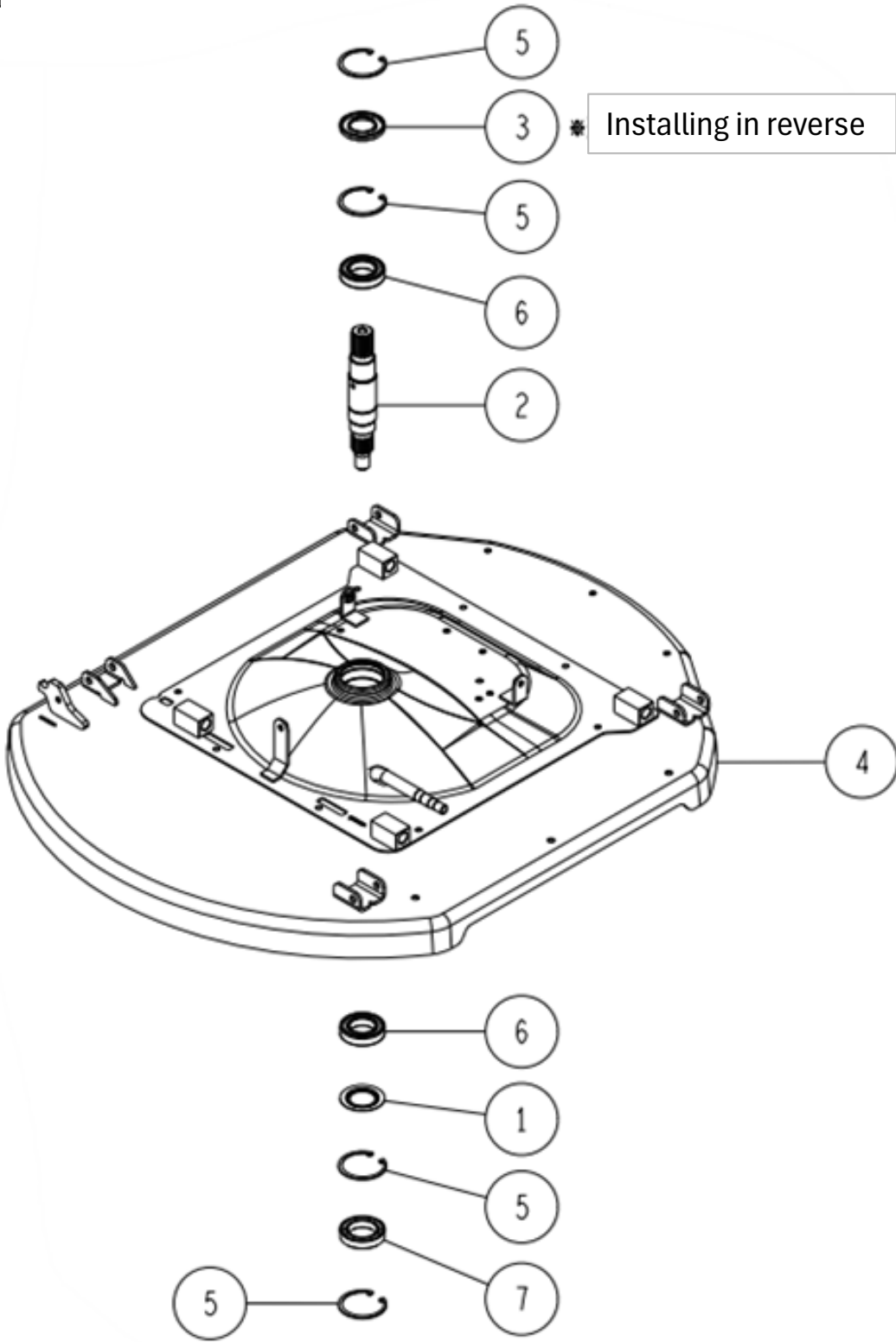
## Cutting Section 5/6



One set for top and bottom

|     |                |  |          |        |                             |
|-----|----------------|--|----------|--------|-----------------------------|
| -   | 0322-52000     | Nipple Bolt Set                              | 1        | 1      | 13、14                       |
| -   | 0244-78010     | Knife & Blade Bolt Set RM85                  | 1        | 1      | 1、2、6、9、10 (2は4ヶ在中)         |
| -   | 0244-78210     | Knife Setting Bolt Set M14                   | 2        | 2      | 2、6、9 (2は2ヶ在中)              |
| 18  | 89-1750-200002 | Spring Washer 20                             | 1        | 1      |                             |
| 17  | 89-1750-140002 | Spring Washer 14                             | 2        | 2      |                             |
| 16  | 89-1750-120002 | Spring Washer 12                             | 1        | 1      |                             |
| 15  | 83-1483-175-00 | Bag Nut M20 (Lock)                           | 1        | 1      |                             |
| 14  | 83-1415-975-00 | Grease Nipple M6                             | 1        | 1      |                             |
| 13  | 0322-52200     | Nipple Bolt M12*35 (8T)                      | 1        | 1      |                             |
| 12  | 0312-5180H     | Washer Plate CMP (Metallic Grey)             | 1        | 1      |                             |
| 11  | 0312-5030H     | Knife Pulley CMP (Metallic Grey)             | 1        | 1      |                             |
| 10  | 0244-89100     | Blade RM85                                   | 2        | 2      |                             |
| 9   | 0244-74600     | Hard Lock Nut M14                            | 2        | 2      | ※One set for top and bottom |
| 8   | 0244-5210H     | Knife Neck Guard (Metallic Grey)             | 1        | 1      |                             |
| 7   | 0244-5190H     | Knife Bracket (Metallic Grey)                | 1        | 1      |                             |
| 6   | 0244-51800     | Nut Guard 14                                 | 2        | 2      |                             |
| 5   | 0244-51600     | Mini Hexagonal Bolt (8T) M14*30 (Knife Stay) | 2        | 2      |                             |
| 4   | 0244-51200     | Knife Stay (R817B)                           | 1        | 1      | For Hi-Cut                  |
|     | 0244-51100     | Knife Stay (R817A)                           | 1        | 1      |                             |
| 3   | 0221-76100     | Washer 12*40*6                               | 1        | 1      |                             |
| 2   | 0207-50200     | Knife Setting Bolt M14*34                    | 2        | 2      |                             |
| 1   | 80-1483-818-00 | Knife Collar                                 | 2        | 2      |                             |
| No. | Parts Code     | Name of the Parts                            | RM983F/X | RM982F | Remarks                     |
|     |                |  | Q'ty     |        |                             |

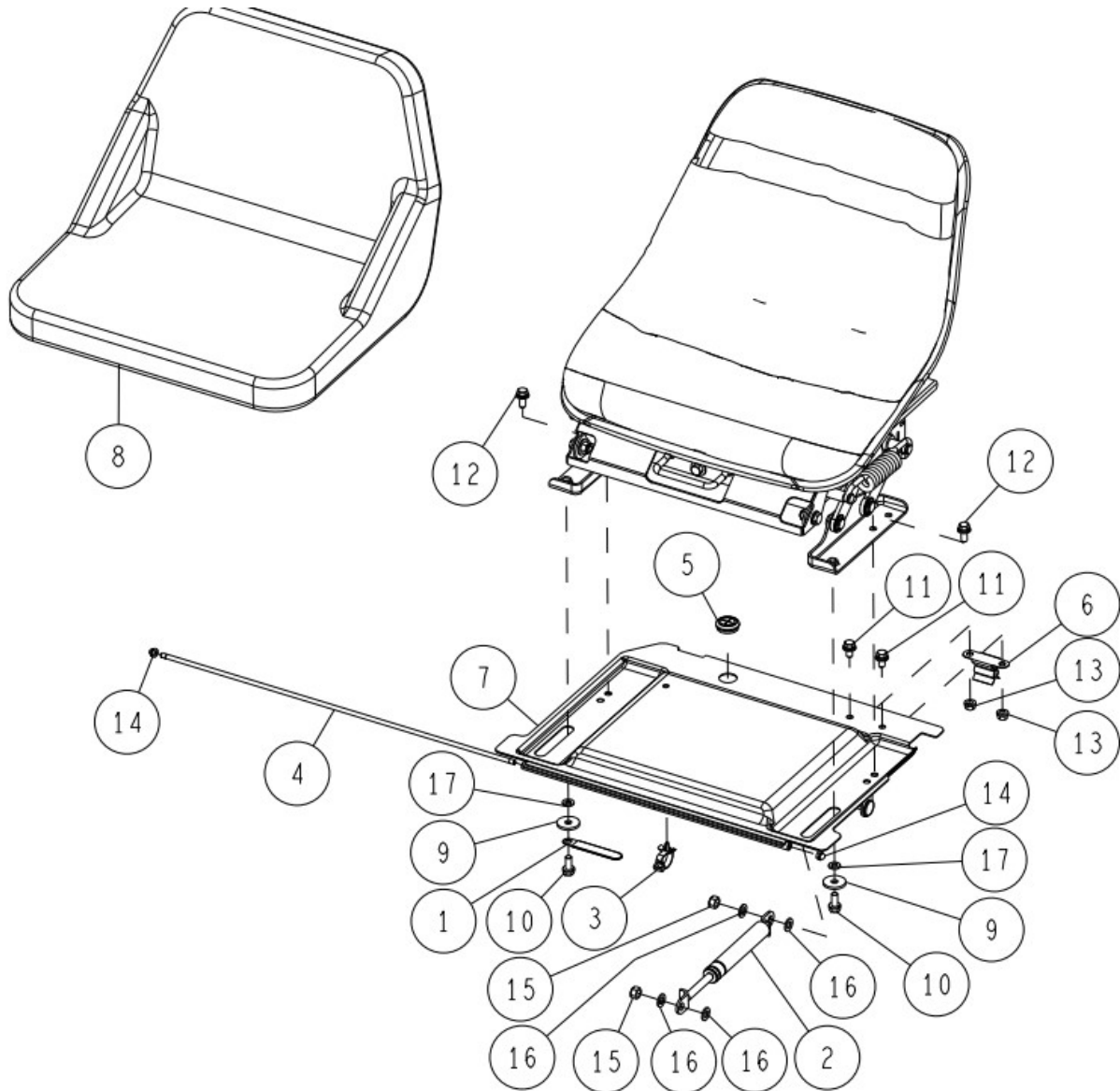
# Cutting Section 6/6



\* Installing in reverse

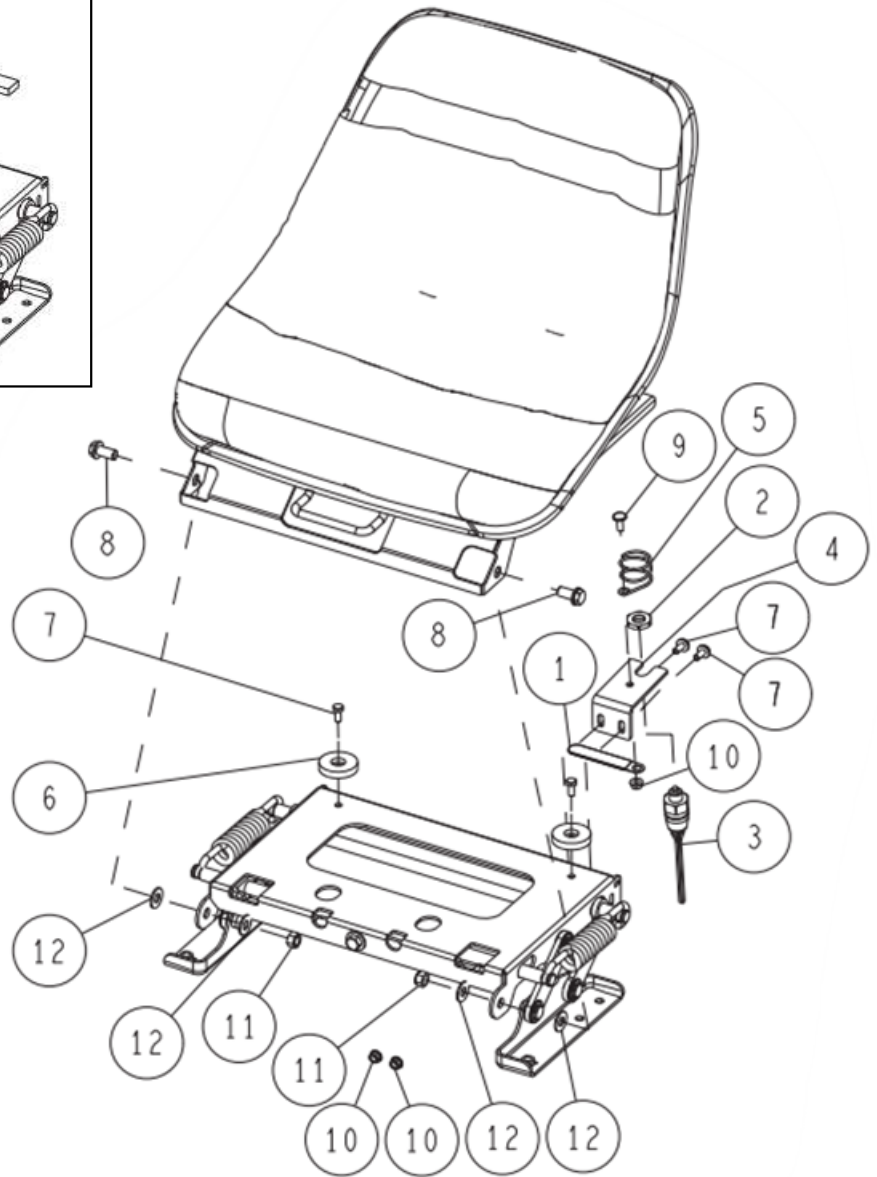
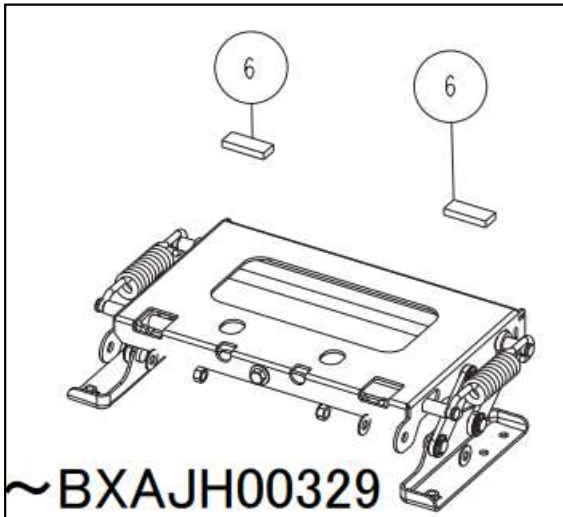
|     |                |                                  |          |        |                        |
|-----|----------------|----------------------------------|----------|--------|------------------------|
| 7   | 89-5121-406212 | Oil Seal UE 40.62.12             | 1        | 1      |                        |
| 6   | 89-3115-060074 | Bearing 6007 2RS                 | 2        | 2      |                        |
| 5   | 89-2512-000620 | Snap Ring (R62)                  | 4        | 4      |                        |
| 4   | 0347-5410H     | Safety Cover CMP (Metallic Grey) | 1        |        |                        |
|     | 0347-54103     | Safety Cover CMP (Grey)          |          | 1      |                        |
| 3   | 0322-72700     | Oil Seal UE 35.62.6              | 1        | 1      | ※Installing in reverse |
| 2   | 0322-52100     | Vertical Shaft                   | 1        | 1      |                        |
| 1   | 0262-50100     | Dust Plate                       | 1        | 1      |                        |
| No. | Parts Code     | Name of the Parts                | RM983F/X | RM982F | Remarks                |
|     |                |                                  | Q'ty     |        |                        |

# Seat Section 1/4



|     |                |                                  |          |        |         |
|-----|----------------|----------------------------------|----------|--------|---------|
| 17  | 89-1750-080002 | Spring Washer 8                  | 2        | 2      |         |
| 16  | 89-1711-100002 | Flat Washer 10*18*1.6            | 4        | 4      |         |
| 15  | 89-1561-100002 | Mini Hexagonal U Nut M10         | 2        | 2      |         |
| 14  | 89-1553-060002 | Bag Hexagonal U Nut M6           | 2        | 2      |         |
| 13  | 89-1543-080002 | Mini Hexagonal Nut (SW) M8       | 2        | 2      |         |
| 12  | 89-1233-080202 | Mini Hexagonal Bolt (PWSW) M8*20 | 2        | 2      |         |
| 11  | 89-1233-080162 | Mini Hexagonal Bolt (PWSW) M8*16 | 2        | 2      |         |
| 10  | 89-1232-080202 | Mini Hexagonal Bolt (SW) M8*20   | 2        | 2      |         |
| 9   | 83-1415-312-00 | Washer 8*30*3.2                  | 2        | 2      |         |
| 8   | 0322-73100     | Seat Cover (option)              | 1        | 1      |         |
| 7   | 0322-2160G     | Seat Bracket CMP (Green)         | 1        |        | OR      |
|     | 0322-2160H     | Seat Bracket CMP (Metallic Grey) | 1        |        | YB      |
|     | 0322-21603     | Seat Bracket CMP (Grey)          |          | 1      | YB      |
|     | 0322-21601     | Seat Bracket CMP (White)         | 1(IA)    | 1      | OR+IA   |
| 6   | 0312-70700     | Bonnet Clip                      | 1        | 1      |         |
| 5   | 0244-73700     | Grommet 24                       | 1        | 1      |         |
| 4   | 0244-22200     | Seat Bracket Shaft               | 1        | 1      |         |
| 3   | 0221-71900     | Clip CT-339                      | 1        | 1      |         |
| 2   | 0207-72700     | Gas Spring KMF 50-40             | 1        | 1      |         |
| 1   | 80-1792-988-00 | Harness Clip 8                   | 1        | 1      |         |
| No. | Parts Code     | Name of the Parts                | RM983F/X | RM982F | Remarks |
|     |                |                                  | Q'ty     |        |         |

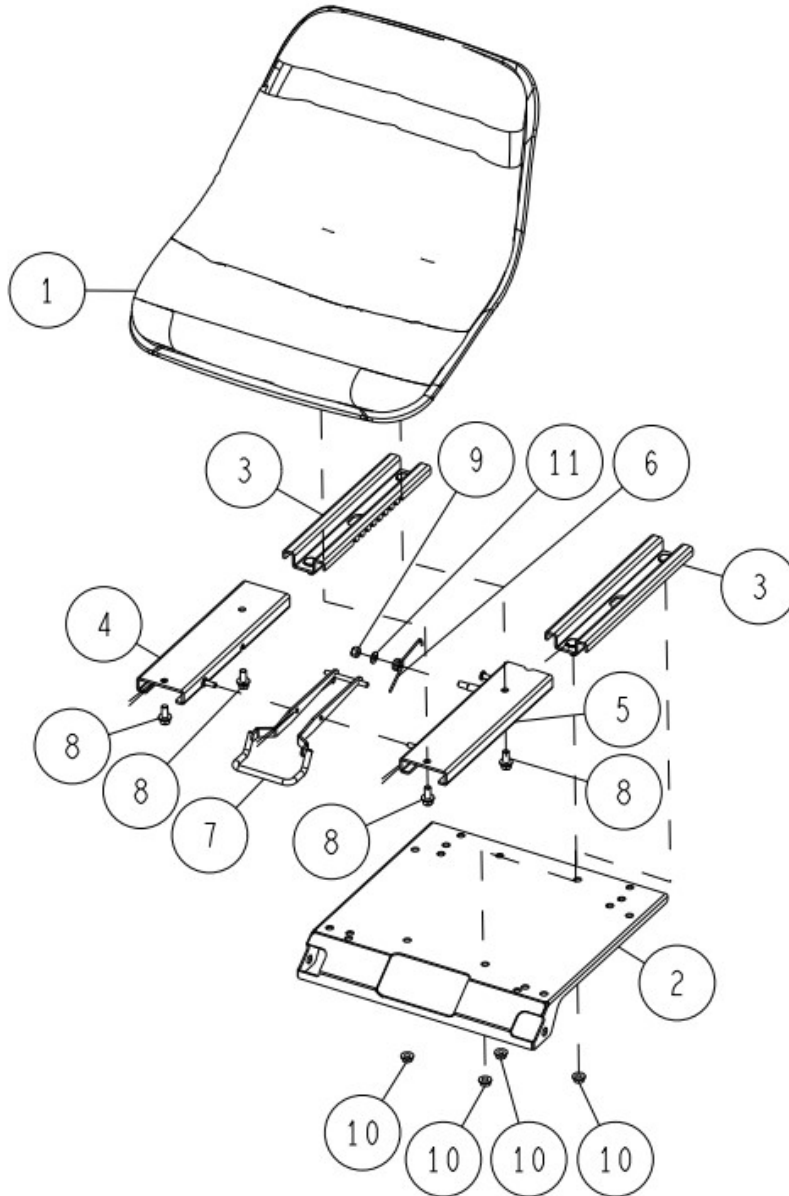
Seat Section 2/4



BXAJJ00330~

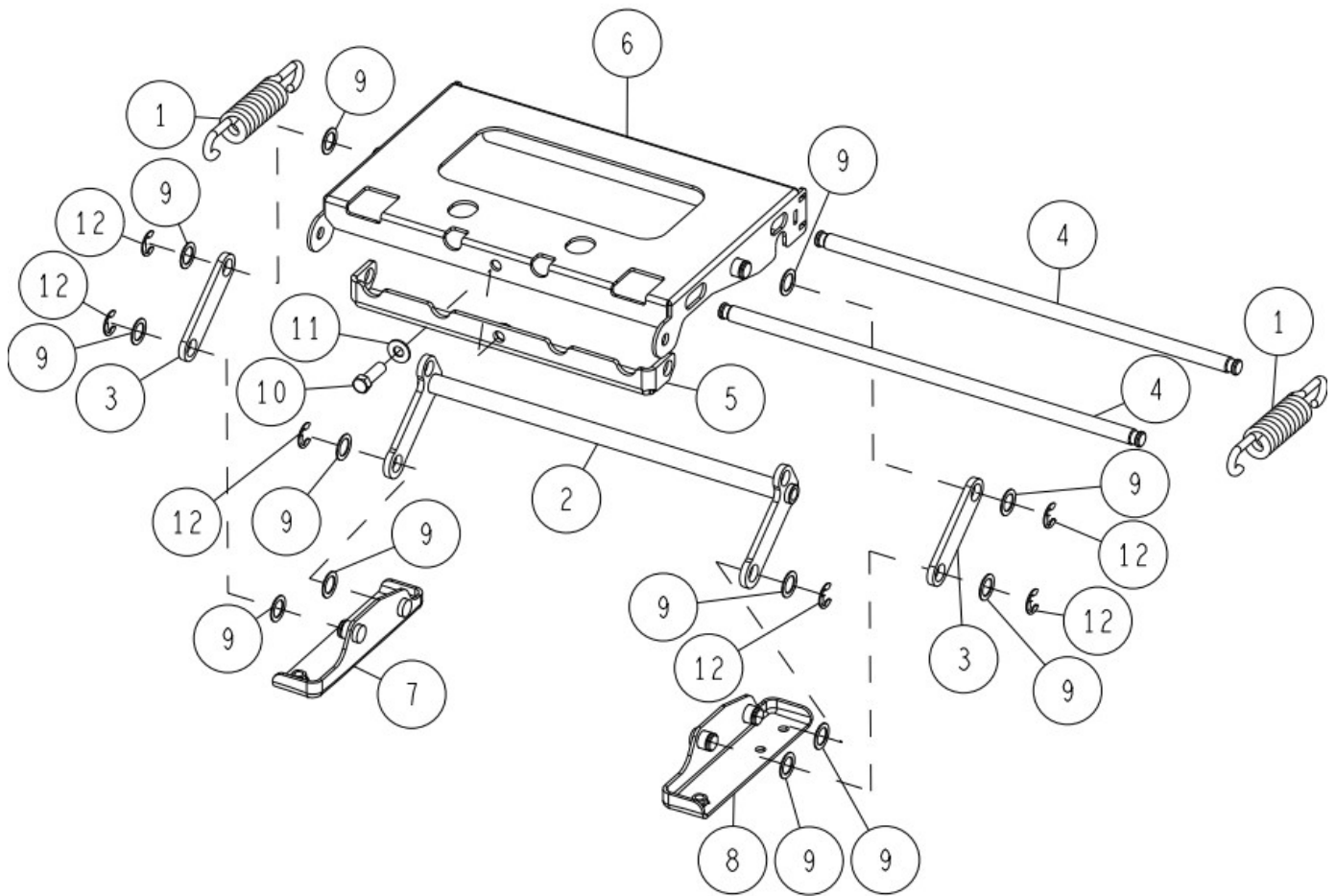
|     |                |  |          |        |             |
|-----|----------------|--|----------|--------|-------------|
| 12  | 89-1714-100002 | Flat Washer 10                         | 4        | 4      |             |
| 11  | 89-1561-100002 | Mini Hexagonal U Nut M10               | 2        | 2      |             |
| 10  | 89-1531-060042 | Flange Nut M6                          | 3        | 3      |             |
| 9   | 89-1390-060162 | Welded Bolt M6*16                      | 1        | 1      |             |
| 8   | 89-1253-100202 | Flange Mini Hexagonal Bolt (8T) M10*20 | 2        | 2      |             |
| 7   | 89-1137-060152 | Hexagonal Bolt (PW) M6*15              | 4        | 2      |             |
| 6   | 0312-22300     | Rubber, Seat Spacer                    | 2        | 2      | ~BXAJH00329 |
|     | 0342-22100     | Rubber, Seat Spacer                    | 2        | 2      | BXAJJ00330~ |
| 5   | 0341-21700     | Seat Switch Spring                     | 1        | 1      |             |
| 4   | 0341-21600     | Seat Switch Stay                       | 1        | 1      |             |
| 3   | 0207-74400     | Safety Switch K17850                   | 1        | 1      |             |
| 2   | 0207-72800     | Switch Lock Nut                        | 1        | 1      |             |
| 1   | 80-1792-988-00 | Harness Clip 8                         | 1        | 1      |             |
| No. | Parts Code     | Name of the Parts                      | RM983F/X | RM982F | Remarks     |
|     |                |  | Q'ty     |        |             |

## Seat Section 3/4



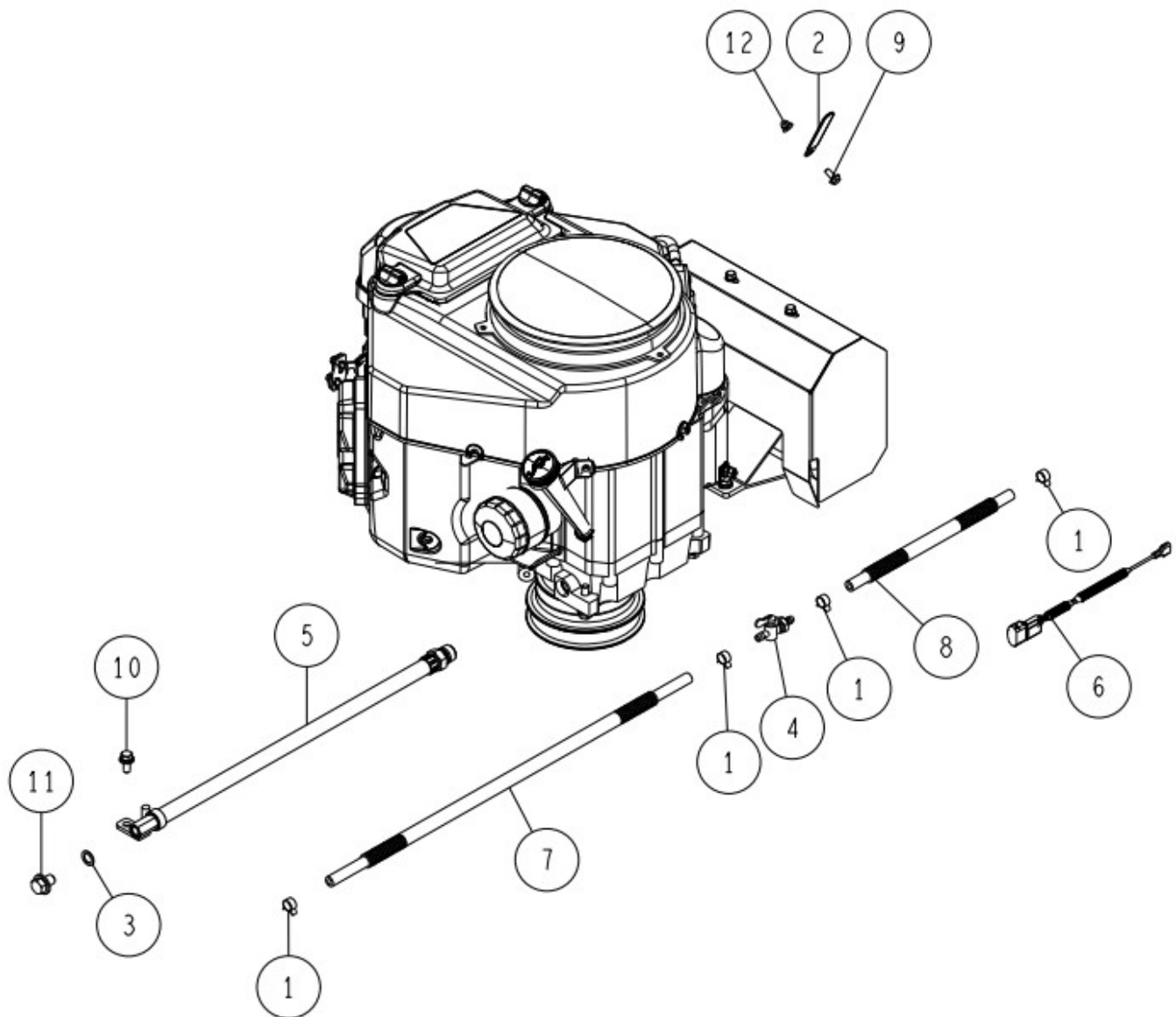
|     |                |                                     |          |             |          |
|-----|----------------|-------------------------------------|----------|-------------|----------|
| 11  | 89-1711-080002 | Flat Washer 8                       | 1        | 1           |          |
| 10  | 89-1631-080002 | Mini Hexagonal Nut M8               | 4        | 4           |          |
| 9   | 89-1561-080002 | Mini Hexagonal U Nut M8             | 1        | 1           |          |
| 8   | 89-1233-080202 | Mini Hexagonal Bolt (PWSW) M8*20    | 4        | 4           |          |
| 7   | 0341-2180H     | Slide Lever CMP (Metallic Grey)     | 1        |             | YB       |
|     | 0341-21803     | Slide Lever CMP (Grey)              |          | 1           | IA•OR•YB |
|     | 0341-21801     | Slide Lever CMP (White)             | 1        |             | OR•IA    |
| 6   | 0341-21500     | Seat Lever Spring                   | 1        | 1           |          |
| 5   | 0341-2140H     | Upper Slide CMP (L) (Metallic Grey) | 1        |             | YB       |
|     | 0341-21403     | Upper Slide CMP (L) (Grey)          |          | 1           | IA•OR•YB |
|     | 0341-21401     | Upper Slide CMP (L) (White)         | 1        |             | OR•IA    |
| 4   | 0341-2130H     | Upper Slide CMP (R) (Metallic Grey) | 1        |             | YB       |
|     | 0341-21303     | Upper Slide CMP (R) (Grey)          |          | 1           | IA•OR•YB |
|     | 0341-21301     | Upper Slide CMP (R) (White)         | 1        |             | OR•IA    |
| 3   | 0341-2120H     | Lower Slide CMP (Metallic Grey)     | 2        |             | YB       |
|     | 0341-21203     | Lower Slide CMP (Grey)              |          | 2           | IA•OR•YB |
|     | 0341-21201     | Lower Slide CMP (White)             | 2        |             | OR•IA    |
| 2   | 0341-2110H     | Seat Receiver (Metallic Grey)       | 1        |             | YB       |
|     | 0341-21101     | Seat Receiver CMP (White)           | 1(IA,OR) | 1(IA,OR,YB) | IA,OR,YB |
| 1   | 0284-78100     | Seat K4 (Black)                     | 1        | 1           |          |
| No. | Parts Code     | Name of the Parts                   | RM983F/X | RM982F      | Remarks  |
|     |                |                                     | Q'ty     |             |          |

## Seat Section 4/4



|     |                |  |          |        |         |
|-----|----------------|--|----------|--------|---------|
| 12  | 89-2521-000120 | E Type Ring 12                             | 6        | 6      |         |
| 11  | 89-1714-100002 | Flat Washer 10                             | 1        | 1      |         |
| 10  | 89-1211-100302 | Mini Hexagonal Bolt M10*30                 | 1        | 1      |         |
| 9   | 83-1020-363-00 | Thrust Washer 16*24*1.0                    | 12       | 12     |         |
| 8   | 0348-2120G     | Link Upper Bracket (L) CMP (Green)         | 1        |        | OR      |
|     | 0348-2120H     | Link Upper Bracket (L) CMP (Metallic Grey) | 1        |        | YB      |
|     | 0348-21201     | Link Upper Bracket (L) CMP (White)         | 1        | 1      | IA      |
| 7   | 0348-2110G     | Link Upper Bracket (R) CMP (Green)         | 1        |        | OR      |
|     | 0348-2110H     | Link Upper Bracket (R) CMP (Metallic Grey) | 1        |        | YB      |
|     | 0348-21101     | Link Upper Bracket (R) CMP (White)         | 1        | 1      | IA      |
| 6   | 0341-2190H     | Link Upper Bracket CMP (Metallic Grey)     | 1        |        | YB      |
|     | 0341-21901     | Link Upper Bracket CMP (White)             | 1        | 1      | IA•OR   |
| 5   | 0312-2210H     | Spring Shaft Hook CMP (Metallic Grey)      | 1        |        | YB      |
|     | 0312-22101     | Spring Shaft Hook CMP (White)              | 1        | 1      | IA•OR   |
| 4   | 0312-21800     | Spring Shaft                               | 2        | 2      |         |
| 3   | 0312-2170H     | Seat Parallel Link (B) (Metallic Grey)     | 2        |        | YB      |
|     | 0312-21701     | Seat Parallel Link (B) (White)             | 2        | 2      | IA•OR   |
| 2   | 0312-2160H     | Parallel Seat Link CMP (Metallic Grey)     | 1        |        | YB      |
|     | 0312-21601     | Parallel Seat Link CMP (White)             | 1        | 1      | IA•OR   |
| 1   | 0244-71200     | Spring for Seat Link                       | 2        | 2      |         |
| No. | Parts Code     | Name of the Parts                          | RM983F/X | RM982F | Remarks |
|     |                |  | Q'ty     |        |         |

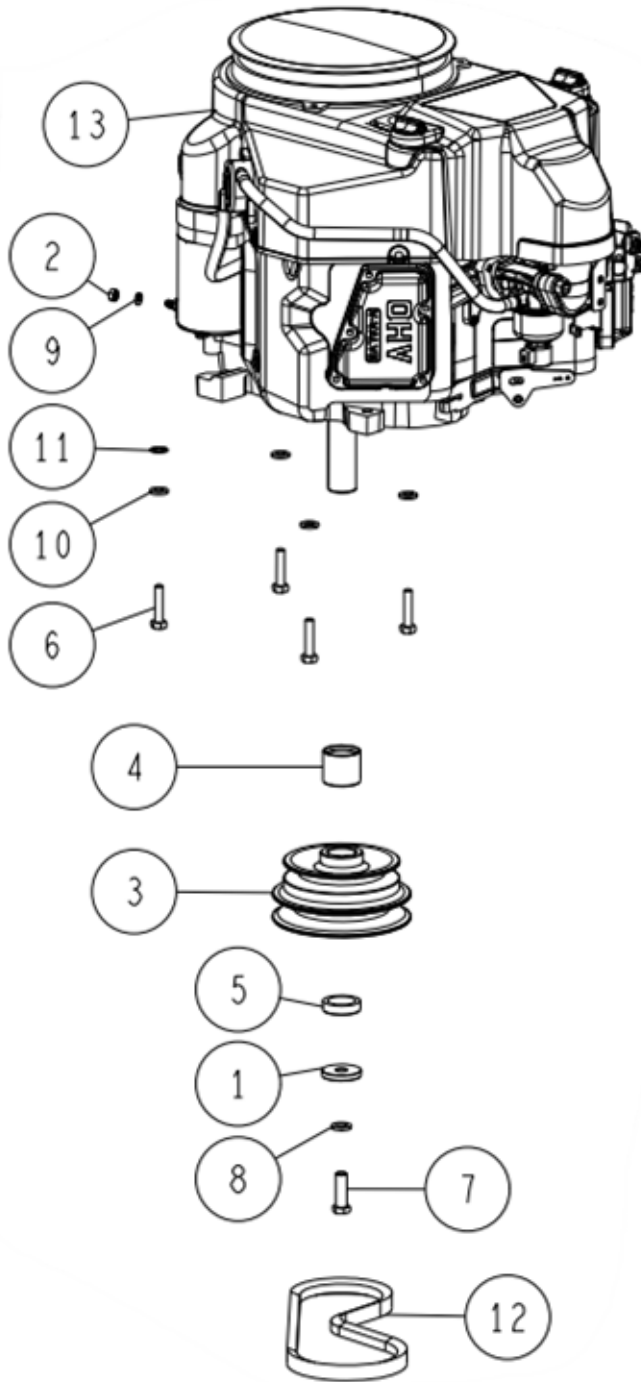
## KAWASAKI Engine 1/3



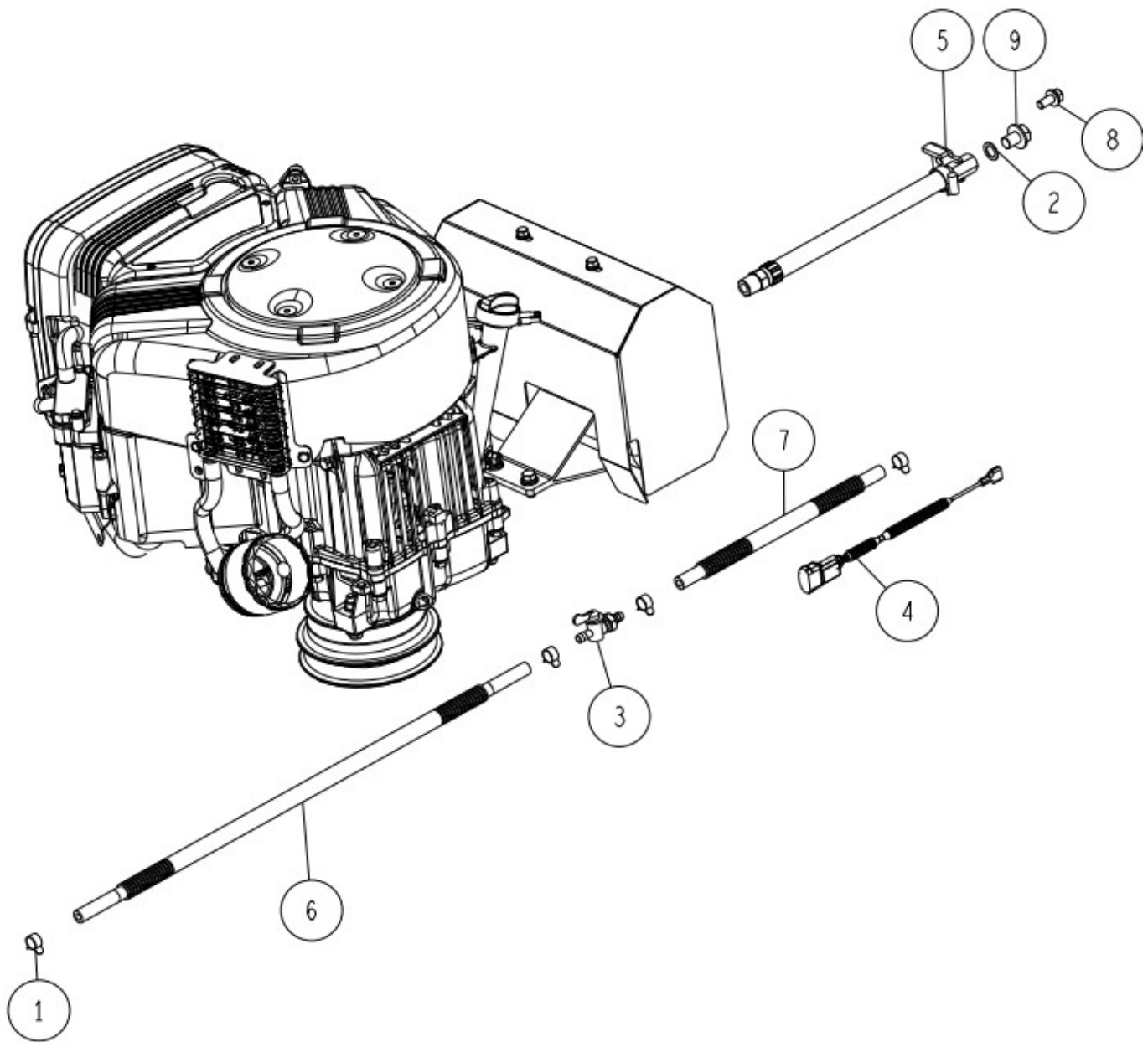
|     |                |                                   |          |        |                 |
|-----|----------------|-----------------------------------|----------|--------|-----------------|
| -   | 0322-74000     | Fuel Cock Assy (K)                | 1        | 1      | 1×2ヶ、5、12       |
| -   | 0322-72500     | Fuel Hose 270L & Clip             | 1        | 1      | 1×2、12          |
| -   | 0322-72400     | Fuel Hose 600L & Clip             | 1        | 1      | 1×2、11          |
| 12  | 89-1531-060042 | Flange Nut M6                     | 1        | 1      |                 |
| 11  | 89-1251-120152 | Flange Mini Hexagonal Bolt M12*15 | 1        | 1      |                 |
| 10  | 89-1233-080202 | Mini Hexagonal Bolt (PWSW) M8*20  | 1        | 1      |                 |
| 9   | 89-1137-060152 | Hexagonal Bolt (PW) M6*15         | 1        | 1      |                 |
| 8   | 0322-70500     | Fuel Hose 270L                    | 1        | 1      |                 |
| 7   | 0322-70400     | Fuel Hose 600L                    | 1        | 1      |                 |
| 6   | 0312-77300     | Harness (K)                       | 1        | 1      |                 |
| 5   | 0312-44100     | Oil Drain Assy (K)                | 1        | 1      | P16 O-Ring Incl |
| 4   | 0244-74500     | Fuel Cock                         | 1        | 1      |                 |
| 3   | 0207-74900     | Copper Packing 12.5*19*1.0        | 1        | 1      |                 |
| 2   | 80-1792-988-00 | Harness Clip 8                    | 1        | 1      |                 |
| 1   | 80-1483-988-00 | Hose Clip 17                      | 4        | 4      |                 |
| No. | Parts Code     | Name of the Parts                 | RM983F/X | RM982F | Remarks         |
|     |                |                                   | Q'ty     |        |                 |



# KAWASAKI Engine 3/3

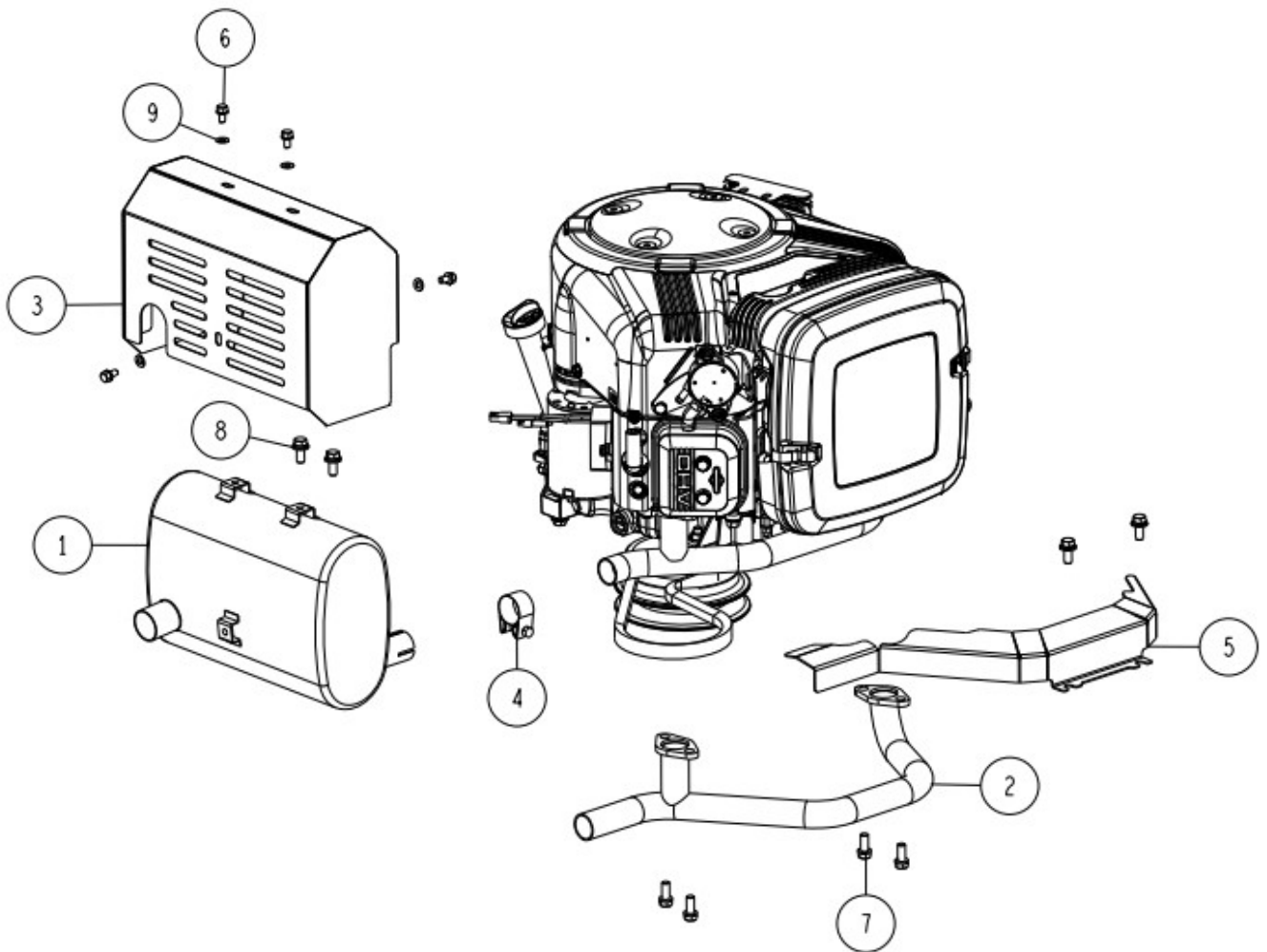


|     |                |                                   |          |        |         |
|-----|----------------|-----------------------------------|----------|--------|---------|
| 13  | 9025-0010      | Kawasaki Engine FS691V-AG80       | 1        | 1      |         |
| 12  | 89-6123-003202 | V Belt SB-32 (W800)               | 1        | 1      |         |
| 11  | 89-1812-100002 | Toothed Washer (inside) 10        | 1        | 1      |         |
| 10  | 89-1750-100002 | Spring Washer 10                  | 4        | 4      |         |
| 9   | 89-1750-060002 | Spring Washer 6                   | 1        | 1      |         |
| 8   | 83-1493-300-00 | Spring Washer 7/16                | 1        | 1      |         |
| 7   | 83-1437-115-00 | Hexagonal Bolt (8T) UNF7/16*35    | 1        | 1      |         |
| 6   | 0312-42100     | Hexagonal Bolt (8T) UNC 3/8-16*38 | 4        | 4      |         |
| 5   | 0244-41200     | Sub Engine Collar (21HP)          | 1        | 1      |         |
| 4   | 0244-41100     | Engine Collar                     | 1        | 1      |         |
| 3   | 0227-40500     | Engine Pulley                     | 1        | 1      |         |
| 2   | 0207-76300     | Nut UNF 1/4                       | 1        | 1      |         |
| 1   | 80-1487-516-00 | Washer 11*40*6                    | 1        | 1      |         |
| No. | Parts Code     | Name of the Parts                 | RM983F/X | RM982F | Remarks |
|     |                |                                   | Q'ty     |        |         |



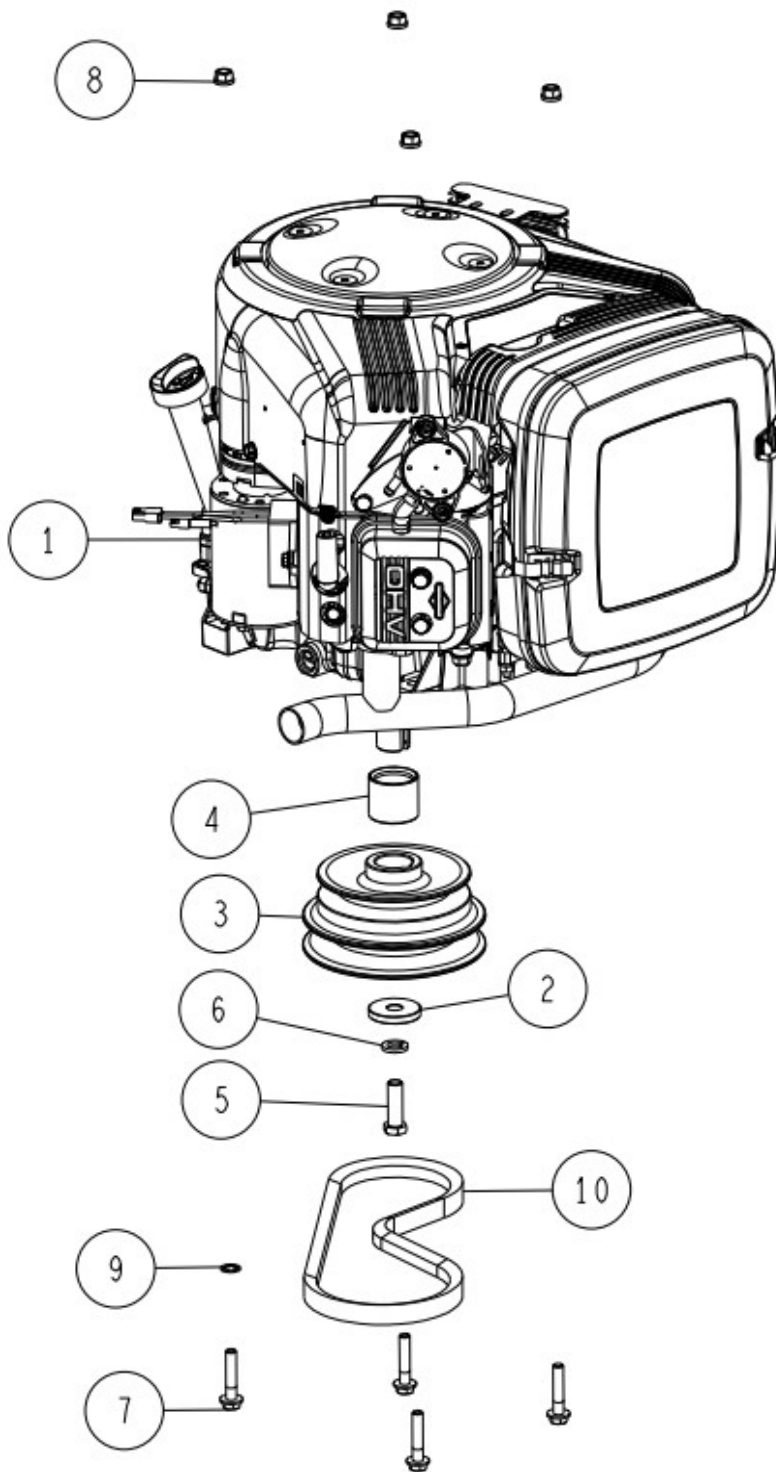
|     |                |                                   |          |        |                |
|-----|----------------|-----------------------------------|----------|--------|----------------|
| -   | 0322-74000     | Fuel Cock Assy (K)                | 1        | 1      | 1 × 2pcs , 3、7 |
| -   | 0322-72500     | Fuel Hose 270L & Clip             | 1        | 1      | 1 × 2pcs , 7   |
| -   | 0322-72400     | Fuel Hose 600L & Clip             | 1        | 1      | 1 × 2pcs , 6   |
| 9   | 89-1251-120152 | Flange Mini Hexagonal Bolt M12*15 | 1        | 1      |                |
| 8   | 89-1233-080202 | Mini Hexagonal Bolt (PWSW) M8*20  | 1        | 1      |                |
| 7   | 0322-70500     | Fuel Hose 270L                    | 1        | 1      |                |
| 6   | 0322-70400     | Fuel Hose 600L                    | 1        | 1      |                |
| 5   | 0322-43100     | Oil Drain Hose Assy (B&S)         | 1        | 1      |                |
| 4   | 0312-77400     | Harness (B&S)                     | 1        | 1      |                |
| 3   | 0244-74500     | Fuel Cock                         | 1        | 1      |                |
| 2   | 0207-74900     | Copper Packing 12.5*19*1.0        | 1        | 1      |                |
| 1   | 80-1483-988-00 | Hose Clip 17                      | 4        | 4      |                |
| No. | Parts Code     | Name of the Parts                 | RM983F/X | RM982F | Remarks        |
|     |                |                                   | Q'ty     |        |                |

B&S Engine 2/3



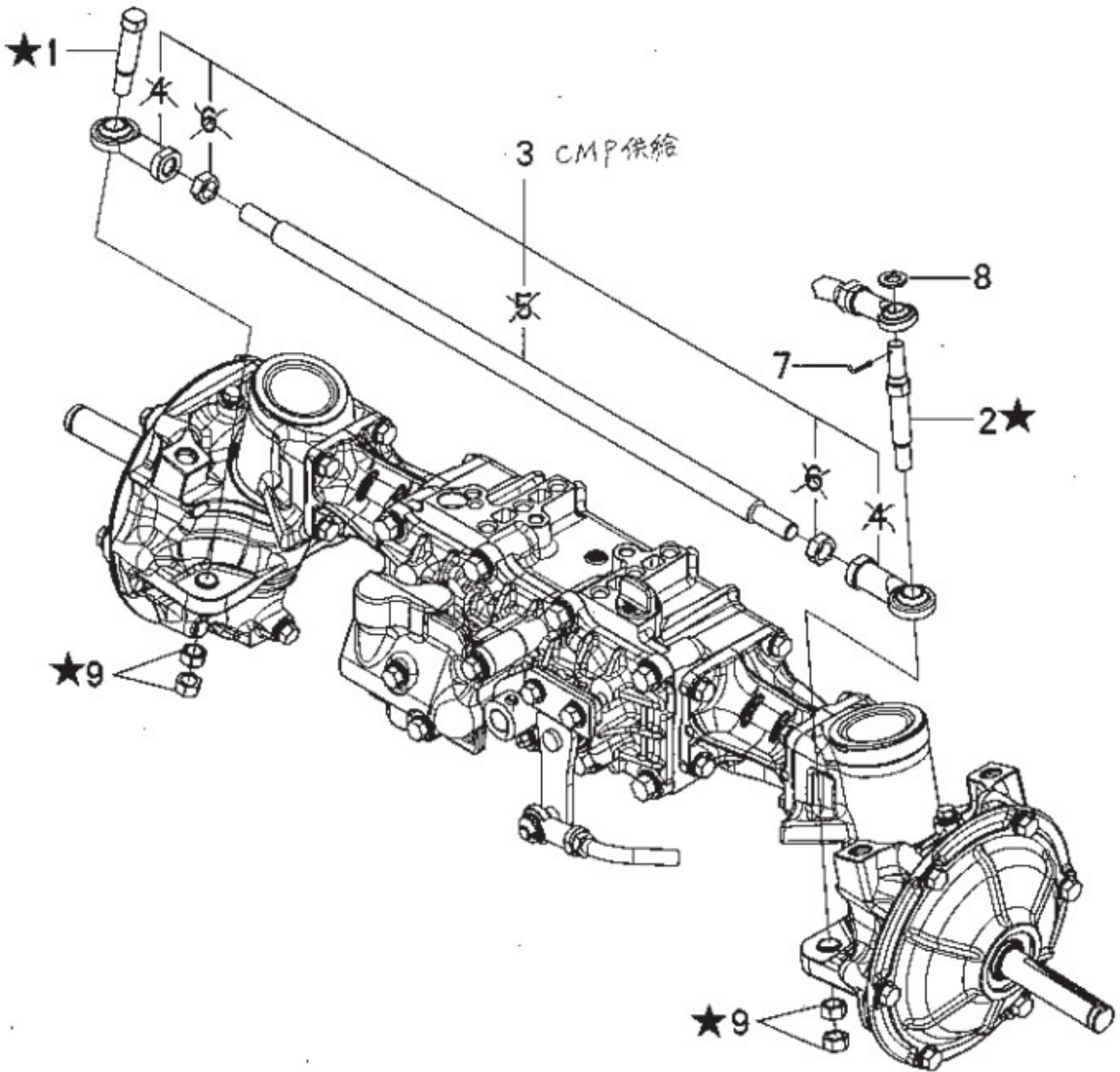
|     |                |                                  |          |        |         |
|-----|----------------|----------------------------------|----------|--------|---------|
| 9   | 89-1711-060002 | Flat Washer 6X13X1.0             | 4        | 4      |         |
| 8   | 89-1543-080002 | Mini Hexagonal Nut (SW) M8       | 4        | 4      |         |
| 7   | 89-1233-080202 | Mini Hexagonal Bolt (PWSW) M8*20 | 4        | 4      |         |
| 6   | 89-1132-060122 | Hexagonal Bolt (SW) M6*12        | 4        | 4      |         |
| 5   | 0329-40600     | Exhaust Pipe Cover               | 1        | 1      |         |
| 4   | 0312-70500     | Muffler Band                     | 1        | 1      |         |
| 3   | 0312-40500     | Muffler Cover CMP                | 1        | 1      |         |
| 2   | 0312-40300     | Exhaust Pipe CMP (B&S)           | 1        | 1      |         |
| 1   | 0312-40100     | Muffler                          | 1        | 1      |         |
| No. | Parts Code     | Name of the Parts                | RM983F/X | RM982F | Remarks |
|     |                |                                  | Q'ty     |        |         |

# B&S Engine 3/3



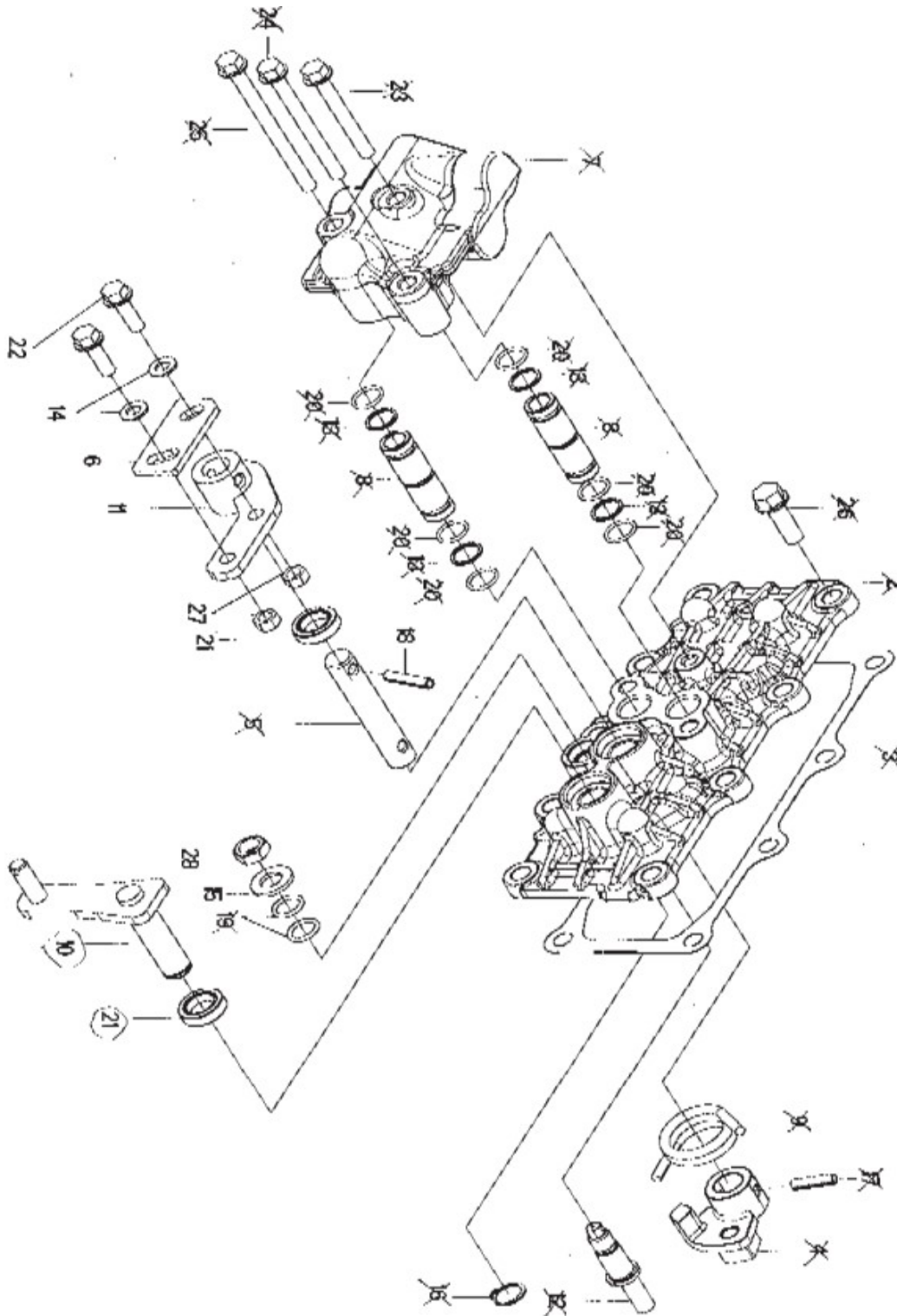
|     |                |                                       |          |        |         |
|-----|----------------|---------------------------------------|----------|--------|---------|
| 10  | 89-6123-003202 | V Belt SB-32 (W800)                   | 1        |        |         |
| 9   | 89-1812-080002 | Toothed Washer (inside) 8             | 1        |        |         |
| 8   | 89-1543-080002 | Mini Hexagonal Nut (SW) M8            | 4        |        |         |
| 7   | 89-1253-080402 | Flange Mini Hexagonal Bolt (8T) M8*40 | 4        |        |         |
| 6   | 83-1493-300-00 | Spring Washer 7/16                    | 1        |        |         |
| 5   | 83-1437-115-00 | Hexagonal Bolt (8T) UNF7/16*35        | 1        |        |         |
| 4   | 0244-41100     | Engine Collar                         | 1        |        |         |
| 3   | 0227-40500     | Engine Pulley                         | 1        |        |         |
| 2   | 80-1487-516-00 | Washer 11*40*6                        | 1        |        |         |
| 1   | 9010-0081      | 386777-0140-B5 (B&S 23HP)             | 1        |        |         |
| No. | Parts Code     | Name of the Parts                     | RM983F/X | RM982F | Remarks |
|     |                |                                       | Q'ty     |        |         |

Fig 1 TIE ROD N ASSY (D87N00-12310)



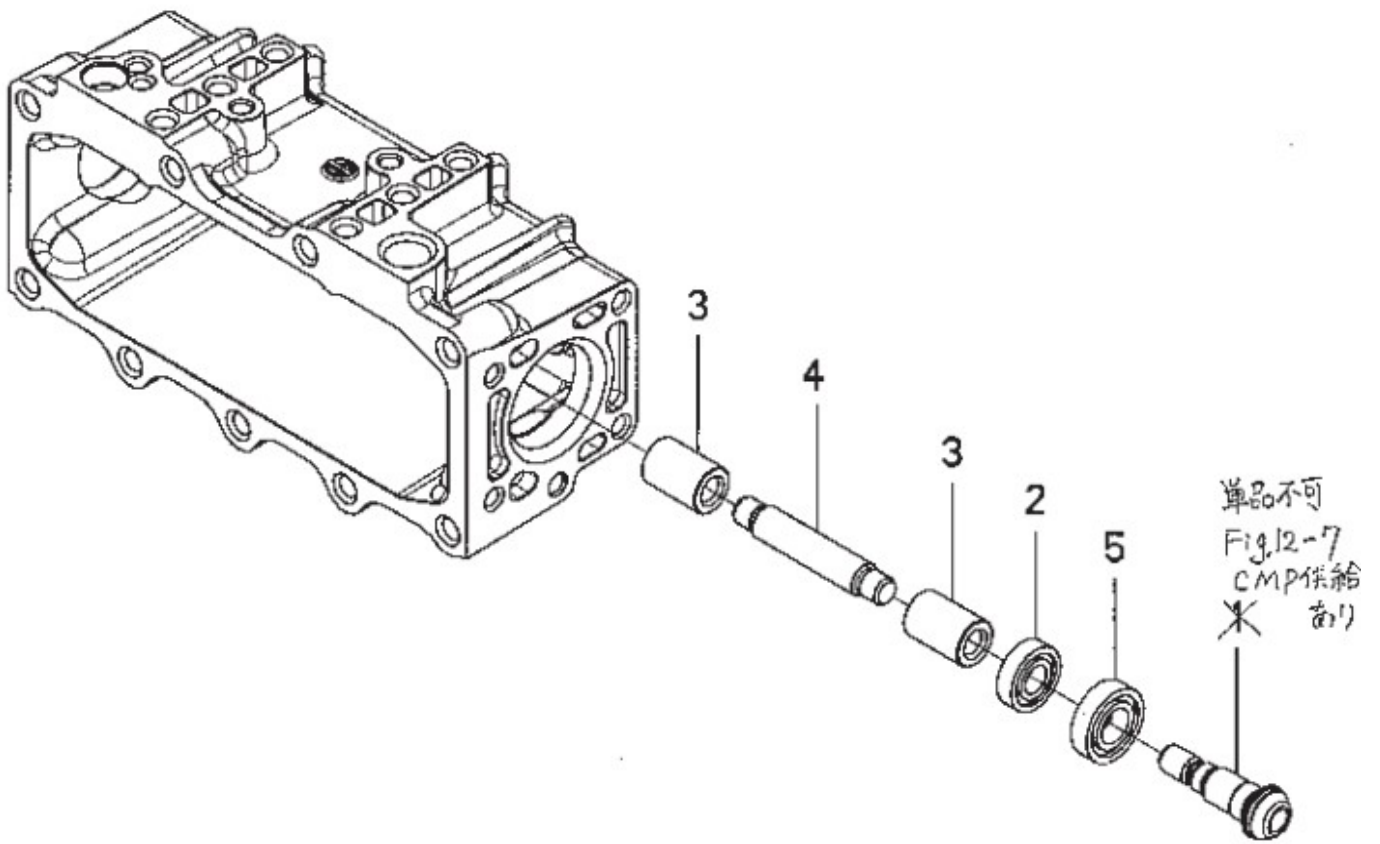
|     |                 |                   |          |        |         |
|-----|-----------------|-------------------|----------|--------|---------|
| 9   | 88-26716-100002 | Nut , 10          | 4        | 4      |         |
| 8   | 88-22117-100000 | Washer , 10       | 1        | 1      |         |
| 7   | 88-22417-200250 | Pin 2.0*25        | 1        | 1      |         |
| 3   | 88-187N00-12360 | Tie Rod CMP       | 1        | 1      |         |
| 2   | 88-187N00-12390 | Pin Tie Rod R     | 1        | 1      |         |
| 1   | 88-187N00-12380 | Pin Tie Rod L     | 1        | 1      |         |
| No. | Parts Code      | Name of the Parts | RM983F/X | RM982F | Remarks |
|     |                 |                   | Q'ty     |        |         |

Fig 2 MOTOR COVER ASSY (D87N00-13120)



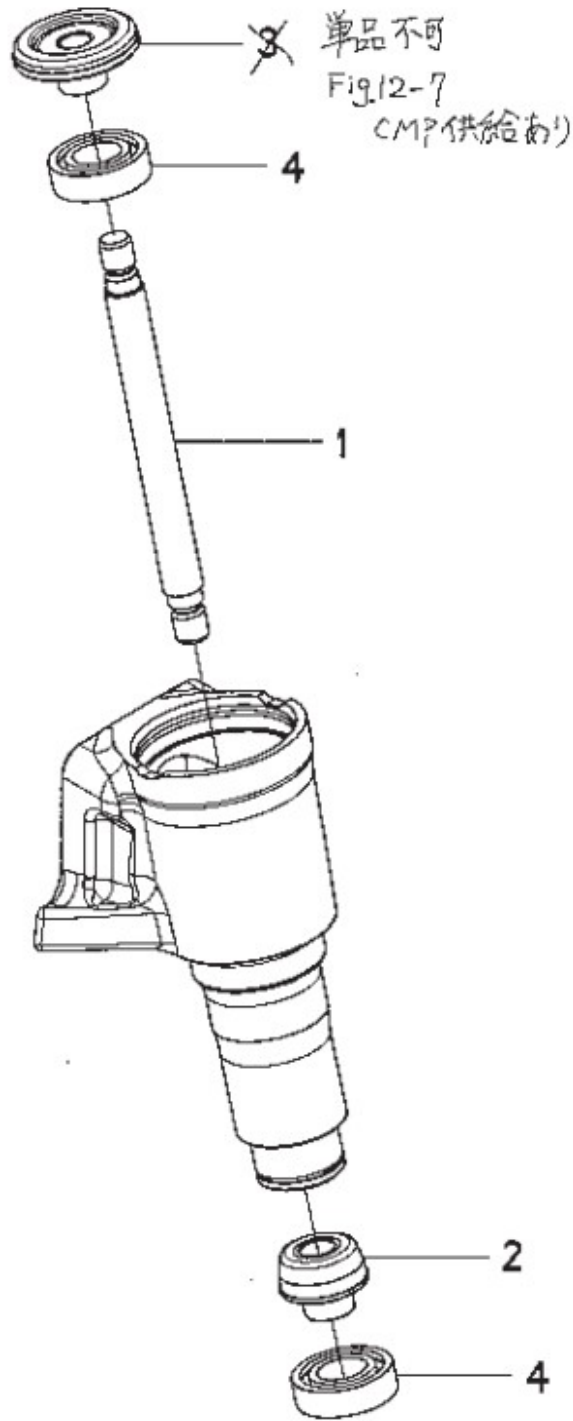
|     |                 |                   |          |        |         |
|-----|-----------------|-------------------|----------|--------|---------|
| 28  | 88-26776-120002 | NUT, 12           | 1        | 1      |         |
| 27  | 88-26716-080002 | NUT, 8            | 2        | 2      |         |
| 22  | 88-26106-080252 | BOLT, 8 * 25      | 2        | 2      |         |
| 21  | 88-24421-162607 | Oil Seal TC162607 | 2        | 2      |         |
| 18  | 88-22351-060032 | Pine. 6.0A*32     | 1        | 1      |         |
| 15  | 88-22137-120000 | Washer 12         | 1        | 1      |         |
| 14  | 88-22117-080000 | Washer 8          | 2        | 2      |         |
| 11  | 88-187N00-13270 | Control Lever     | 1        | 1      |         |
| 10  | 88-187N00-13240 | Cam Lever         | 1        | 1      |         |
| 6   | 88-187N00-13210 | Adjust Plate      | 1        | 1      |         |
| No. | Parts Code      | Name of the Parts | RM983F/X | RM982F | Remarks |
|     |                 |                   | Q'ty     |        |         |

Fig 3 FRONT SHAFT 1N ASSY (D87N00-13300)



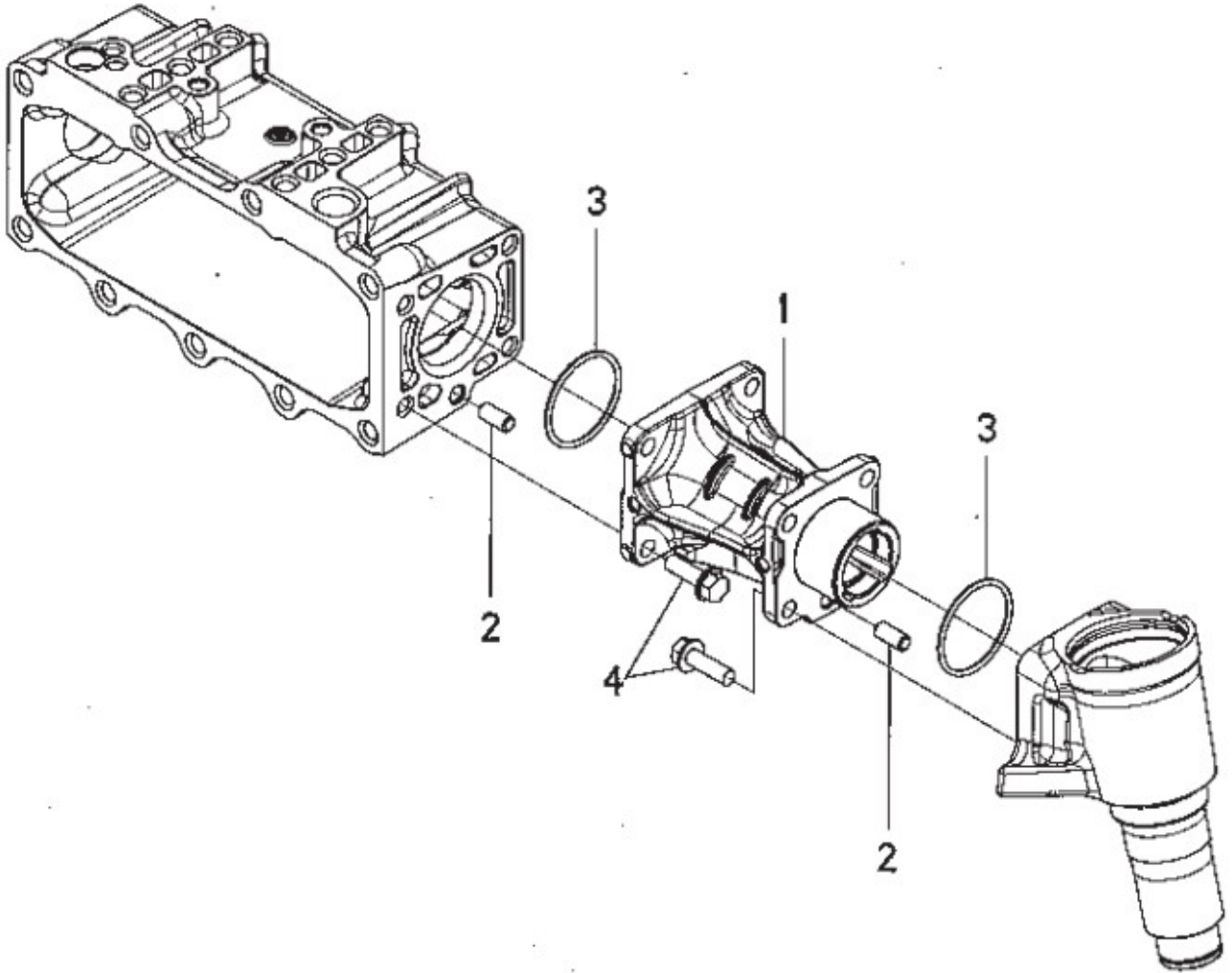
|     |                 |                   |          |        |         |
|-----|-----------------|-------------------|----------|--------|---------|
| 5   | 88-187N00-13380 | Bearing 6002C3    | 1        | 1      |         |
| 4   | 88-187N00-13370 | Joint Shaft       | 1        | 1      |         |
| 3   | 88-187N00-13350 | Spline Collar     | 2        | 2      |         |
| 2   | 88-187N00-13340 | Bearing 6001C3    | 1        | 1      |         |
| No. | Parts Code      | Name of the Parts | RM983F/X | RM982F | Remarks |
|     |                 |                   | Q'ty     |        |         |

Fig 4. FRONT SHAFT 2 ASSY (D87N00-13400)



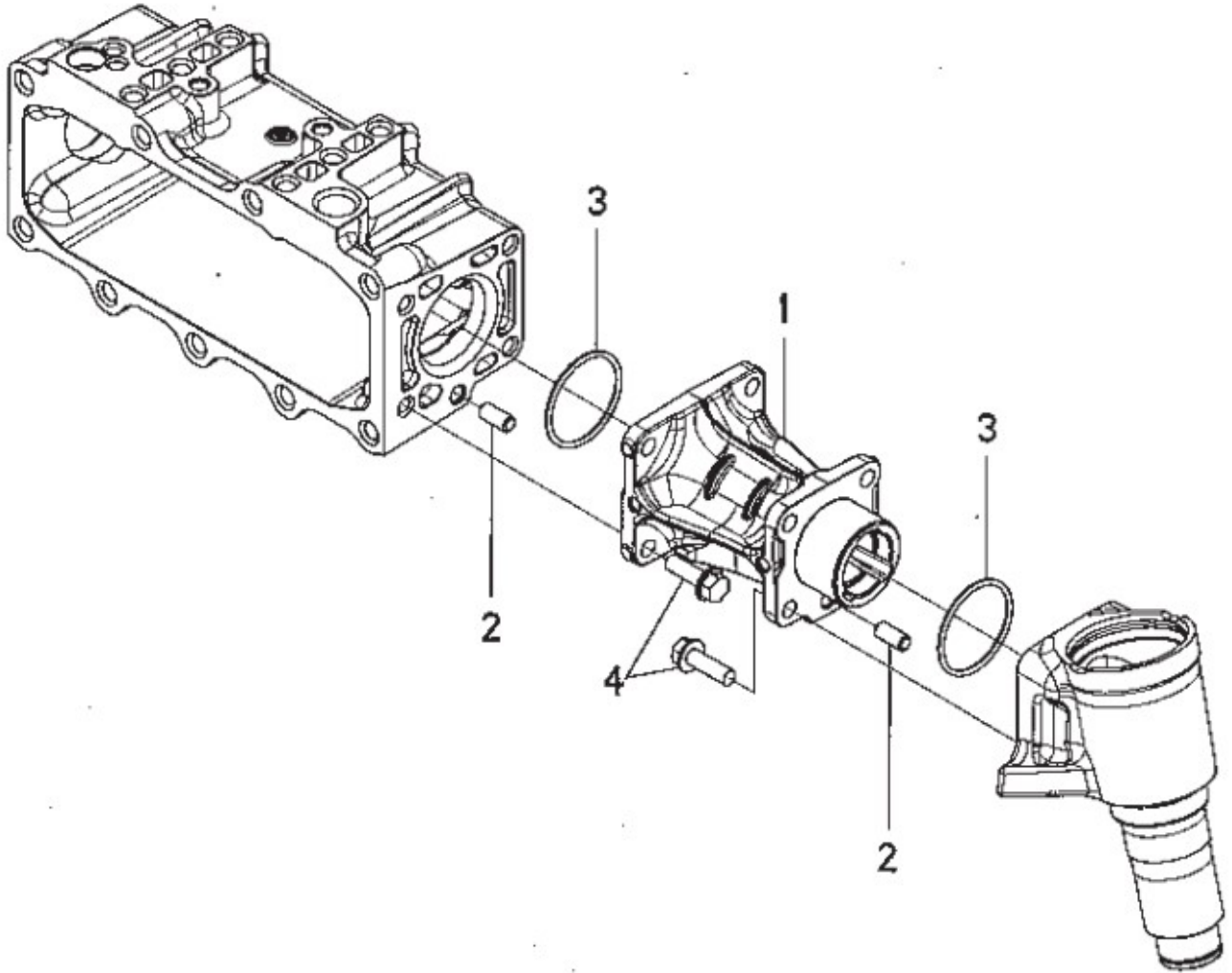
|     |                 |                       |          |        |         |
|-----|-----------------|-----------------------|----------|--------|---------|
| 4   | 88-187N00-13430 | Bearing 6003C3        | 2        |        |         |
| 2   | 88-187N00-13410 | Final Pinion Gear 14T | 1        |        |         |
| 1   | 88-187N00-13400 | Shaft Front 2ND       | 1        |        |         |
| No. | Parts Code      | Name of the Parts     | RM983F/X | RM982F | Remarks |
|     |                 |                       | Q'ty     |        |         |

**Fig 5. AXLE FLANGE N (D87N00-13500)**



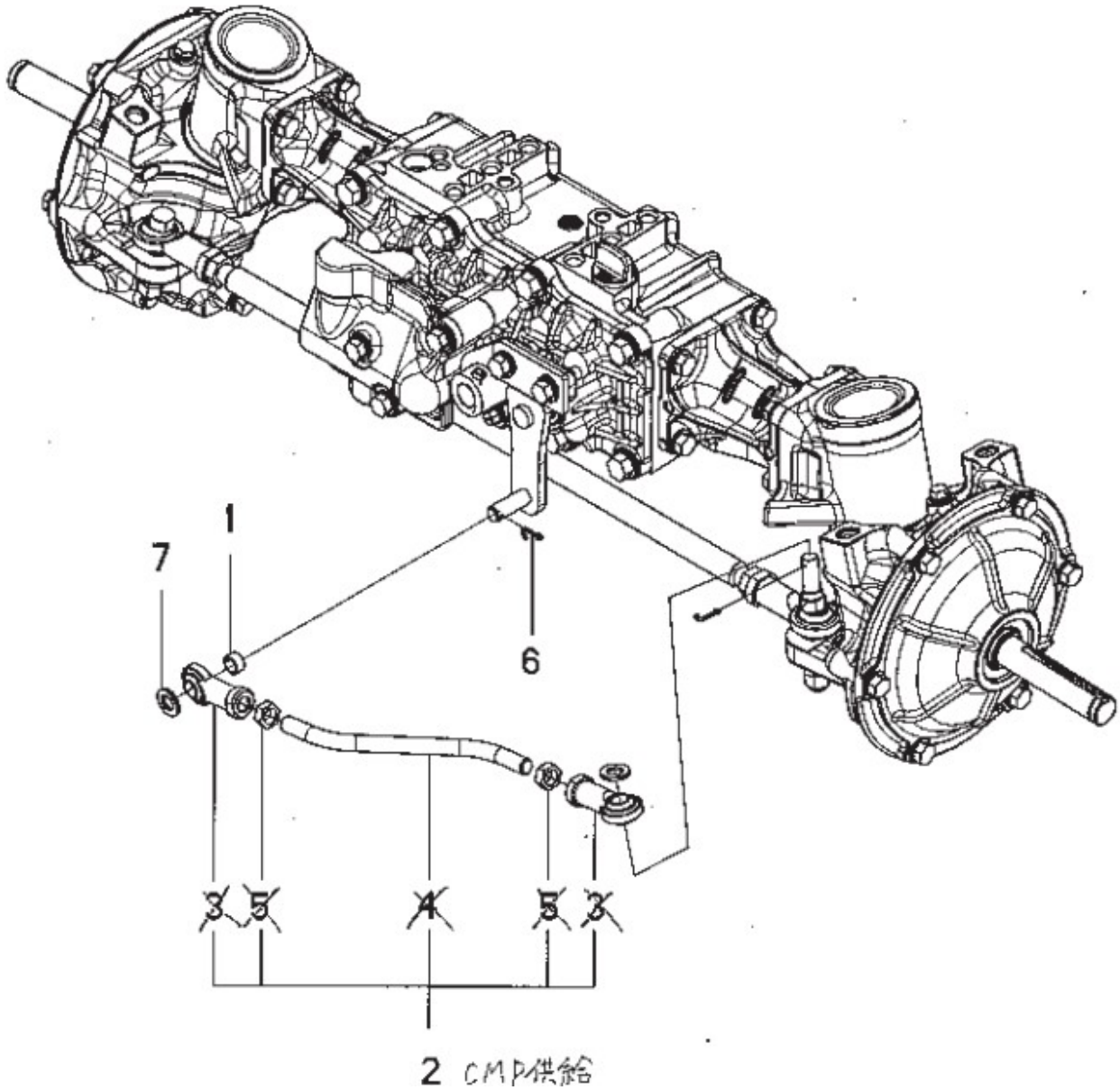
|     |                 |                   |          |        |         |
|-----|-----------------|-------------------|----------|--------|---------|
| 4   | 88-26106-080252 | BOLT, 8 * 25      | 2        | 2      |         |
| 3   | 88-24321-000450 | Packing , G45.0   | 2        | 2      |         |
| 2   | 88-22312-080160 | Pin 8*16          | 2        | 2      |         |
| 1   | 88-187N00-13500 | Axel Flange       | 1        | 1      |         |
| No. | Parts Code      | Name of the Parts | RM983F/X | RM982F | Remarks |
|     |                 |                   | Q'ty     |        |         |

**Fig 5. AXLE FLANGE N (D87N00-13500)**



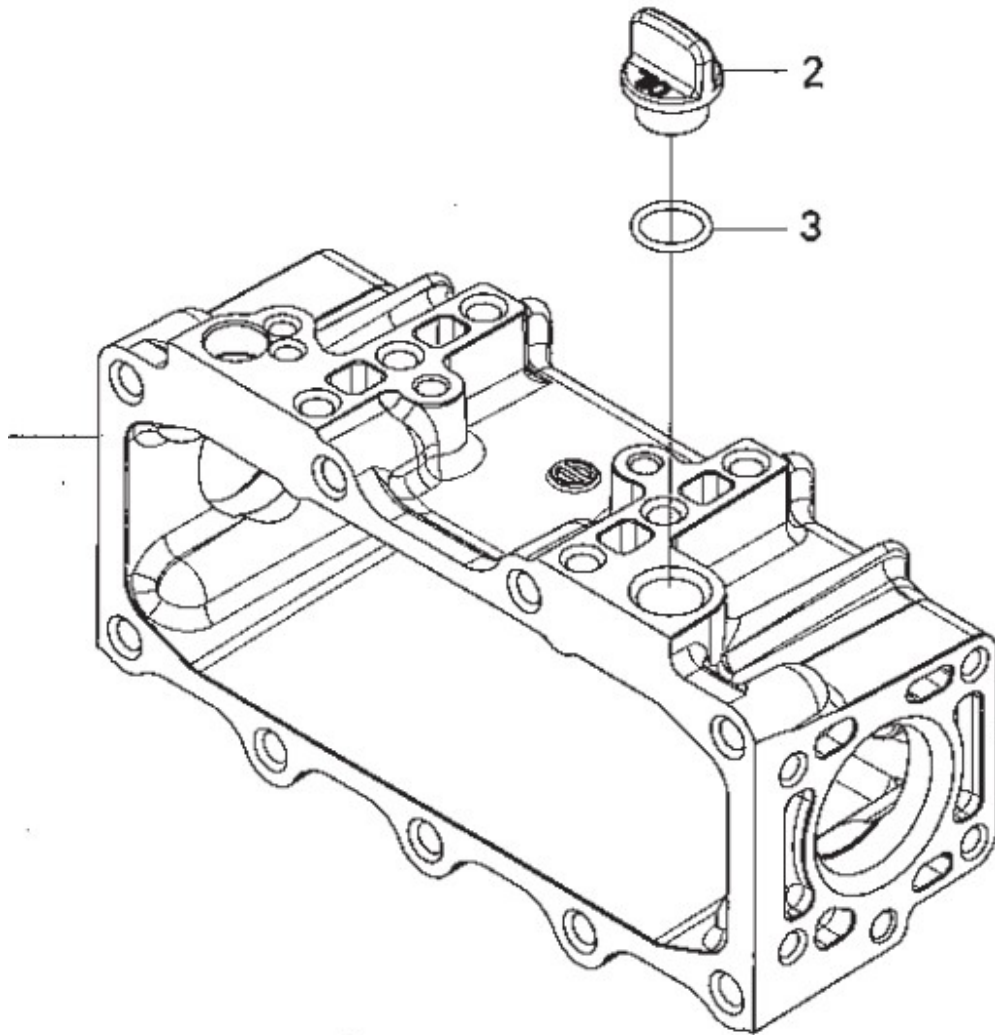
|     |                 |                   |          |        |         |
|-----|-----------------|-------------------|----------|--------|---------|
| 4   | 88-26106-080252 | BOLT, 8 * 25      | 2        | 2      |         |
| 3   | 88-24321-000450 | Packing , G45.0   | 2        | 2      |         |
| 2   | 88-22312-080160 | Pin 8*16          | 2        | 2      |         |
| 1   | 88-187N00-13500 | Axel Flange       | 1        | 1      |         |
| No. | Parts Code      | Name of the Parts | RM983F/X | RM982F | Remarks |
|     |                 |                   | Q'ty     |        |         |

Fig 6. STR ROD N (D87N00-13610)



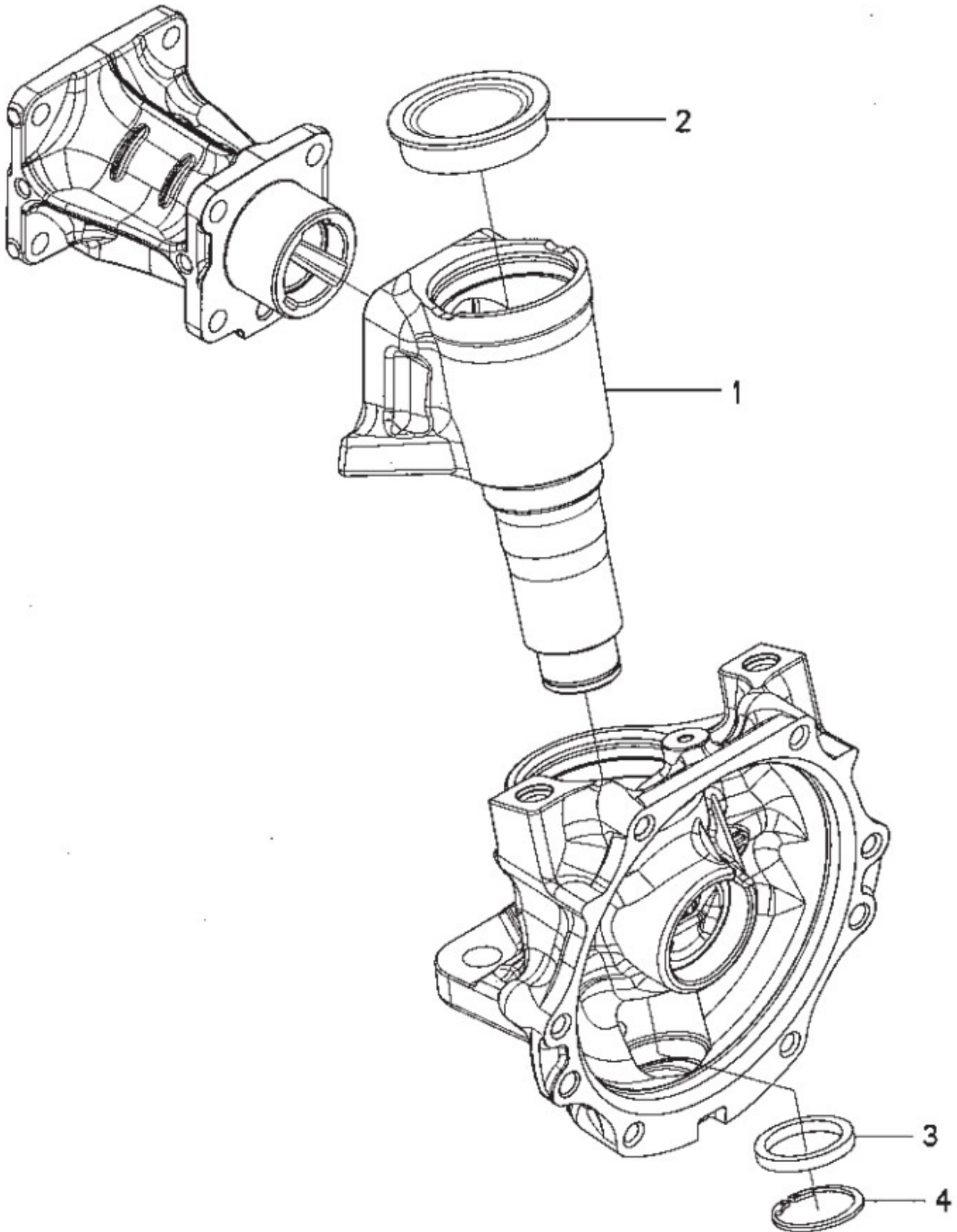
| 7   | 88-22117-100000 | Washer , 10       | 1        | 1      |         |
|-----|-----------------|-------------------|----------|--------|---------|
| 6   | 88-22417-200250 | Pin 2.0*25        | 1        | 1      |         |
| 2   | 88-187N00-13650 | Steeling Load CMP | 1        | 1      |         |
| 1   | 88-187N00-13630 | Bush 10           | 1        | 1      |         |
| No. | Parts Code      | Name of the Parts | RM983F/X | RM982F | Remarks |
|     |                 |                   | Q'ty     |        |         |

Fig 7. FRONT AXLE CASE ASSY (D87N00-13710)



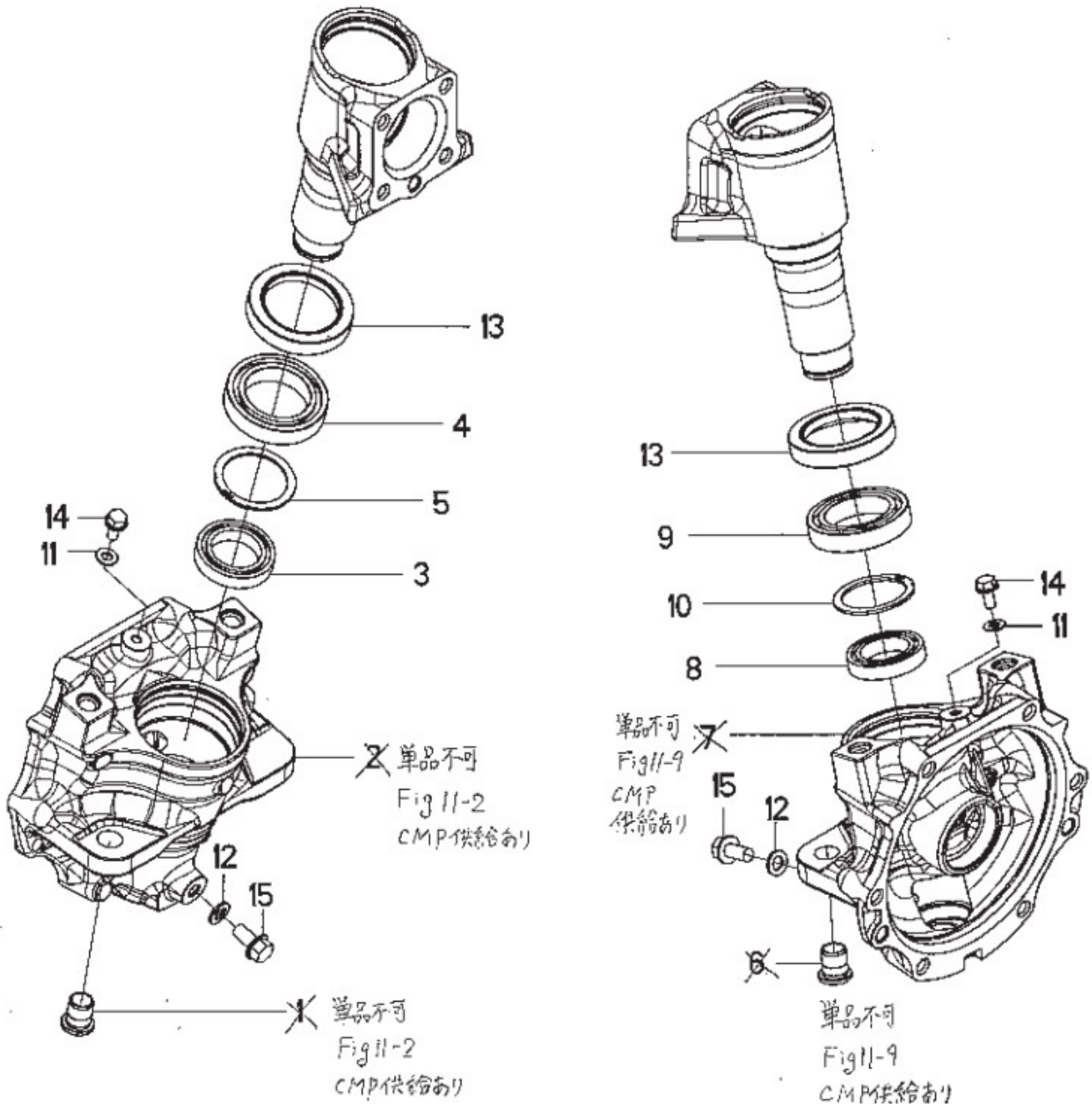
| No. | Parts Code      | Name of the Parts | RM983F/X | RM982F | Remarks |
|-----|-----------------|-------------------|----------|--------|---------|
| 3   | 88-24311-000180 | Packing P18.0     | 1        | 1      |         |
| 2   | 88-194855-24290 | CAP , OILM20      | 1        | 1      |         |
|     |                 |                   | Q'ty     |        |         |

Fig 8. FRONT GEAR CASE ASSY (D87N00-13800)



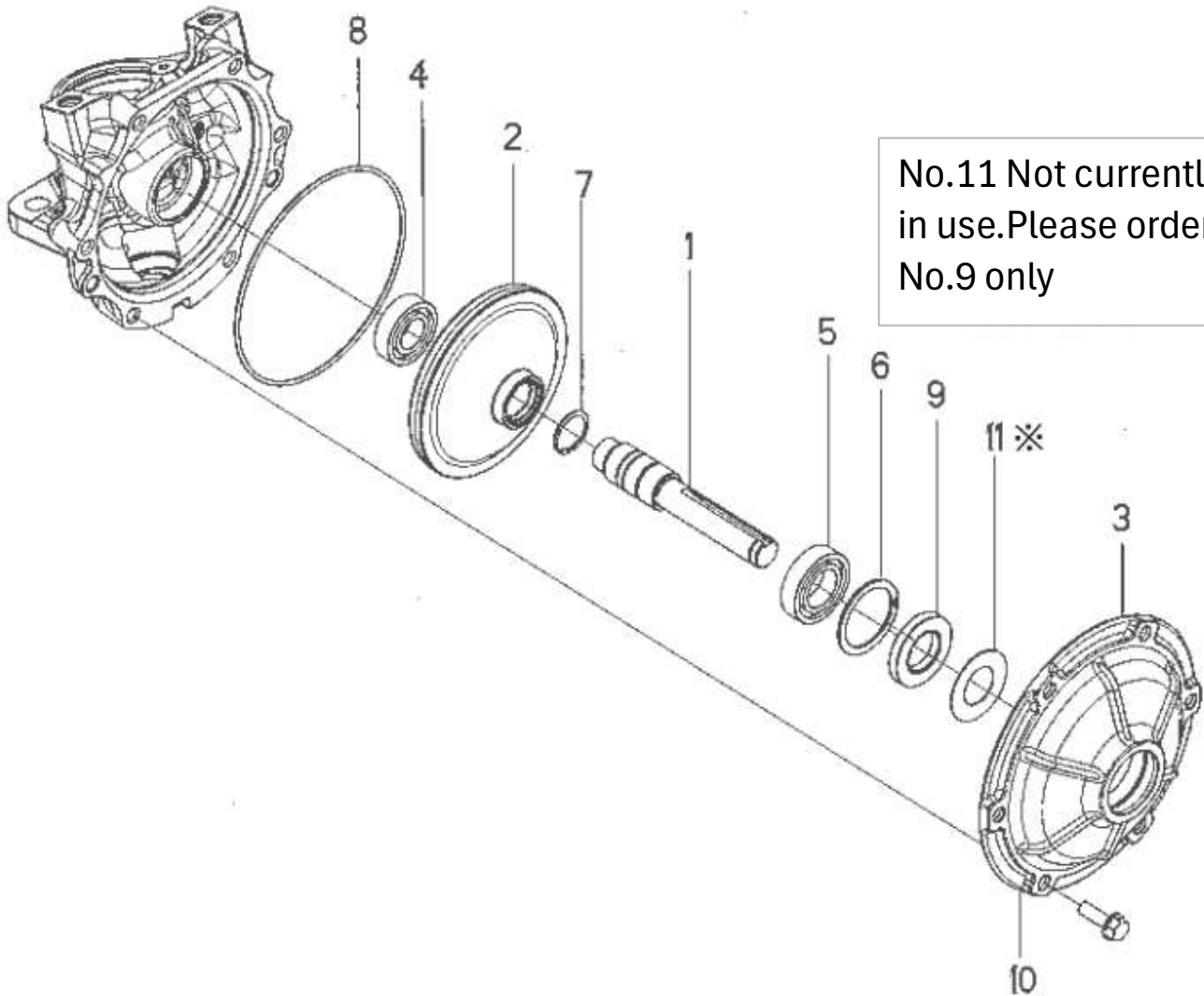
|     |                 |                   |          |        |         |
|-----|-----------------|-------------------|----------|--------|---------|
| 4   | 88-22292-000300 | Ring 30           | 1        | 1      |         |
| 3   | 88-198165-25840 | Collar 30*38*4.5  | 1        | 1      |         |
| 2   | 88-187N0013810  | Seal Cap 56       | 1        | 1      |         |
| 1   | 88-187N0013800  | Front Gear Case   | 1        | 1      |         |
| No. | Parts Code      | Name of the Parts | RM983F/X | RM982F | Remarks |
|     |                 |                   | Q'ty     |        |         |

Fig 9. FRONT GEAR BOX ASSY (D87N00-13900)



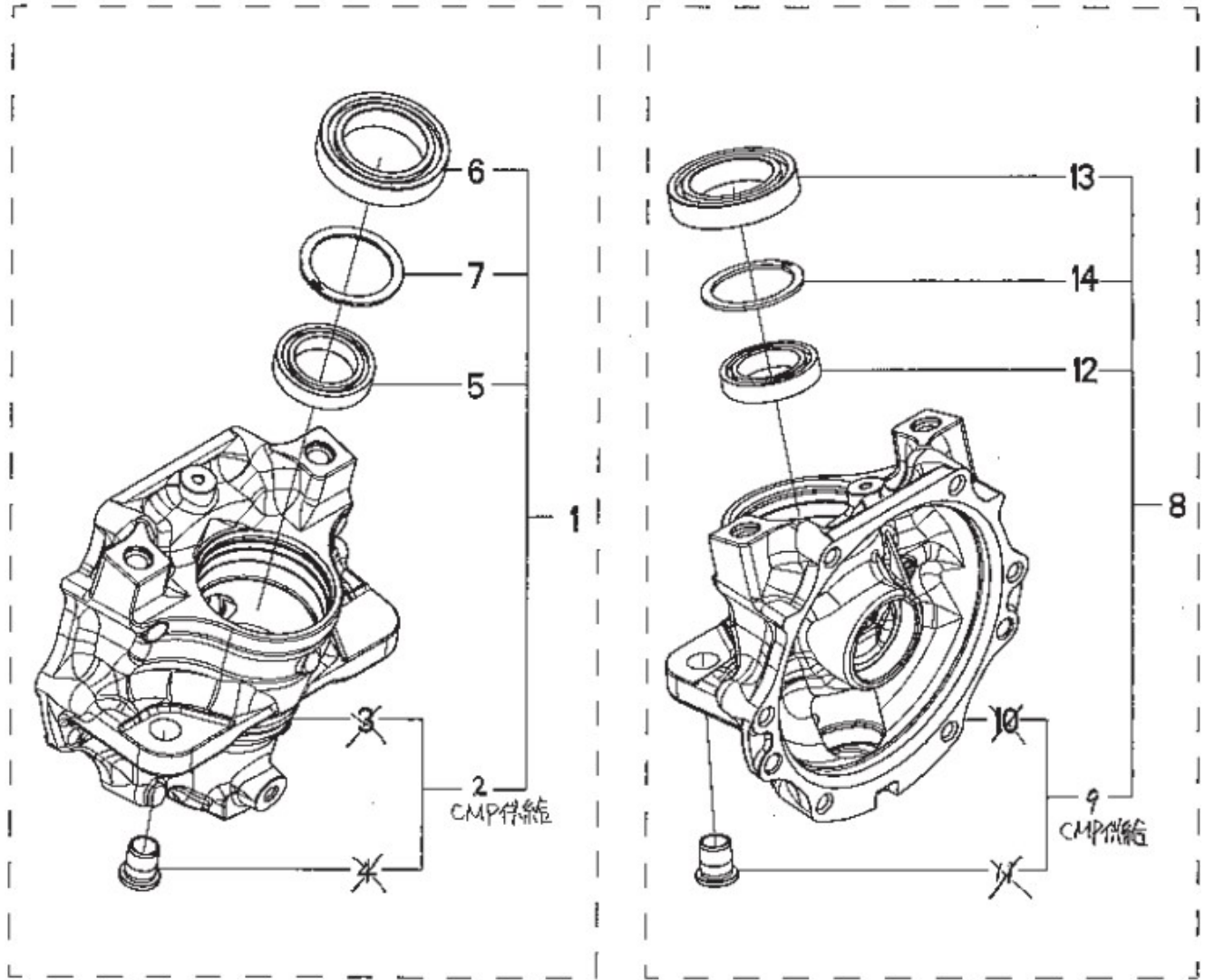
|     |                 |                   |          |        |         |
|-----|-----------------|-------------------|----------|--------|---------|
| 15  | 88-26106-080162 | Bolt 8*16         | 2        | 2      |         |
| 14  | 88-26106-060122 | Bolt 6*12         | 2        | 2      |         |
| 13  | 88-24421-466411 | Seal TC466411     | 2        | 2      |         |
| 12  | 88-22190-080000 | Washer Seal 8     | 2        | 2      |         |
| 11  | 88-22190-060000 | Washer Seal 6     | 2        | 2      |         |
| 5   | 88-22262-000470 | Ring 47           | 1        | 1      |         |
| 9   | 88-187N00-13950 | Bearing 6908C3    | 1        | 1      |         |
| 8   | 88-187N00-13930 | Bearing 6906C3    | 1        | 1      |         |
| 5   | 88-22262-000470 | Ring 47           | 1        | 1      |         |
| 4   | 88-187N00-13950 | Bearing 6908C3    | 1        | 1      |         |
| 3   | 88-187N00-13930 | Bearing 6906C3    | 1        | 1      |         |
| No. | Parts Code      | Name of the Parts | RM983F/X | RM982F | Remarks |
|     |                 |                   | Q'ty     |        |         |

Fig 10. SPINDLE ASSY (D87N00-14100)



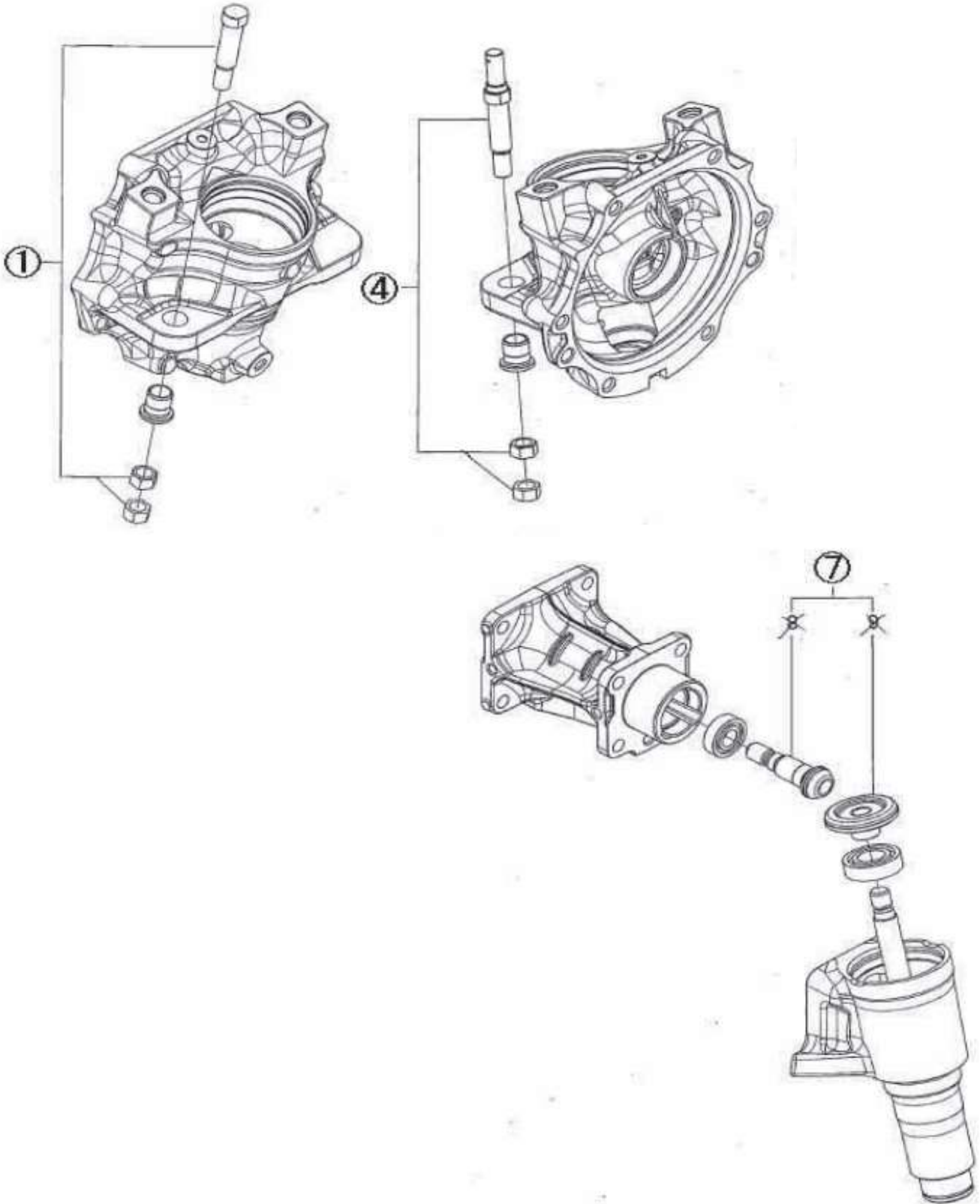
|     |                 |                     |          |        |                 |
|-----|-----------------|---------------------|----------|--------|-----------------|
| 11  | 88-187N00-14170 | Washer 254701       | 1        |        | This one is not |
| 10  | 88-26106-080252 | BOLT. 8 * 25        | 6        |        |                 |
| 9   | 88-187N00-14230 | Reinforced Oil Seal | 1        |        |                 |
| 8   | 88-24321-001400 | Packing G14.0       | 1        |        |                 |
| 7   | 88-22292-000240 | Ring 24             | 1        |        |                 |
| 6   | 88-22262-000470 | Ring 47             | 1        |        |                 |
| 5   | 88-187N00-14140 | Bearina 6005C3      | 1        |        |                 |
| 4   | 88-187N00-14130 | Bearina 6004C3      | 1        |        |                 |
| 3   | 88-187N00-14120 | Front Bearina Cover | 1        |        |                 |
| 2   | 88-187N00-14110 | Final Gear 51T      | 1        |        |                 |
| 1   | 88-187N00-14100 | Front Axle shaft    | 1        |        |                 |
| No. | Parts Code      | Name of the Parts   | RM983F/X | RM982F | Remarks         |
|     |                 |                     | Q'ty     |        |                 |

**Fig 11. SERVIC PARTS ASSY (D87N00-99250)**



| 9   | 88-187N00-99830 | Front Gear Box R CMP  | 1        | 1      |         |
|-----|-----------------|-----------------------|----------|--------|---------|
| 8   | 88-187N00-99810 | Front Gear Box R Assy | 1        | 1      |         |
| 2   | 88-187N00-99820 | Front Gear Box L CMP  | 1        | 1      |         |
| 1   | 88-187N00-99800 | Front Gear Box L Assy | 1        | 1      |         |
| No. | Parts Code      | Name of the Parts     | RM983F/X | RM982F | Remarks |
|     |                 |                       | Q'ty     |        |         |

**Fig 12. SERVIC PARTS ASSY (D87N00-99210)**



|     |                 |                     |          |        |         |
|-----|-----------------|---------------------|----------|--------|---------|
| 7   | 88-187N00-99240 | Bevel Gear Kit      | 1        |        |         |
| 4   | 88-187N00-99230 | Pin (Tie Rod R CMP) | 1        |        |         |
| 1   | 88-187N00-99220 | Pin (Tie Rod L CMP) | 1        |        |         |
| No. | Parts Code      | Name of the Parts   | RM983F/X | RM982F | Remarks |
|     |                 |                     | Q'ty     |        |         |



0347-84310 Front Label

0342-70700 Label, Side Cover Set

0347-84100 Label, Model (RM983F)



0329-76200 Label, Caution



0352-76600 Steering Mark



0343-70410 Fuel tank cover Top mark



0342-70500 Step Logo Mark



0337-73300 ORECLogo B08

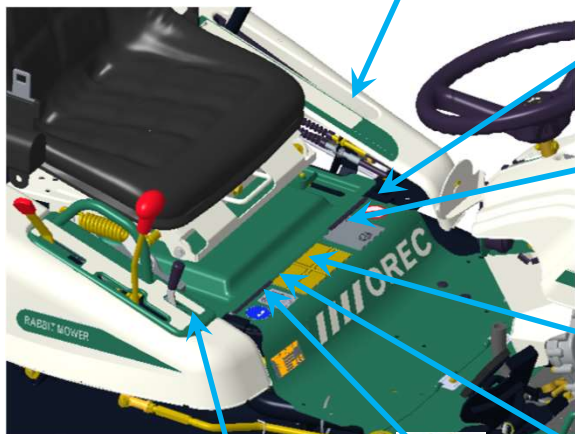
0347-83200 RM983F Cutting Height Label(ASIA)



0347-92100 Slope caution label 20°



0322-77900 reflective label



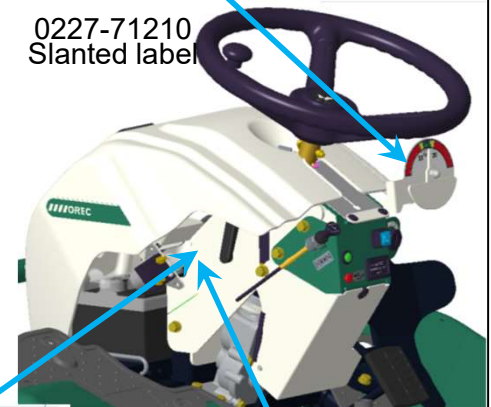
0-1488-9210-00 Pedal stopper(13113)



0227-71210 Slanted label



0223-76100 Caution label (L)Z26-5



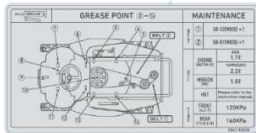
0347-85200 control label(Export)



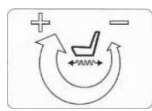
0215-83200 Protective Equipment



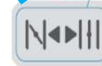
0310-71300 Noise label (102dB)



0347-83300 Maintenance label (RM983F(ASIA))



0312-86100 Seat spring adjustment (export)



0329-77510 Choke Mark



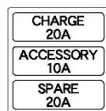
0259-80600 Oil mark(13258)



0215-80410 Drive clutch



0-1488-9280-10 Involvement Caution



0322-78300 3-point fuse box label (輸出)



0-1488-9120-00 key switch label



0217-70810 Gear oil label 1.0L

