

# Parts Catalogue

## Rabbit Mower

RMK 1 5 1 X

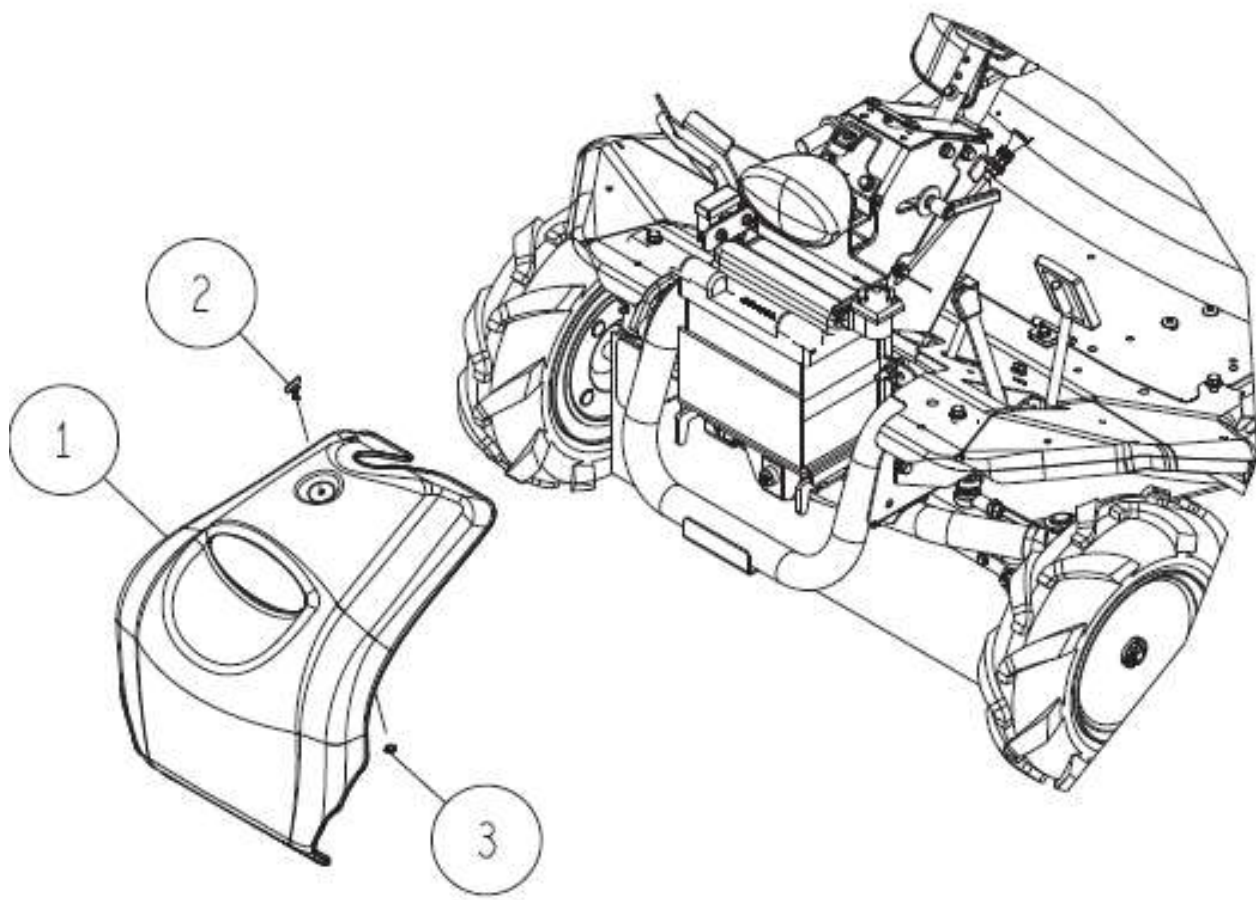
RMK 1 5 1

RMK 1 5 0 A

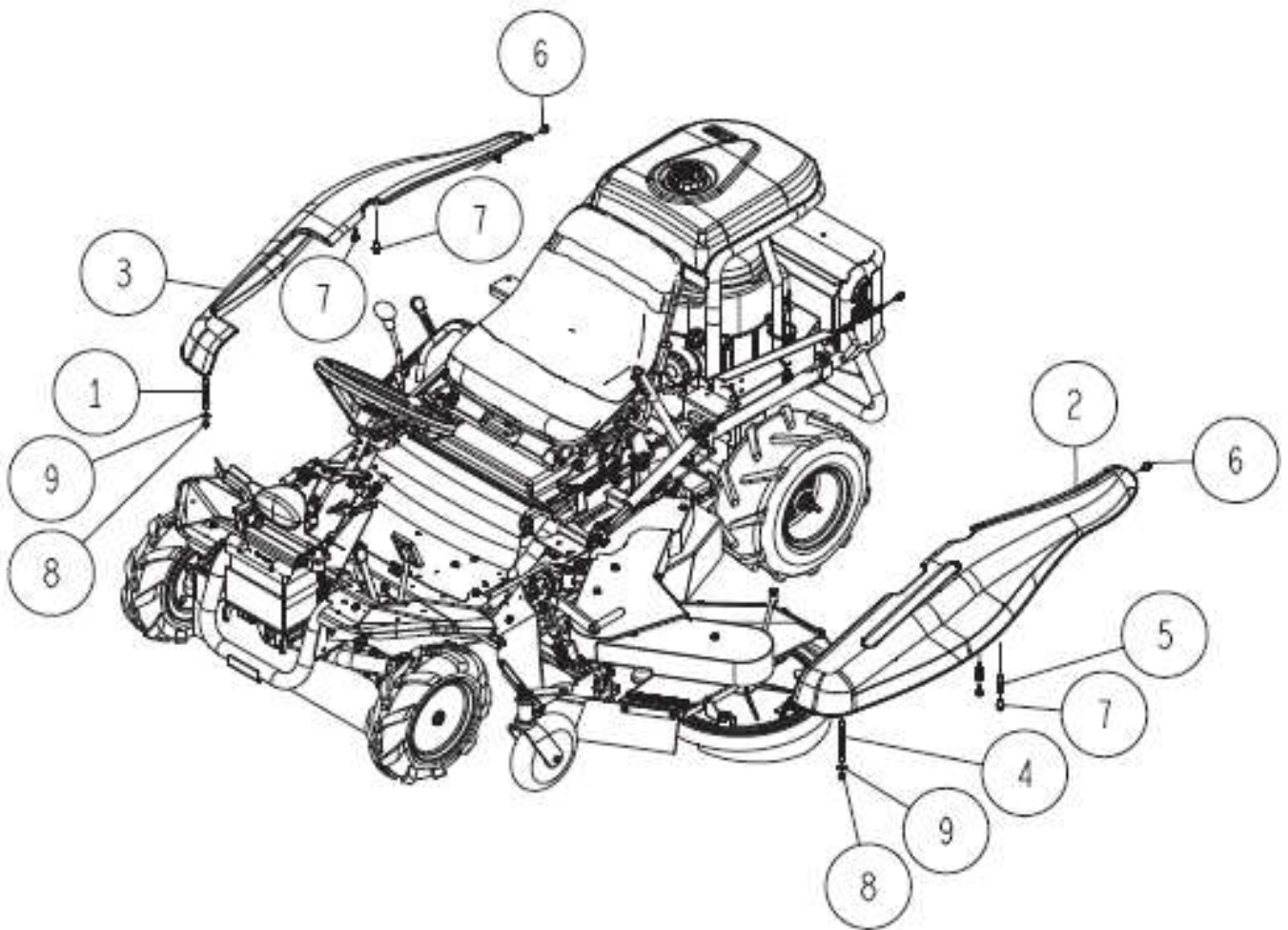


### 《Index》

Frame Part .....	1
Mission HST Part .....	1 5
Handle Part .....	2 4
Front Part.....	2 8
Tire Part .....	3 2
Control Part .....	3 3
Cutting Part.....	3 6
Offset Part .....	4 4
Seat Part .....	5 3
Engine Part .....	5 7
Label Part.....	6 1

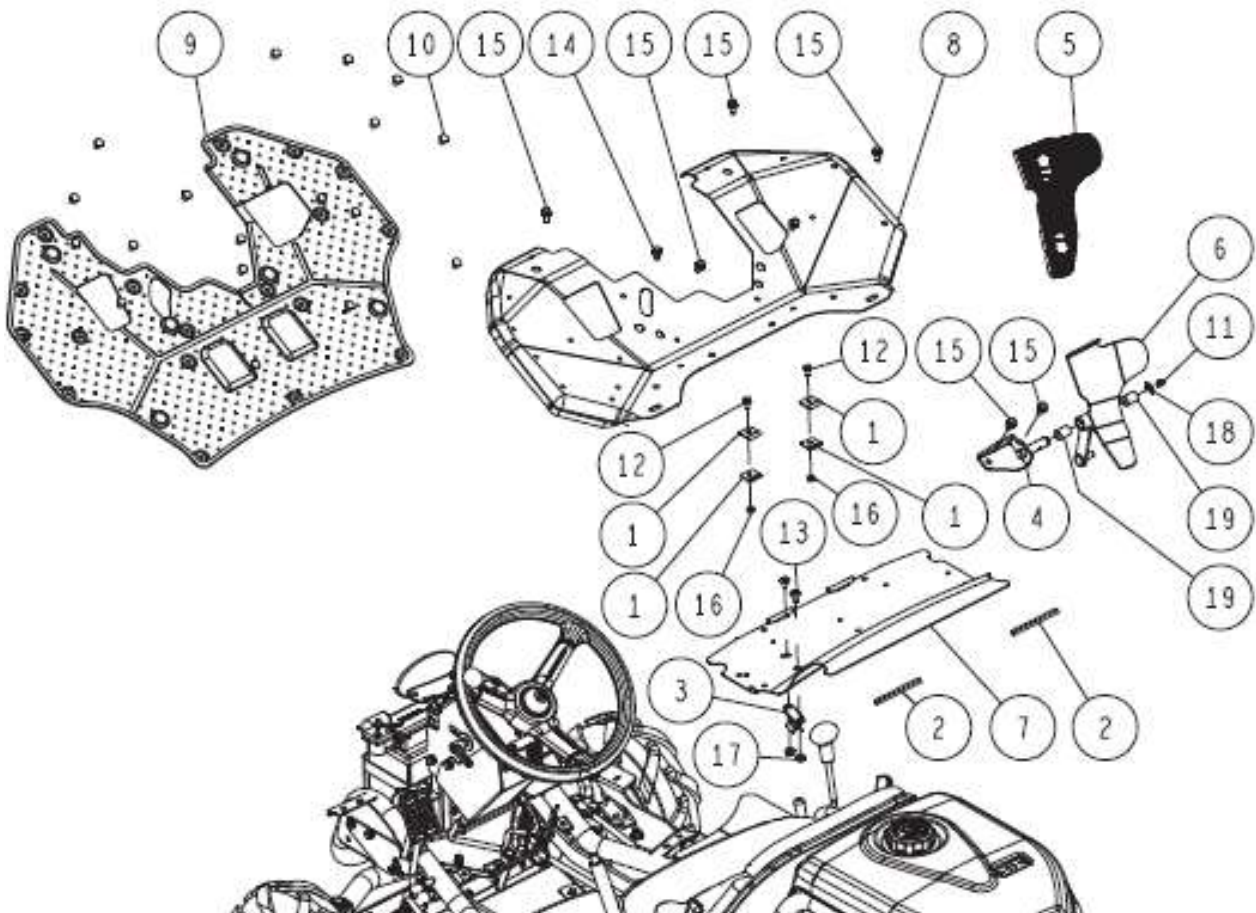


1	0341-71300	Front Cover Blue (IA)	1		IA
	0322-70900	Front Cover	1(OR)	1	IA·OR
2	0322-71200	Wing Stud $\phi$ 6*14	1	1	
3	0322-71700	Retainer	1	1	
No.	Parts Number	Parts Name	RMK151/X	RMK150A	Remarks
			Q'ty		

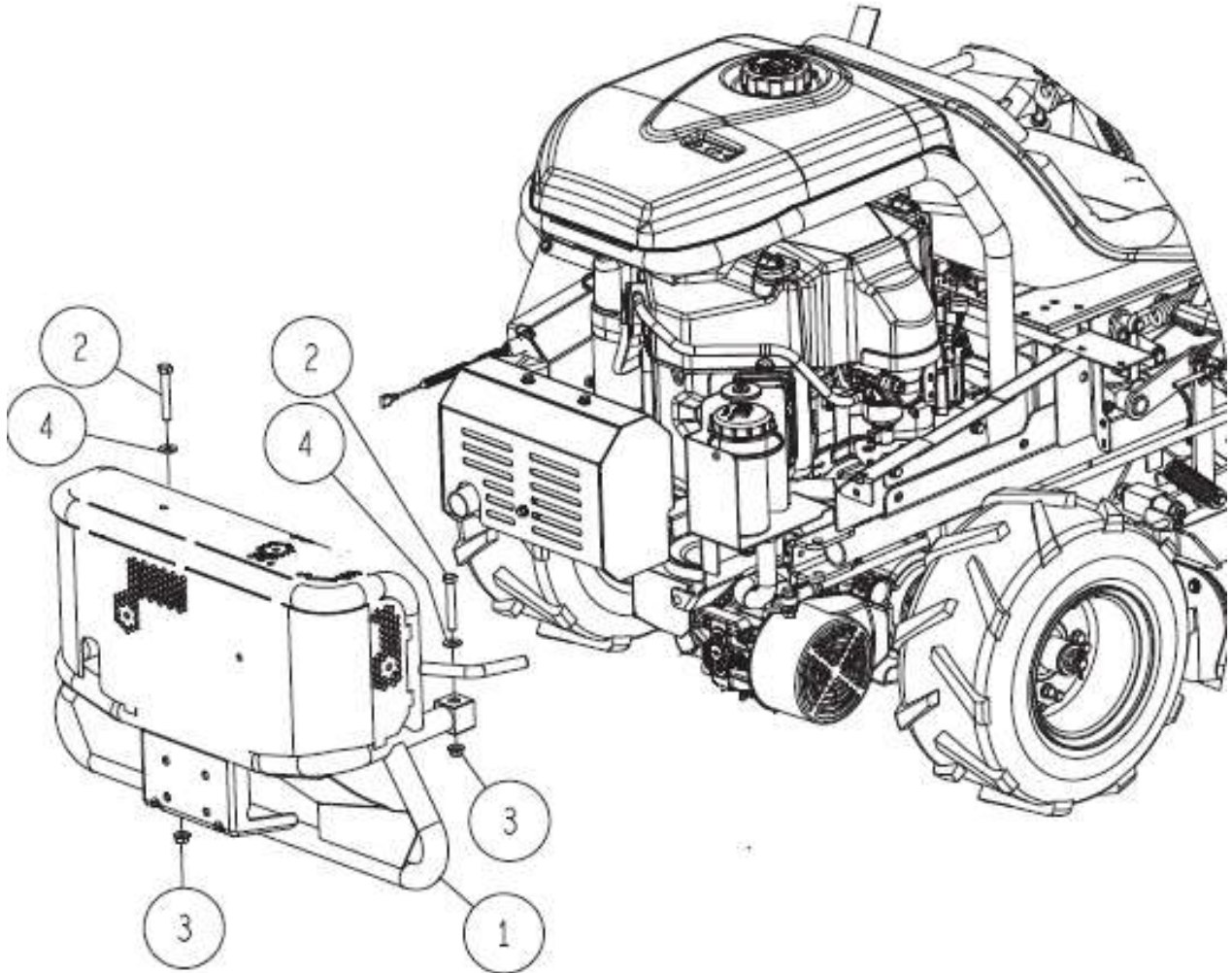


1	0267-40900	Double Spring Bolt M	1	1	
2	0342-73600	Side Cover (L) (White)	1		OR
	0342-73800	Side Cover (L) (Blue) IA	1		IA
	0312-77800	Side Cover (L) (Blue)		1	IA
	0312-73200	Side Cover (L) Green		1	OR
3	0342-73500	Side Cover (R) (White)	1		OR
	0342-73700	Side Cover (R) (Blue) IA	1		IA
	0312-77700	Side Cover (R) (Blue)		1	IA
	0312-73300	Side Cover (R) Green		1	OR
4	0329-71100	Double Spring Bolt 85L	1	1	
5	0919-01200	Belt Cover Setting Bolt A	2	2	
6	89-1233-080162	Mini Hexagonal Bolt (PWSW) M8*16	2	2	
7	89-1233-080202	Mini Hexagonal Bolt (PWSW) M8*20	4	4	
8	89-1543-080002	Mini Hexagonal Nut (SW) M8	2	2	
9	89-1714-080002	Flat Washer 8	2	2	
No.	Parts Number	Parts Name	RMK151/X	RMK150A	Remarks
			Q'ty		

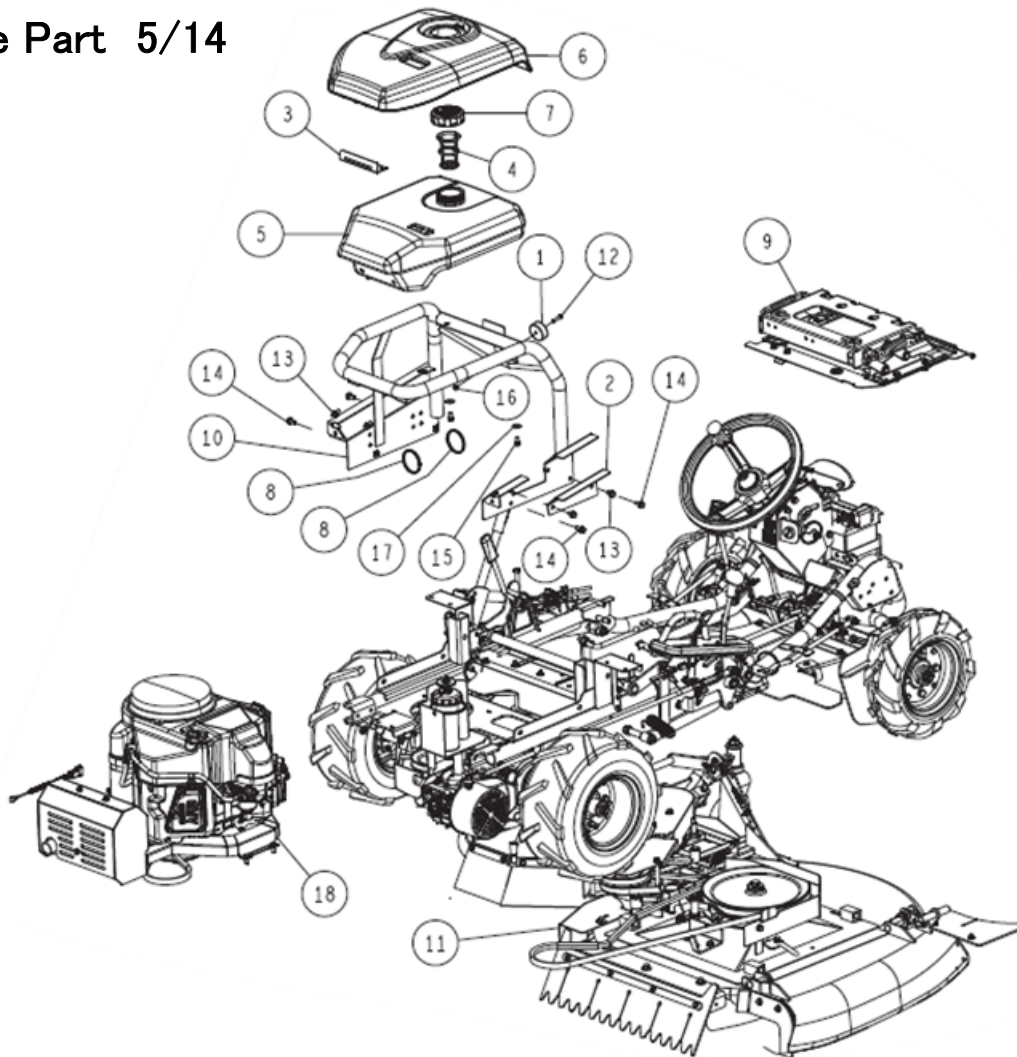
3/63 Frame Part 3/14



1	0028-70500	Center Step Hinge	4	4	
2	0301-60400	Rubber 110L	2	2	
3	0312-70700	Bonnet Clip	1	1	
4	0341-10403	Pedal Stay CMP (Grey)	1	1	
5	0341-70200	Change Pedal Rubber	1	1	
6	0342-1020H	Change Pedal CMP (Metallic Grey)	1		
	0342-1020H	Change Pedal CMP (Metallic Grey)		1	BWAGL00109~
	0341-1030H	Change Pedal CMP (Metallic Grey)		1	~BWAGL00108
7	0348-2520G	Center Step CMP (Green)	1		OR
	0348-25201	Center Step CMP (White)	1(IA)	1	IA・OR
8	0349-2510G	Step CMP (Green)	1		OR
	0349-2510H	Step CMP (Metallic Grey)	1		IA
	0349-25101	Step CMP (White)		1	
9	0349-70100	Step Rubber	1	1	
10	83-1484-369-00	Clip (5347)	18	18	
11	83-1515-975-00	Grease Nipple C-Type M6	1	1	
12	89-1137-060172	Hexagonal Bolt (PW) M6*17	2	2	
13	89-1159-080168	Truss Mini Screw M8*16	2	2	
14	89-1233-080162	Mini Hexagonal Bolt (PWSW) M8*16	1	1	
15	89-1233-080202	Mini Hexagonal Bolt (PWSW) M8*20	7	7	
16	89-1531-060042	Flange Nut M6	2	2	
17	89-1631-080042	Flange Mini Hexagonal Nut M8	2	2	
18	89-2521-000120	E Type Ring 12	1	1	
19	89-3510-016250	DU Bush 16.25	2	2	
No.	Parts Number	Parts Name	RMK151/X	RMK150A	Remarks
			Q'ty		

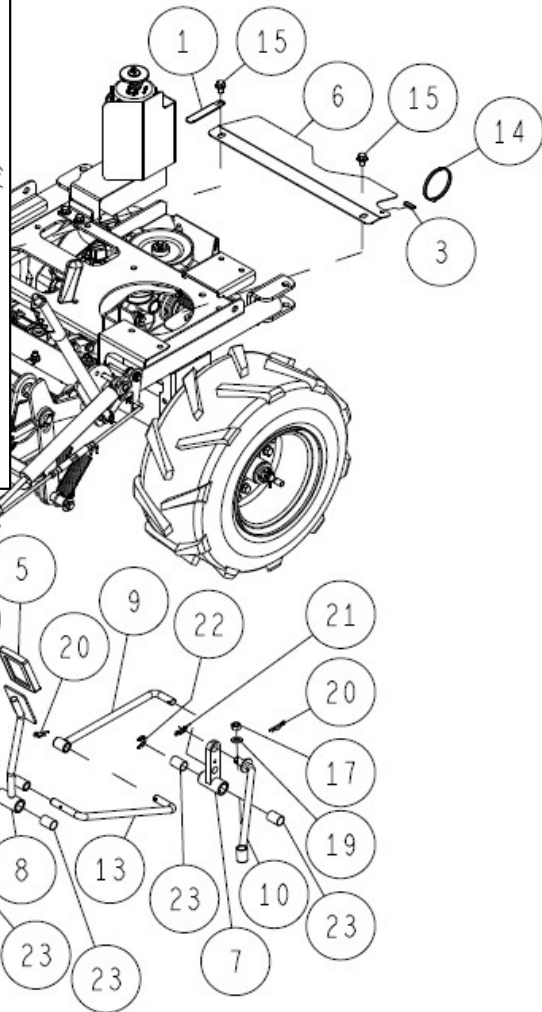
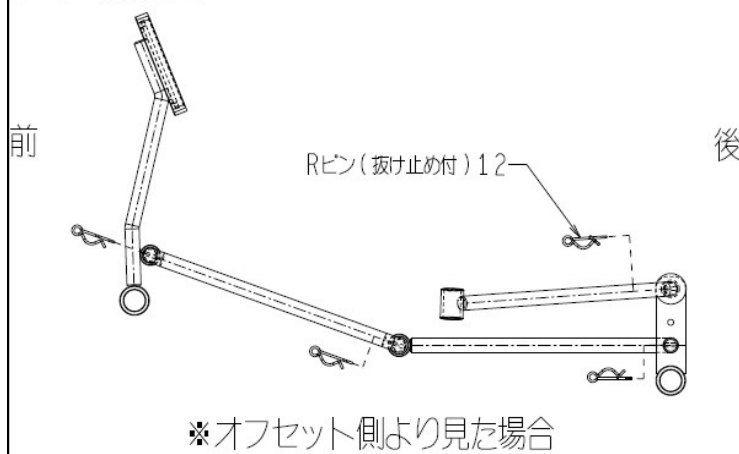


1	0348-2020G	Sub Frame CMP (Green)	1		OR
	0348-2020H	Sub Frame CMP (Metallic Grey)	1		IA
	0348-20203	Sub Frame CMP (Grey)		1	
2	89-1213-100652	Mini Hexagonal Bolt (8T) M10*65	2	2	
3	89-1631-100042	Flange Mini Hexagonal Nut M10	2	2	
4	89-1714-100002	Flat Washer 10	2	2	
No.	Parts Number	Parts Name	RMK151/X	RMK150A	Remarks
			Q'ty		

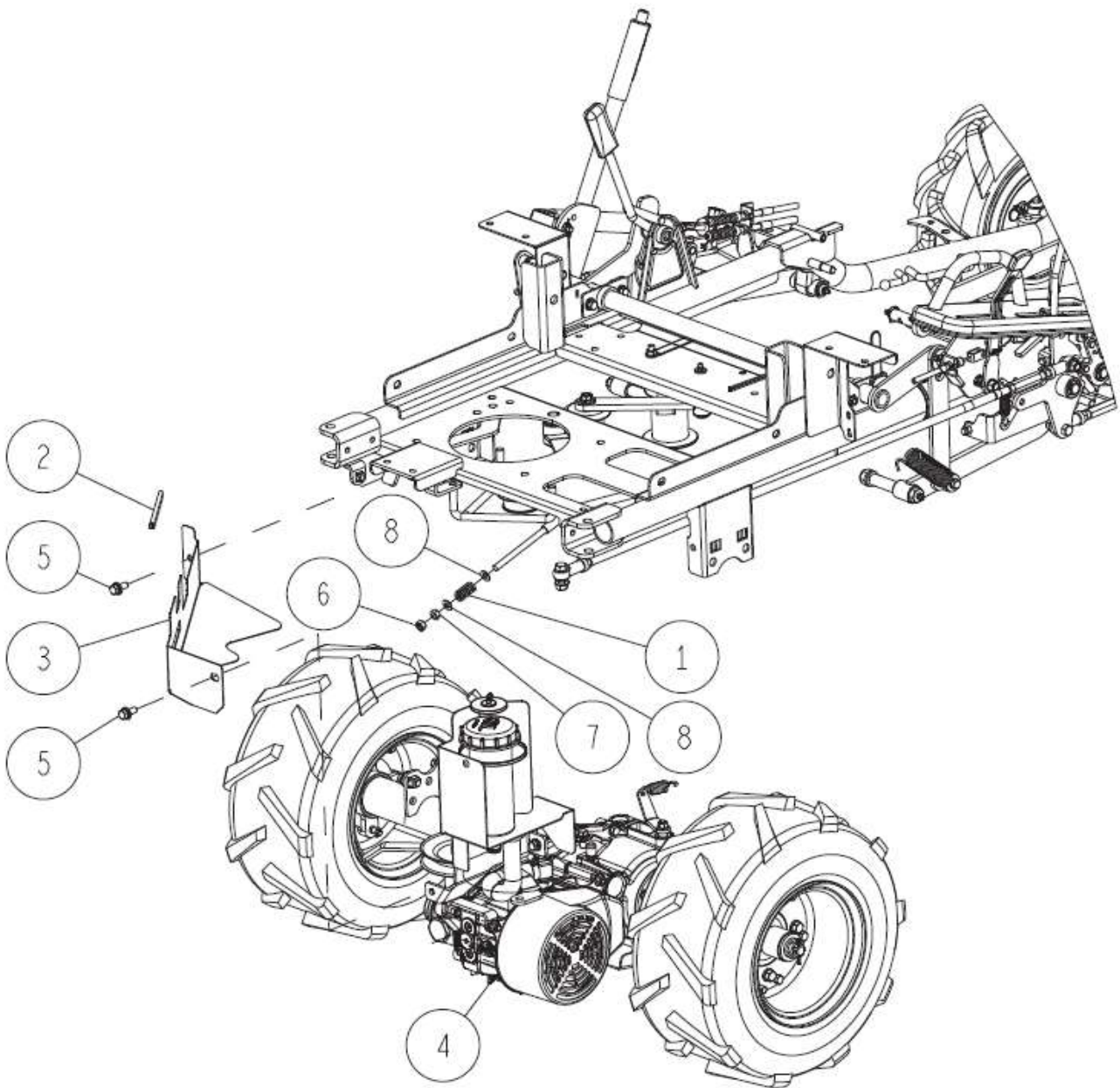


1	80-1920-306-00	Stopper Rubber B-4	1	1	
2	0322-6020G	Rear Fender Cover (R) (Green)	1		OR
	0322-6020H	Rear Fender Cover (R) (Metallic Grey)	1		IA
	0322-60206	Rear Fender Cover (R) (Blue)		1	IA
	0322-60205	Rear Fender Cover (R) (Yellow Green)		1	OR
3	0322-60401	Fuel Tank Cover Stay (White)	1	1	IA・OR
4	0322-70700	Fuel Filter	1	1	
5	0322-71800	Fuel Tank (with Fuel Gauge)	1	1	
6	0322-73200	Tank Cover White	1	1	IA・OR
7	0322-76000	Fuel Tank Cap Assy (with valve)	1	1	
8	0341-71200	Wire Band 200L (Black)	2	2	Black color
9	-	Seat Part	1	1	Details P53~
10	0349-6010G	Fuel Tank Holder CMP (Green)	1		OR
	0349-6010H	Fuel Tank Holder CMP (Metallic Grey)	1		IA
	0349-60106	Fuel Tank Holder CMP (Blue)		1	IA
	0349-60105	Fuel Tank Holder CMP (Yellow Green)		1	OR
11	-	Cutting Part	1	1	Details P36~
12	89-1111-060252	Hexagonal Bolt M6*25	1	1	
13	89-1233-080162	Mini Hexagonal Bolt (PWSW) M8*16	4	4	
14	89-1233-080202	Mini Hexagonal Bolt (PWSW) M8*20	4	4	
15	89-1232-080162	Mini Hexagonal Bolt (SW) M8*16	2	2	
16	89-1531-060042	Flange Nut M6	1	1	
17	89-1713-080002	Flat Washer 8 (large)	2	2	
18	-	Engine Part	1	1	Details P56~
-	0322-71000	Fuel Tank Assy	1	1	4、5、7
No.	Parts Number	Parts Name	RMK151/X	RMK150A	Remarks
			Q'ty		

## Rピン取付方向図

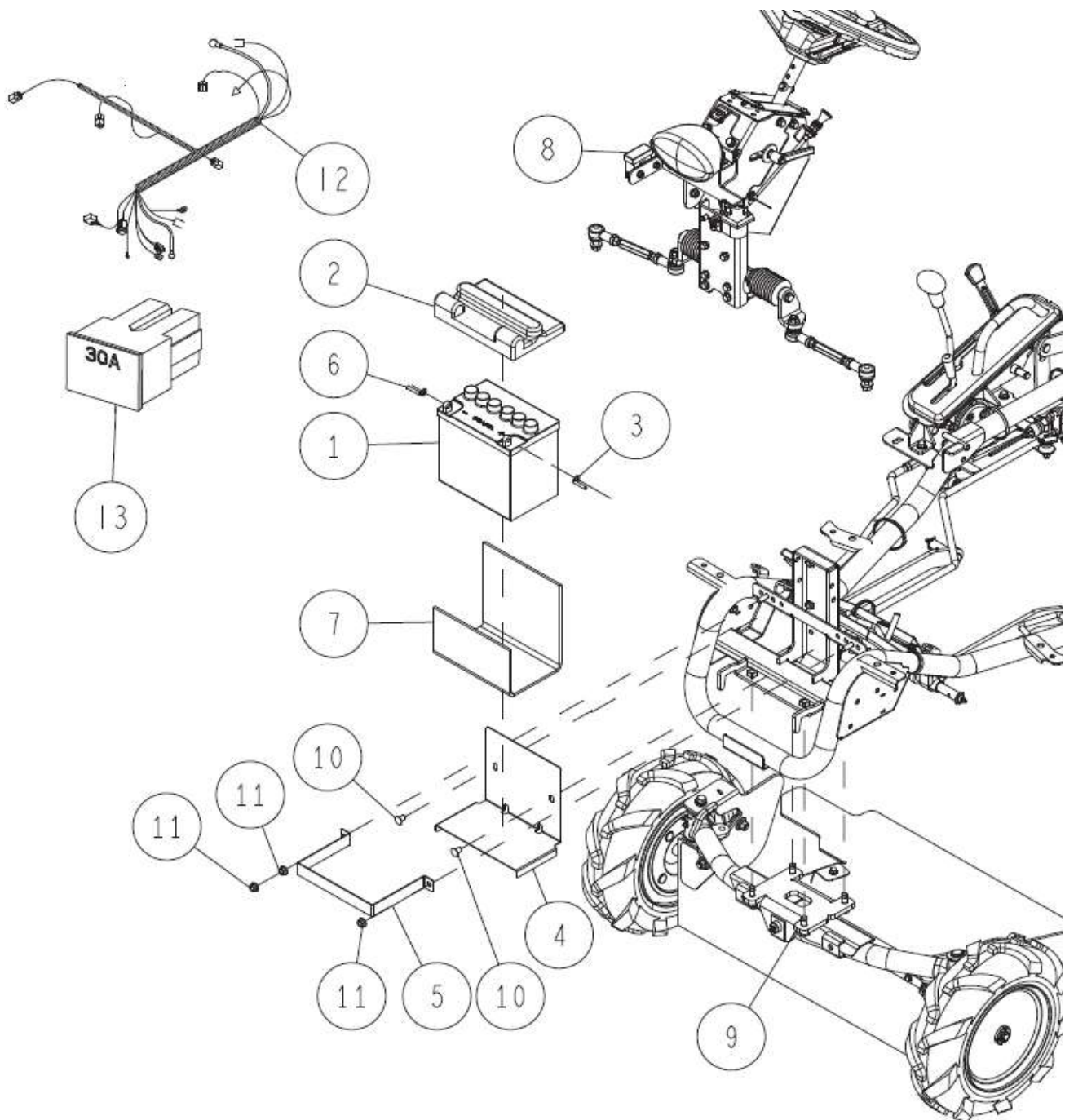


1	80-1792-988-00	Harness Clip 8	1	1	
2	0215-70600	Lever Grip (Red)	1	1	
3	0229-13100	Rubber, L20	1	1	
4	0276-01900	Spring for Change Arm Return	1	1	
5	0310-73700	Pedal Rubber	1	1	
6	0322-2250H	Upper Belt Cover (Metallic Grey)	1	1	
7	0329-5651H	Joint Link CMP (RMK150) (Metallic Grey)	1		※BYBAD00057~
	0329-5650H	Joint Link CMP (RMK150) (Metallic Grey)	1	1	※~BYBAC00056
8	0329-5710H	Offset Pedal CMP (RMK150) (Metallic Grey)	1	1	
9	0329-57300	Offset Pedal Rod (B) CMP (RMK150)	1	1	
10	0329-57400	Offset Pedal Rod (C) CMP (RMK150)	1	1	
11	0329-5810H	Pedal Stopper Bracket (RMK150) (Metallic Grey)	1	1	
12	0329-58200	Pedal Stopper (RMK150)	1	1	
13	0349-57200	Offset Pedal Rod (RMK151)	1	1	
14	83-1711-719-00	Wire Band 200L	1	1	
15	89-1233-080162	Mini Hexagonal Bolt (PWSW) M8*16	4	4	
16	89-1561-080002	Mini Hexagonal U Nut M8	1	1	
17	89-1561-100002	Mini Hexagonal U Nut M10	1	1	
18	89-1711-080002	Flat Washer 8	1	1	
19	89-1711-100002	Flat Washer 10*18*1.6	1	1	
20	89-2131-120002	Snap Pin 12	3	3	
21	89-2132-120002	Snap Pin 12 (with stopper)	1	1	
22	89-2521-000120	E Type Ring 12	1	1	
23	89-3510-016250	DU Bush 16.25	4	4	
No.	Parts Number	Parts Name	RMK151/X Q'ty	RMK150A Q'ty	Remarks

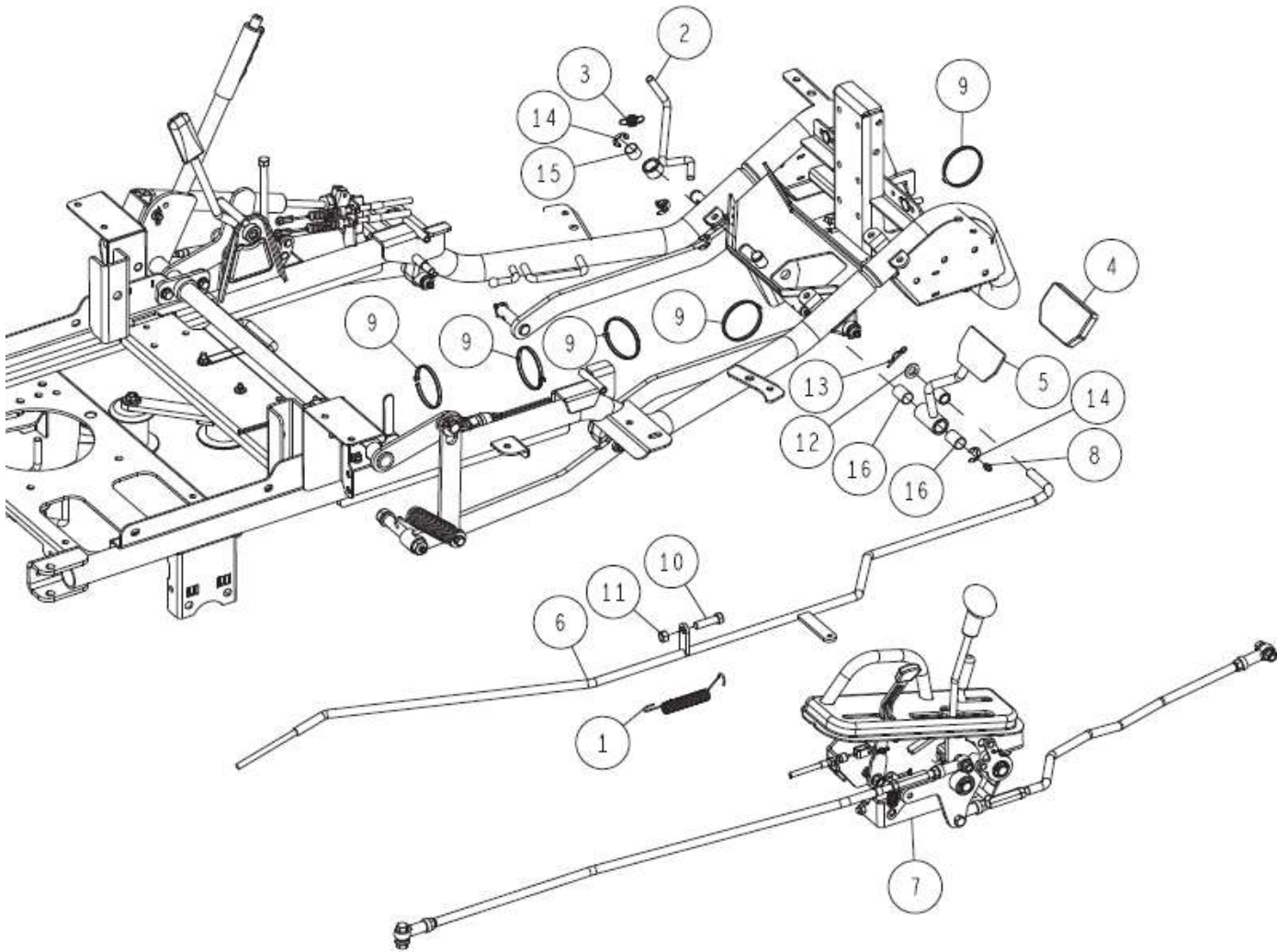


1	0207-75400	Brake Spring 30	1	1	
2	0301-60400	Rubber 110L	1	1	
3	0322-6030H	Rear Belt Cover (Metallic Grey)	1		
	0322-6030H	Rear Belt Cover (Metallic Grey)		1	BWAGA00001~(RMK150A)
	0329-6030H	Rear Belt Cover (RMK150) (Metallic Grey)		1	~46AFL00005(RMK150A)
4	-	Nission HST Part	1	1	Details P15~
5	89-1233-080202	Mini Hexagonal Bolt (PWSW) M8*20	2	2	
6	89-1561-080002	Mini Hexagonal U Nut M8	1	1	
7	89-1611-080042	Mini Hexagonal Nut M8	1	1	
8	89-1711-080002	Flat Washer 8	2	2	
No.	Parts Number	Parts Name	RMK151/X	RMK150A	Remarks
			Q'ty		

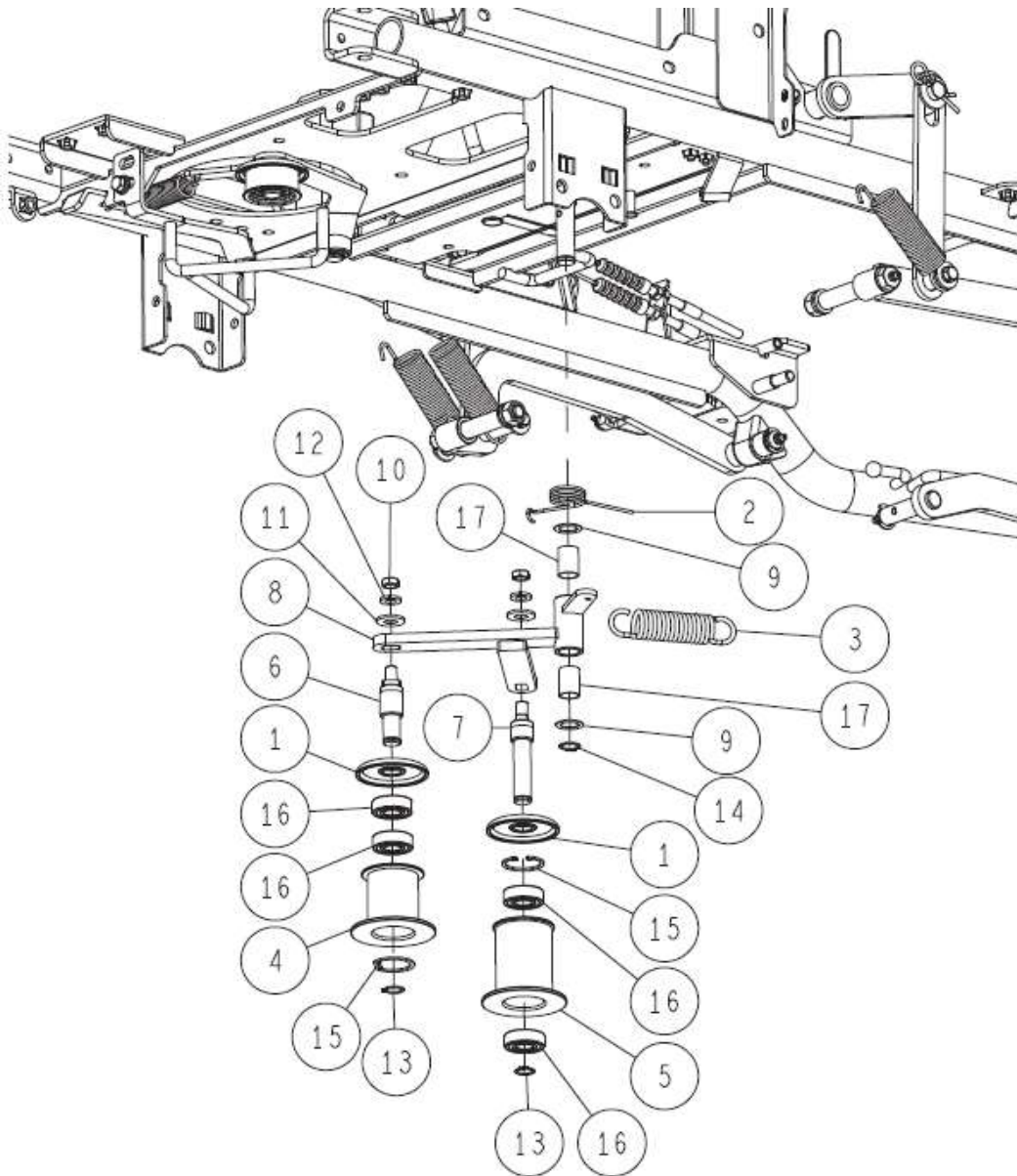
# 8/63 Frame Part 8/14



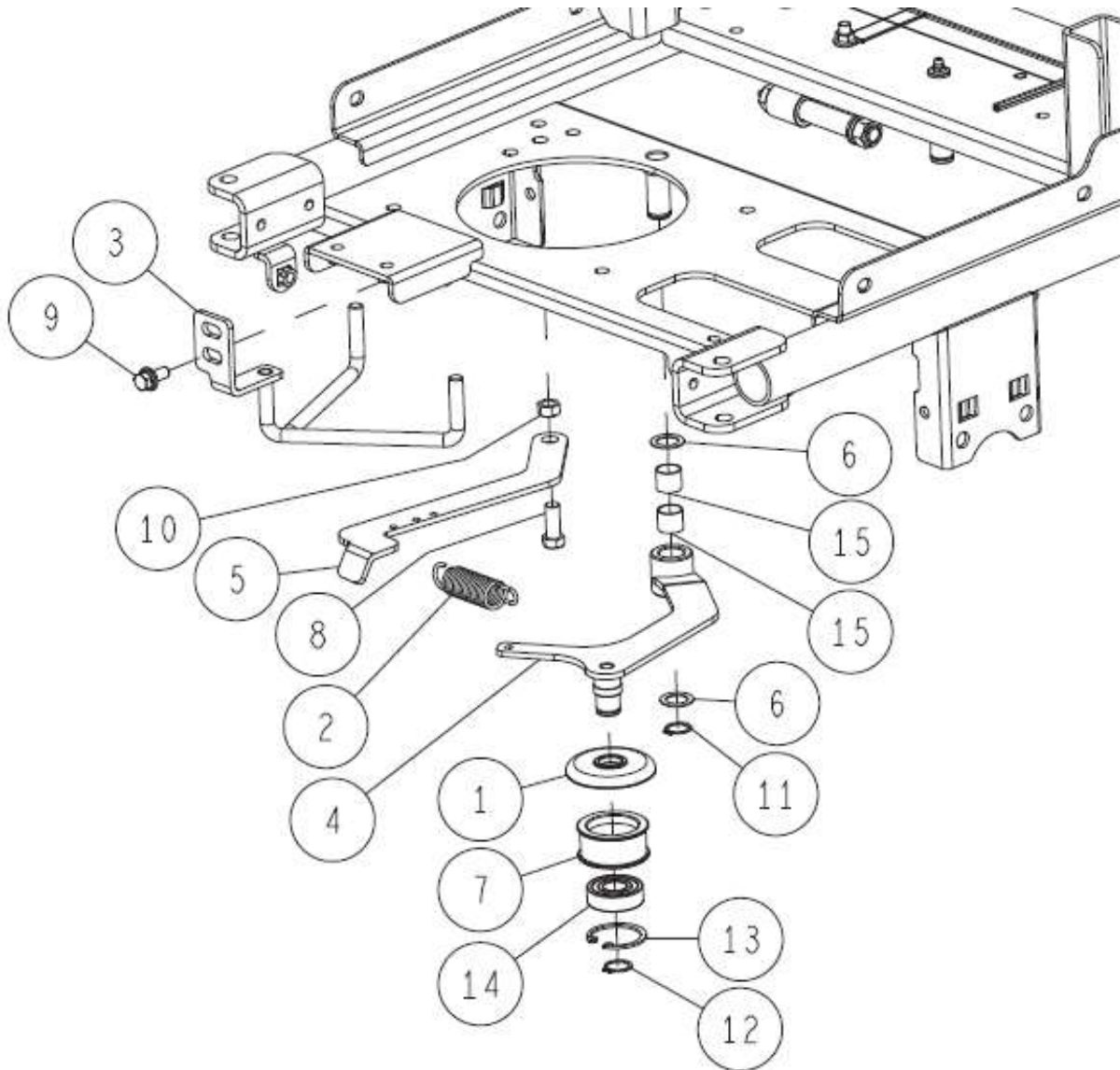
1	80-1792-976-00	Battery (30A-19L)	1	1	
2	0207-63200	Battery Cover	1	1	
3	0207-77100	Battery Plus Cord 230	1	1	
4	0322-2210H	Battery Carrier (Metallic Grey)	1	1	
5	0322-2220H	Battery Holder (Metallic Grey)	1	1	
6	0322-72200	Battery Minus Cord	1	1	
7	0322-72300	Cushion Rubber (Battery)	1	1	
8	-	Handle Part	1	1	Details P24~
9	-	Front Part	1	1	Details P28~
10	83-1484-369-00	Clip (5347)	2	2	
11	89-1631-080042	Flange Mini Hexagonal Nut M8	3	3	
12	0341-72200	Wire Harness (RM882/K)	1	1	
13	0312-75900	Fuse 30 A	1	1	
No.	Parts Number	Parts Name	RMK151/X	RMK150A	Remarks
			Q'ty		



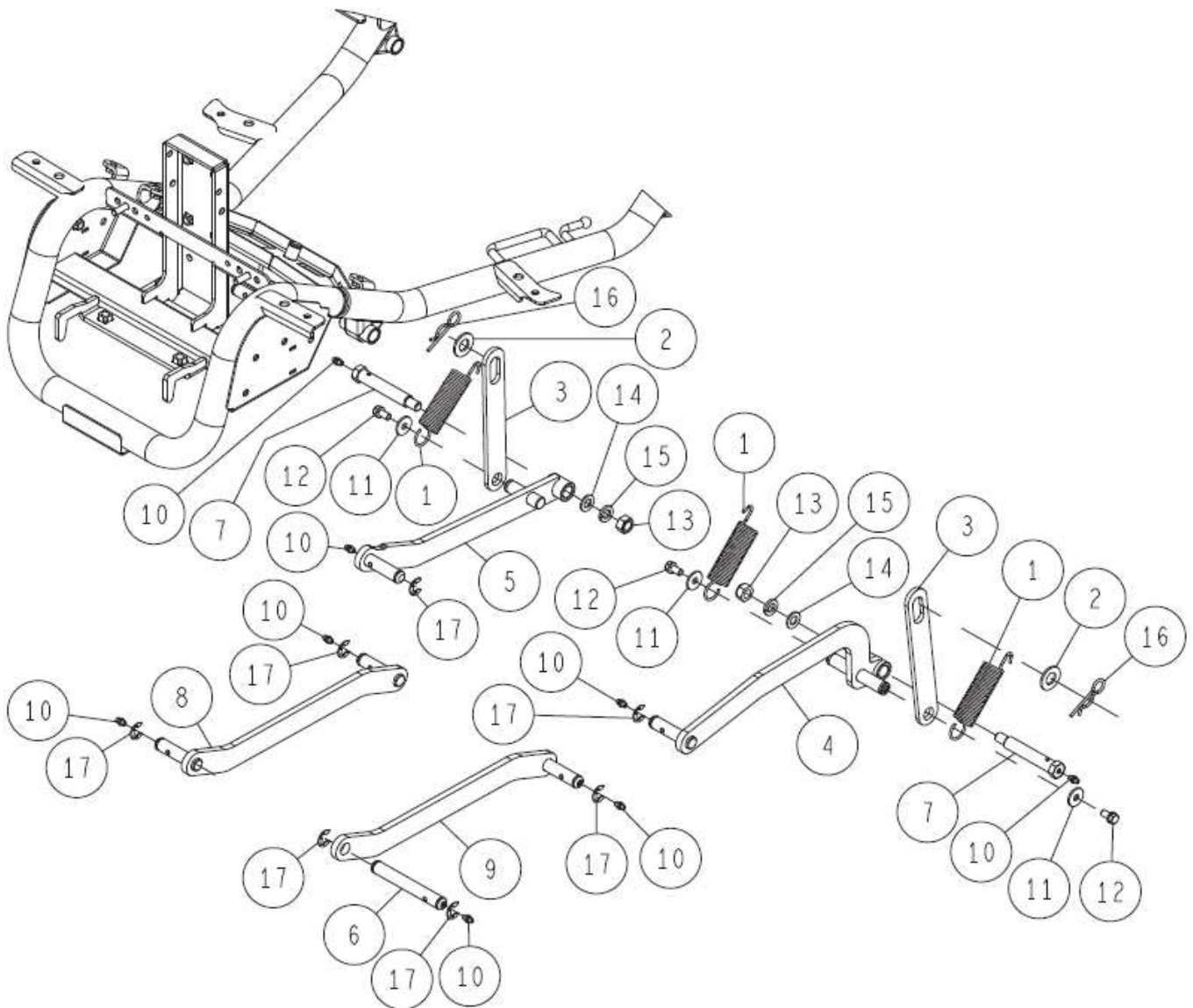
1	80-1493-354-00	Rod Return Spring	1	1	
2	0312-23100	Brake Stopper CMP	1	1	
3	0312-23200	Brake Stopper Return Spring	1	1	
4	0312-71100	Brake Pedal Rubber	1	1	
5	0322-1040H	Brake Pedal CMP (Metallic Grey)	1	1	
6	0340-10100	Brake Rod CMP	1	1	
7	-	Control Section	1	1	Details P33~
8	83-1415-975-00	Grease Nipple M6	1	1	
9	83-1711-719-00	Wire Band 200L	5	5	
10	89-1213-100352	Mini Hexagonal Bolt (8T) M10*35	1	1	
11	89-1611-100042	Mini Hexagonal Nut M10	1	1	
12	89-1711-120002	Flat Washer 12	1	1	
13	89-2131-120002	Snap Pin 12	1	1	
14	89-2521-000120	E Type Ring 12	2	2	
15	89-3510-016150	DU Bush 16.15	1	1	
16	89-3510-016250	DU Bush 16.25	2	2	
No.	Parts Number	Parts Name	RMK151/X	RMK150A	Remarks
			Q'ty		



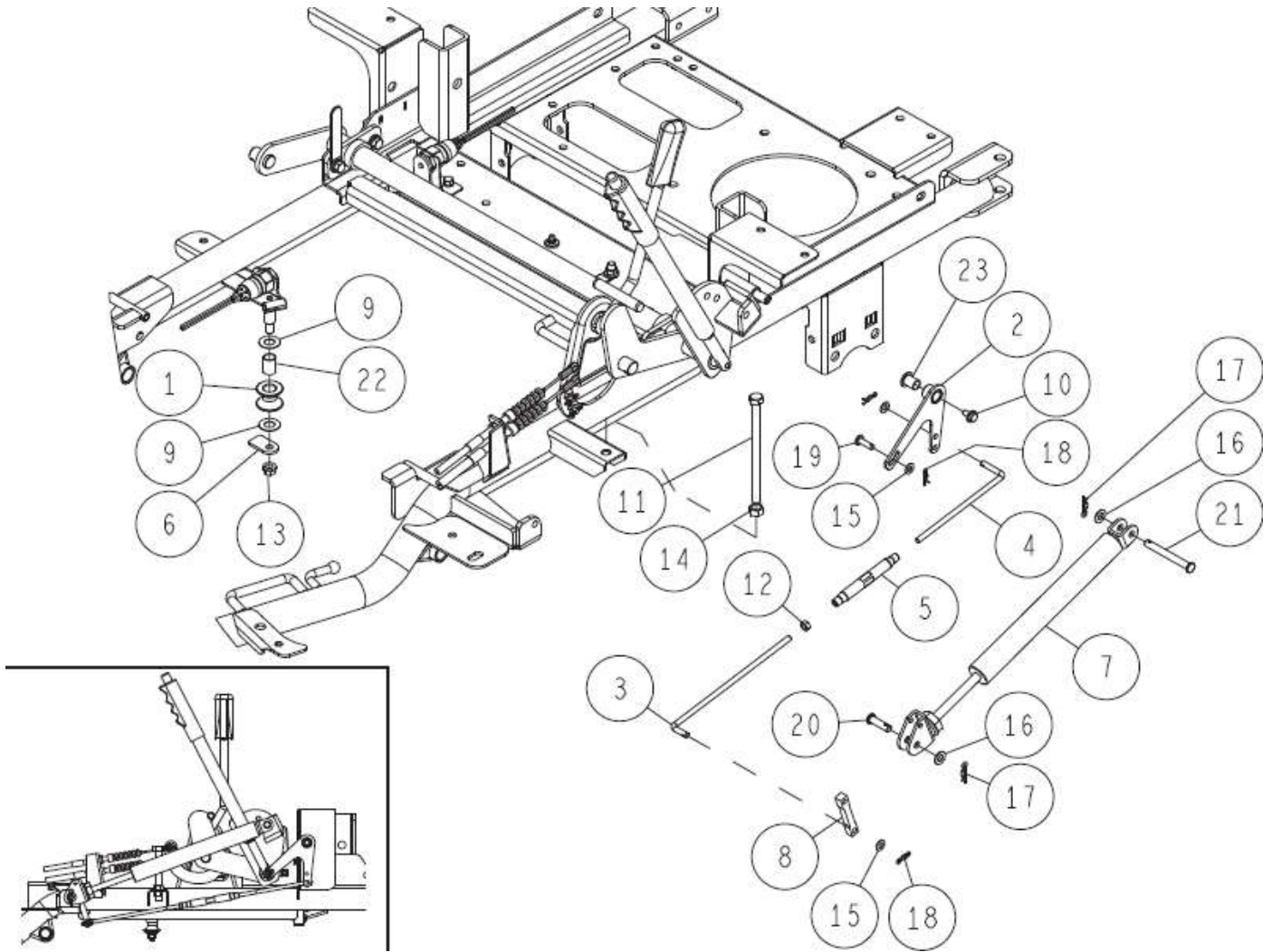
1	80-1482-549-00	Rubber Cover 58	2	2	
2	80-1483-568-00	Knife Tension Return Spring $\phi$ 29.0	1	1	
3	0207-78400	Spring For Knife Tension Return	1	1	
4	0227-40200	Knife Tension Pulley	1	1	
5	0227-40300	Knife Tension Pulley (A)	1	1	
6	0227-40400	Knife Tension Pulley Axle	1	1	
7	0244-42800	Tension Idler Shaft	1	1	
8	0329-41000	Knife Tension Arm Set (with Bush)	1	1	17×2ヶ 込み
9	83-1020-363-00	Thrust Washer 16*24*1.0	2	2	
10	89-1613-100042	Mini Hexagonal Nut (3 sorts) M10	2	2	
11	89-1713-100002	Flat Washer 10 (large)	2	2	
12	89-1750-100002	Spring Washer 10	2	2	
13	89-2511-000150	Snap Ring (S15)	2	2	
14	89-2511-000160	Snap Ring (S16)	1	1	
15	89-2512-000350	Snap Ring (R35)	2	2	
16	89-3115-062024	Bearing 6202 2RS	4	4	
17	89-3510-016250	DU Bush 16.25	2	2	
-	0227-42000	Knife Tension Pulley Set	1	1	4、6、13、15、16×2ヶ
-	0227-41000	Knife Tension Pulley (A) Set	1	1	5、7、13、15、16×2ヶ
No.	Parts Number	Parts Name	RMK151/X	RMK150A	Remarks
			Q'ty		



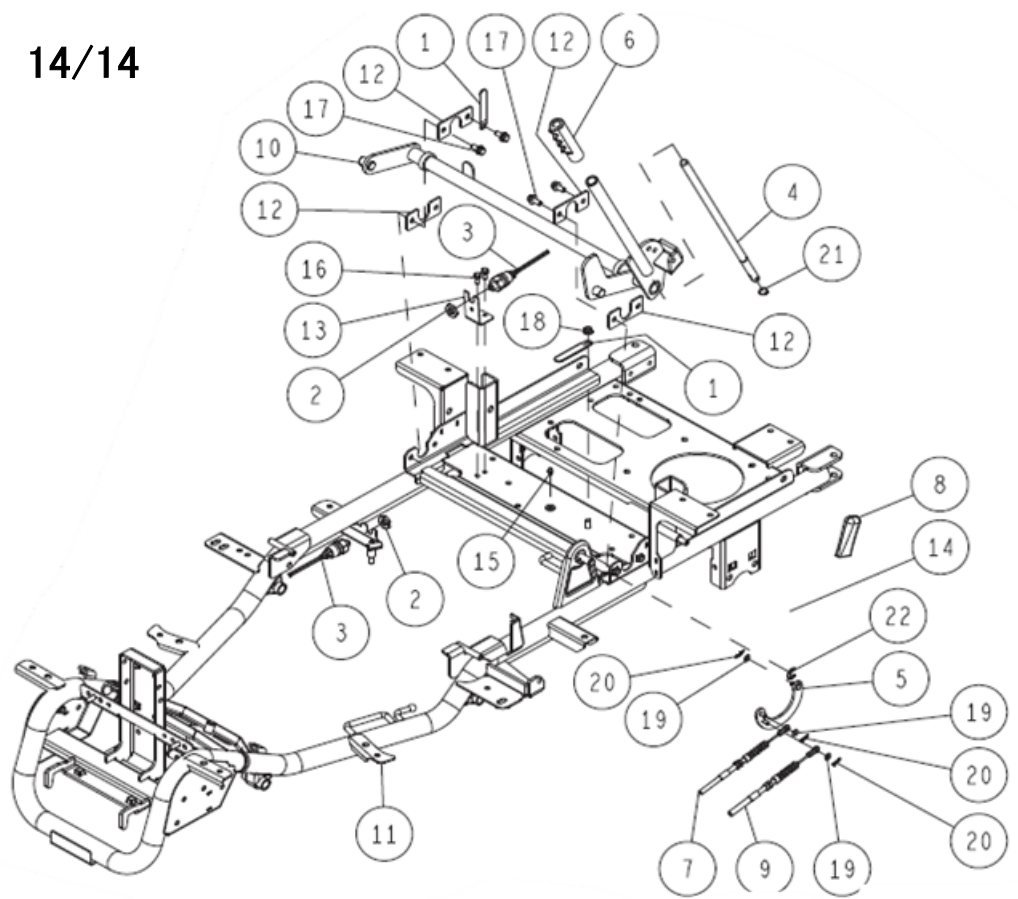
1	80-1482-549-00	Rubber Cover 58	1	1	
2	80-1485-551-00	Driving Tension Spring	1	1	
3	0312-4140H	Belt Holder CMP (Metallic Grey)	1	1	
4	0322-40000	Drive Tension Arm Set (with bush)	1	1	15×2ヶ 込み
5	0322-4140H	Driving Tension Spring Arm (Metallic Grey)	1	1	
6	83-1020-363-00	Thrust Washer 16*24*1.0	2	2	
7	83-1032-765-00	Tension Pulley	1	1	
8	89-1211-100252	Mini Hexagonal Bolt M10*25	1	1	
9	89-1233-080202	Mini Hexagonal Bolt (PWSW) M8*20	1	1	
10	89-1611-100042	Mini Hexagonal Nut M10	1	1	
11	89-2511-000160	Snap Ring (S16)	1	1	
12	89-2511-000170	Snap Ring (S17)	1	1	
13	89-2512-000400	Snap Ring (R40)	1	1	
14	89-3115-062034	Bearing 6203 2RS	1	1	
15	89-3510-016150	DU Bush 16.15	2	2	
-	83-1032-760-00	Tension Pulley Assy	1	1	7、13、14
No.	Parts Number	Parts Name	RMK151/X	RMK150A	Remarks
			Q'ty		



1	0207-76200	Spring (Up/Down)	3	3	
2	0207-76800	Washer 16*32*2.3	2	2	
3	0244-1040H	Connecting Plate (Metallic Grey)	2	2	
4	0329-5040H	Rear Link Arm CMP(L) (RMK150) (Metallic Grey)	1	1	
5	0329-5050H	Rear Link Arm CMP (R) (RMK150) (Metallic Grey)	1	1	
6	0329-51100	Link Pin(RMK150)	1	1	
7	0329-51200	Link Bolt	2	2	
8	0341-5020H	Front Link Arm (R) CMP (Metallic Grey)	1	1	
9	0349-5030H	Front Link Arm CMP (L) (Metallic Grey)	1	1	
10	83-1415-975-00	Grease Nipple M6	8	8	
11	83-1751-311-00	Flat Washer 8*25*2.3	3	3	
12	89-1232-080162	Mini Hexagonal Bolt (SW) M8*16	3	3	
13	89-1551-120002	Hexagonal U Nut M12	2	2	
14	89-1711-120002	Flat Washer 12	2	2	
15	89-1750-120002	Spring Washer 12	2	2	
16	89-2131-160002	Snap Pin 16	2	2	
17	89-2521-000120	E Type Ring 12	7	7	
No.	Parts Number	Parts Name	RMK151/X	RMK150A	Remarks
			Q'ty		



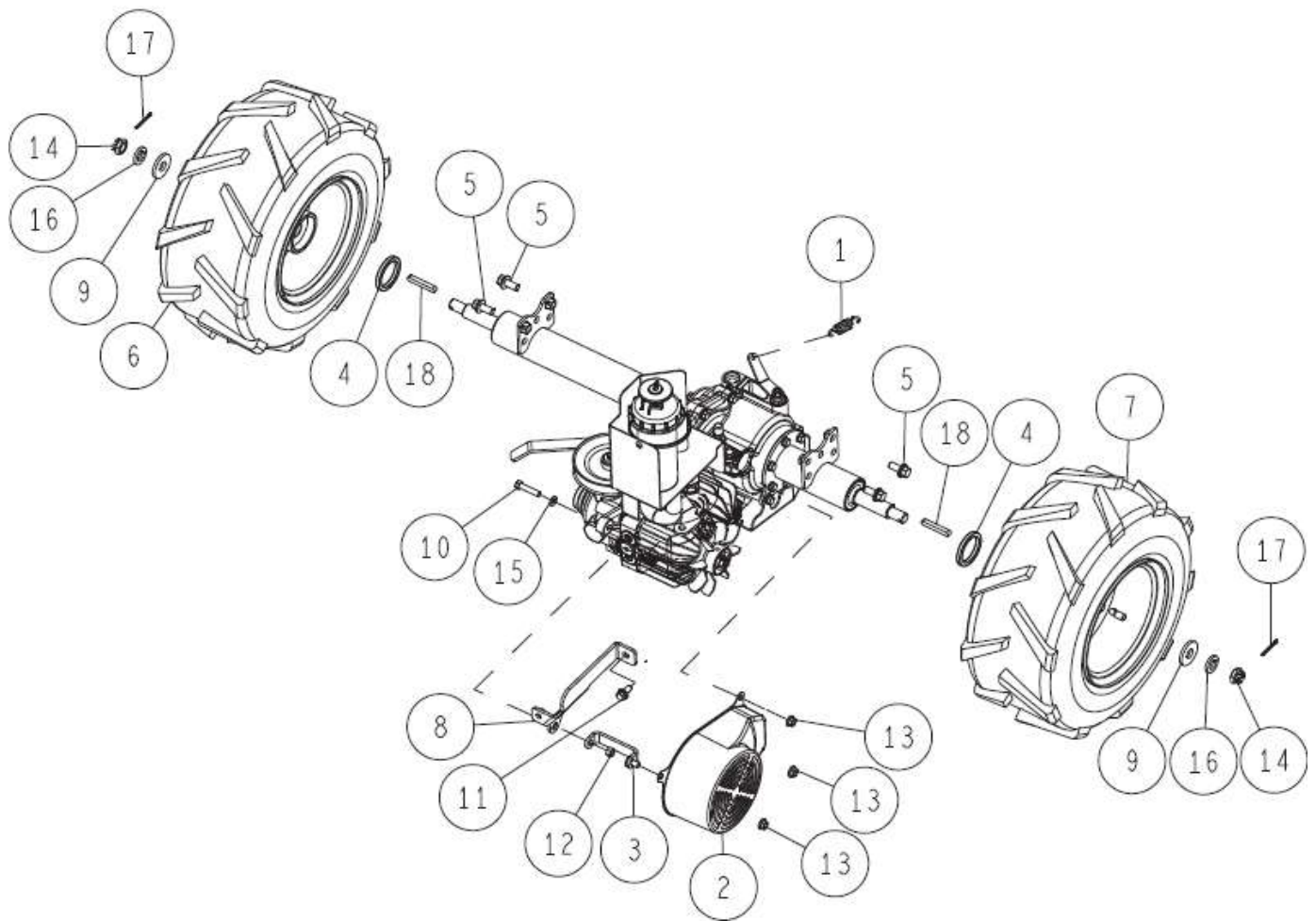
1	80-1484-354-10	Brake Rod Roller	1	1	
2	0244-11300	Push Rod Receiver CMP	1	1	
3	0244-11400	Push Rod	1	1	
4	0244-11500	Adjuster Rod (R)	1	1	
5	0244-11600	Adjuster Rod (L)	1	1	
6	0244-22600	Turn Buckle (Pipe Type)	1	1	
7	0303-71100	Gas Spring Free Lock Type (FLC75-75)	1	1	
8	0329-10500	Lock Pusher(RMK150)	1	1	
9	83-1020-355-00	Thrust Washer 12*24*1.0	2	2	
10	89-1137-060122	Hexagonal Bolt (PW) M6*12	1	1	
11	89-1213-101402	Mini Hexagonal Bolt (8T) M10*140	1	1	
12	89-1511-060042	Hexagonal Nut M6	1	1	
13	89-1543-080002	Mini Hexagonal Nut (SW) M8	1	1	
14	89-1611-100042	Mini Hexagonal Nut M10	1	1	
15	89-1711-060002	Flat Washer 6	3	3	
16	89-1711-080002	Flat Washer 8	2	2	
17	89-2131-080002	Snap Pin 8	2	2	
18	89-2132-060002	Snap Pin 6 (with stopper)	3	3	
19	89-2181-060202	Flat Head Pin 6*20	1	1	
20	89-2181-080282	Flat Head Pin 8*28	1	1	
21	89-2181-080692	Flat Head Pin 8*69	1	1	
22	89-3510-012200	DU Bush 12.20	1	1	
23	89-3511-010150	DU Bush 10.15.18F	1	1	
No.	Parts Number	Parts Name	RMK151/X	RMK150A	Remarks
			Q'ty		



※~BYAJJ00174 Part (14) is not

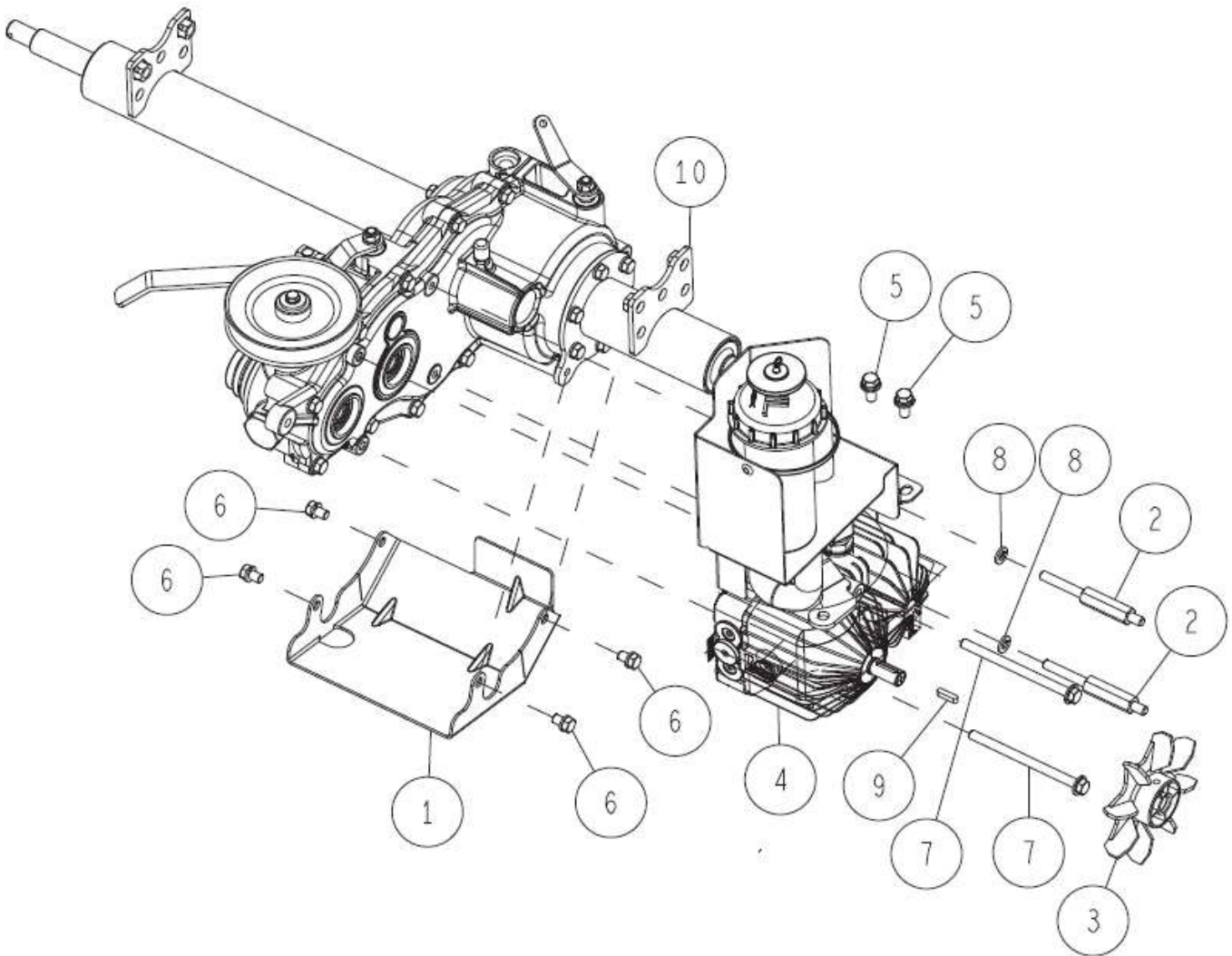
1	80-1792-988-00	Harness Clip 8	2	2	
2	0207-72800	Switch Lock Nut	2	2	
3	0207-74400	Safety Switch K17850	2	2	
4	0244-10600	Push Rod	1	1	
5	0244-13700	Wire Joint CMP	1	1	
6	0342-70200	Adjusting Shaft Grip	1	1	
	0342-74200	Adjusting Shaft Grip	1	1	
7	0284-71100	Knife Brake Wire	1	1	
	0284-71110	Knife Brake Wire	1	1	
8	0289-71300	Arm Grip (Red)	1	1	
	0342-74100	Arm Grip (Red)	1	1	
9	0322-75110	Knife Clutch Wire (SUS)	1	1	
10	0341-1051H	Up/Down Adjusting Shaft CMP (Metallic Grey)	1		BYAJM00175~
	0341-1050H	Up/Down Adjusting Shaft CMP (Metallic Grey)	1		~BYAJJ00174
	0322-13101	Up/Down Adjusting Shaft CMP (White)		1	
11	0341-2010H	Frame CMP (Metallic Grey)	1	1	
	0341-20000	Frame CMP (Metallic Grey)	1	1	BYBBK00088~
12	0342-10100	Up/Down Adjusting Shaft Stay	4		BYAJM00175~※
13	0349-13300	Safety Switch Setting Plate Spring	1	1	
	0349-13400	Knife Clutch Lever CMP (RMK150)	1		
14	0329-13401	Knife Clutch Lever CMP (RMK150) (White)		1	
	83-1415-975-00	Grease Nipple M6	1	1	
16	89-1132-060162	Hexagonal Bolt (SW) M6*16	2	2	
17	89-1233-080202	Mini Hexagonal Bolt (PWSW) M8*20	4	4	
18	89-1631-080042	Flange Mini Hexagonal Nut M8	1	1	
19	89-1711-060002	Flat Washer 6	3	3	
20	89-2132-060002	Snap Pin 6 (with stopper)	3	3	
21	89-2511-000130	Snap Ring (S13)	1	1	
22	89-2521-000120	E Type Ring 12	1	1	
-	0244-11200	Push Rod	1	1	4、21
No.	Parts Number	Parts Name	RMK151/X	RMK150A	Remarks
			Q'ty		

15/63 Mission HST Part 1/9

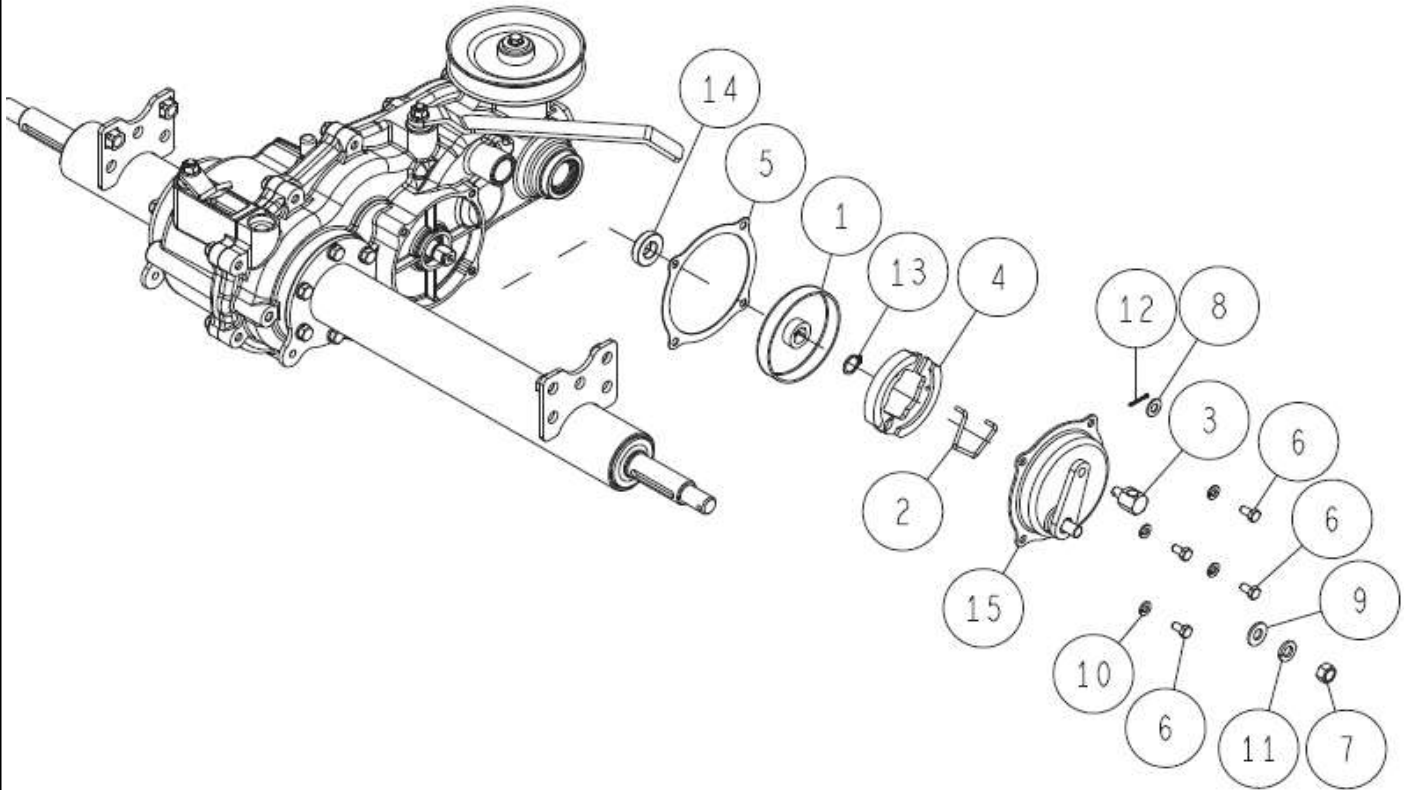


1	80-1425-551-00	Differential Lock Spring	1	1	
2	0207-0720H	Fan Cover CMP (Metallic Grey)	1	1	
3	0207-0740H	Fan Cover Setting CMP (Metallic Grey)	1	1	
4	0207-77800	Wheel Boss Dust Seal	2	2	
5	0244-83200	Mini Hexagonal Bolt (PWSW) M10*25 (7T Lock)	4	4	
	0244-83210	Mini Hexagonal Bolt (PWSW) M10*25 (7T Lock)	4	4	
6	0272-33000	Rear Tire (L) ASSY (16×7.00-8) (Include Wheel Boss)	1	1	詳細 P32
7	0272-34000	Rear Tire (R) ASSY (16×7.00-8) (Include Wheel Boss)	1	1	詳細 P32
8	0322-0150H	Transmission Hunger Stay CMP (Metallic Grey)	1		
	0322-0150H	Transmission Hunger Stay CMP (Metallic Grey)		1	BWAGA00001~
	0329-0150H	Transmission Hunger Stay CMP (RMK150) (Metallic Grey)		1	~46AFL00005
9	83-1630-335-00	Washer 16*40*4.5	2	2	
10	89-1211-080352	Mini Hexagonal Bolt M8*35	1	1	
11	89-1233-080202	Mini Hexagonal Bolt (PWSW) M8*20	1	1	
12	89-1561-080002	Mini Hexagonal U Nut M8	1	1	
13	89-1631-080042	Flange Mini Hexagonal Nut M8	3	3	
14	89-1658-160042	Low Fluted Nut (2 sorts) M16	2	2	
15	89-1750-080002	Spring Washer 8	1	1	
16	89-1750-160002	Spring Washer 16	2	2	
17	89-2120-350352	Split Pin 3.5*35	2	2	
18	89-2150-070500	Key 7*50 (round)	2	2	
-	0349-09010	Transmission Assy (with HST) (RMK151)	1		
	0349-09010	Transmission Assy (with HST) (RMK151)		1	BWAGA00001~/詳細 P16
	0329-09000	Transmission Assy (with HST) (RMK150)		1	~46AFL00005/詳細 P16
No.	Parts Number	Parts Name	RMK151/X Q'ty	RMK150A Q'ty	Remarks

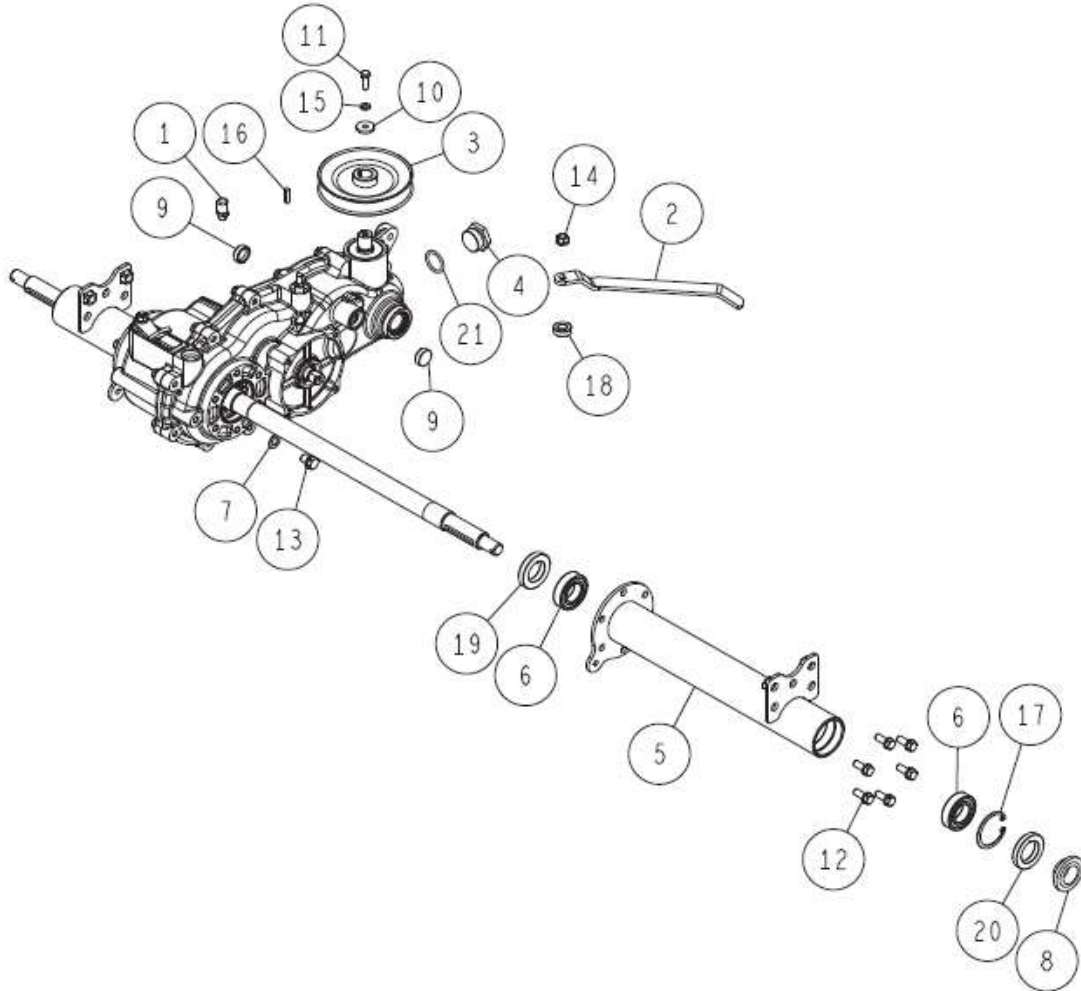
16/63 Mission HST Part 2/9



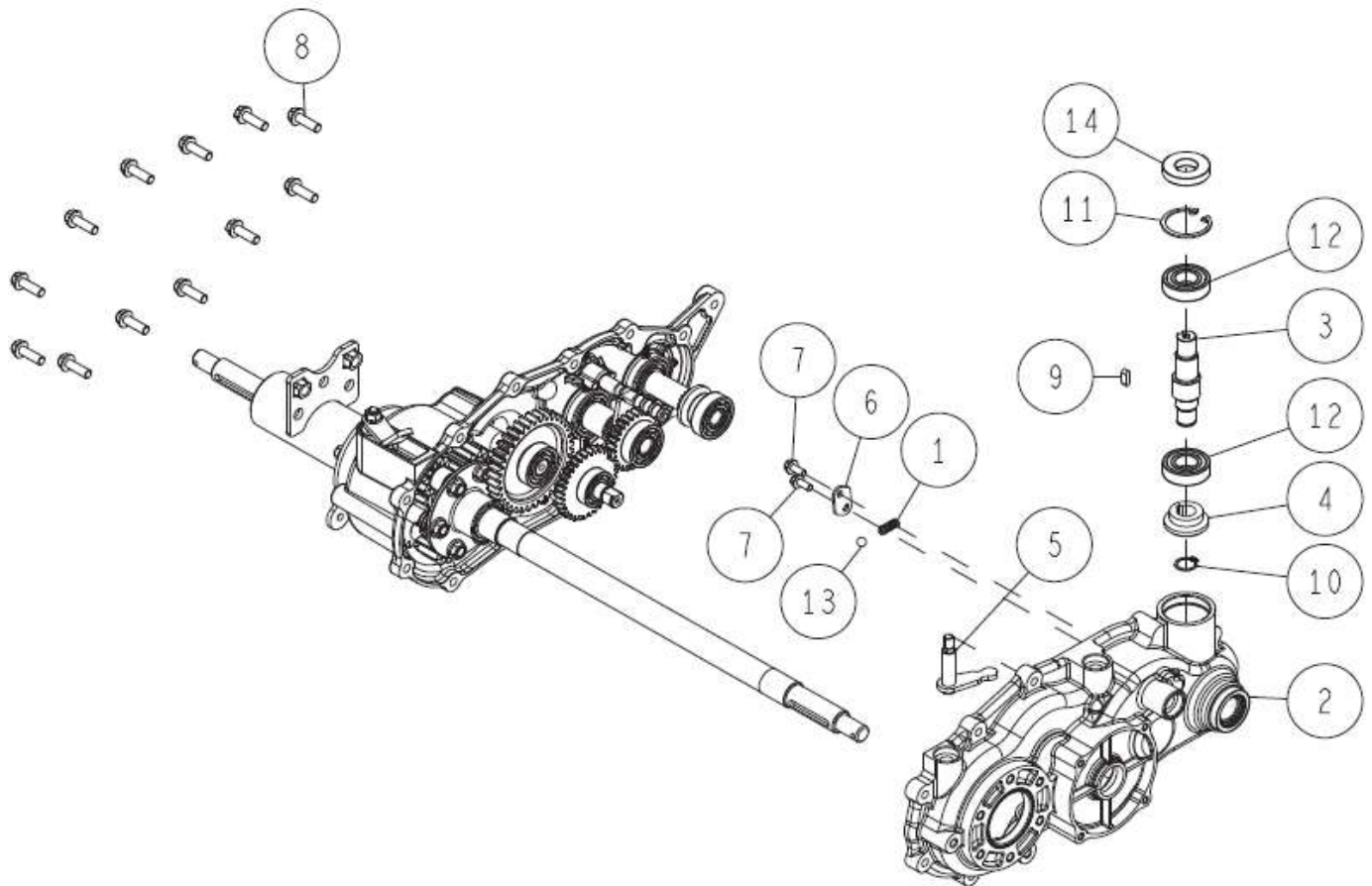
1	0207-0310H	Mission Guard CMP (Metallic Grey)	1	1	
2	0207-07300	Double Spring Bolt	2	2	
3	0207-07500	Fan	1	1	
4	0348-09200	HST Unit (KYB)Assy (RM982)	1	1	詳細 P23
5	89-1233-080202	Mini Hexagonal Bolt (PWSW) M8*20	2	2	
6	89-1235-080122	Mini Hexagonal Bolt (SW) M8*12	4	4	
7	89-1251-081123	Flange Mini Hexagonal Bolt M8*112	2	2	
8	89-1750-080002	Spring Washer 8	2	2	
9	89-2150-050200	Key 5*20 (round)	1	1	
10	0323-09100	Transmission Assy (without HST) (RM951)	1		
	0323-09100	Transmission Assy (without HST) (RM951)		1	BWAGA00001~/詳細 P17~
	0329-09100	Transmission Assy (without HST) (RMK150)		1	~46AFL00005/詳細 P17~
No.	Parts Number	Parts Name	RMK151/X Q'ty	RMK150A Q'ty	Remarks



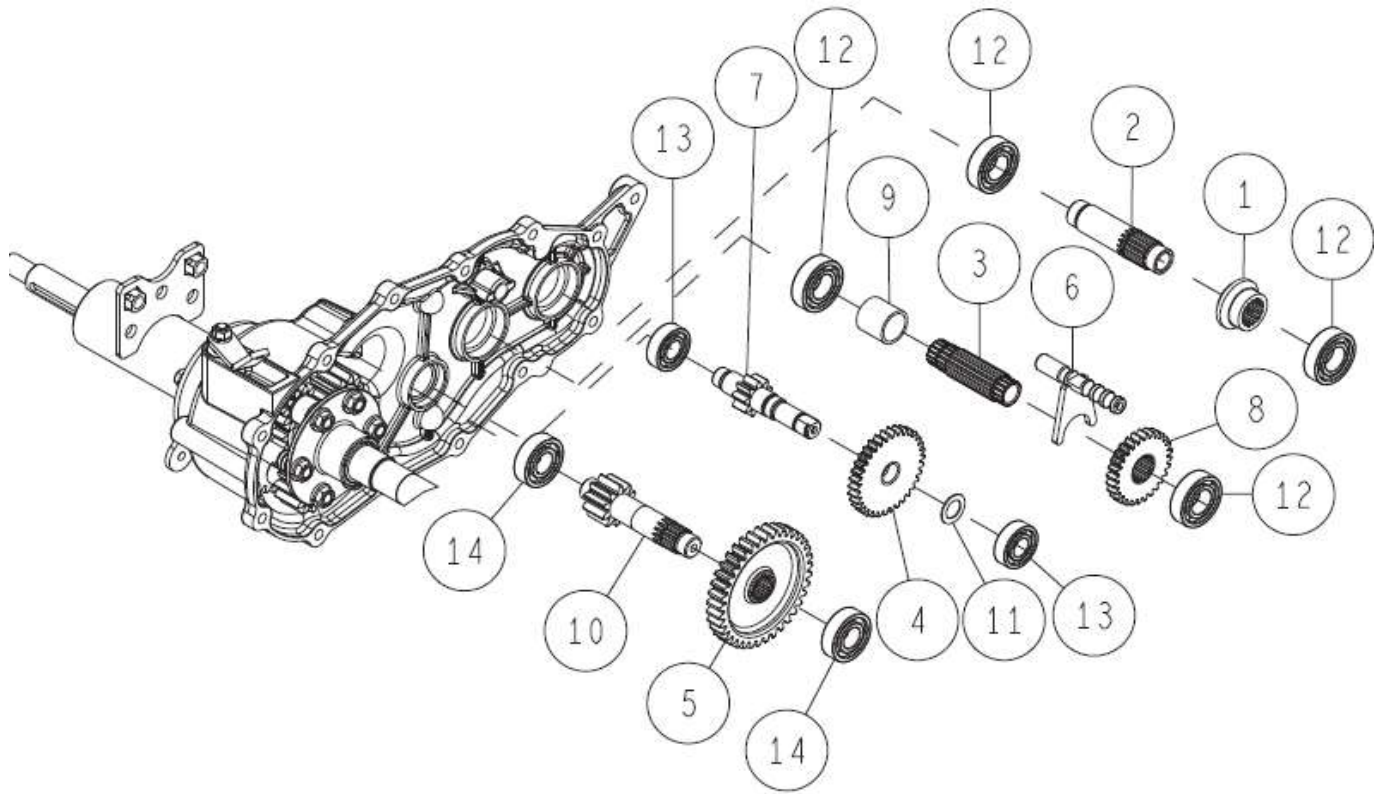
1	80-1030-282-00	Brake Drum (PA-7)	1	1	
2	80-1030-285-00	Spring for Brake Shoe Return	1	1	
3	0207-10300	Brake Joint	1	1	
4	0244-88100	Brake Shoe Set (PA-7)	1	1	
5	0308-00300	Brake Cover PK (PA-7)	1	1	
6	89-1113-060122	Hexagonal Bolt (8T) M6*12	4	4	
7	89-1611-100042	Mini Hexagonal Nut M10	1	1	
8	89-1711-080002	Flat Washer 8	1	1	
9	89-1712-100000	Flat Washer 10	1	1	
10	89-1750-060002	Spring Washer 6	4	4	
11	89-1750-100002	Spring Washer 10	1	1	
12	89-2120-200152	Split Pin 2*15	1	1	
13	89-2511-000150	Snap Ring (S15)	1	1	
14	89-5125-153007	Oil Seal UE 15.30.07F	1	1	
15	-	Brake cover & Brake arm	1	1	※ASSY部品供給時のみ供給
-	0207-73000	Brake Assy	1	1	1、2、4、5、7、9、11、15
-	0207-73100	Brake Cap Assy	1	1	1、2、4、7、9、11、15
-	0207-73200	Brake Cap Assy	1	1	2、4、7、9、11、15
No.	Parts Number	Parts Name	RMK151/X	RMK150A	Remarks
			Q'ty		



1	0207-06100	Air Breather	1	1	
2	0215-0010H	Driving Clutch Arm (Metallic Grey)	1	1	
3	0284-4020H	Transmission Pulley (Hi) (Metallic Grey)	1	1	
4	0289-01100	Oil Plug Assy (without O Ring)	1	1	
5	0244-0110H	Axle Case (L) CMP (Metallic Grey)	1		
	0244-0110H	Axle Case (L) CMP (Metallic Grey)		1	BWAGA00001~
	0281-0010H	Axle Case CMP (L) (Metallic Grey)		1	~46AFL00005
6	0342-77800	Bearing 6005 2NSE-NB	2	2	
7	83-1020-349-00	Copper Packing 10.5*18*1.6	1	1	
8	83-1415-663-00	Oil Seal AP 25.30.15	1	1	
9	83-1415-671-00	Blind Cover 22	2	2	
10	83-1482-311-00	Washer 6.5*22*3.2	1	1	
11	89-1113-060202	Hexagonal Bolt (8T) M6*20	1	1	
12	89-1232-080202	Mini Hexagonal Bolt (SW) M8*20	6	6	
13	89-1252-100122	Flange Mini Hexagonal Bolt M10*12 (slender)	1	1	
14	89-1543-080002	Mini Hexagonal Nut (SW) M8	1	1	
15	89-1750-060002	Spring Washer 6	1	1	
16	89-2151-050200	Key 5*20 (half round)	1	1	
17	89-2512-000470	Snap Ring (R47)	1	1	
18	89-5121-122207	Oil Seal UE 12.22.7	1	1	
19	89-5121-284708	Oil Seal UE 28.47.8	1	1	
20	89-5121-304707	Oil Seal UE 30.47.7	1	1	
21	89-5221-024000	O Ring P24	1	1	
-	0289-01000	Oil Plug Assy (with O Ring)	1	1	4、21
-	0244-08000	Oil Seal 25.47.15(with DP)	1	1	8、20
No.	Parts Number	Parts Name	RMK151/X	RMK150A	Remarks
			Q'ty		

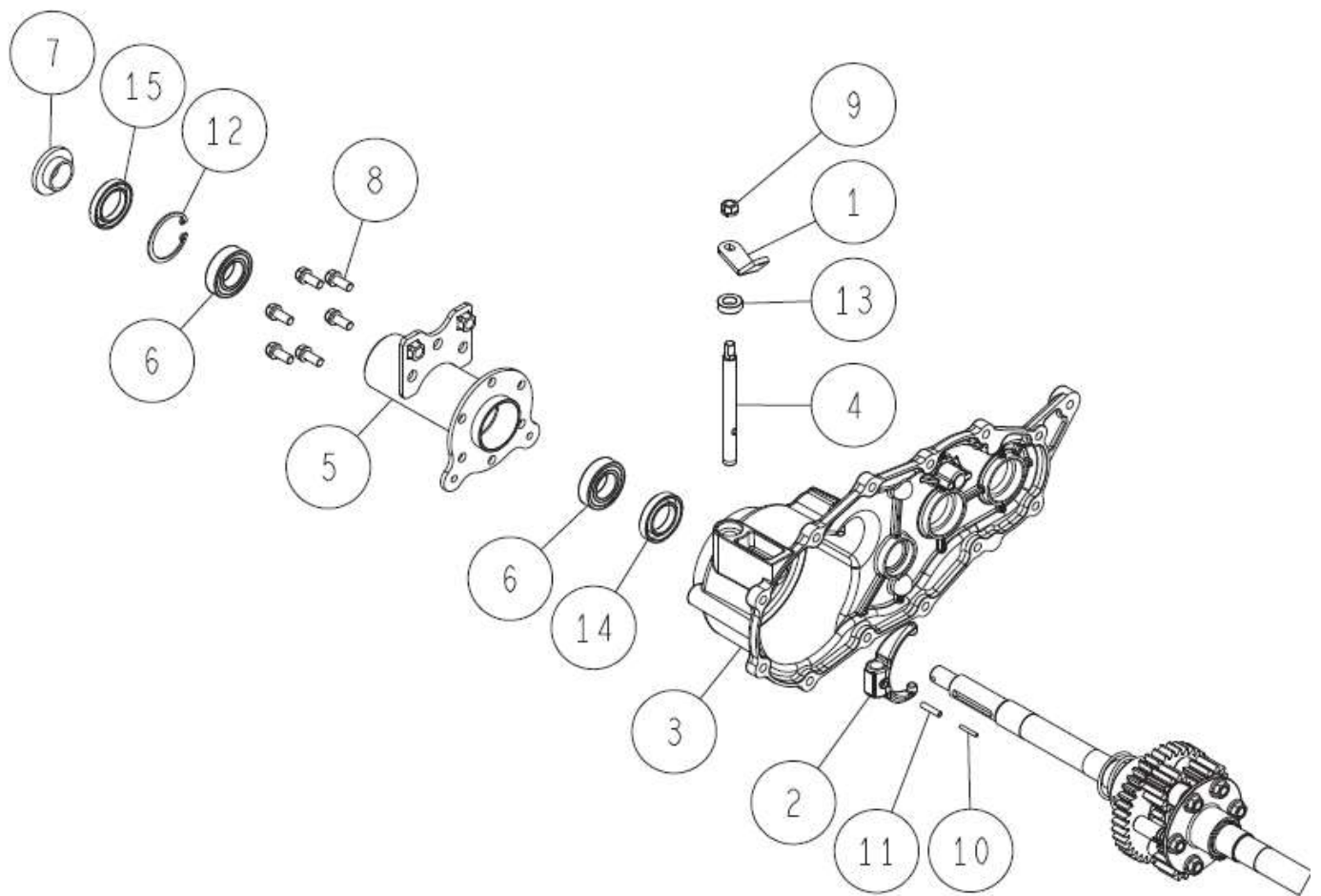


1	80-1310-138-00	Spring 1.4	1	1	
2	0207-00100	Transmission Case(L)	1	1	
3	0207-00300	A Axle	1		
	0207-00300	A Axle		1	BWAGA00001~
	0281-00300	A Axle		1	~46AFL00005
4	0207-00400	20T Spiral Mita Gear(L)	1	1	
5	0207-01700	Swing Arm CMP	1	1	
6	0207-01900	Shift Spring Holder	1	1	
7	83-1020-148-00	Tapping Bolt M6*14	2	2	
8	83-1482-143-00	Tapping Bolt M8*25	12	12	
9	89-2150-050160	Key 5*16 (round)	1	1	
10	89-2511-000170	Snap Ring (S17)	1	1	
11	89-2512-000420	Snap Ring (R42)	1	1	
12	89-3115-060044	Bearing 6004 2RS	2	2	
13	89-3410-080000	Steel Ball 8.0	1	1	
14	89-5121-204208	Oil Seal UE 20.42.8	1	1	
No.	Parts Number	Parts Name	RMK151/X	RMK150A	Remarks
			Q'ty		

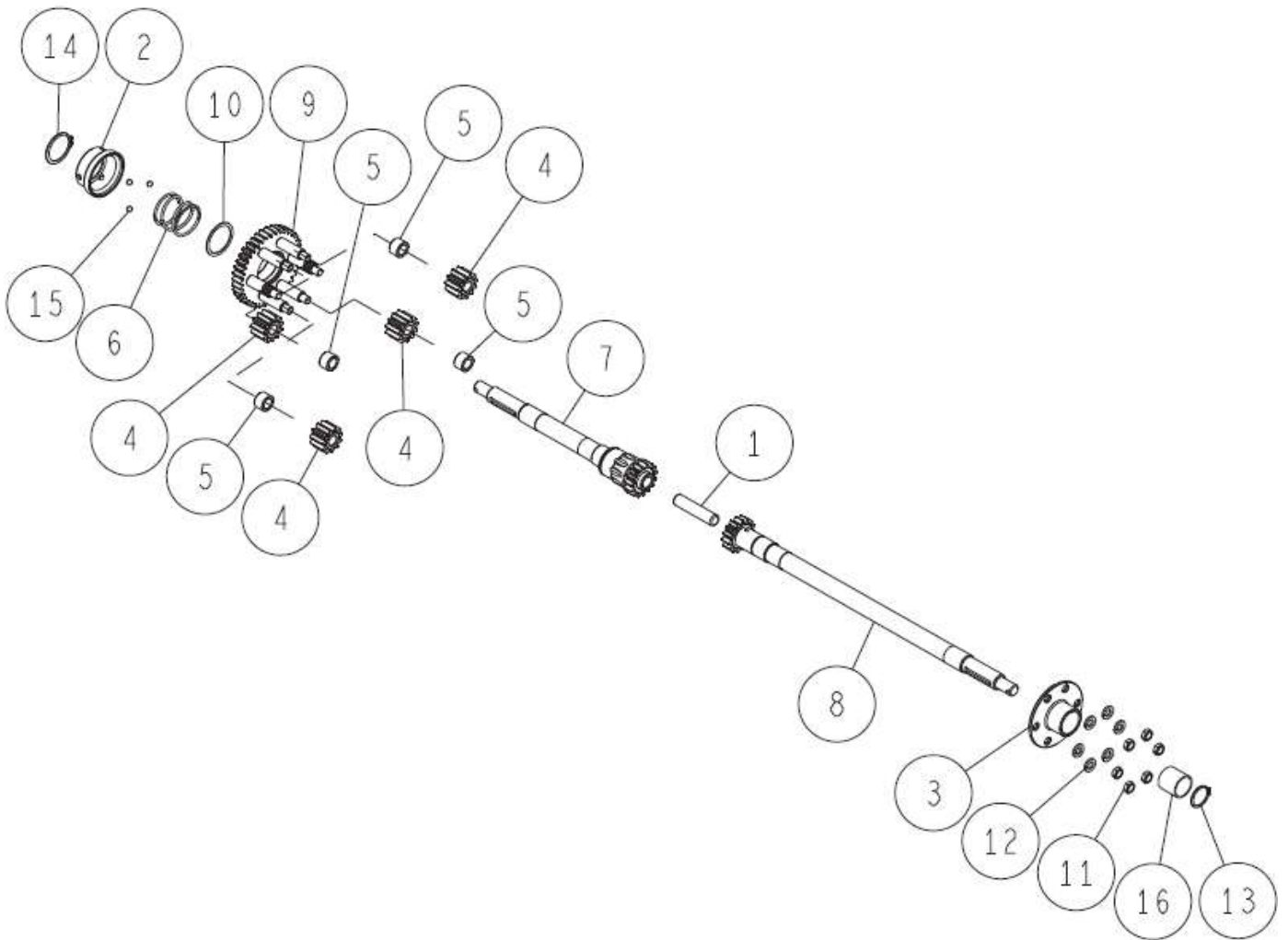


1	0207-00500	20T Spiral Mita Gear(R)	1	1	
2	0207-00600	B Axle	1	1	
3	0207-00700	C Axle	1	1	
4	0207-01310	Brake Shaft 34T Gear	1	1	
5	0207-01400	D Axle 37T Gear	1	1	
6	0207-01600	Shift Fork Shaft CMP	1	1	
7	0215-00300	Brake Shaft	1	1	
8	0215-00400	Shift Gear 28	1	1	
9	0215-00500	C Axle Collar 26	1	1	
10	0244-00400	D Axle	1	1	
11	83-1020-361-00	Thrust Washer 15*24*1.0	1	1	
12	89-3111-060044	Bearing 6004	4	4	
13	89-3111-062024	Bearing 6202	2	2	
14	89-3111-062034	Bearing 6203	2	2	
No.	Parts Number	Parts Name	RMK151/X	RMK150A	Remarks
			Q'ty		

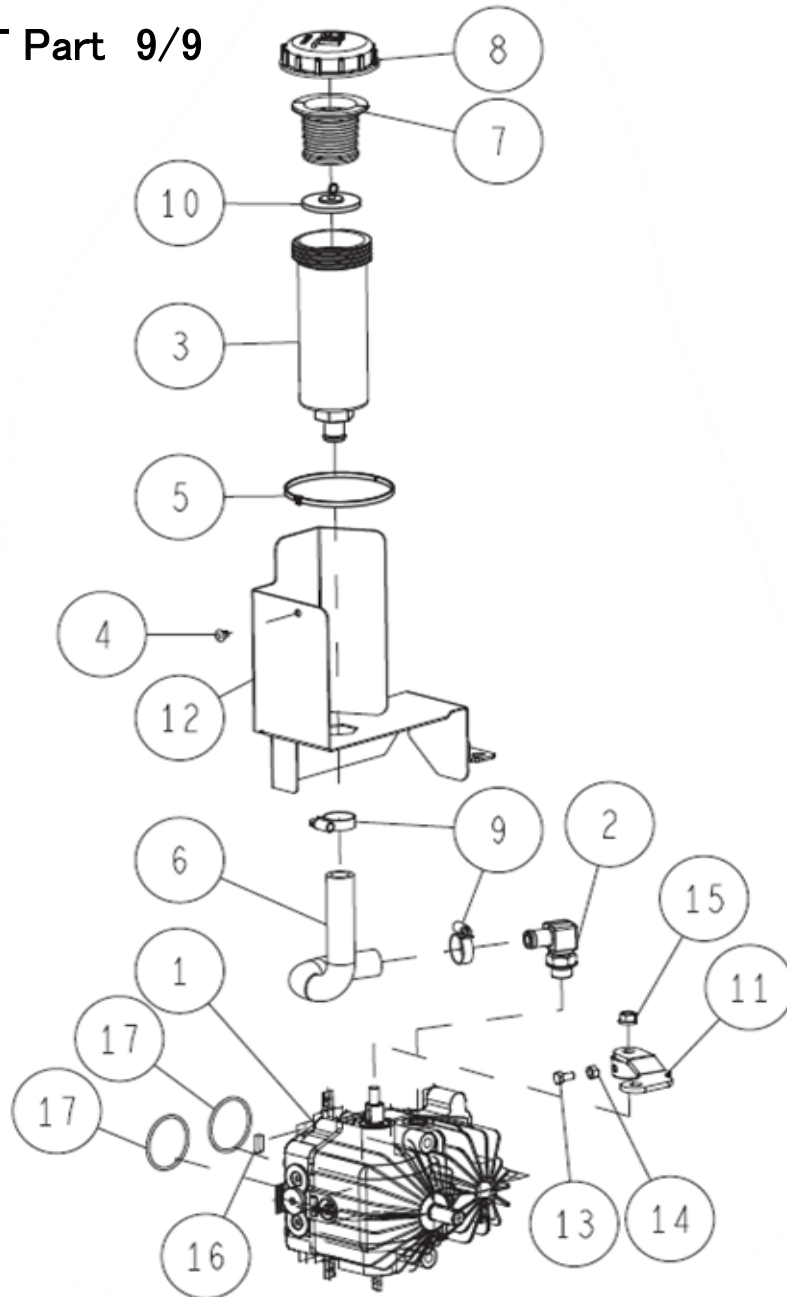
21/63 Mission HST Part 7/9



1	80-1488-153-00	Differential Lock Arm	1	1	
2	80-1830-113-00	Differential Lock Fork	1	1	
3	0207-00200	Transmission Case(R)	1	1	
4	0207-01800	Differential Lock Fork Shaft	1	1	
5	0244-0120H	Axle Case (R) CMP (Metallic Grey)	1		
	0244-0120H	Axle Case (R) CMP (Metallic Grey)		1	BWAGA00001~
	0281-0020H	Axle Case CMP (R) (Metallic Grey)		1	~46AFL00005
6	0342-77800	Bearing 6005 2NSE-NB	2	2	
7	83-1415-663-00	Oil Seal AP 25.30.15	1	1	
8	89-1232-080202	Mini Hexagonal Bolt (SW) M8*20	6	6	
9	89-1543-080002	Mini Hexagonal Nut (SW) M8	1	1	
10	89-2111-030020	Spring Pin 3*20	1	1	
11	89-2111-050022	Spring Pin 5*22	1	1	
12	89-2512-000470	Snap Ring (R47)	1	1	
13	89-5121-122207	Oil Seal UE 12.22.7	1	1	
14	89-5121-284708	Oil Seal UE 28.47.8	1	1	
15	89-5121-304707	Oil Seal UE 30.47.7	1	1	
-	0244-08000	Oil Seal 25.47.15(with DP)	1	1	7、15
No.	Parts Number	Parts Name	RMK151/X	RMK150A	Remarks
			Q'ty		

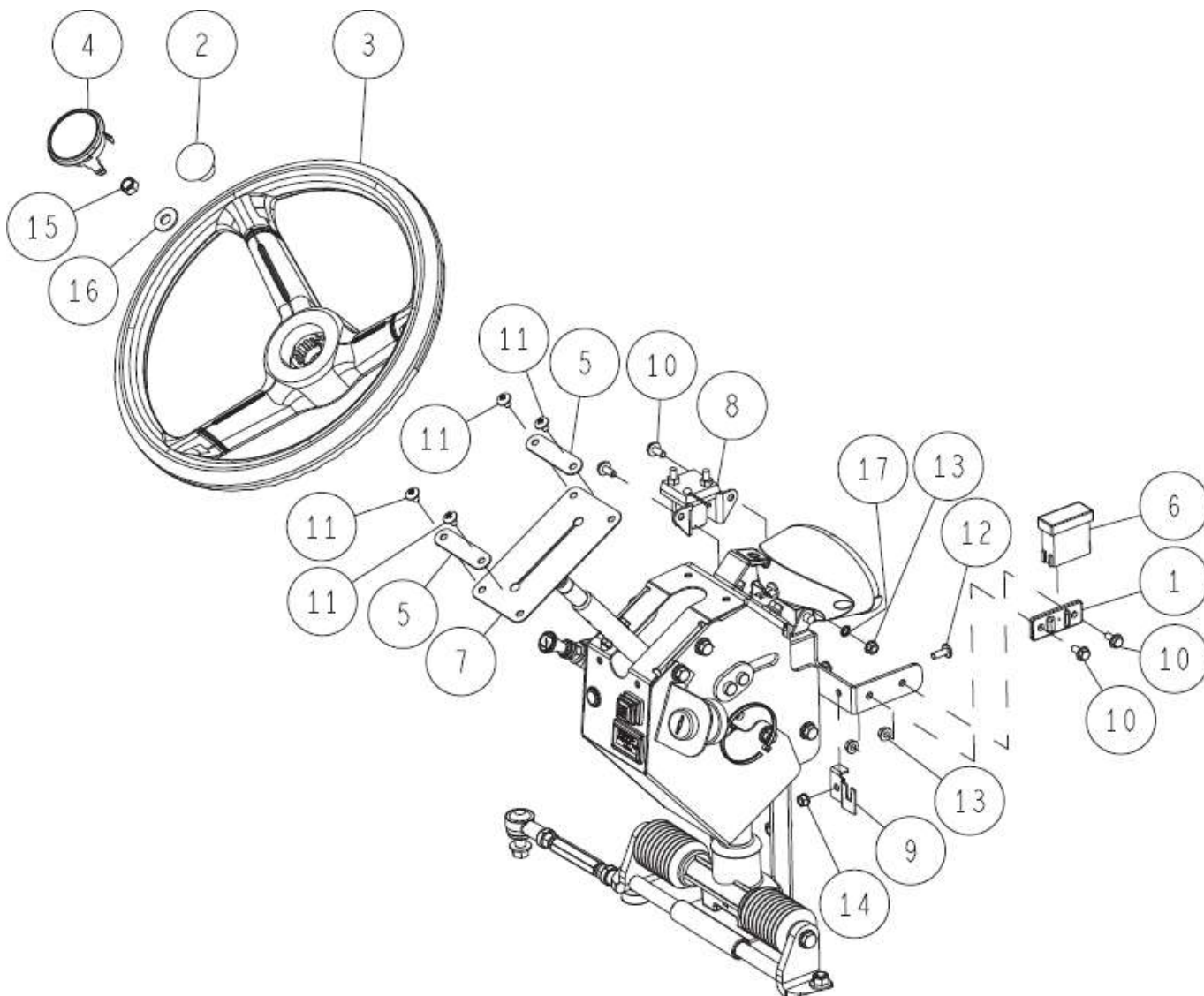


1	80-1415-150-00	Axle Pin	1	1	
2	80-1425-143-00	Differential Lock Cone	1	1	
3	80-1481-151-00	Differential Lock Plate	1	1	
4	80-1481-152-00	Differential Lock Gear 11T	4	4	
5	80-1481-155-00	Differential Gear Shaft Collar	4	4	
6	80-1751-162-00	Differential Lock Spring	1	1	
7	0207-02220	Axle (R) CMP	1	1	
8	0207-02120	Axle(L) CMP	1	1	
9	0244-00300	Axle Gear 39T CMP	1	1	
10	83-1830-382-00	Thrust Washer 40*48*1.0	1	1	
11	89-1613-100042	Mini Hexagonal Nut (3 sorts) M10	6	6	
12	89-1750-100002	Spring Washer 10	6	6	
13	89-2511-000280	Snap Ring (S28)	1	1	
14	89-2511-000400	Snap Ring (S40)	1	1	
15	89-3410-075000	Steel Ball 7.5	3	3	
16	89-3510-028300	DU Bush 28.30	1	1	
No.	Parts Number	Parts Name	RMK151/X Q'ty	RMK150A Q'ty	Remarks

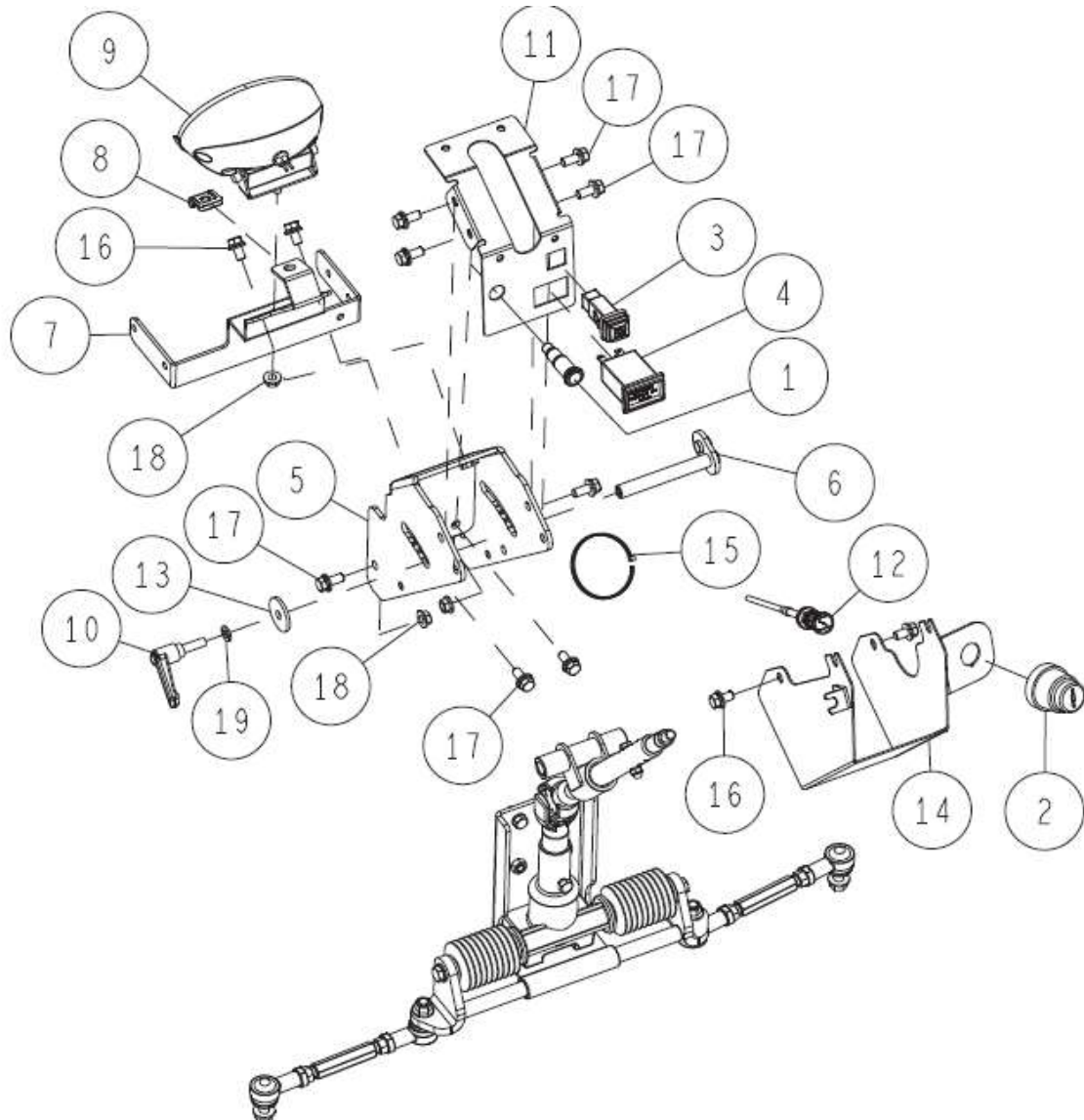


1	-	HSTUnit	1	1	※Refer. P16
2	0207-07700	Port Joint	1	1	
3	0207-08610	HST Oil Tank (without Tank Cap)	1	1	
4	0207-79800	Push Clip	1	1	
5	0227-74200	Wire Band 300	1	1	
6	0244-72700	HST Oil Hose	1	1	
7	0289-71200	Waterproof Packing	1	1	
8	0312-01800	HST Oil Tank Cap (Black)	1	1	
9	0312-74400	Hose Band 16-25	2	2	
10	0322-71600	Moisture Adsorption Sheet	1	1	
11	0348-0010H	Control Arm CMP (Metallic Grey)	1	1	
12	0348-00201	HST Oil Tank Setting CMP (White)	1	1	
13	89-1113-060122	Hexagonal Bolt (8T) M6*12	1	1	
14	89-1511-060042	Hexagonal Nut M6	1	1	
15	89-1543-080002	Mini Hexagonal Nut (SW) M8	1	1	
16	89-2151-050160	Key 5*16 (half round)	1	1	
17	89-5222-045000	O Ring G45	2	2	
-	0322-01600	HST Oil Tank Assy (Black Cap)	1	1	3、7、8
No.	Parts Number	Parts Name	RMK151/X	RMK150A	Remarks
			Q'ty		

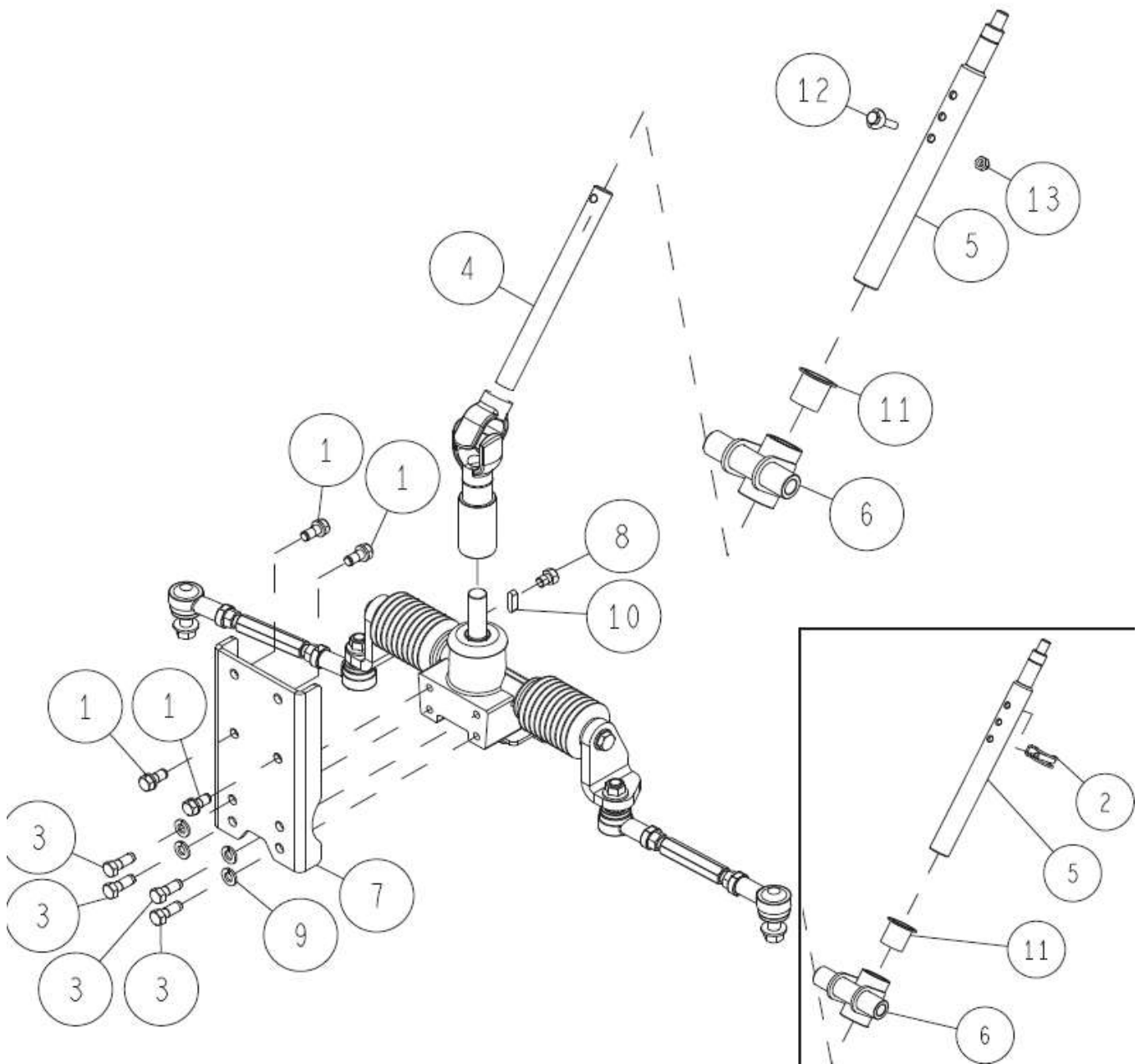
24/63 Handle Part 1/4



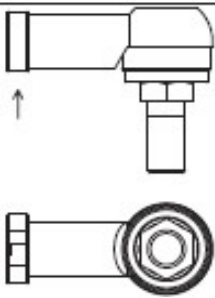
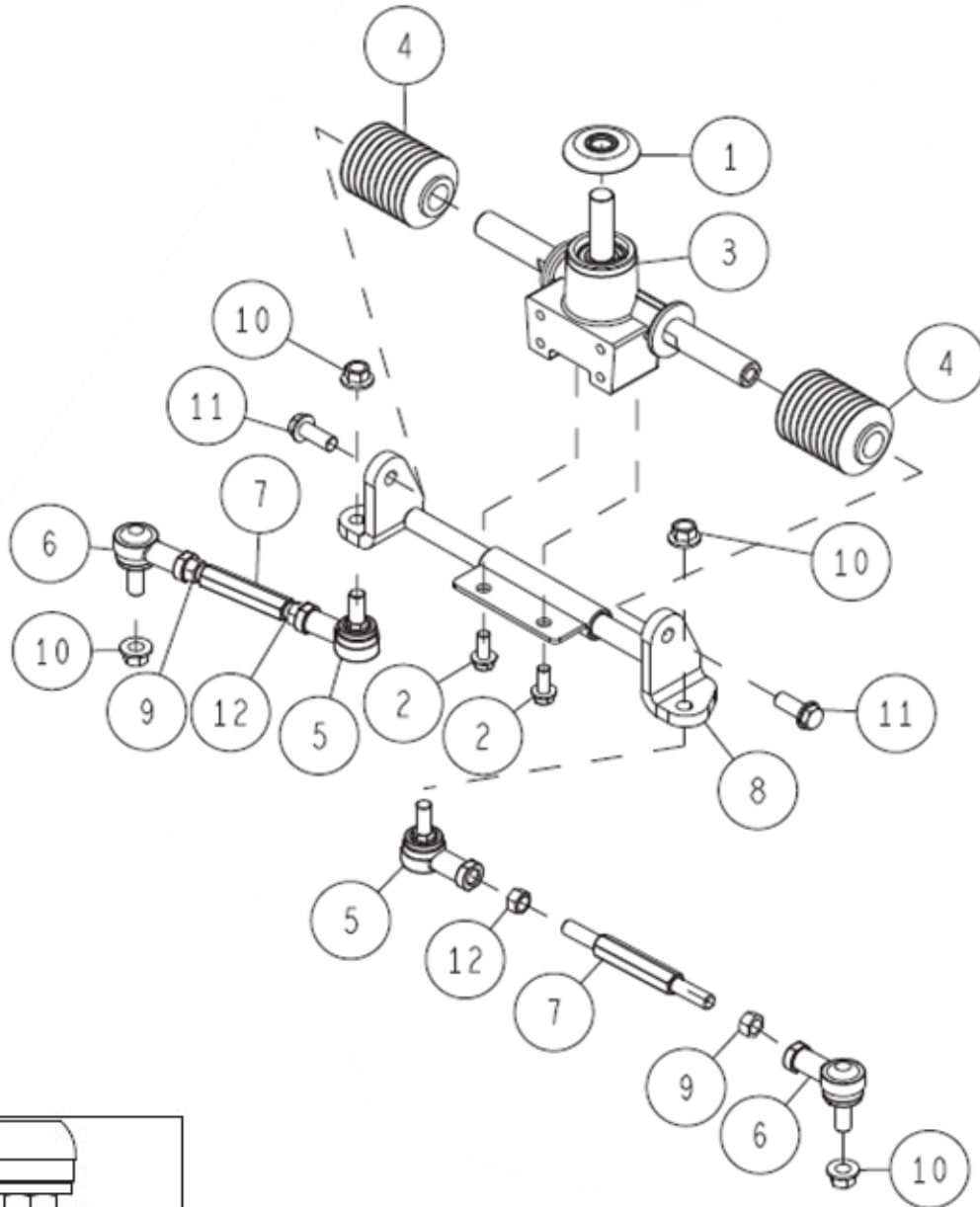
1	0207-79200	Fuse Box Bracket	1	1	
2	0262-70300	Sub Handle Assy	1	1	
3	0262-70400	Steering Wheel	1	1	
4	0262-70500	Steering Cap	1	1	
5	0312-11701	Handle Stay Cover Holder (White)	2	2	
6	0312-77900	Fuse Box Cover	1	1	※蓋のみ
7	0322-11500	Meter Panel Cover	1	1	白色ゴム
8	0322-73000	Magnet Switch Set	1	1	
9	0348-14700	Fuse Box Bracket	1	1	
10	89-1137-060152	Hexagonal Bolt (PW) M6*15	5	5	
11	89-1159-060108	Truss Mini Screw M6*10	4	4	
12	89-1390-060162	Welded Bolt M6*16	1	1	
13	89-1531-060042	Flange Nut M6	5	5	
14	89-1541-060002	Hexagonal Nut (SW) M6	1	1	
15	89-1561-100002	Mini Hexagonal U Nut M10	1	1	
16	89-1713-100002	Flat Washer 10 (large)	1	1	
17	89-1812-060002	Toothed washer (inside) 6	1	1	
-	0262-70100	Steering Wheel Assy	1	1	2、3、4
No.	Parts Number	Parts Name	RMK151/X Q'ty	RMK150A Q'ty	Remarks



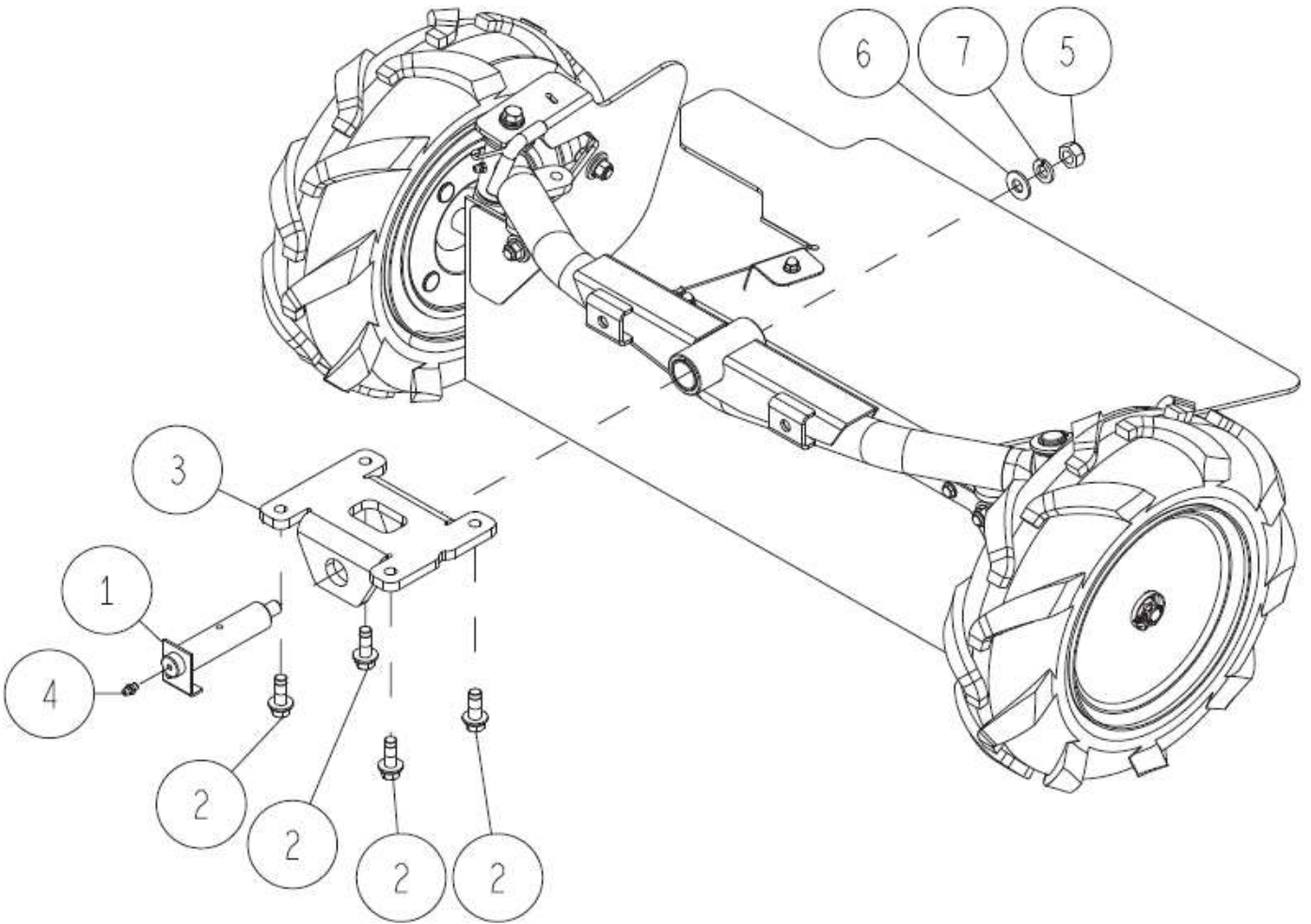
1	0207-79300	Pilot Lamp	1	1	
2	0207-79700	Key Switch (NMA03-A020)	1	1	
3	0244-70300	Lighting Switch	1	1	
4	0244-73600	Hour Meter	1	1	
5	0322-10511	Handle Stay CMP (White)	1	1	
6	0322-11100	Tilt Pin CMP	1	1	
7	0322-11701	Head Lamp Stay (White)	1	1	
8	0322-71100	Clip $\phi$ 6	1	1	
9	0322-71300	Head Lamp	1	1	
10	0322-71400	Cramp Lever 8*25	1	1	
11	0341-1410G	Meter Panel CMP (Green)	1		OR
	0341-1410H	Meter Panel CMP (Metallic Grey)	1		IA
	0341-1410I	Meter Panel CMP (White)		1	
12	0341-71100	Choke Wire	1	1	
13	0348-10700	Flat Washer 9*35*3.2	1	1	
14	0348-14201	Harness Panel CMP (White)	1	1	
15	83-1711-719-00	Wire Band 200L	1	1	
16	89-1233-080162	Mini Hexagonal Bolt (PWSW) M8*16	4	4	
17	89-1233-080202	Mini Hexagonal Bolt (PWSW) M8*20	8	8	
18	89-1631-080042	Flange Mini Hexagonal Nut M8	3	3	
19	89-1750-080002	Spring Washer 8	1	1	
No.	Parts Number	Parts Name	RMK151/X	RMK150A	Remarks
			Q'ty		



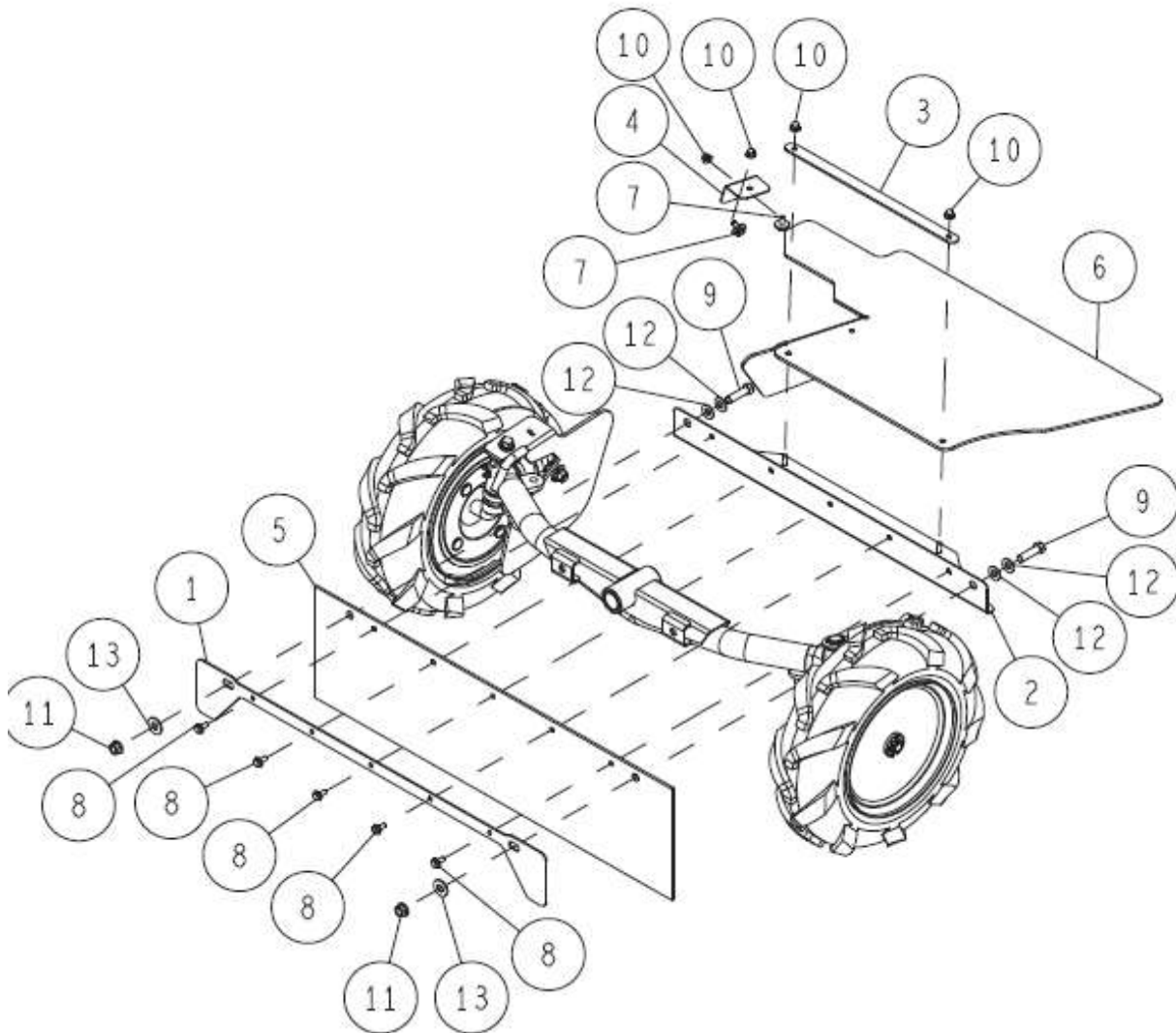
1	0245-74310	Hexagonal Bolt(SW) M8*18 7T (Meck)	4	4	
	0245-74330	Hexagonal Bolt(SW) M8*18 7T (Meck)	4	4	
2	0312-74000	Handle Height Pipe Pin Assy		1	※Supply stop
3	0314-70100	Mini Hexagonal Bolt (Meck) M8*22	4	4	
4	0322-10110	Steering Joint Shaft CMP	1	1	
5	0322-10210	Steering Upper Shaft CMP	1	1	
6	0322-10701	Handle Support CMP (White)	1	1	
7	0322-1080H	Steering Gear Box Bracket CMP (Metallic Grey)	1	1	
8	0322-11610	Mini Hexagonal Bolt (7T) M8*10 (Meck)	1	1	
9	89-1750-080002	Spring Washer 8	4	4	
10	89-2150-050200	Key 5*20 (round)	1	1	
11	89-3511-022250	DU Bush 22.25.33F	1	1	
12	0244-75800	Bolt for Upper Shaft Setting	1	(1)	
13	89-1553-060002	Bag Hexagonal U Nut M6	1	(1)	
-	0342-77600	Handle Height Pipe Bolt Set	1	(1)	7, 8
No.	Parts Number	Parts Name	RMK151/X	RMK150A	Remarks
			Q'ty		



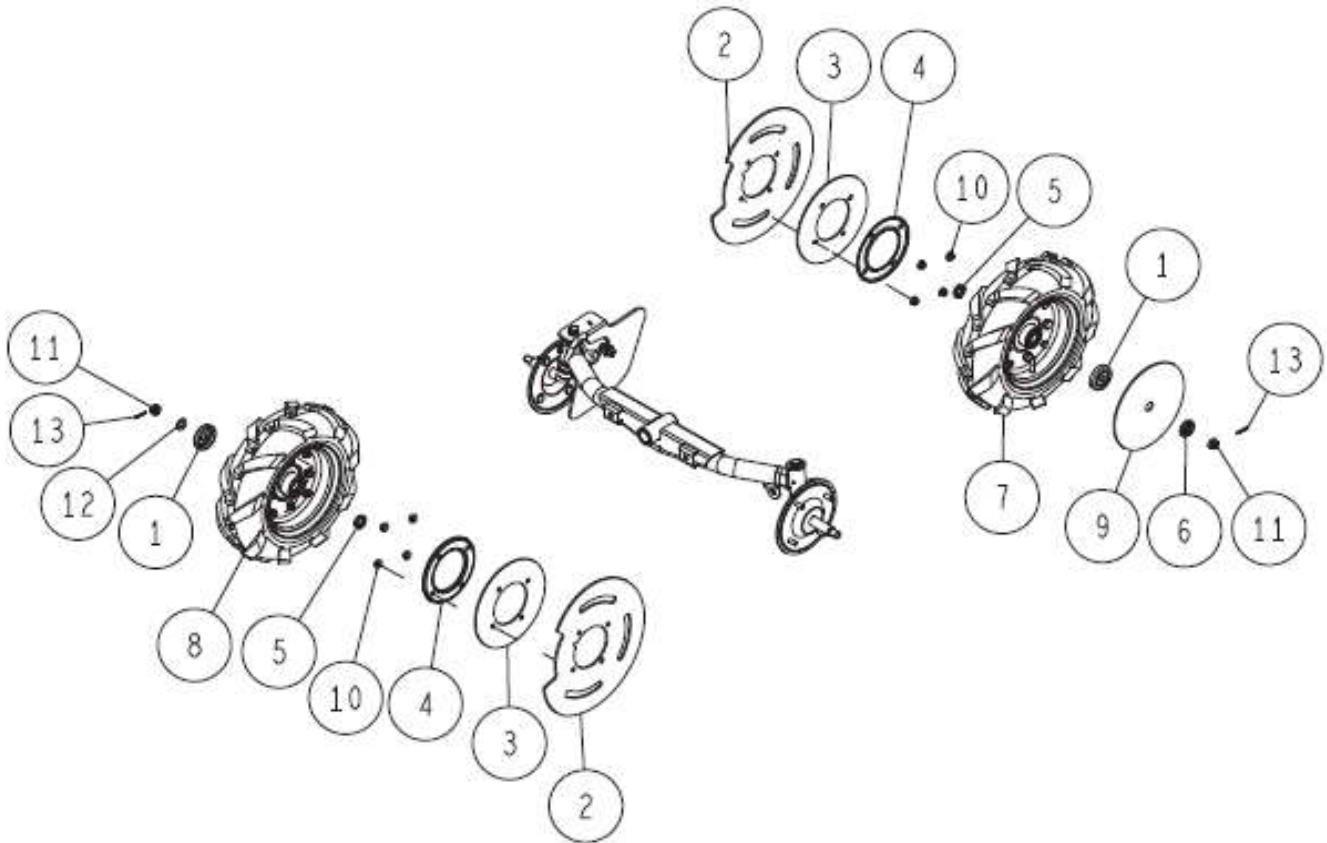
1	80-1016-461-00	Bearing Cover	1	1	
2	80-1020-719-00	Hexagonal Tap Tight M8*18	2	2	
3	80-1484-962-10	Steering Gear Box Assy	1	1	
4	80-1490-967-00	Steering Boots	2	2	
5	80-1493-962-00	Link Ball LHSA 10DE21	2	2	
6	80-1493-963-00	Link Ball LHSA 10DLE21	2	2	
7	0207-13100	Tie Rod Adjuster	2	2	
8	0322-1060H	Rack Support (RM881) (Metallic Grey)	1	1	
9	83-1493-195-00	Hexagonal Nut (slender) M10 Left	2	2	
10	83-1493-255-00	Flange Lock Nut M10 (slender)	4	4	
11	89-1254-100252	Flange Mini Hexagonal Bolt M10*25 P=1.25	2	2	
12	89-1612-100042	Mini Hexagonal Nut (Slender) M10	2	2	
-	0207-13000	Tie Rod Adjuster Assy	2	2	5、6、7、9、12
No.	Parts Number	Parts Name	RMK151/X	RMK150A	Remarks
			Q'ty		



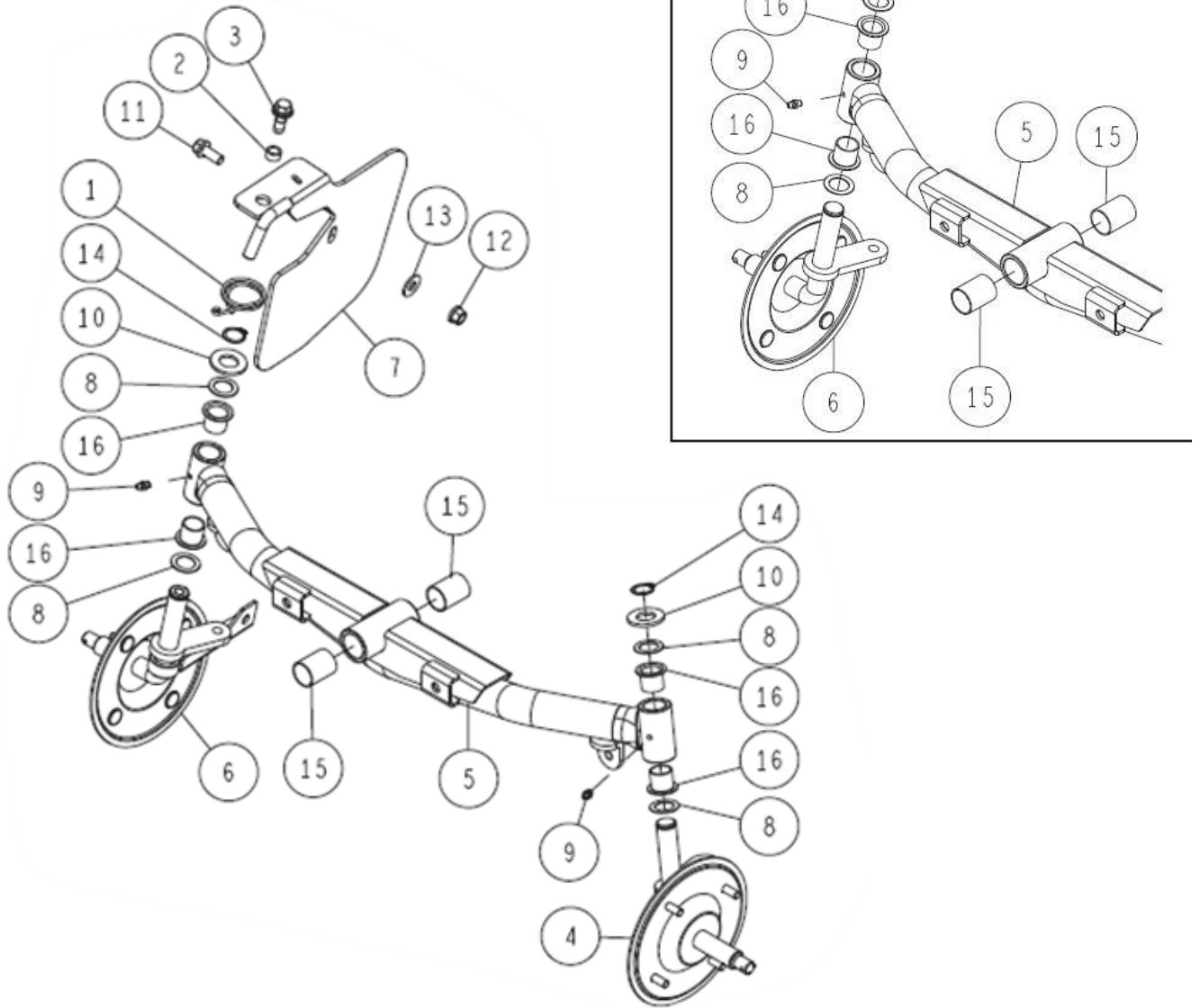
1	0207-30700	Center Pin	1	1	
2	0312-74310	Hexagonal Bolt (7T-SW.PW) M10*30 (Meck)	4	4	
3	0322-3030H	Front Axle Holder (Metallic Grey)	1	1	
4	83-1415-975-00	Grease Nipple M6	1	1	
5	89-1551-120002	Hexagonal U Nut M12	1	1	
6	83-1481-328-00	Washer 12*30*3.2	1	1	
7	89-1750-120002	Spring Washer 12	1	1	
No.	Parts Number	Parts Name	RMK151/X	RMK150A	Remarks
			Q'ty		



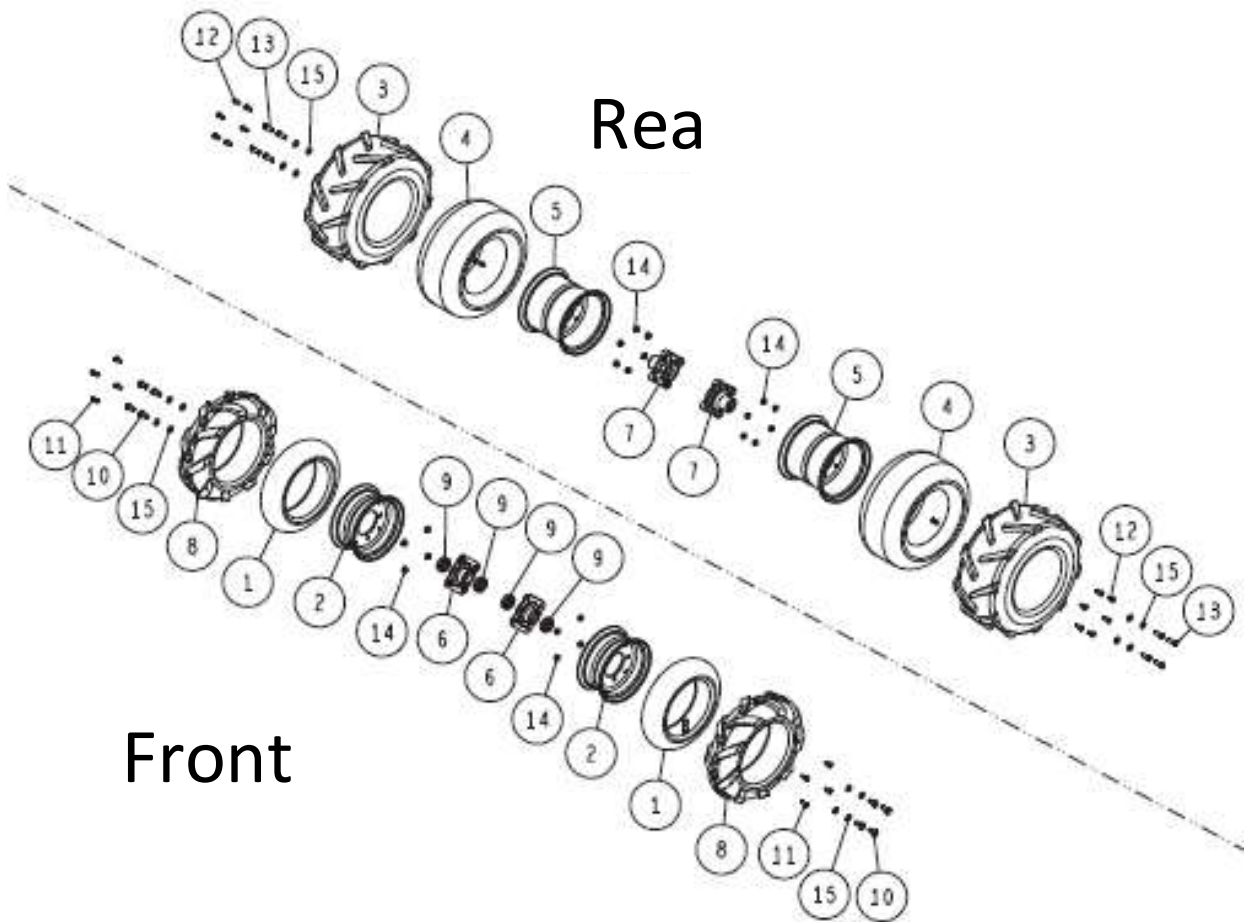
1	0312-3350H	Front Flapper Holder (Metallic Grey)	1	1	
2	0322-3110H	Front Upper Guard CMP (Metallic Grey)	1	1	
3	0322-3130H	Upper Flapper Holder (Metallic Grey)	1	1	
4	0322-31500	Upper Flapper Holder (R)	1	1	
5	0329-33400	Front Flapper (RMK150)	1	1	
6	0341-30100	Upper Flapper	1	1	
7	83-1565-111-00	Hexagonal Bolt (with Big Washer) M6*16	2	2	
8	89-1137-060152	Hexagonal Bolt (PW) M6*15	5	5	
9	89-1213-100357	Mini Hexagonal Bolt (8T) M10*35	2	2	
10	89-1581-060042	Flange Cap Nut M6	4	4	
11	89-1631-100042	Flange Mini Hexagonal Nut M10	2	2	
12	89-1712-100002	Flat Washer 10*21*2.1	4	4	
13	89-1713-100002	Flat Washer 10 (large)	2	2	
No.	Parts Number	Parts Name	RMK151/X	RMK150A	Remarks
			Q'ty		



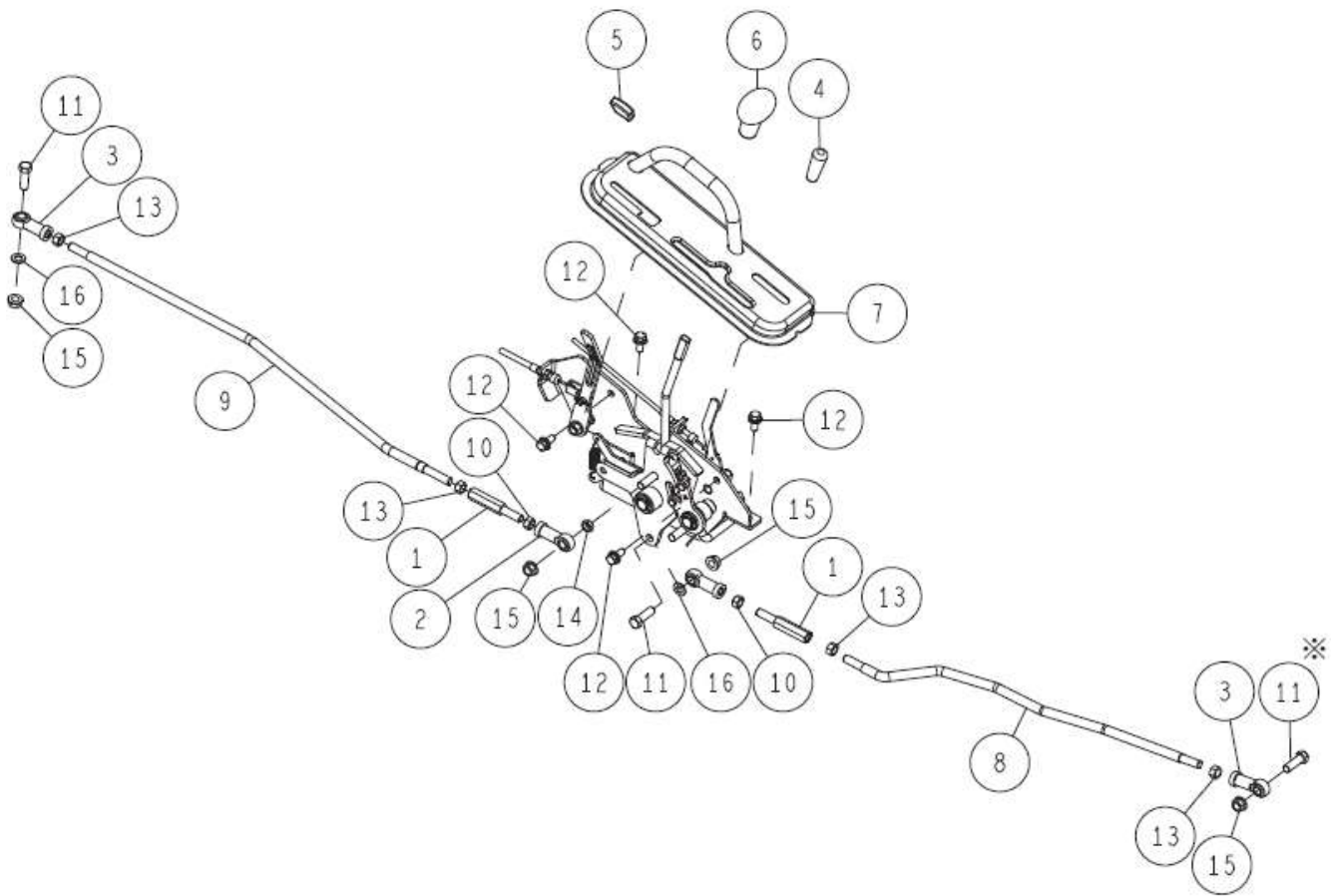
1	0207-30500	Front Wheel Dust Cover	2	2	
2	0207-30600	Front Wheel Rubber Cover	2	2	
3	0207-30800	Front Wheel Rubber Cover (IN) for 7inch	2	2	
4	0207-30900	Front Wheel Rubber Cover Support	2	2	
5	0207-31100	King Pin Collar	2	2	
6	0309-00600	Dust Cover for Main Shaft	1	1	
7	0322-32000	Front Tire (L) ASSY (3.50-7 TA) (Include Wheel Boss)	1	1	Details P32
8	0322-33000	Front Tire (R) ASSY (3.50-7 TA) (Include Wheel Boss)	1	1	Details P32
9	0349-31800	Front Wheel Rubber Cover (OUT)	1	1	
10	89-1631-080042	Flange Mini Hexagonal Nut M8	8	8	
11	89-1668-140042	Mini Low Fluted Nut (2 sorts) M14	2	2	
12	89-1750-140002	Spring Washer 14	1	1	
13	89-2120-250252	Split Pin 2.5*25	2	2	
No.	Parts Number	Parts Name	RMK151/X	RMK150A	Remarks
			Q'ty		



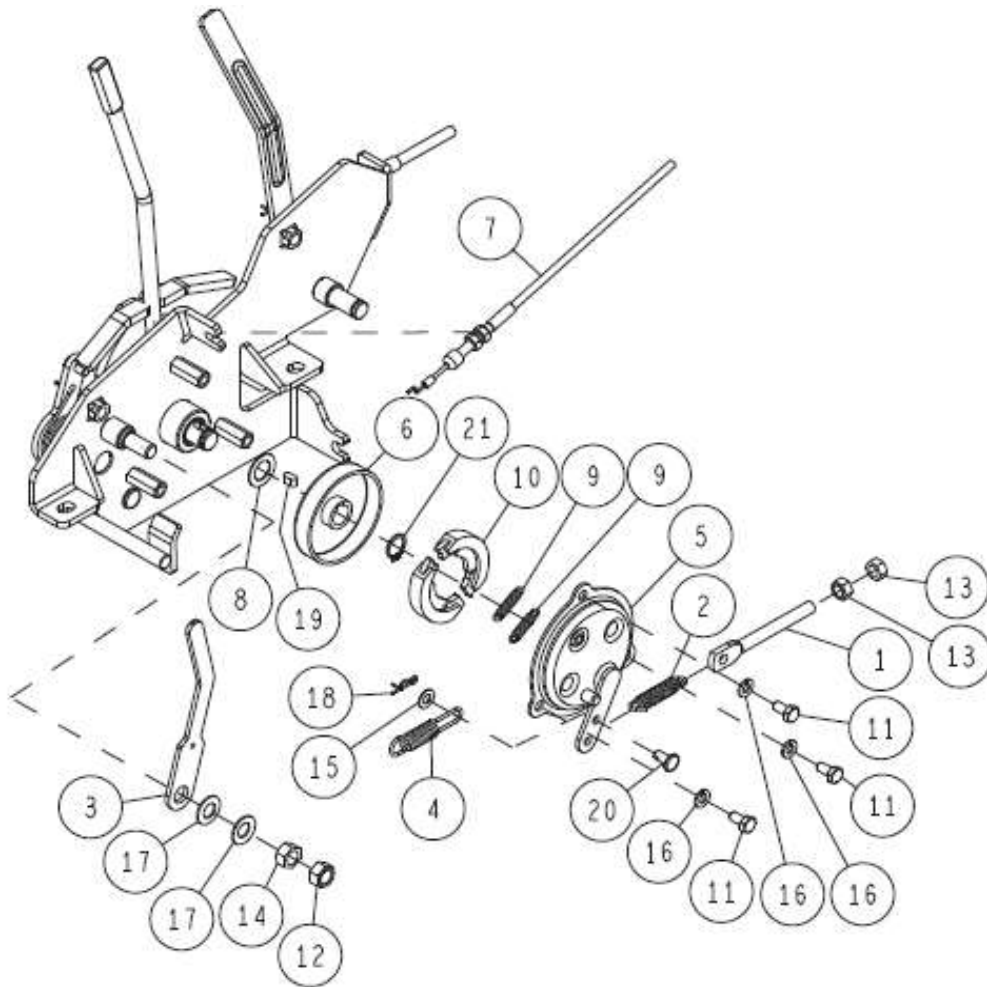
1	0259-30500	Protector Return Spring	1	1	BWAGL00109~(RMK150A)
2	0259-30600	Protector Collar	1	1	BWAGL00109~(RMK150A)
3	0312-74310	Hexagonal Bolt (7T-SW.PW) M10*30 (Meck)	1	1	BWAGL00109~(RMK150A)
4	0322-3020H	King Pin (L) CMP (Metallic Grey)	1	1	
5	0329-3210H	Front Axle CMP (RMK150) (Metallic Grey)	1	1	
6	0341-3110H	King Pin (R) CMP (Metallic Grey)	1	1	BWAGL00109~(RMK150A)
	0322-3010H	King Pin (R) CMP (Metallic Grey)	1	1	~BWAGL00108(RMK150A)
7	0341-3120H	Protector CMP (Metallic Grey)	1	1	BWAGL00109~(RMK150A)
8	83-1310-371-00	Thrust Washer 20*30*1.0	4	4	
9	83-1415-975-00	Grease Nipple M6	2	2	
10	83-1490-337-00	Washer 20*38*3.2	2	2	
11	89-1232-100252	Mini Hexagonal Bolt (SW) M10*25	1	1	BWAGL00109~(RMK150A)
12	89-1543-100002	Mini Hexagonal Nut (SW) M10	1	1	BWAGL00109~(RMK150A)
13	89-1713-100002	Flat Washer 10 (large)	1	1	BWAGL00109~(RMK150A)
14	89-2511-000200	Snap Ring (S20)	2	2	
15	89-3510-025350	DU Bush 25.35	2	2	
16	89-3511-020200	DU Bush 20.20.31F	4	4	
No.	Parts Number	Parts Name	RMK151/X	RMK150A	Remarks
			Q'ty		



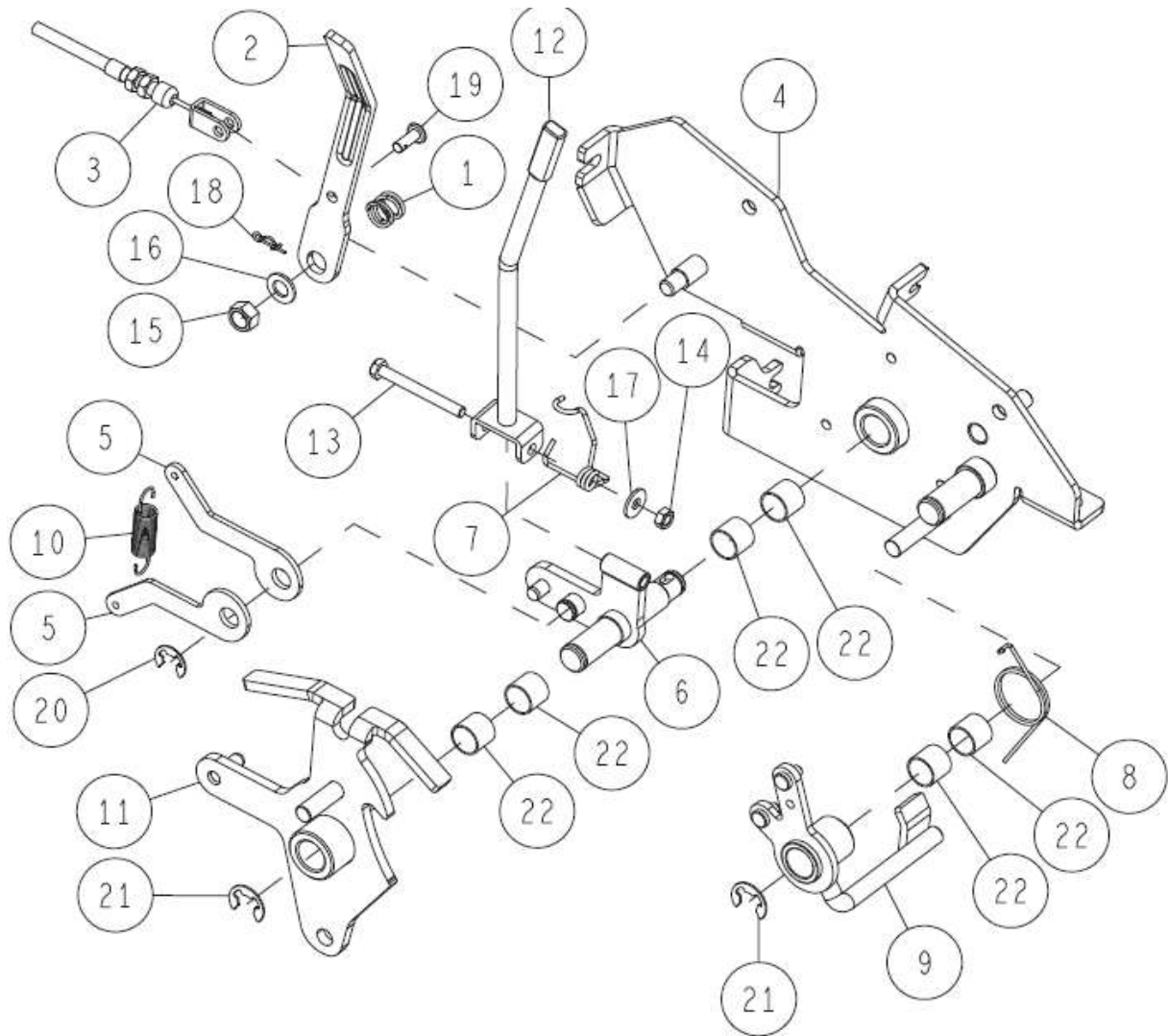
1	80-1260-404-00	Tire Tube (3.50/4.00-7)	2	2	
2	80-1260-407-00	Wheel Assy 3.50-7	2	2	
3	80-1751-401-00	Tire 16*700*8	2	2	
4	80-1751-404-00	Tire Tube 16*700*8	2	2	
5	80-1751-407-00	Wheel Assy 16*700*8	2	2	
6	0207-30411	Front Wheel Boss CMP (White)	2	2	
7	0207-31201	Rear Wheel Boss (White)	2	2	
8	0322-32100	Tire 3.50-7 (TA)	2	2	
9	0342-77700	Bearing 6004 2NSE-NB	4	4	
10	89-1113-100202	Hexagonal Bolt (8T) M10*20	8	8	
11	89-1211-080162	Mini Hexagonal Bolt M8*16	8	8	
12	89-1213-080162	Mini Hexagonal Bolt (8T) M8*16	12	12	
13	89-1213-100252	Mini Hexagonal Bolt (8T) M10*25	8	8	
14	89-1543-080002	Mini Hexagonal Nut (SW) M8	20	20	
15	89-1750-100002	Spring Washer 10	16	16	
-	0322-35000	Tire Assy (R) 3.50-7 (TA)	1	1	1、2、8、11、14
-	0322-34000	Tire Assy (L) 3.50-7 (TA)	1	1	1、2、8、11、14
-	80-1751-412-00	Tire (R) Assy (16*7.00-8)	1	1	3、4、5、12、14
-	80-1751-411-00	Tire (L) Assy (16*7.00-8)	1	1	3、4、5、12、14
No.	Parts Number	Parts Name	RMK151/X	RMK150A	Remarks
			Q'ty		



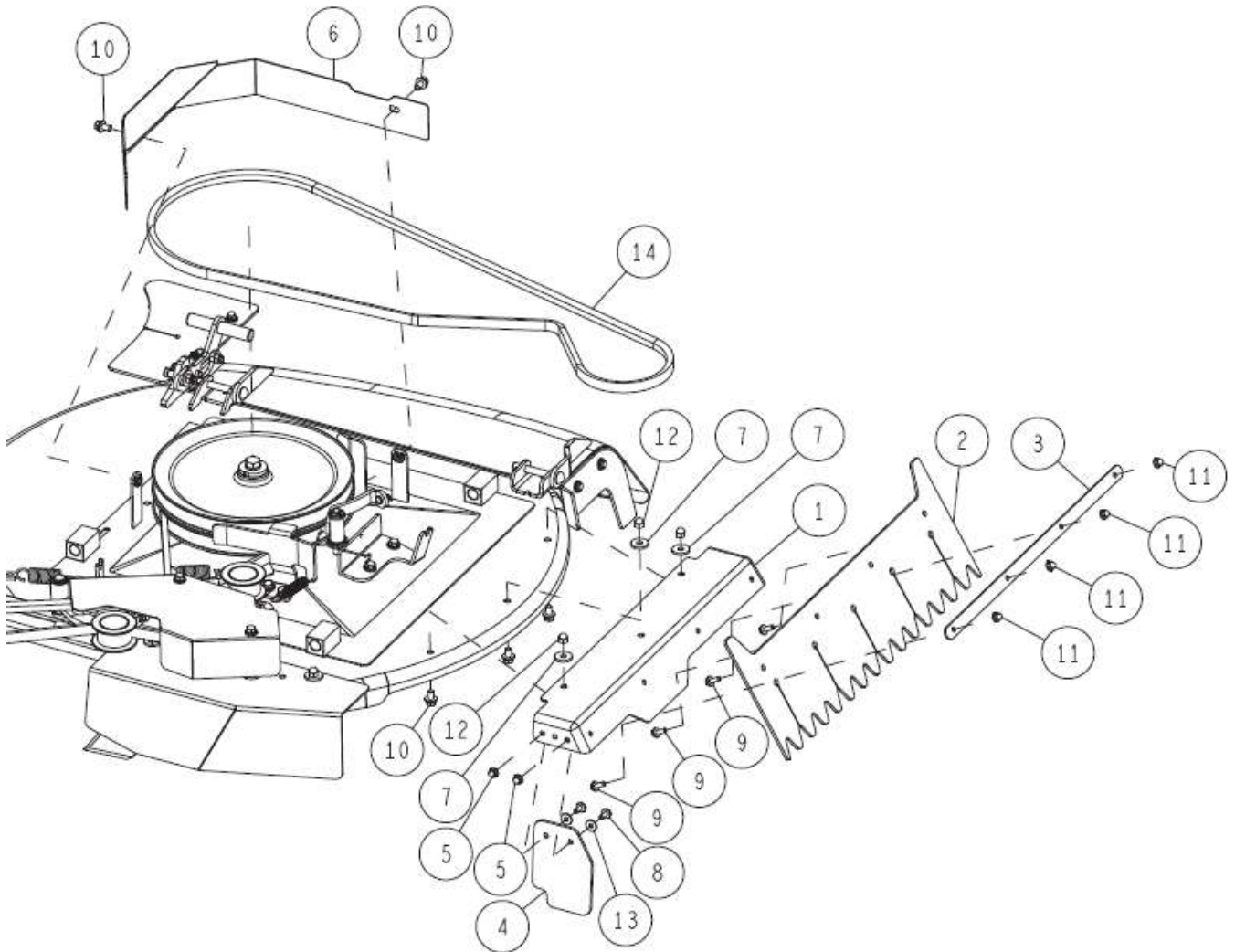
1	80-1485-265-00	Shift Rod Adjuster	2	2	
2	80-1487-962-10	Rod End PHS10ECL	2	2	
3	80-1487-964-10	Rod End PHS10EC	2	2	
4	0207-72600	Lever Grip 8 (Black)	1	1	
	0317-71700	Lever Grip 8 (Black)	1	1	
5	0215-70600	Lever Grip (Red)	1	1	
6	0221-13200	Change Grip	1	1	
7	0341-10201	Control Guide CMP (White)	1		IA
	0341-1020G	Control Guide CMP (Green)	1		OR
	0341-10206	Control Guide CMP (Blue)		1	IA
	0341-10205	Control Guide CMP (Yellow Green)		1	OR
8	0341-11110	Change Pedal Rod	1	1	BWAGL00109~(RMK150A)
	0341-11100	Change Pedal Rod	1	1	~BWAGL00108(RMK150A)
	0341-12000	Change Pedal Rod	1	1	~BWAGL00108(RMK150A)
9	0348-11100	Shift Rod	1	1	
10	83-1488-195-02	Mini Hexagonal Nut M10 (L)	2	2	
11	89-1213-100302	Mini Hexagonal Bolt (8T) M10*30	3		BYBZM00141~Unnecessary
	89-1213-100302	Mini Hexagonal Bolt (8T) M10*30		3	
12	89-1233-080202	Mini Hexagonal Bolt (PWSW) M8*20	4	4	
13	89-1611-100042	Mini Hexagonal Nut M10	4	4	
14	89-1613-100042	Mini Hexagonal Nut (3 sorts) M10	1	1	
15	89-1631-100042	Flange Mini Hexagonal Nut M10	4	4	
16	89-1711-100002	Flat Washer 10*18*1.6	2	2	
-	0341-11010	Change Pedal Rod Assy	1	1	1, 2, 3, 8, 10, 13 BWAGL00109~(RMK150A)
-	0341-11000	Change Pedal Rod Assy	1	1	1, 2, 3, 8, 10, 13 ~BWAGL00108(RMK150A)
-	0341-12000	Change Pedal Rod Assy	1	1	1, 2, 3, 8, 10, 13 ~BWAGL00108(RMK150A)
-	0312-16000	Shift Rod Assy	1	1	1, 2, 3, 9, 10, 13
No.	Parts Number	Parts Name	RMK151/X	RMK150A	Remarks
			Q'ty		



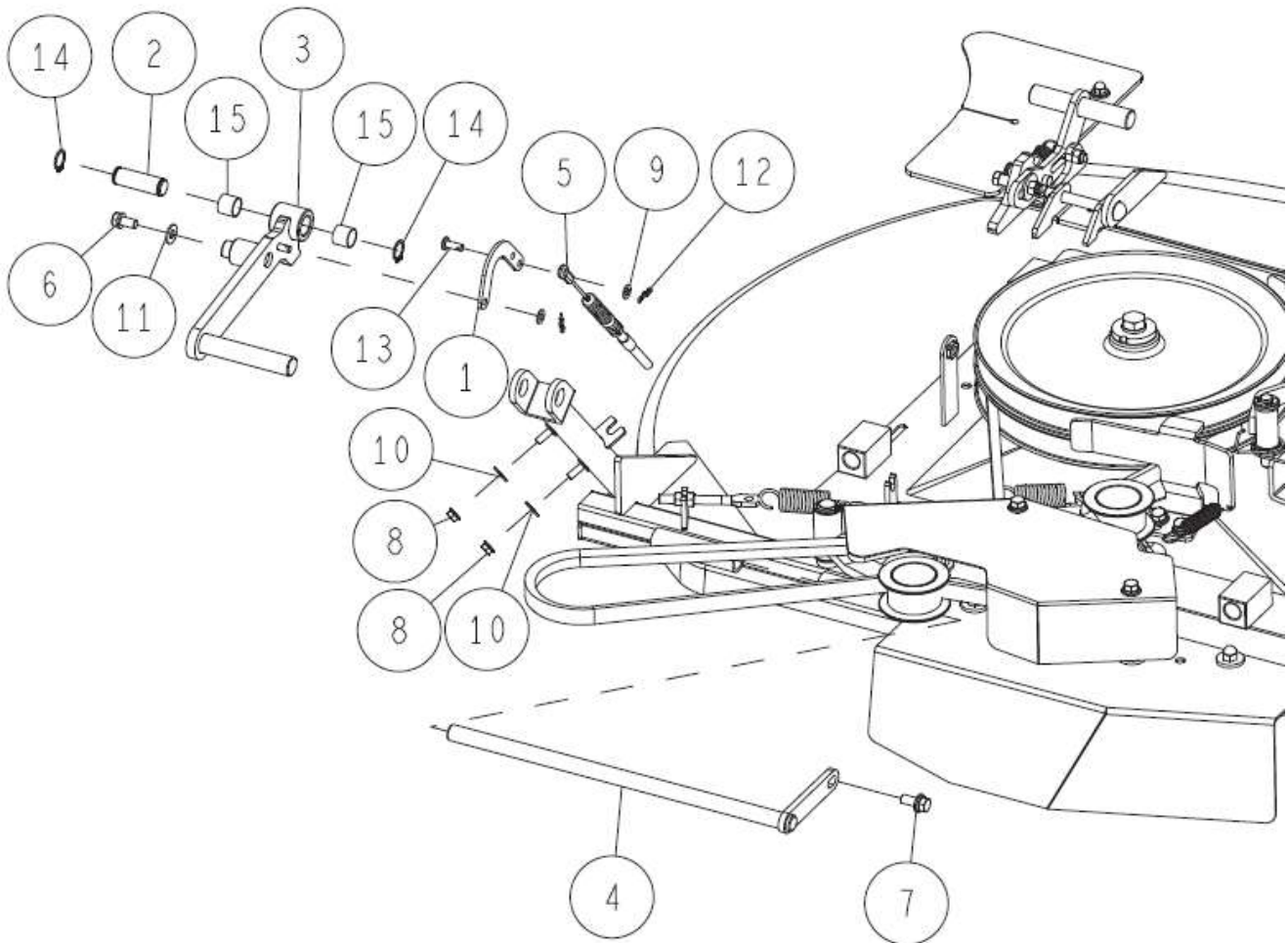
1	0207-72300	Change Brake Adjuster	1	1	
2	0225-11800	Spring, Change Brake	1	1	
3	0312-12900	Throttle Lever	1	1	
4	0312-14200	Spring for Brake Pulling	1	1	
5	0312-17100	Brake Cover	1	1	
6	0312-17200	Brake Drum	1	1	
7	0322-75400	Throttle Wire	1	1	
8	83-1675-375-00	Thrust Washer 14*23*1.0	1	1	
9	85-1711-317-00	Shoe Return Spring	2	2	
10	85-1711-318-00	Brake Shoe Set	1	1	
11	89-1113-060122	Hexagonal Bolt (8T) M6*12	3	3	
12	89-1561-100002	Mini Hexagonal U Nut M10	1	1	
13	89-1611-080042	Mini Hexagonal Nut M8	2	2	
14	89-1611-100042	Mini Hexagonal Nut M10	1	1	
15	89-1711-060002	Flat Washer 6	1	1	
16	89-1750-060002	Spring Washer 6	3	3	
17	89-1852-100000	Belleville Spring H10	2	2	
18	89-2132-060002	Snap Pin 6 (with stopper)	1	1	
19	89-2150-050100	Key 5*10 (round)	1	1	
20	89-2181-060122	Flat Head Pin 6*12	1	1	
21	89-2511-000140	Snap Ring (S14)	1	1	
-	0312-17010	Change Brake Assy	1	1	5、6、9、10
No.	Parts Number	Parts Name	RMK151/X	RMK150A	Remarks
			Q'ty		



1	80-1020-263-00	Control Lever Shaft Spring	1	1	
2	0244-13200	Differential Lock Lever CMP	1	1	
3	0244-72410	Differential Lock Wire (SUS)	1	1	
4	0312-1210H	Change Bracket CMP (Metallic Grey)	1	1	
5	0312-1231H	Neutral Arm (Metallic Grey)	2	2	
6	0312-1242H	Change Lever Base CMP (Metallic Grey)	1	1	
7	0312-13700	Spring for Change Lever	1	1	
8	0312-13800	Spring for Change Return Arm	1	1	
9	0322-1240H	Change Return Arm CMP (Metallic Grey)	1	1	
10	0329-12500	Spring for Change Pedal	1	1	
11	0348-1010H	Change Lever Guide CMP (Metallic Grey)	1	1	
12	0348-10300	Change Lever CMP	1	1	
13	89-1113-060552	Hexagonal Bolt (8T) M6*55	1	1	
14	89-1551-060002	Hexagonal U Nut M6	1	1	
15	89-1561-100002	Mini Hexagonal U Nut M10	1	1	
16	89-1711-100002	Flat Washer 10*18*1.6	1	1	
17	89-1713-060002	Flat Washer 6 (large)	1	1	
18	89-2132-060002	Snap Pin 6 (with stopper)	1	1	
19	89-2181-060162	Flat Head Pin 6*16	1	1	
20	89-2521-000100	E Type Ring 10	1	1	
21	89-2521-000120	E Type Ring 12	2	2	
22	89-3510-016150	DU Bush 16.15	6	6	
No.	Parts Number	Parts Name	RMK151/X	RMK150A	Remarks
			Q'ty		

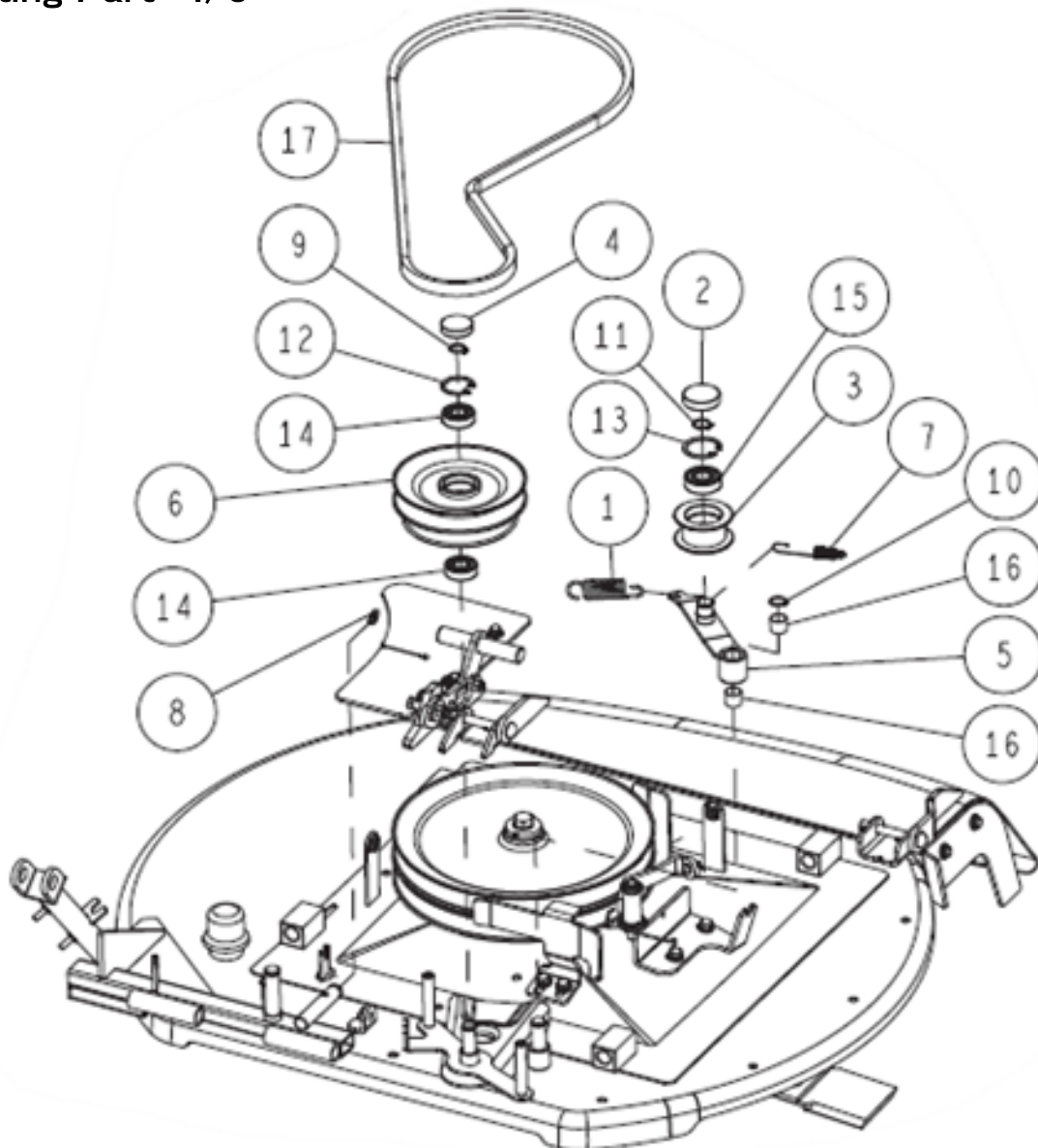


1	0244-6120H	Rear Guard (Metallic Grey)	1	1	
2	0244-61300	Rear Guard Flapper	1	1	
3	0244-6140H	Rear Guard Flapper Holder (Metallic Grey)	1	1	
4	0312-50700	Side Rear Flapper (L)	1	1	
5	0312-77500	Flange Cap Nut M6 (Meck)	2	2	
	0312-77510	Flange Cap Nut M6 (Meck)	2	2	
6	0329-6050H	Knife Belt Cover CMP (RMK150) (Metallic Grey)	1	1	
7	83-1751-312-00	Washer 8*25*3.2	3	3	
8	89-1137-060152	Hexagonal Bolt (PW) M6*15	2	2	
9	89-1137-060172	Hexagonal Bolt (PW) M6*17	4	4	
10	89-1233-080162	Mini Hexagonal Bolt (PWSW) M8*16	5	5	
11	89-1581-060042	Flange Cap Nut M6	4	4	
12	89-1671-080042	Mini Cap Nut M8	3	3	
13	89-1713-060002	Flat Washer 6 (large)	2	2	
14	89-6123-007702	V Belt SB-77 (W800)	1	1	
No.	Parts Number	Parts Name	RMK151/X	RMK150A	Remarks
			Q'ty		

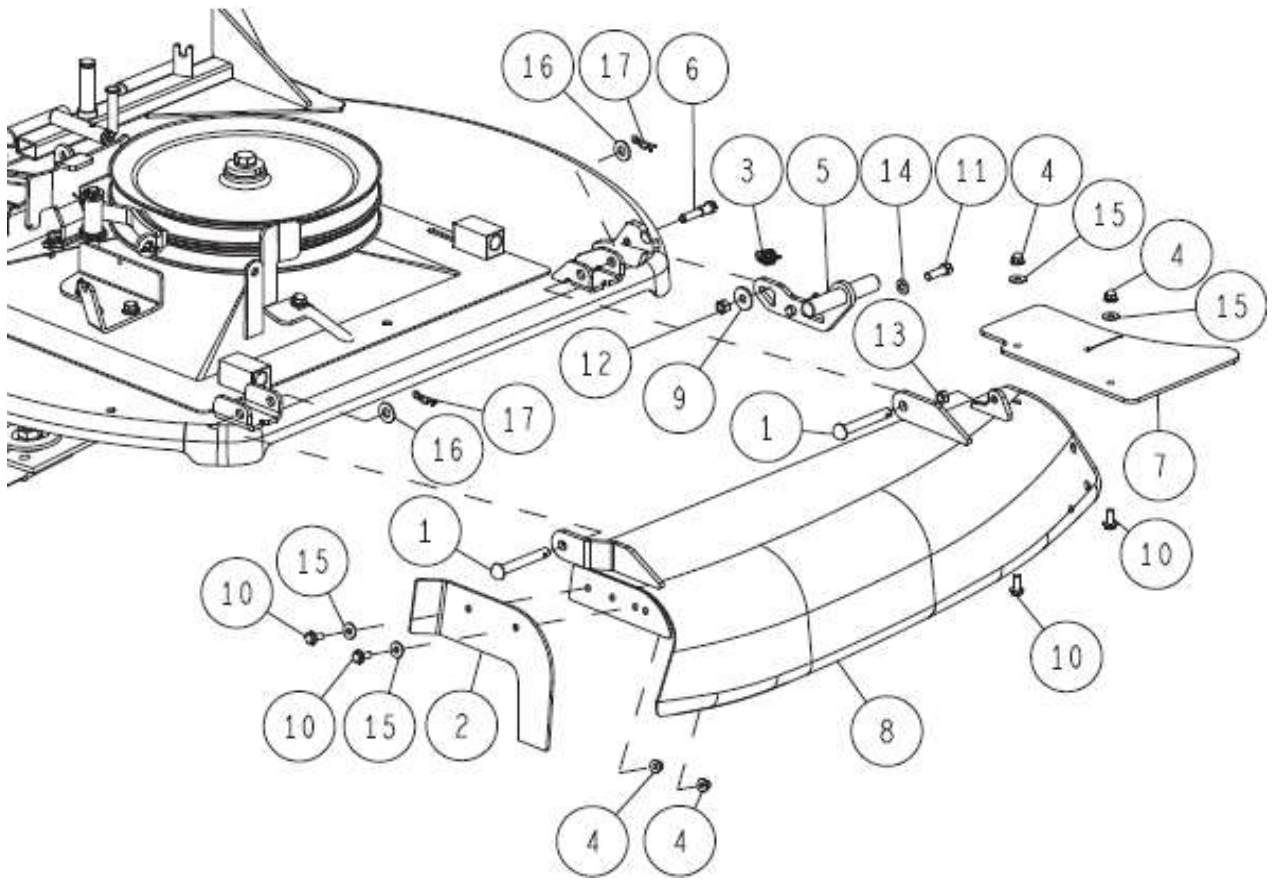


1	0223-11600	Wire Joint	1	1	
2	0303-53500	Hunger Pin	1	1	
3	0329-5320H	Connecting Hunger CMP (RMK150) (Metallic Grey)	1		(RMK150)
	0329-53203	Connecting Hunger CMP (RMK150) (Grey)		1	
4	0329-53400	Offset Connecting Pipe CMP (RMK150)	1	1	
5	0329-70900	Wire, Middle Tension (RMK150)	1	1	
6	89-1232-080162	Mini Hexagonal Bolt (SW) M8*16	1	1	
7	89-1233-080202	Mini Hexagonal Bolt (PWSW) M8*20	1	1	
8	89-1531-060042	Flange Nut M6	2	2	
9	89-1711-060002	Flat Washer 6	2	2	
10	89-1713-060002	Flat Washer 6 (large)	2	2	
11	89-1714-080002	Flat Washer 8	1	1	
12	89-2132-060002	Snap Pin 6 (with stopper)	2	2	
13	89-2181-060162	Flat Head Pin 6*16	1	1	
14	89-2511-000160	Snap Ring (S16)	2	2	
15	89-3510-016150	DU Bush 16.15	2	2	
No.	Parts Number	Parts Name	RMK151/X	RMK150A	Remarks
			Q'ty		

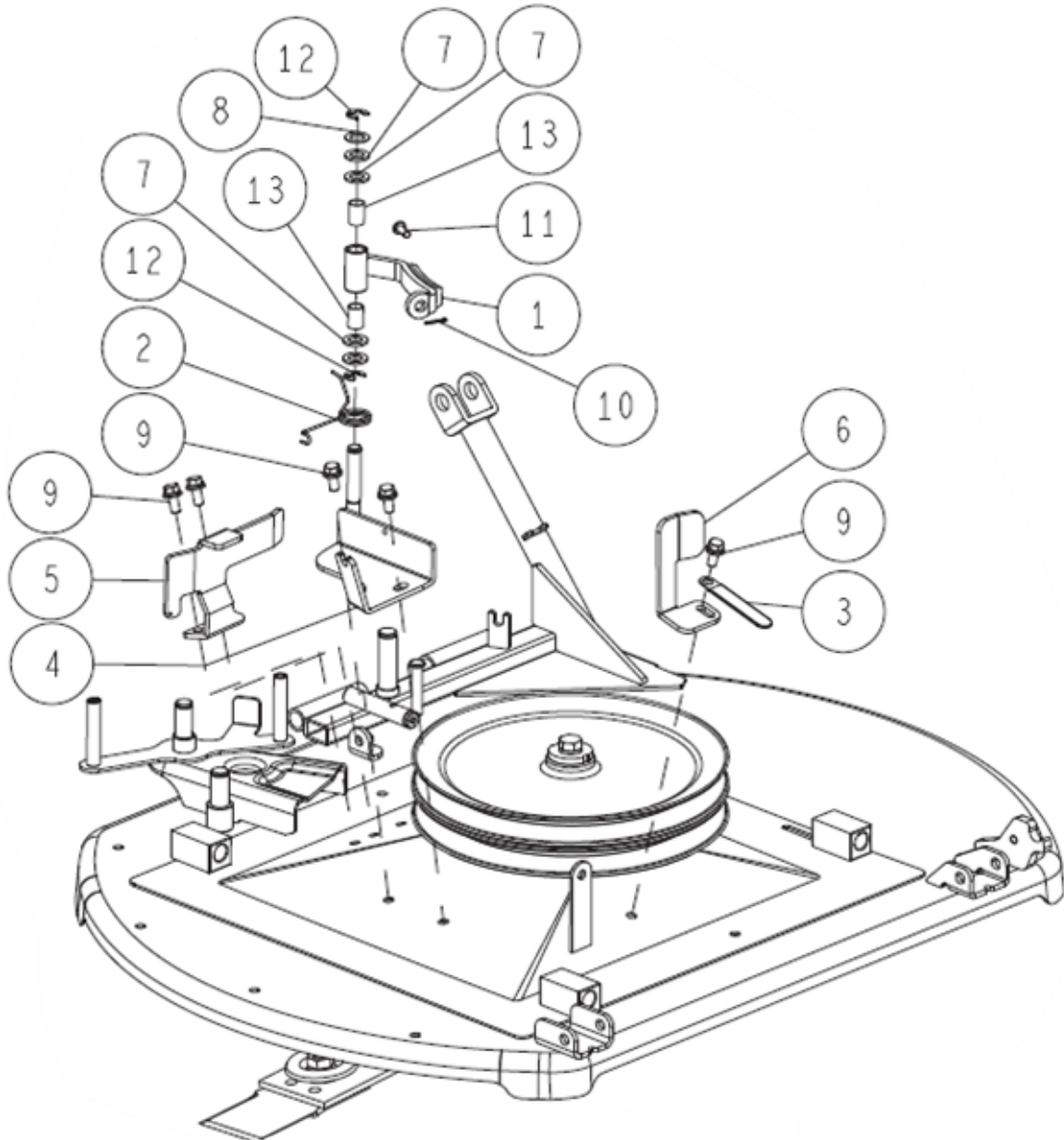




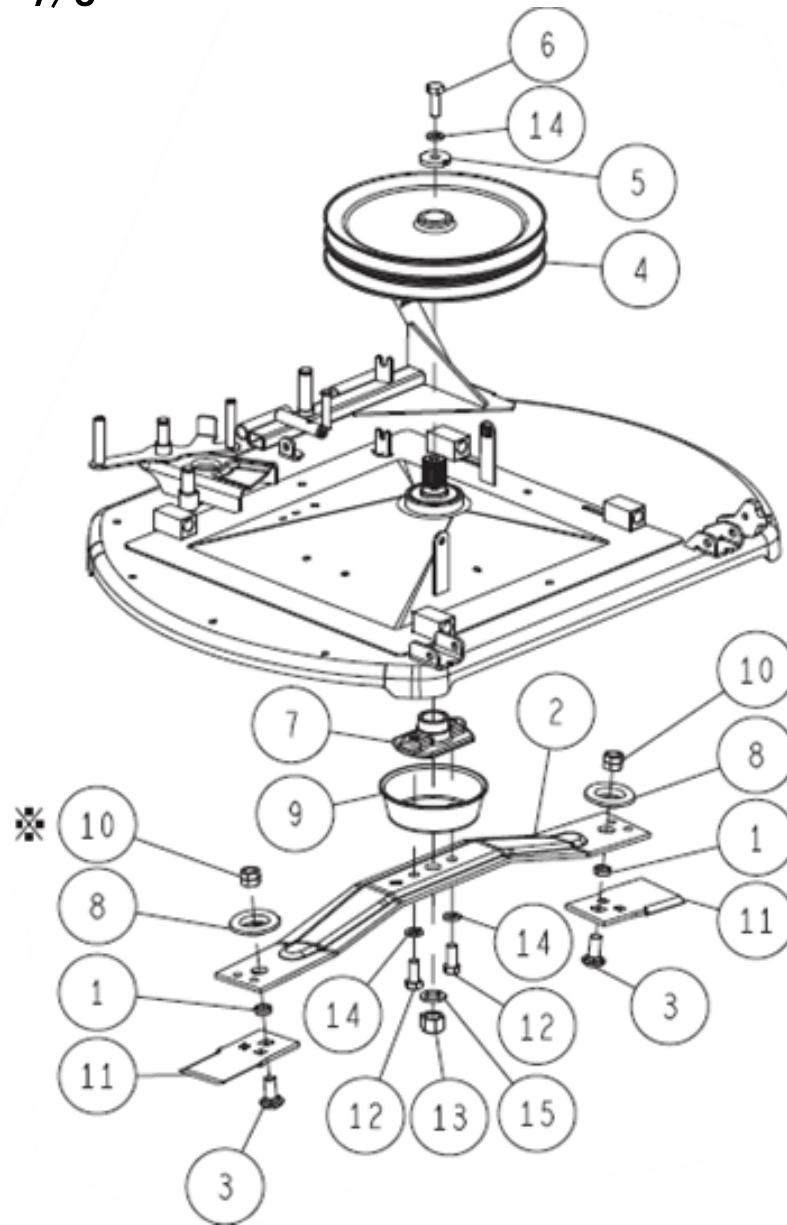
1	80-1485-551-00	Driving Tension Spring	1	1	
2	0225-70800	Blind Cover 40	1	1	
3	0272-40200	Tension Pulley (B)	1	1	
4	0282-70400	Blind Cover 35	1	1	
5	0303-5110H	Middle Tension Arm (A) CMP (Metallic Grey)	1	1	
6	0303-5230H	Middle Pulley CMP (Metallic Grey)	1	1	
7	0309-80600	Spring for Stopper Stay Return	1	1	
8	0913-70700	Grease Nipple B-Type M6	1	1	
9	89-2511-000150	Snap Ring (S15)	1	1	
10	89-2511-000160	Snap Ring (S16)	1	1	
11	89-2511-000170	Snap Ring (S17)	1	1	
12	89-2512-000350	Snap Ring (R35)	1	1	
13	89-2512-000400	Snap Ring (R40)	1	1	
14	89-3115-062024	Bearing 6202 2RS	2	2	
15	89-3115-062034	Bearing 6203 2RS	1	1	
16	89-3510-016150	DU Bush 16.15	2	2	
17	89-6123-005602	V Belt SB-56 (W800)	1	1	
-	0272-41000	Tension Pulley (B) Assy	1	1	3,13,15
No.	Parts Number	Parts Name	RMK151/X Q'ty	RMK150A Q'ty	Remarks



1	0244-63900	Round Head Pin 10*72	2	2	
2	0284-51600	Side Flapper (Rear Right 88)	1	1	
3	0312-23200	Brake Stopper Return Spring	1	1	
4	0312-77510	Flange Cap Nut M6 (Meck)	4	4	
5	0341-50500	Right Cover Up/Down Arm CMP	1	1	
6	0341-50600	Stepped Bolt M8	1	1	
7	0341-51100	Right Cover Flapper (Front)	1	1	
8	0349-5020H	Right Cover CMP (Metallic Grey)	1		
	0349-50203	Right Cover CMP (Grey)		1	
9	83-1751-311-00	Flat Washer 8*25*2.3	1	1	
10	89-1137-060172	Hexagonal Bolt (PW) M6*17	4	4	
11	89-1213-080252	Mini Hexagonal Bolt (8T) M8*25	1	1	
12	89-1561-080002	Mini Hexagonal U Nut M8	1	1	
13	89-1611-080042	Mini Hexagonal Nut M8	1	1	
14	89-1711-080002	Flat Washer 8	1	1	
15	89-1713-060002	Flat Washer 6 (large)	4	4	
16	89-1714-100002	Flat Washer 10	2	2	
17	89-2131-100002	Snap Pin 10	2	2	
No.	Parts Number	Parts Name	RMK151/X	RMK150A	Remarks
			Q'ty		



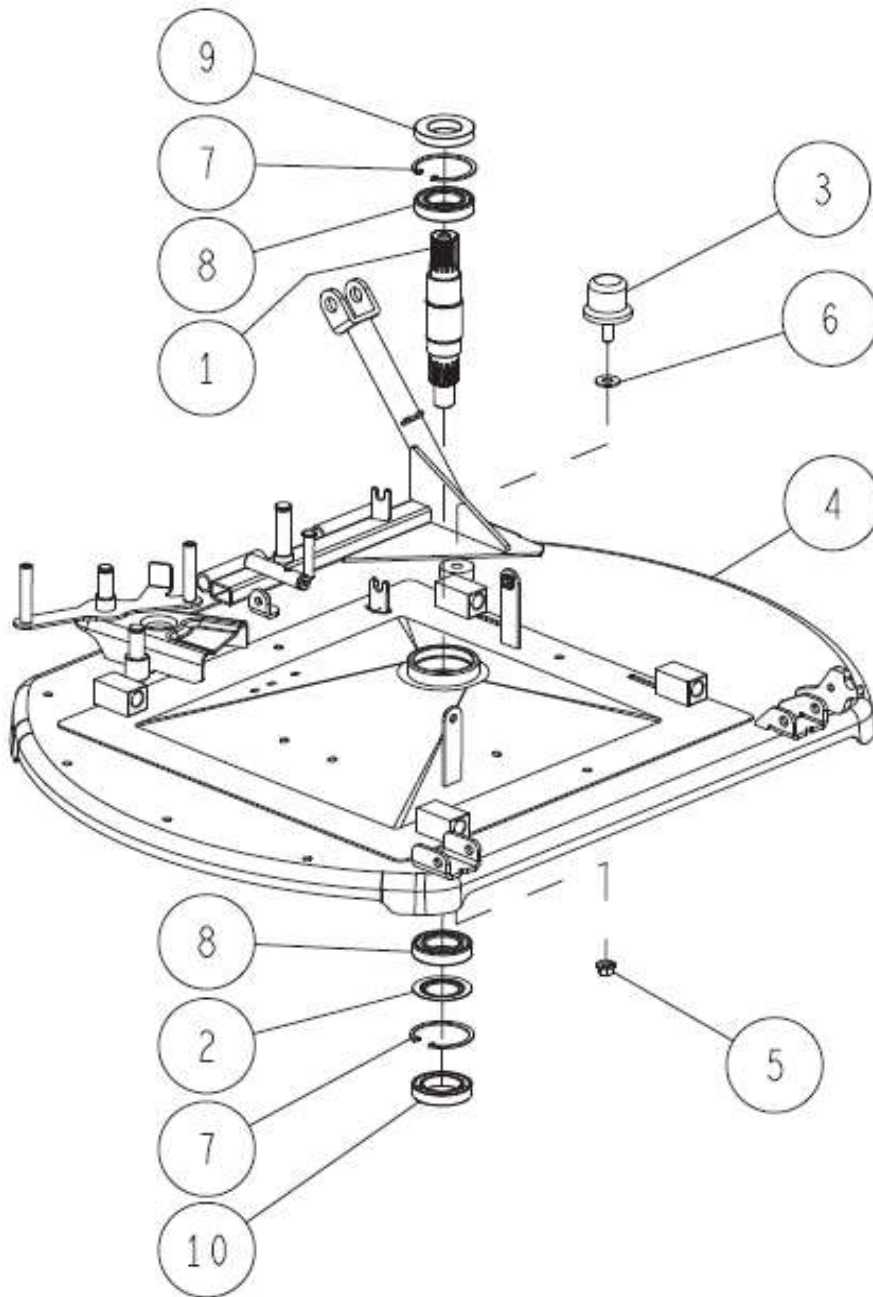
1	80-1482-371-3H	Knife Brake (6t) (Metallic Grey)	1	1	
2	80-1482-373-00	Brake Return Spring	1	1	
3	80-1792-988-00	Harness Clip 8	1	1	
4	0221-5140H	Knife Brake Bracket CMP (Metallic Grey)	1	1	
5	0303-5811H	Knife Belt Holder (L) (Metallic Grey)	1	1	
6	0303-5820H	Knife Belt Holder (R) (Metallic Grey)	1	1	
7	83-1565-329-00	Washer 13*22*2.3	4	4	
8	83-1754-329-00	Washer 13*22*1.0	1	1	
9	89-1233-080202	Mini Hexagonal Bolt (PWSW) M8*20	5	5	
10	89-2120-200152	Split Pin 2*15	1	1	
11	89-2181-060162	Flat Head Pin 6*16	1	1	
12	89-2521-000100	E Type Ring 10	2	2	
13	89-3510-012200	DU Bush 12.20	2	2	
No.	Parts Number	Parts Name	RMK151/X	RMK150A	Remarks
			Q'ty		



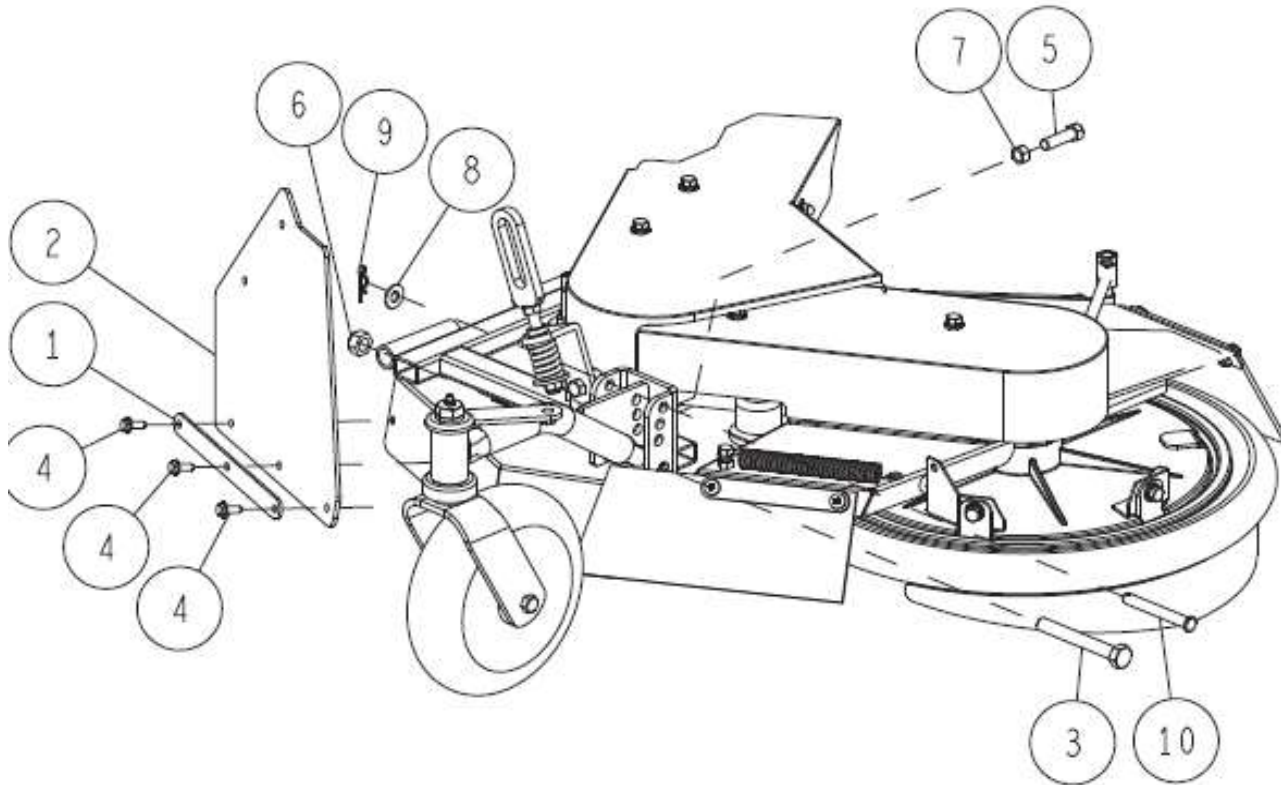
※上下セットで1個



1	80-1483-818-00	Knife Collar	2	2	
2	80-1493-817-10	Knife Stay	1	1	
3	0207-50200	Knife Setting Bolt M14*34	2	2	
4	0221-4010H	Knife Pulley (A) (Metallic Grey)	1	1	
5	0221-76100	Washer 12*40*6	1	1	
6	0221-76300	Hexagonal Bolt (Meck) M12*35	1	1	
7	0238-5110H	Knife Bracket (Metallic Grey)	1	1	
8	0244-51800	Nut Guard 14	2	2	
9	0244-5210H	Knife Neck Guard (Metallic Grey)	1	1	
10	0244-74600	Hard Lock Nut M14	2	2	One set of top and bottom
11	0244-89100	Blade RM85	2	2	
12	83-1483-129-00	Mini Hexagonal Bolt (8T) M12*30	2	2	
13	83-1483-175-00	Bag Nut M20 (Lock)	1	1	
14	89-1750-120002	Spring Washer 12	3	3	
15	89-1750-200002	Spring Washer 20	1	1	
-	0244-78010	Knife & Blade Bolt Set RM85	1	1	1×2ヶ,3×4ヶ,8×2ヶ,10×2ヶ,11×2ヶ
-	0244-78210	Knife Setting Bolt Set M14	2	2	3×2ヶ,8,10
No.	Parts Number	Parts Name	RMK151/X Q'ty	RMK150A Q'ty	Remarks

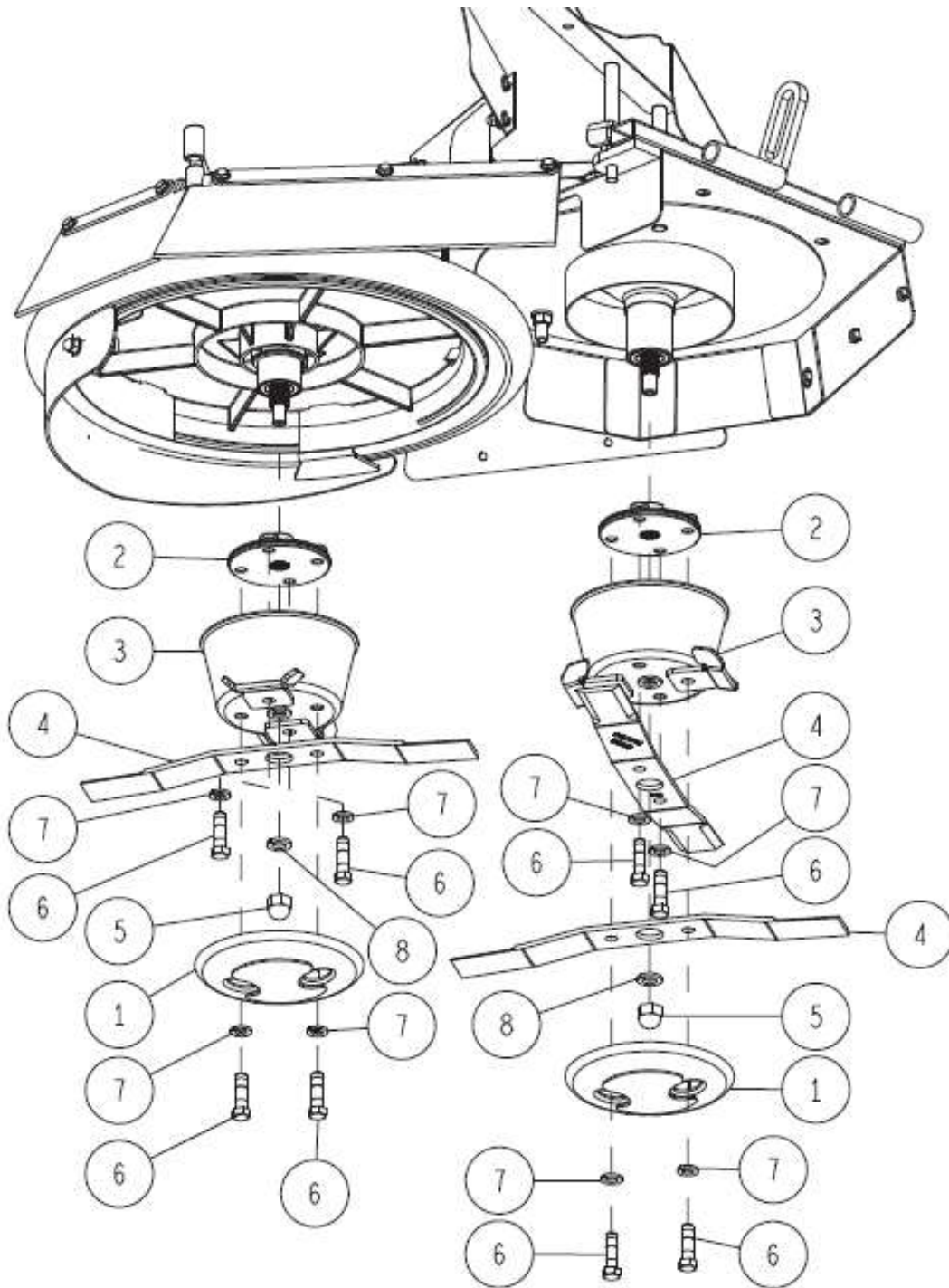


1	0221-50110	Vertical Shaft (A)	1	1	
2	0262-50100	Dust Plate	1	1	
3	0303-70300	Stopper Cushion Rubber	1		※BYBAC00042~
4	0349-5011H	Safety Cover CMP (Metallic Grey)	1		※BYBAC00042~
	0349-5010H	Safety Cover CMP (Metallic Grey)	1		※~BYBAB00041
	0349-50103	Safety Cover CMP (Grey)		1	
5	89-1543-100002	Mini Hexagonal Nut (SW) M10	1		※BYBAC00042~
6	89-1713-100002	Flat Washer 10 (large)	1		※BYBAC00042~
7	89-2512-000620	Snap Ring (R62)	2	2	
8	89-3115-060074	Bearing 6007 2RS	2	2	
9	89-5121-356210	Oil Seal UE 35.62.10	1	1	
10	89-5121-406212	Oil Seal UE 40.62.12	1	1	
No.	Parts Number	Parts Name	RMK151/X Q'ty	RMK150A Q'ty	Remarks

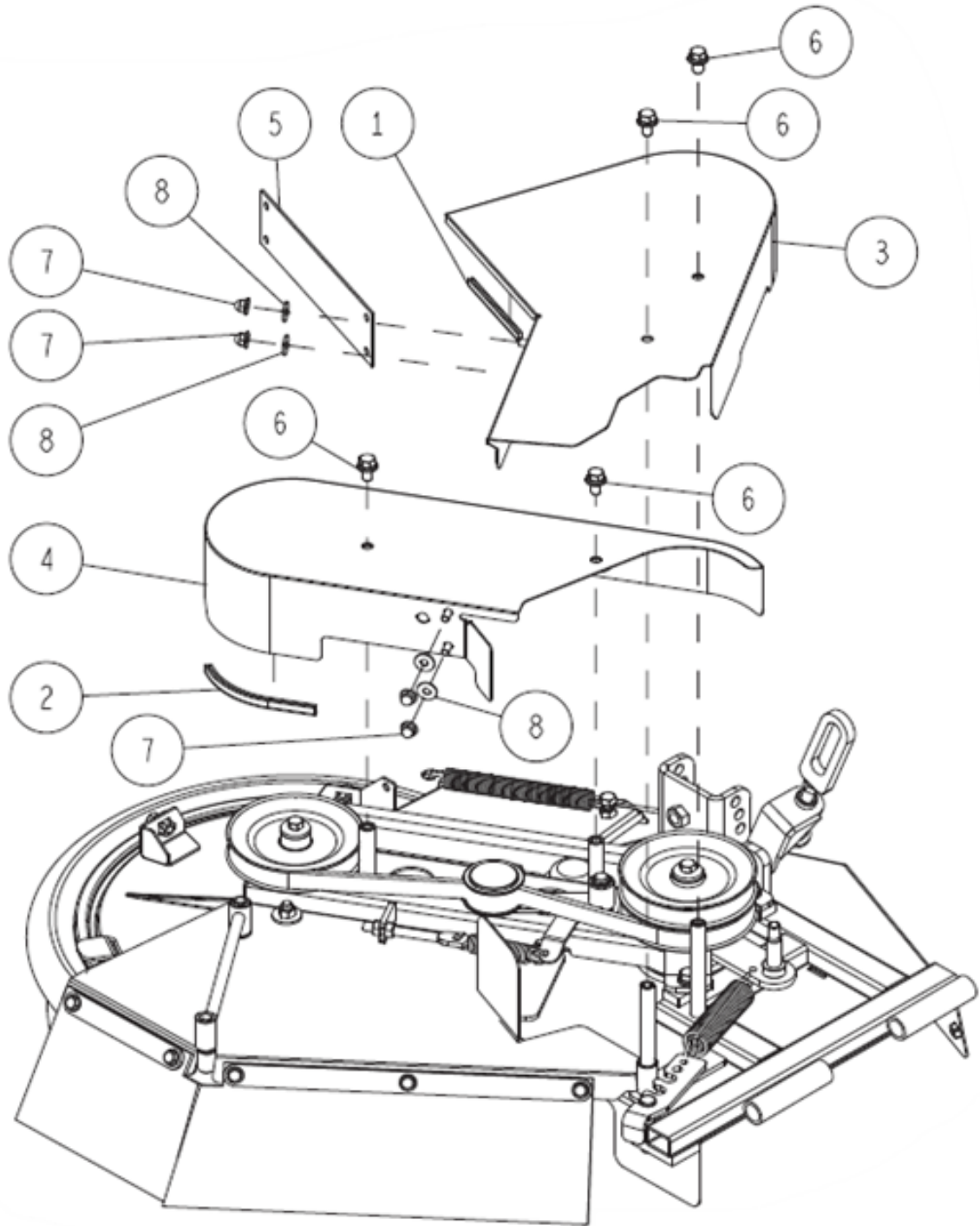


1	0303-5610H	Offset Flapper Holder (B) (Metallic Grey)	1	1	
2	0303-61400	Offset Flapper (B)	1	1	
3	89-1111-120952	Hexagonal Bolt M12*95	1	1	
4	89-1137-060172	Hexagonal Bolt (PW) M6*17	3	3	
5	89-1213-100357	Mini Hexagonal Bolt (8T) M10*35	1	1	
6	89-1551-120002	Hexagonal U Nut M12	1	1	
7	89-1611-100042	Mini Hexagonal Nut M10	1	1	
8	89-1714-100002	Flat Washer 10	1	1	
9	89-2131-100002	Snap Pin 10	1	1	
10	89-2181-100802	Flat Head Pin 10*80	1	1	
No.	Parts Number	Parts Name	RMK151/X	RMK150A	Remarks
			Q'ty		



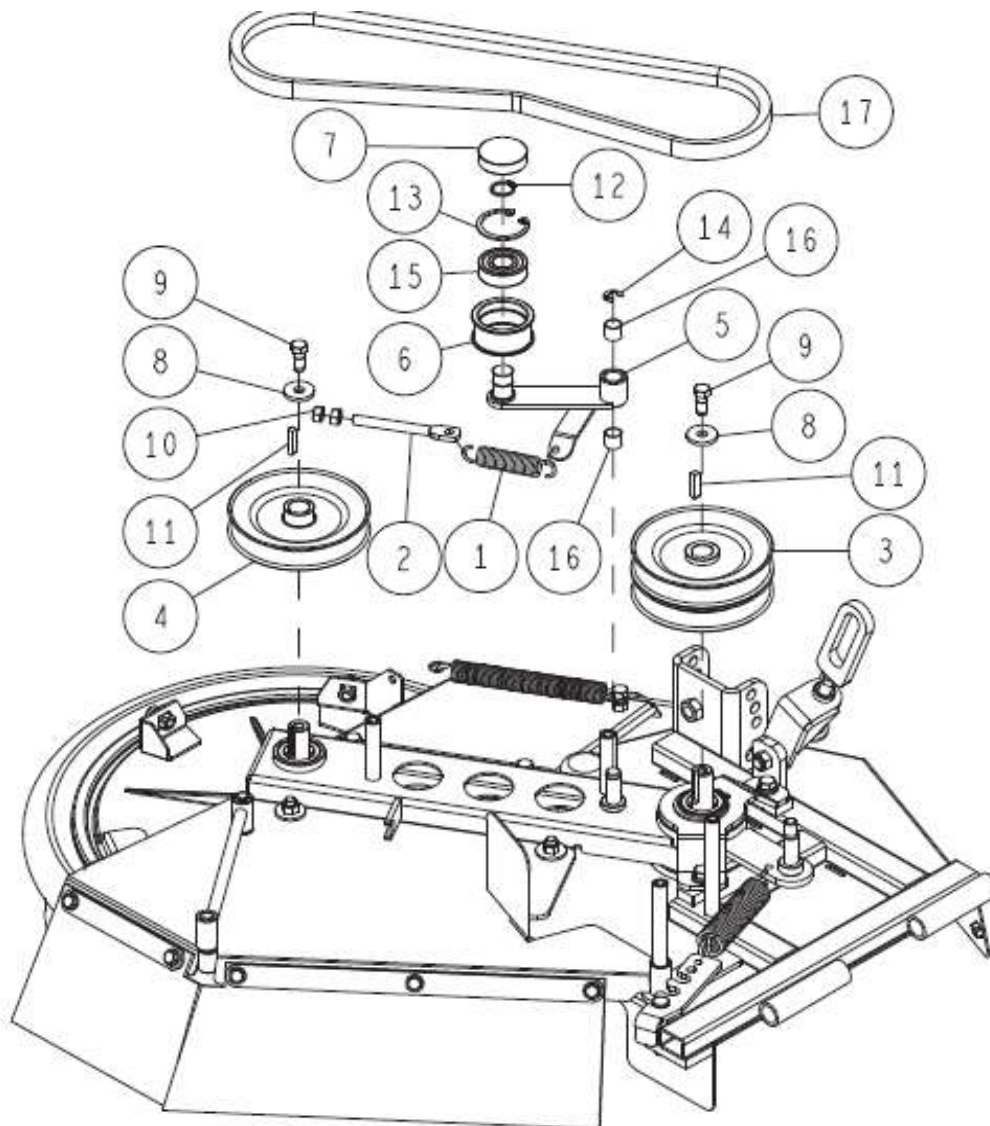


1	0329-5531H	Rotary Protector (RMK150) (Metallic Grey)	2	2	
2	0329-5540H	Knife Bracket (B) (RMK150) (Metallic Grey)	2	2	
3	0329-5550H	Knife Neck Guard CMP (RMK150) (Metallic Grey)	2	2	
4	0329-55600	Offset Blade (RMK150)	3	3	
5	83-1517-175-00	Mini Cap Nut M12	2	2	
6	83-1610-125-00	Hexagonal Bolt (8T) M10*35	8	8	
7	89-1750-100002	Spring Washer 10	8	8	
8	89-1750-120002	Spring Washer 12	2	2	
-	0329-72000	Knife & Bolt Set	1	1	4 × 3Pcs ,6 × 6Pcs, 7 × 6Pcs
No.	Parts Number	Parts Name	RMK151/X	RMK150A	Remarks
			Q'ty		

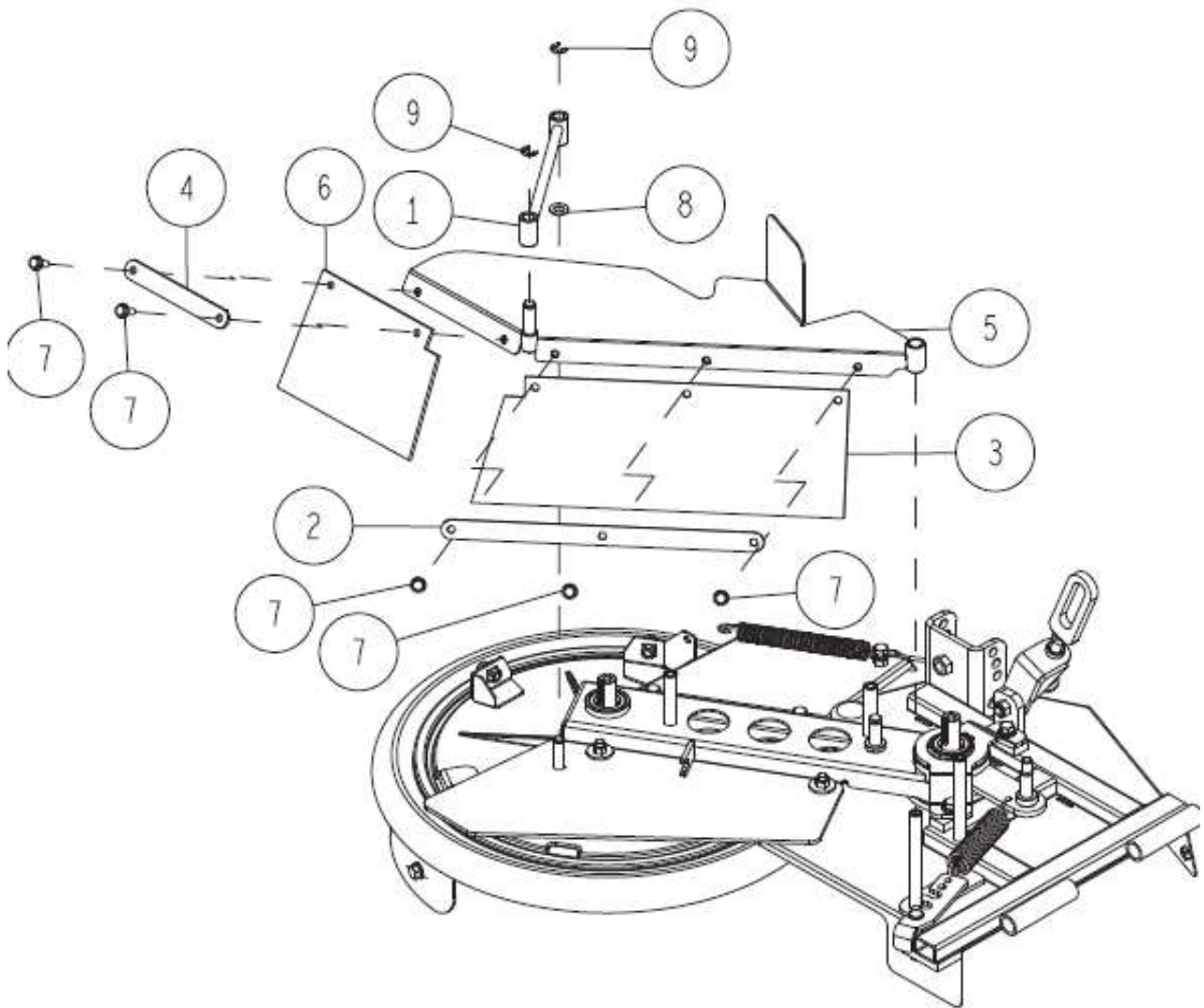


※ When ordering part ④, please also order part ② at the same time and glue them together.

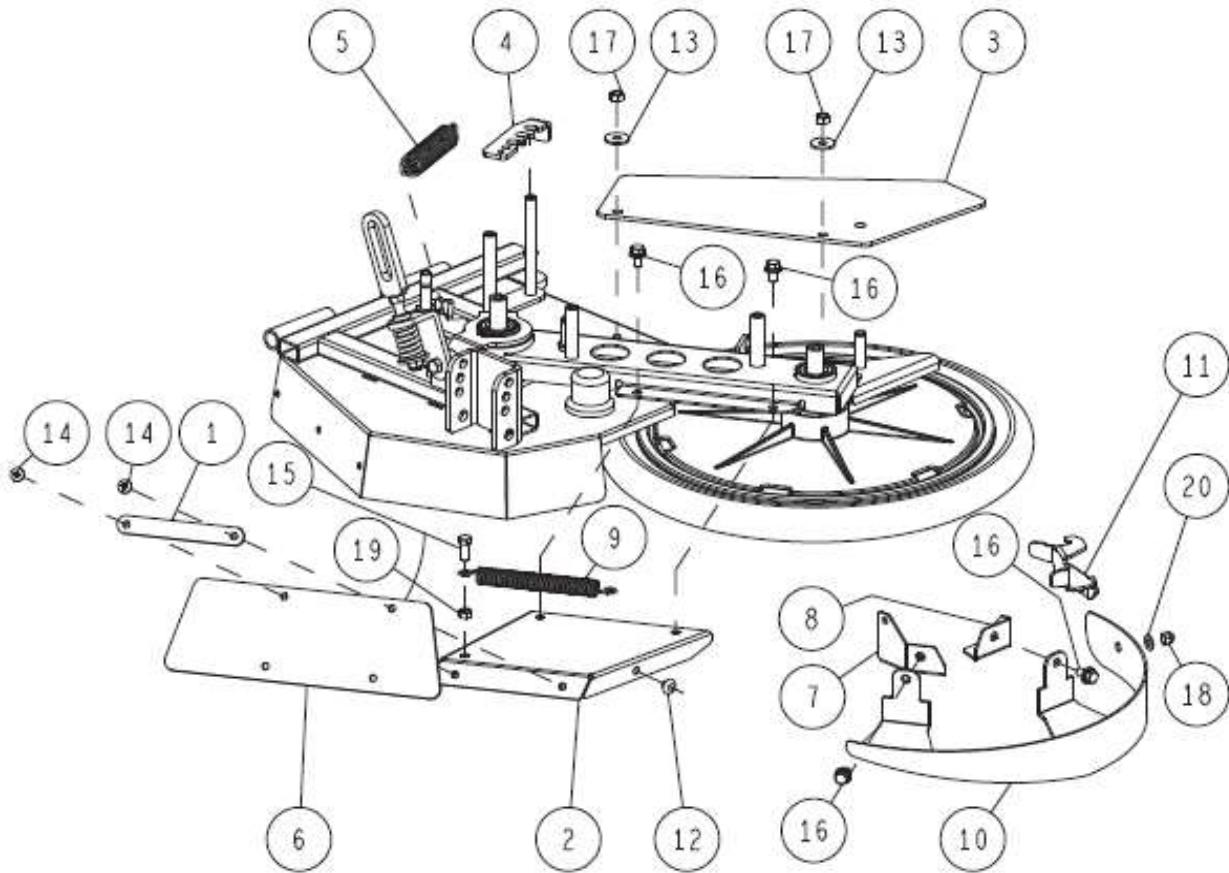
1	0223-71500	Rubber L92	1	1	
2	0301-60400	Rubber 110L	1	1	※Attach to ④ with glue
3	0329-53501	Offset Belt Cover (B) CMP (RMK150) (White)	1	1	
4	0329-53701	Offset Belt Cover (C) CMP (RMK150) (White)	1	1	※Order ② together
5	0329-57700	Belt Cover Rubber	1	1	
6	89-1233-080162	Mini Hexagonal Bolt (PWSW) M8*16	4	4	
7	89-1581-060042	Flange Cap Nut M6	4	4	
8	89-1713-060002	Flat Washer 6 (large)	4	4	
No.	Parts Number	Parts Name	RMK151/X Q'ty	RMK150A Q'ty	Remarks



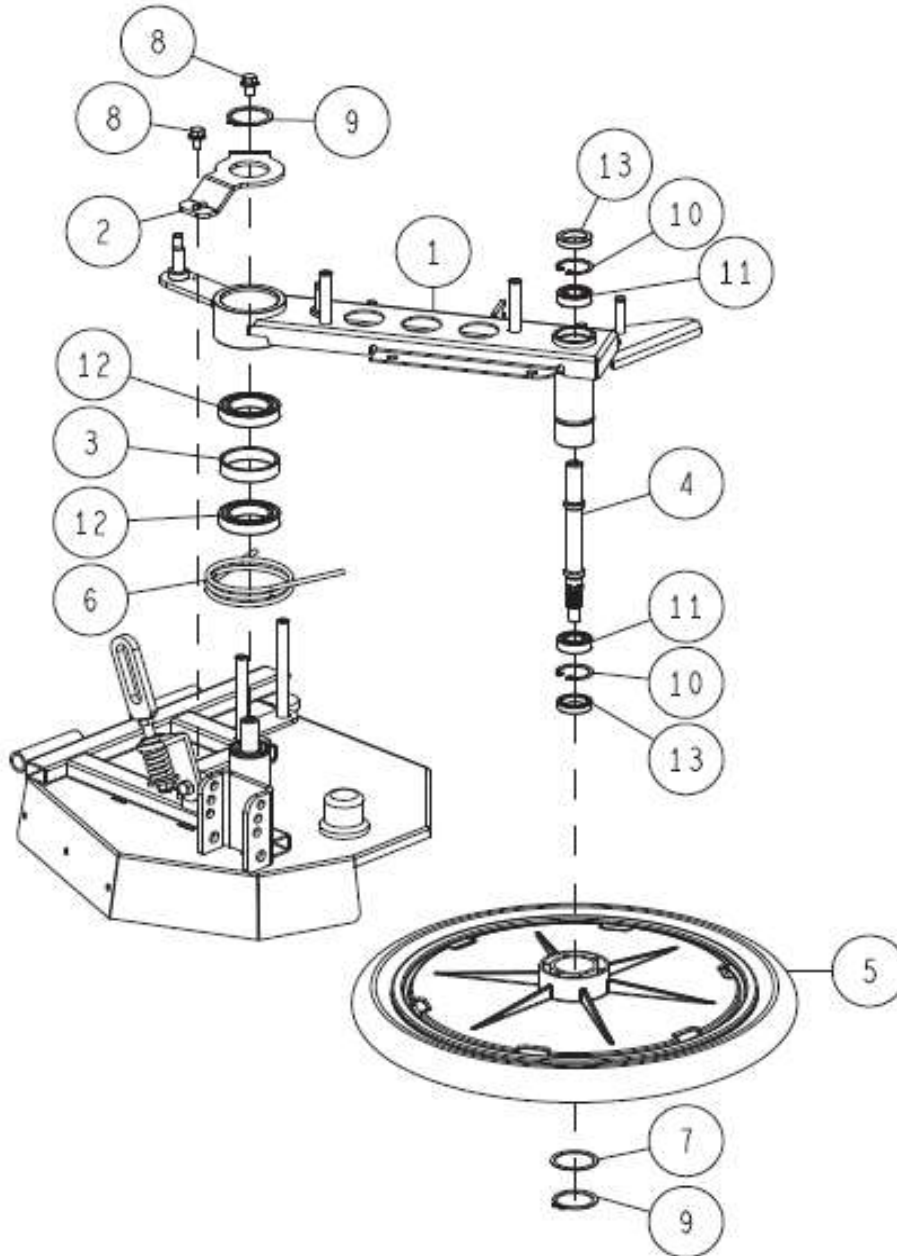
1	0201-52700	Tension Spring for Blade	1	1	
2	0207-72300	Change Brake Adjuster	1	1	
3	0221-4020H	Knife Pulley (B) (Metallic Grey)	1	1	
4	0221-4030H	Knife Pulley (C) (Metallic Grey)	1	1	
5	0221-4130H	Tension Arm (C) CMP (Metallic Grey)	1	1	
6	0221-41400	Tension Pulley (C)	1	1	
7	0225-70800	Blind Cover 40	1	1	
8	83-1751-312-00	Washer 8*25*3.2	2	2	
9	83-1761-112-00	Hexagonal Bolt (Meck) M8*20 (8T) (Lock)	2	2	
10	89-1611-080042	Mini Hexagonal Nut M8	2	2	
11	89-2151-050250	Key 5*25 (half round)	2	2	
12	89-2511-000170	Snap Ring (S17)	1	1	
13	89-2512-000400	Snap Ring (R40)	1	1	
14	89-2521-000083	E Type Ring 8	1	1	
15	89-3115-062034	Bearing 6203 2RS	1	1	
16	89-3510-012120	DU Bush 12.12	2	2	
17	89-6123-004002	V Belt SB-40 (W800)	1	1	
No.	Parts Number	Parts Name	RMK151/X	RMK150A	Remarks
			Q'ty		



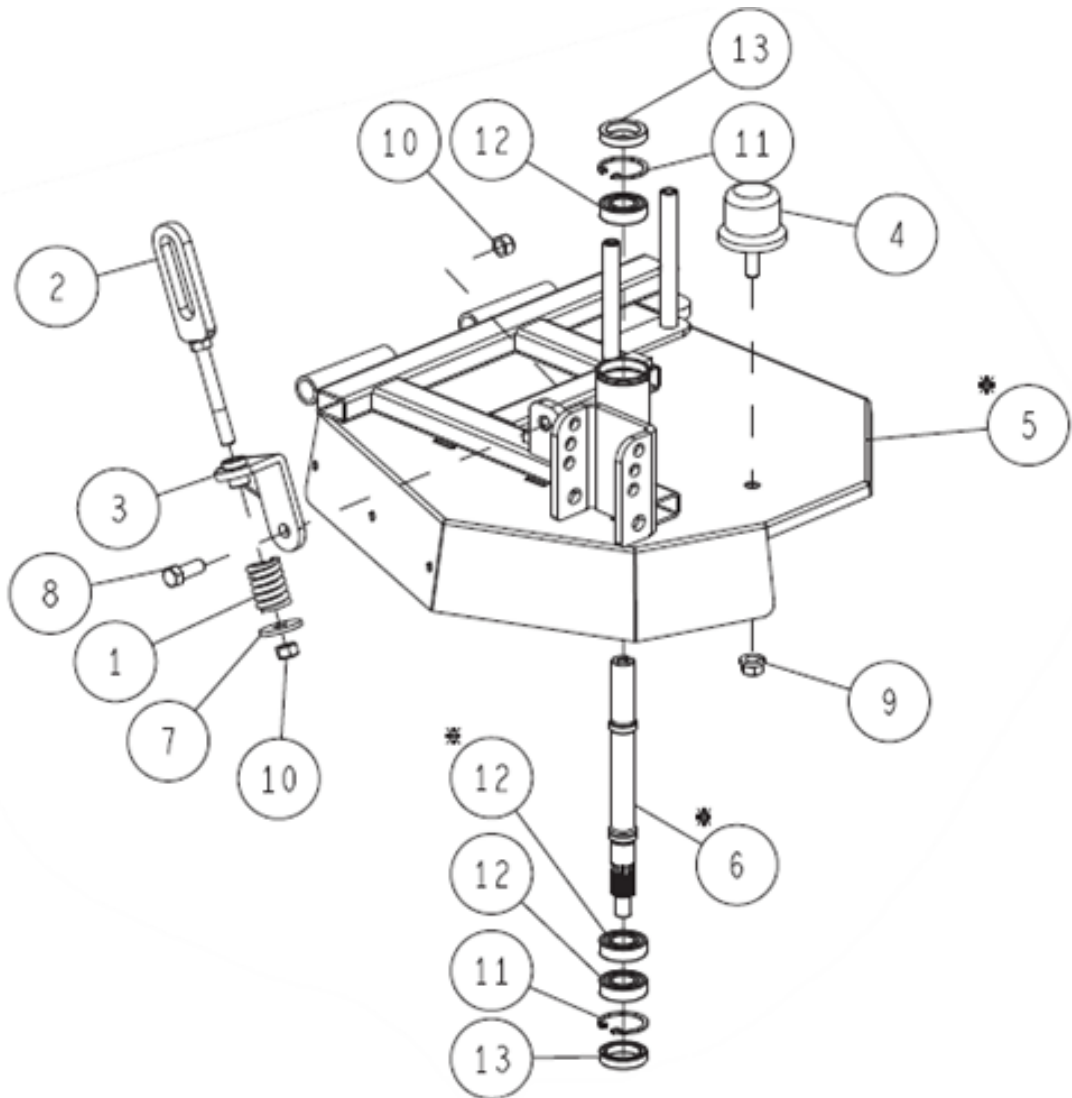
1	0303-5260H	Swing Arm CMP (Metallic Grey)	1	1	
2	0303-5650H	Swing Flapper Holder (Metallic Grey)	1	1	
3	0303-57800	Swing Flapper	1	1	
4	0308-5040H	Swing Front Flapper Holder (RMK150) (Metallic Grey)	1	1	
5	0329-5270H	Swing Cover CMP (RMK150) (Metallic Grey)	1		
	0329-52703	Swing Cover CMP (RMK150) (Grey)		1	
6	0329-57900	Swing Side Flapper (RMK150)	1	1	
7	89-1137-060172	Hexagonal Bolt (PW) M6*17	5	5	
8	89-1711-100002	Flat Washer 10*18*1.6	1	1	
9	89-2521-000080	E Type Ring 8	2	2	
No.	Parts Number	Parts Name	RMK151/X	RMK150A	Remarks
			Q'ty		



1	0308-5040H	Swing Front Flapper Holder (Metallic Grey)	1	1	RMK150
2	0329-5310H	Cover (D) CMP (Metallic Grey)	1		RMK150
	0329-53103	Cover (D) CMP (RMK150) (Grey)		1	
3	0329-53300	Cover (E) (RMK150)	1	1	
4	0329-55700	Spring Hook Plate (RMK150)	1	1	
5	0329-55900	Spring for Offset Return (P) (RMK150)	1	1	
6	0329-57800	Swing Front Flapper (RMK150)	1	1	
7	0329-62202	Cover Stopper (A) CMP (Red)	1	1	
8	0329-62402	Cover Stopper (B) CMP (Red)	1	1	
9	0329-62600	Spring for Cover Return	1	1	
10	0356-62102	Offset Cover CMP (Red)	1	1	
11	0356-62302	Cover Setting Stay CMP (Red)	1	1	
12	0927-71700	Rubber Cap 10	1	1	
13	83-1751-311-00	Flat Washer 8*25*2.3	2	2	
14	89-1159-060168	Truss Mini Screw M6*16	2	2	
15	89-1211-080202	Mini Hexagonal Bolt M8*20	1	1	
16	89-1233-080162	Mini Hexagonal Bolt (PWSW) M8*16	4	4	
17	89-1561-080002	Mini Hexagonal U Nut M8	2	2	
18	89-1563-080003	Bag Hexagonal U Nut M8	1	1	
19	89-1611-080042	Mini Hexagonal Nut M8	1	1	
20	89-1711-080002	Flat Washer 8	1	1	
No.	Parts Number	Parts Name	RMK151/X	RMK150A	Remarks
			Q'ty		



1	0329-5070H	Offset Cover (C) CMP (Metallic Grey)	1		RMK150
	0329-50703	Offset Cover (C) CMP (Grey)		1	
2	0329-5130H	Upper Holder (Metallic Grey)	1		RMK150
	0329-51303	Upper Holder (Grey)		1	
3	0329-51400	Holder Collar (RMK150)	1	1	
4	0329-52400	Vertical Shaft (C) (RMK150)	1	1	
5	0329-55100	18 inch Tire (RMK150)	1	1	
6	0329-55800	Spring for Offset Return (RMK150)	1	1	
7	83-1830-382-00	Thrust Washer 40*48*1.0	1	1	
8	89-1233-080162	Mini Hexagonal Bolt (PWSW) M8*16	2	2	
9	89-2511-000400	Snap Ring (S40)	2	2	
10	89-2512-000350	Snap Ring (R35)	2	2	
11	0356-70200	Bearing 6003 2RS	2	2	
12	89-3115-069084	Bearing 6908 2RS	2	2	
13	89-5121-253507	Oil Seal UE 25.35.7	2	2	
No.	Parts Number	Parts Name	RMK151/X	RMK150A	Remarks
			Q'ty		



Note) ~BYBAF00101 uses two bearings on vertical axis B

The following set (parts marked with \*) can be reassembled to use three bearings, BYBAJ00102~.

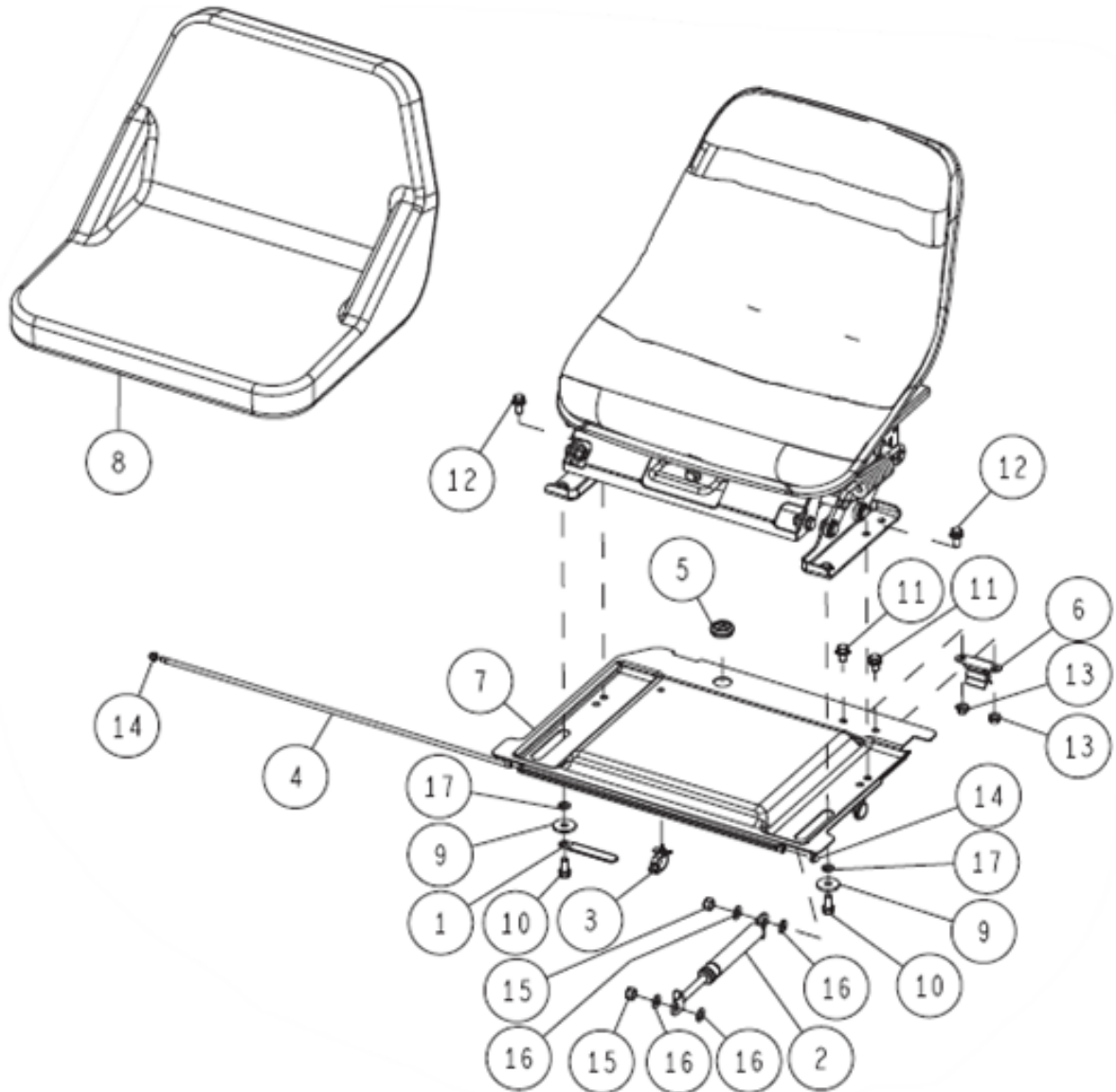
Set number 0329-58000: Cover B (vertical shaft set)

•0329-5061H: Cover B CMP Gunmetal 1 piece

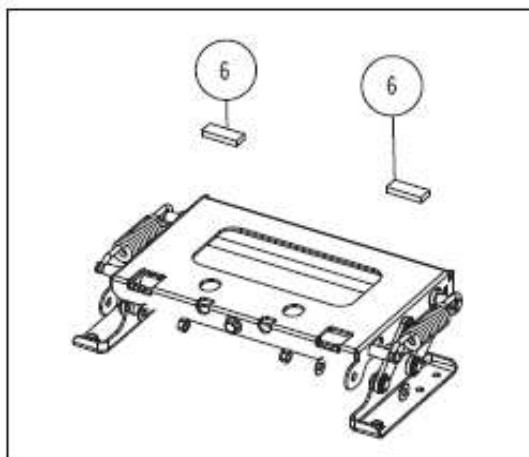
•0329-52210: Vertical shaft B 1 piece

•0356-70200: Bearing 6003 2RS 1 piece

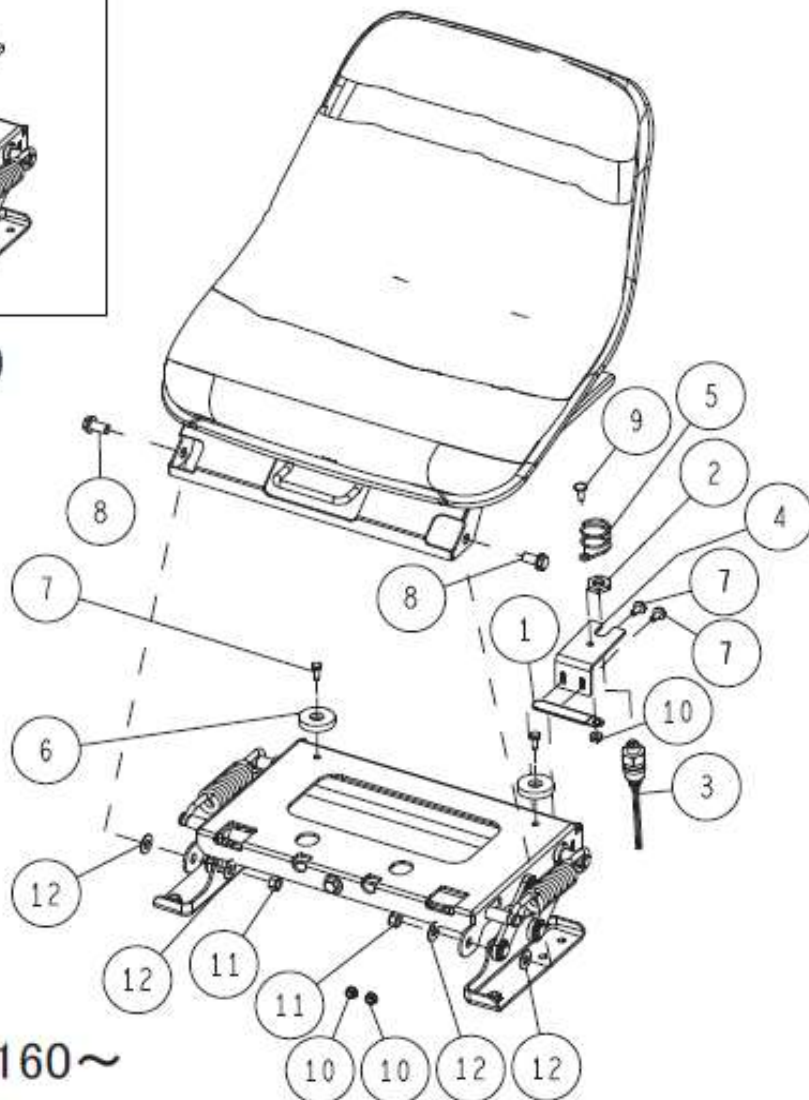
1	0221-51200	Hunger Spring (A)	1	1	
2	0303-53100	Hanger CMP	1	1	
3	0303-53603	Hunger Stay CMP (Grey)	1	1	
4	0303-70300	Stopper Cushion Rubber	1	1	
5	0329-5061H	Offset Cover (B) CMP (RMK150) (Metallic Grey)	1		※BYBAJ00102~
	0329-5060H	Offset Cover (B) CMP (RMK150) (Metallic Grey)	1		~BYBAF00101
	0329-50603	Offset Cover (B) CMP (RMK150) (Grey)		1	
6	0329-52210	Vertical Shaft (B) (RMK150)	1		※BYBAJ00102~
	0329-52200	Vertical Shaft (B) (RMK150)	1	1	~BYBAF00101
7	83-1035-323-00	Washer 10*30*3.2	1	1	
8	89-1213-100252	Mini Hexagonal Bolt (8T) M10*25	1	1	
9	89-1543-100002	Mini Hexagonal Nut (SW) M10	1	1	
10	89-1561-100002	Mini Hexagonal U Nut M10	2	2	
11	89-2512-000350	Snap Ring (R35)	2	2	
12	0356-70200	Bearing 6003 2RS	3		※BYBAJ00102~
	0356-70200	Bearing 6003 2RS	2	2	~BYBAF00101
13	89-5121-253507	Oil Seal UE 25.35.7	2	2	
No.	Parts Number	Parts Name	RMK151/X	RMK150A	Remarks
			Q'ty		



1	80-1792-988-00	Harness Clip 8	1	1	
2	0207-72700	Gas Spring KMF 50-40	1	1	
	0310-73800	Gas Spring KMF 50-40	1	1	
3	0221-71900	Clip CT-339	1	1	
4	0244-22200	Seat Bracket Shaft	1	1	
5	0244-73700	Grommet 24	1	1	
6	0312-70700	Bonnet Clip	1	1	
	0322-2160G	Seat Bracket CMP (Green)	1		
7	0322-21601	Seat Bracket CMP (White)	1(IA)	1	OR·IA
8	0322-73100	Seat Cover (option)	1	1	
9	83-1415-312-00	Washer 8*30*3.2	2	2	
10	89-1232-080202	Mini Hexagonal Bolt (SW) M8*20	2	2	
11	89-1233-080162	Mini Hexagonal Bolt (PWSW) M8*16	2	2	
12	89-1233-080202	Mini Hexagonal Bolt (PWSW) M8*20	2	2	
13	89-1543-080002	Mini Hexagonal Nut (SW) M8	2	2	
14	89-1553-060002	Bag Hexagonal U Nut M6	2	2	
15	89-1561-100002	Mini Hexagonal U Nut M10	2	2	
16	89-1711-100002	Flat Washer 10*18*1.6	4	4	
17	89-1750-080002	Spring Washer 8	2	2	
No.	Parts Number	Parts Name	RMK151/X Q'ty	RMK150A Q'ty	Remarks

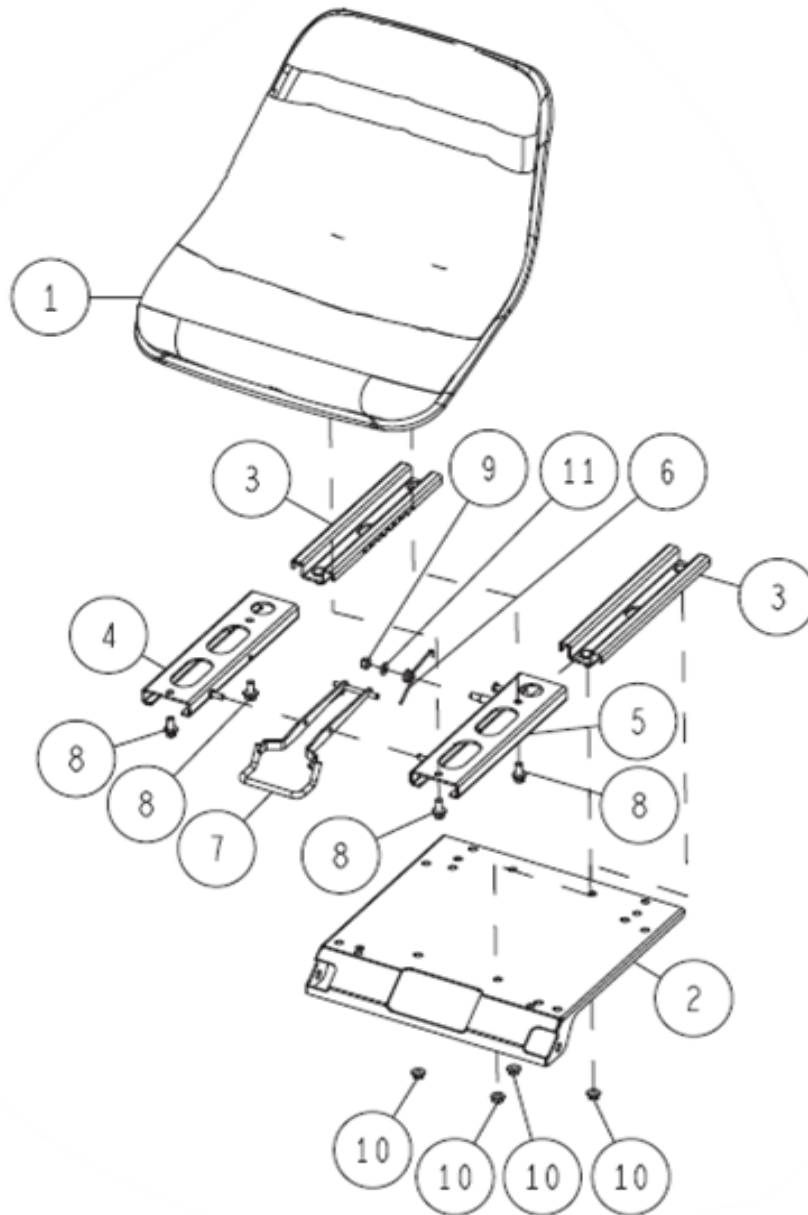


~BYAJH00159

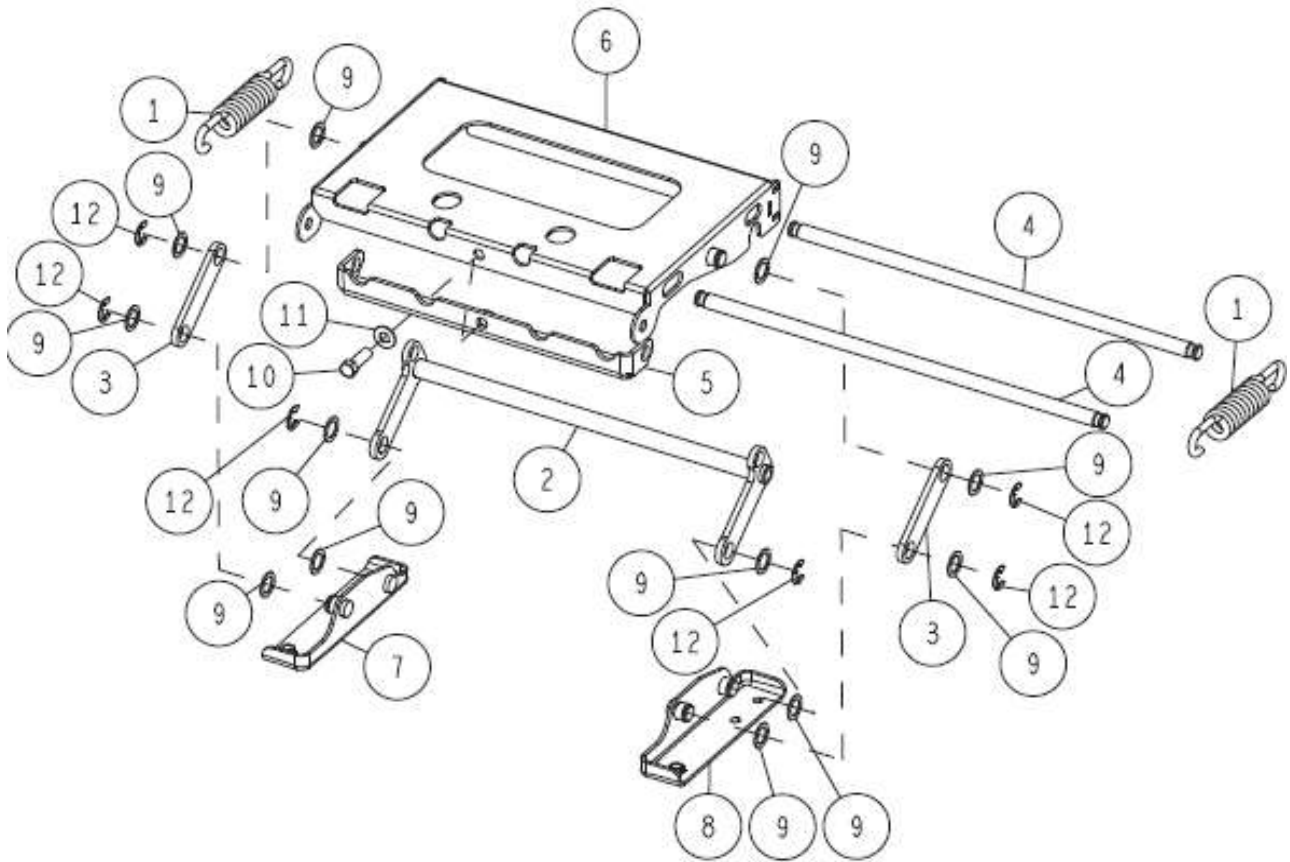


BYAJJ00160~

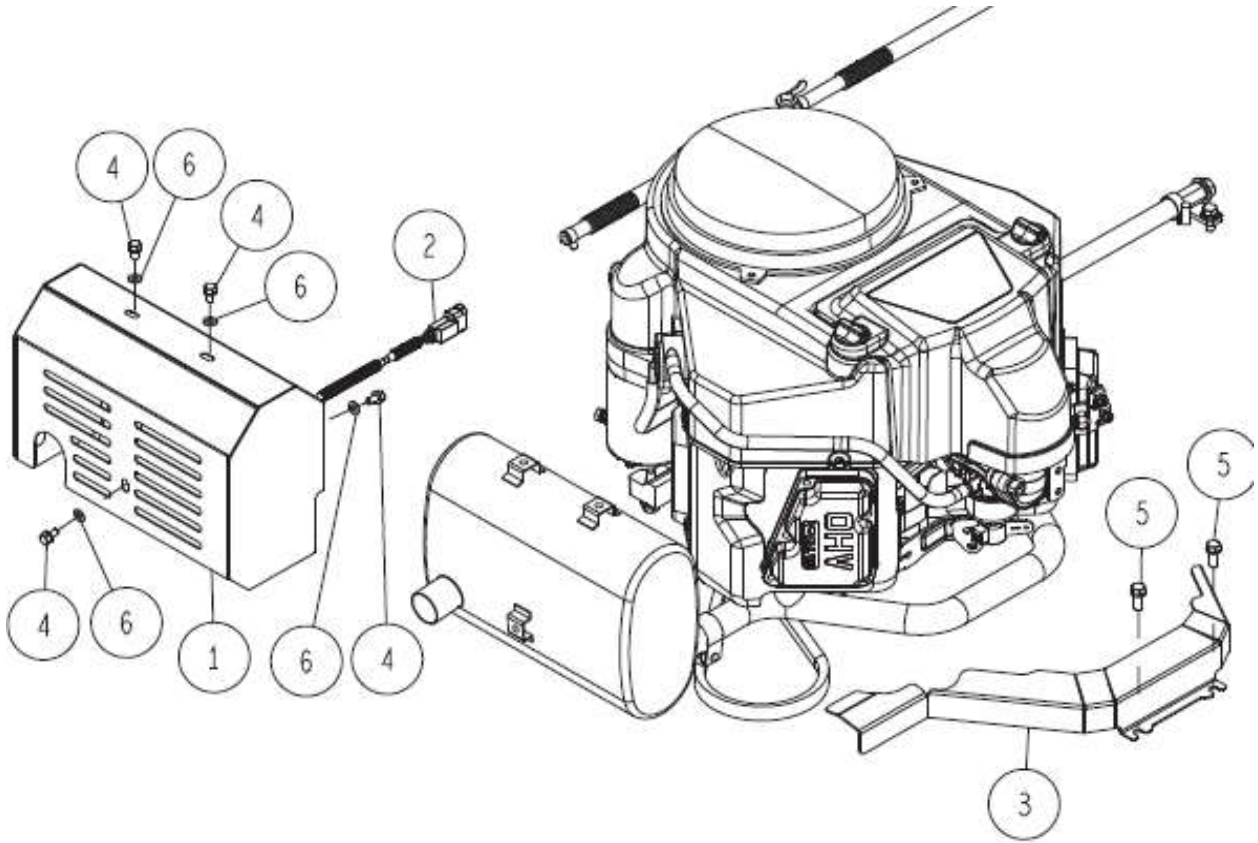
1	80-1792-988-00	Harness Clip 8	1	1	
2	0207-72800	Switch Lock Nut	1	1	
3	0207-74400	Safety Switch K17850	1	1	
4	0341-21600	Seat Switch Stay	1	1	
5	0341-21700	Seat Switch Spring	1	1	
6	0342-22100	Rubber, Seat Spacer	2	2	BYAJJ00160~
	0312-22300	Rubber, Seat Spacer	2	2	~BYAJH00159
7	89-1137-060152	Hexagonal Bolt (PW) M6*15	4	2	
8	89-1253-100202	Flange Mini Hexagonal Bolt (8T) M10*20	2	2	
9	89-1390-060162	Welded Bolt M6*16	1	1	
10	89-1531-060042	Flange Nut M6	3	3	
11	89-1561-100002	Mini Hexagonal U Nut M10	2	2	
12	89-1714-100002	Flat Washer 10	4	4	
No.	Parts Number	Parts Name	RMK151/X	RMK150A	Remarks
			Q'ty		



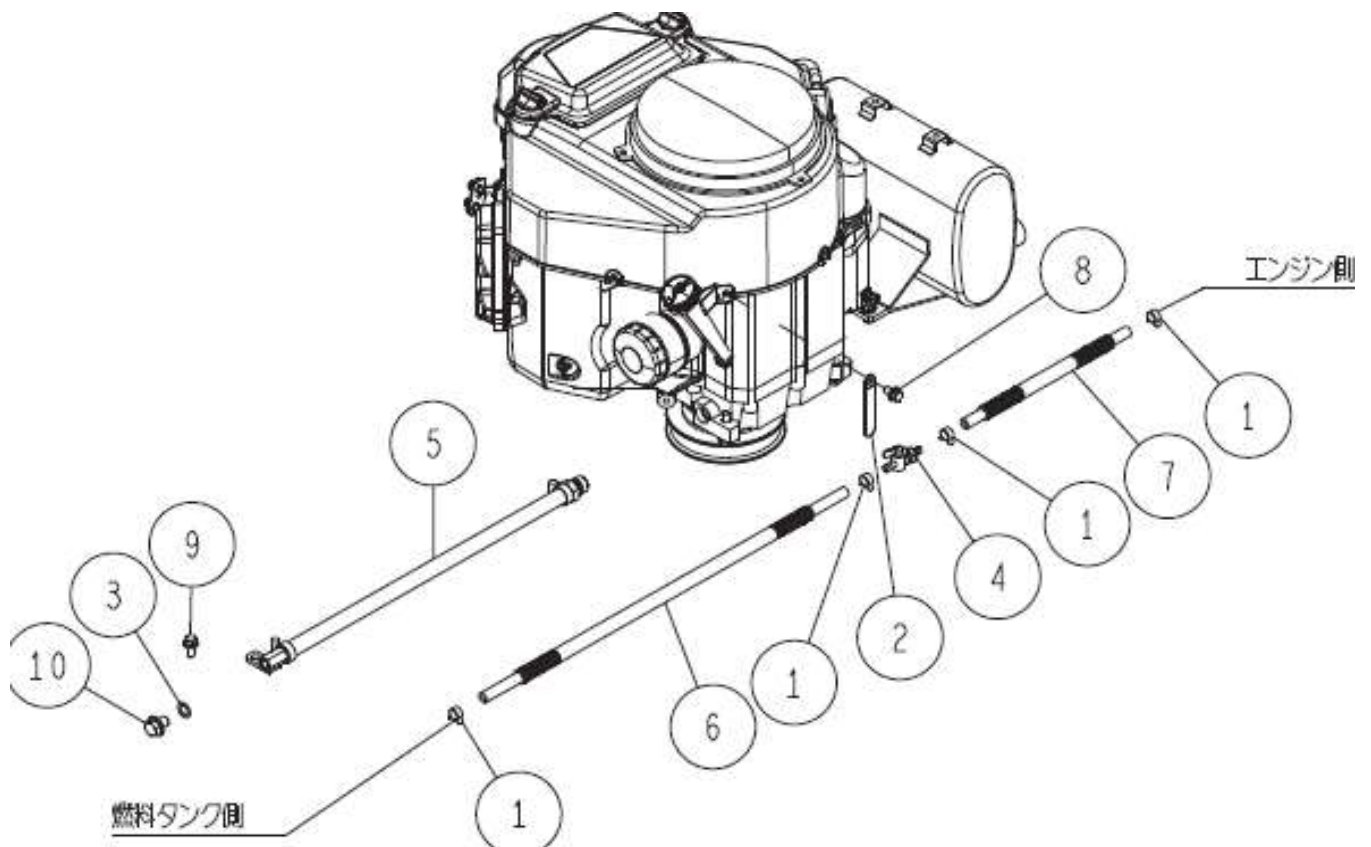
1	0284-78100	Seat K4 (Black)	1	1	
2	0341-21101	Seat Receiver CMP (White)	1	1	
	0356-21101	Seat Receiver CMP (White)	1	1	
3	0341-21203	Lower Slide CMP (Grey)		2	
	0341-21201	Lower Slide CMP (White)	2		
4	0341-21303	Upper Slide CMP (R) (Grey)		1	
	0341-21301	Upper Slide CMP (R) (White)	1		
5	0341-21403	Upper Slide CMP (L) (Grey)		1	
	0341-21401	Upper Slide CMP (L) (White)	1		
6	0341-21500	Seat Lever Spring	1	1	
7	0341-21803	Slide Lever CMP (Grey)		1	
	0341-21801	Slide Lever CMP (White)	1		
8	89-1233-080202	Mini Hexagonal Bolt (PWSW) M8*20	4	4	
9	89-1561-080002	Mini Hexagonal U Nut M8	1	1	
10	89-1631-080042	Flange Mini Hexagonal Nut M8	4	4	
11	89-1711-080002	Flat Washer 8	1	1	
No.	Parts Number	Parts Name	RMK151/X	RMK150A	Remarks
			Q'ty		



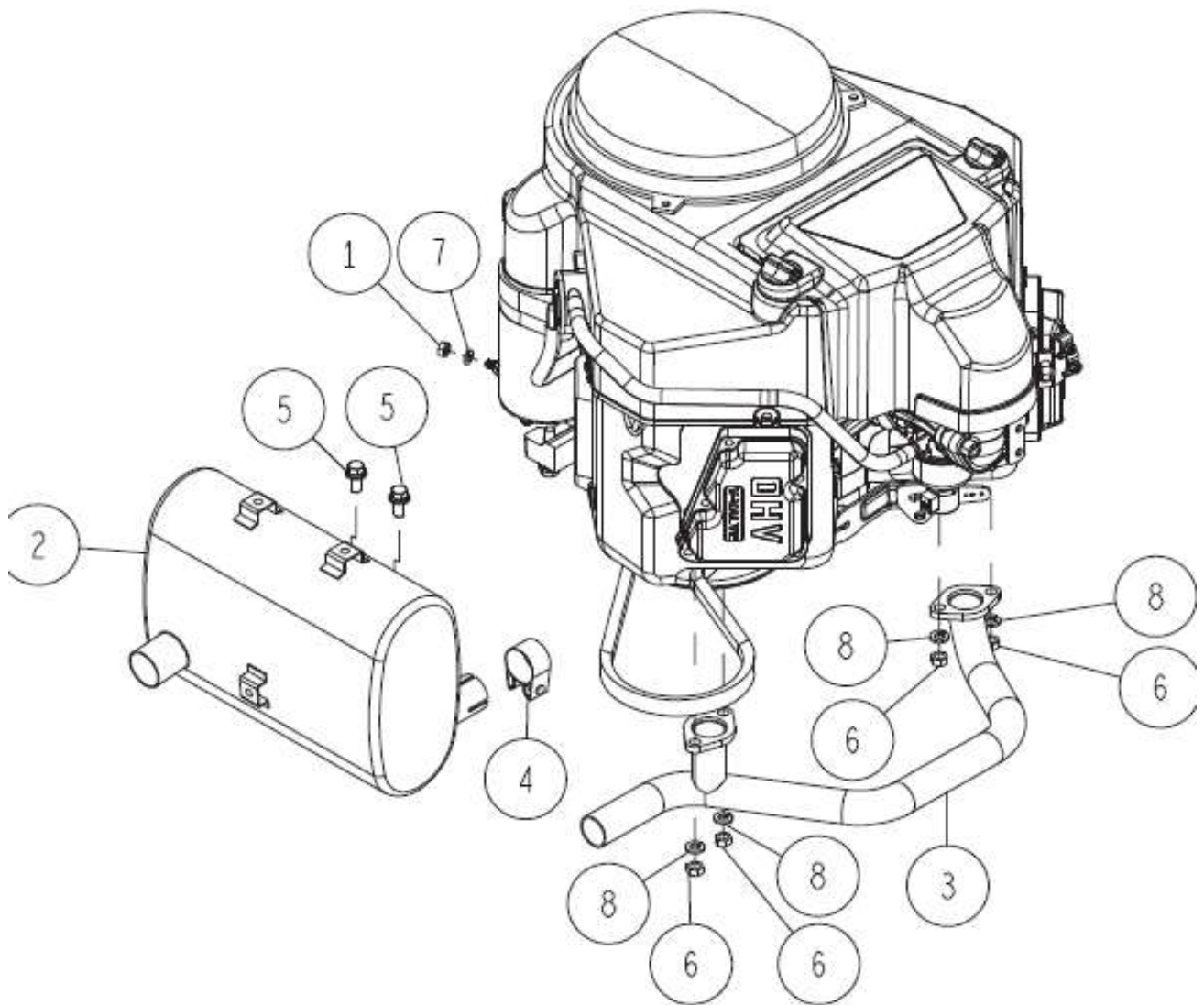
1	0244-71200	Spring for Seat Link	2	2	
2	0312-21601	Parallel Seat Link CMP (White)	1	1	
3	0312-21701	Seat Parallel Link (B) (White)	2	2	
4	0312-21800	Spring Shaft	2	2	
5	0312-22101	Spring Shaft Hook CMP (White)	1	1	
6	0341-21901	Link Upper Bracket CMP (White)	1	1	
7	0348-2110G	Link Upper Bracket (R) CMP (Green)	1		OR
	0348-21101	Link Upper Bracket (R) CMP (White)	1	1	IA,OR
8	0348-2120G	Link Upper Bracket (L) CMP (Green)	1		OR
	0348-21201	Link Upper Bracket (L) CMP (White)	1	1	IA,OR
9	83-1020-363-00	Thrust Washer 16*24*1.0	12	12	
10	89-1211-100302	Mini Hexagonal Bolt M10*30	1	1	
11	89-1714-100002	Flat Washer 10	1	1	
12	89-2521-000120	E Type Ring 12	6	6	
No.	Parts Number	Parts Name	RMK151/X	RMK150A	Remarks
			Q'ty		



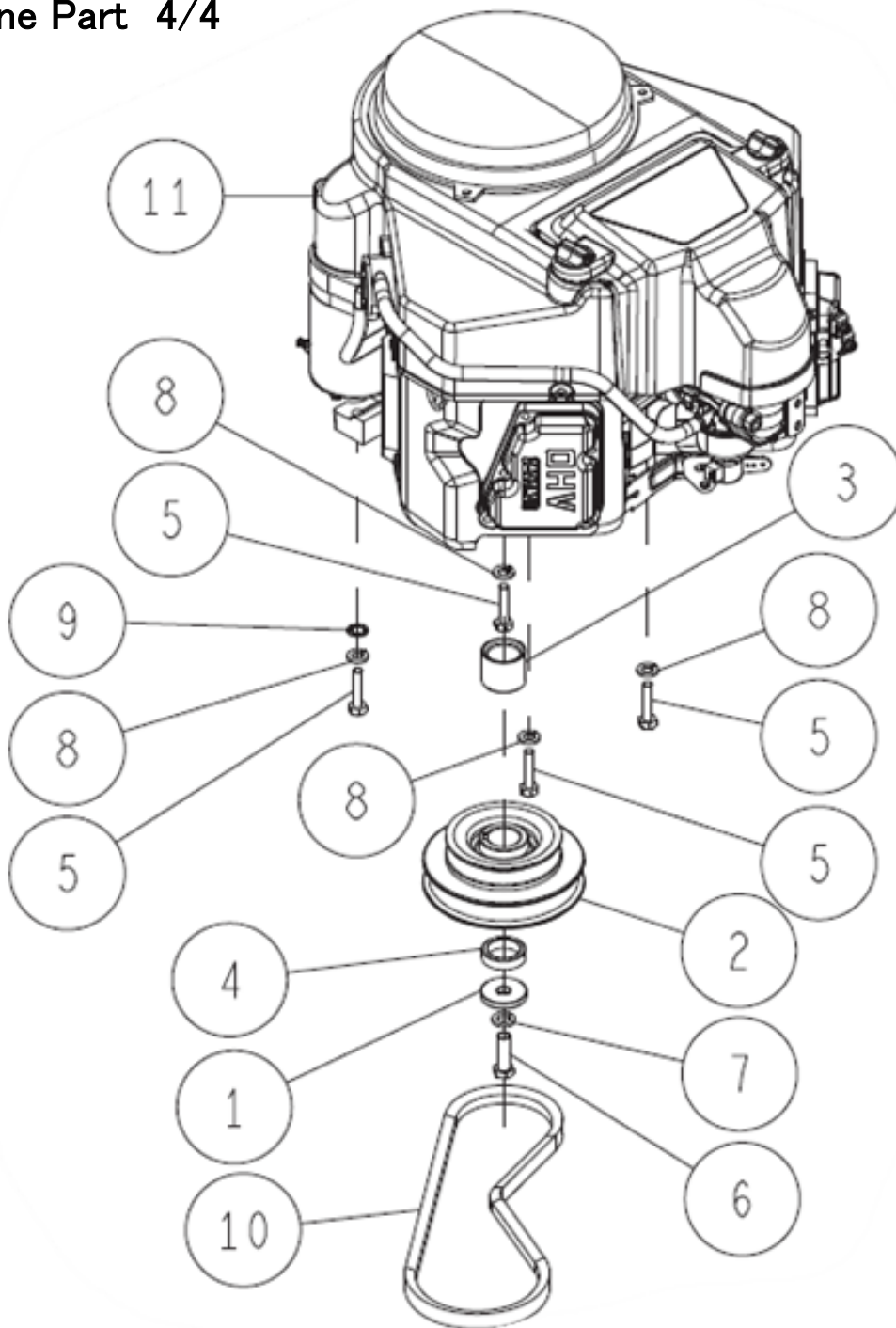
1	0312-40500	Muffler Cover CMP	1	1	
2	0312-77300	Harness (K)	1	1	
3	0329-40600	Exhaust Pipe Cover (RMK150)	1	1	
4	89-1132-060122	Hexagonal Bolt (SW) M6*12	4	4	
5	89-1232-080202	Mini Hexagonal Bolt (SW) M8*20	2	2	
6	89-1711-060002	Flat Washer 6	4	4	
No.	Parts Number	Parts Name	RMK151/X	RMK150A	Remarks
			Q'ty		



1	80-1483-988-00	Hose Clip 17	4	4	
2	80-1792-988-00	Harness Clip 8	1	1	
3	0207-74900	Copper Packing 12.5*19*1.0	1	1	
4	0244-74500	Fuel Cock	1	1	
5	0312-44100	Oil Drain Assy (K)	1	1	O-ring P16 incl.
6	0322-70400	Fuel Hose 600L	1	1	
7	0322-70500	Fuel Hose 270L	1	1	
8	89-1233-080162	Mini Hexagonal Bolt (PWSW) M8*16	1	1	
9	89-1233-080202	Mini Hexagonal Bolt (PWSW) M8*20	1	1	
10	89-1251-120152	Flange Mini Hexagonal Bolt M12*15	1	1	
-	0322-74000	Fuel Cock Assy (K)	1	1	1 × 2 Pcs、4、7
-	0322-72500	Fuel Hose 270L & Clip	1	1	1 × 2 Pcs、7
-	0322-72400	Fuel Hose 600L & Clip	1	1	1 × 2 Pcs、6
No.	Parts Number	Parts Name	RMK151/X	RMK150A	Remarks
			Q'ty		



1	0207-76300	Nut UNF 1/4	1	1	
2	0312-40100	Muffler	1	1	
3	0312-40200	Exhaust Pipe CMP (FS651V)	1	1	
4	0312-70500	Muffler Band	1	1	
5	89-1233-080202	Mini Hexagonal Bolt (PWSW) M8*20	2	2	
6	89-1611-080042	Mini Hexagonal Nut M8	4	4	
7	89-1750-060002	Spring Washer 6	1	1	
8	89-1750-080002	Spring Washer 8	4	4	
No.	Parts Number	Parts Name	RMK151/X	RMK150A	Remarks
			Q'ty		



1	80-1487-516-00	Washer 11*40*6	1	1	
2	0221-40400	Engine Pulley	1	1	
3	0244-41100	Engine Collar	1	1	
4	0244-41200	Sub Engine Collar (21HP)	1	1	
5	0312-42100	Hexagonal Bolt (8T) UNC 3/8-16*38	4	4	
6	83-1437-115-00	Hexagonal Bolt (8T) UNF7/16*35	1	1	
7	83-1493-300-00	Spring Washer 7/16	1	1	
8	89-1750-100002	Spring Washer 10	4	4	
9	89-1812-100002	Toothed Washer (inside) 10	1	1	
10	89-6123-003202	V Belt SB-32 (W800)	1	1	
11	9021-0110	Kawasaki Engine FS651V-GG81	1	1	
No.	Parts Number	Parts Name	RMK151/X	RMK150A	Remarks
			Q'ty		



エンジンオイル	エアリーフ
100cc	100cc

0294-72910

0310-76110



0342-70500

0289-72110

0342-70400



0349-78200

0342-70700



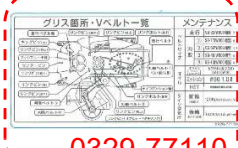
0262-81210



0308-75310

公道乗車禁止

0334-80910

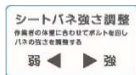


0329-77110



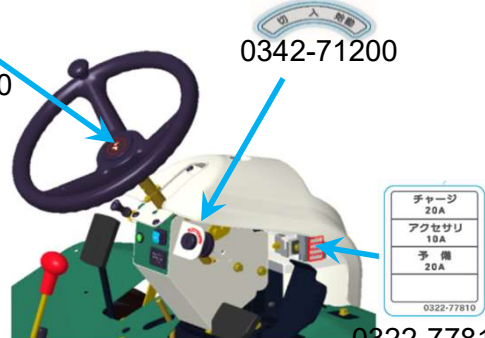
0352-76600

0342-71200

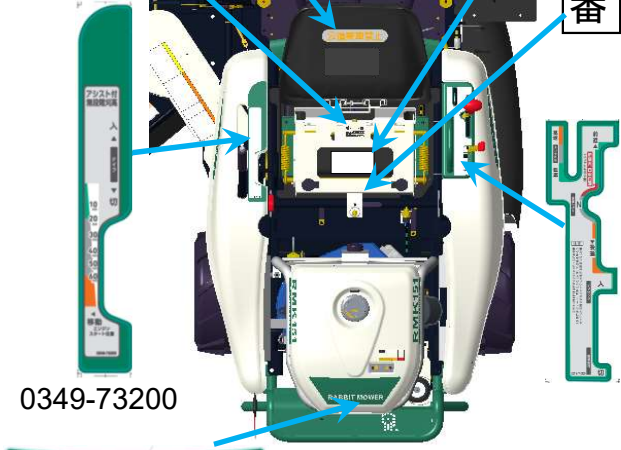


0342-71300

機番



0322-77810

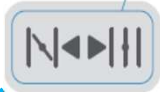
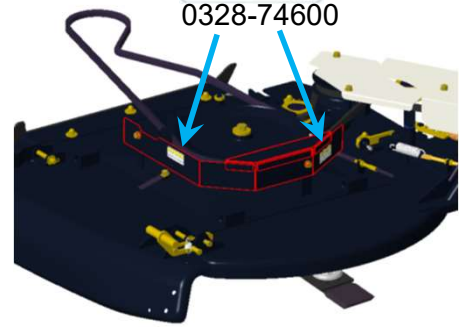


0349-73200



0343-70400

0328-74600



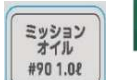
0329-77510



0328-74600



0334-71800



0342-71100



0215-70410

0328-74600



0349-74300



0329-76110

0322-77900

