

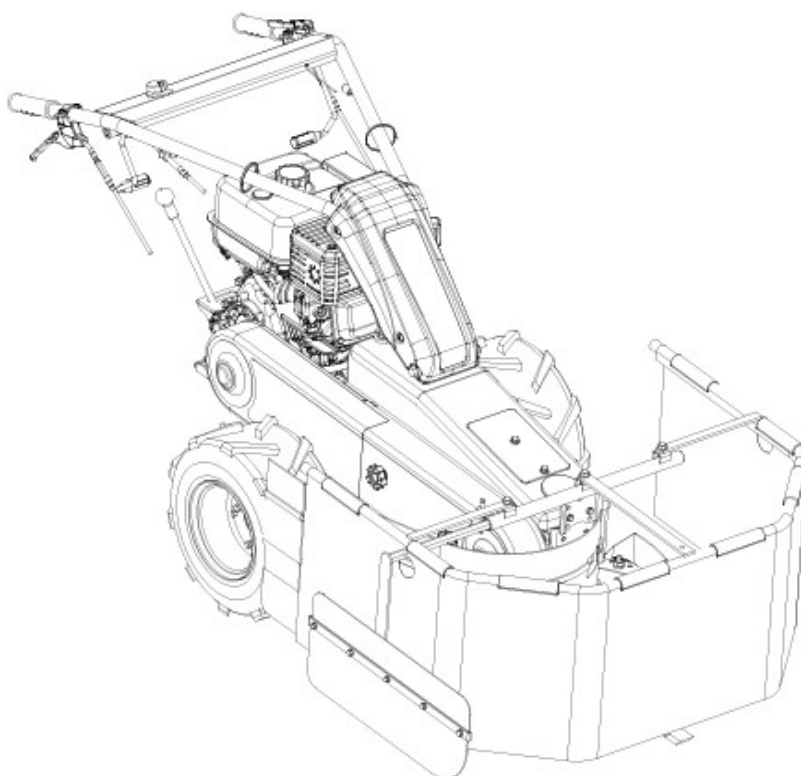
OREC

Issue No. BM93-00

# Parts Catalogue

## Pasture Mower

### BM93

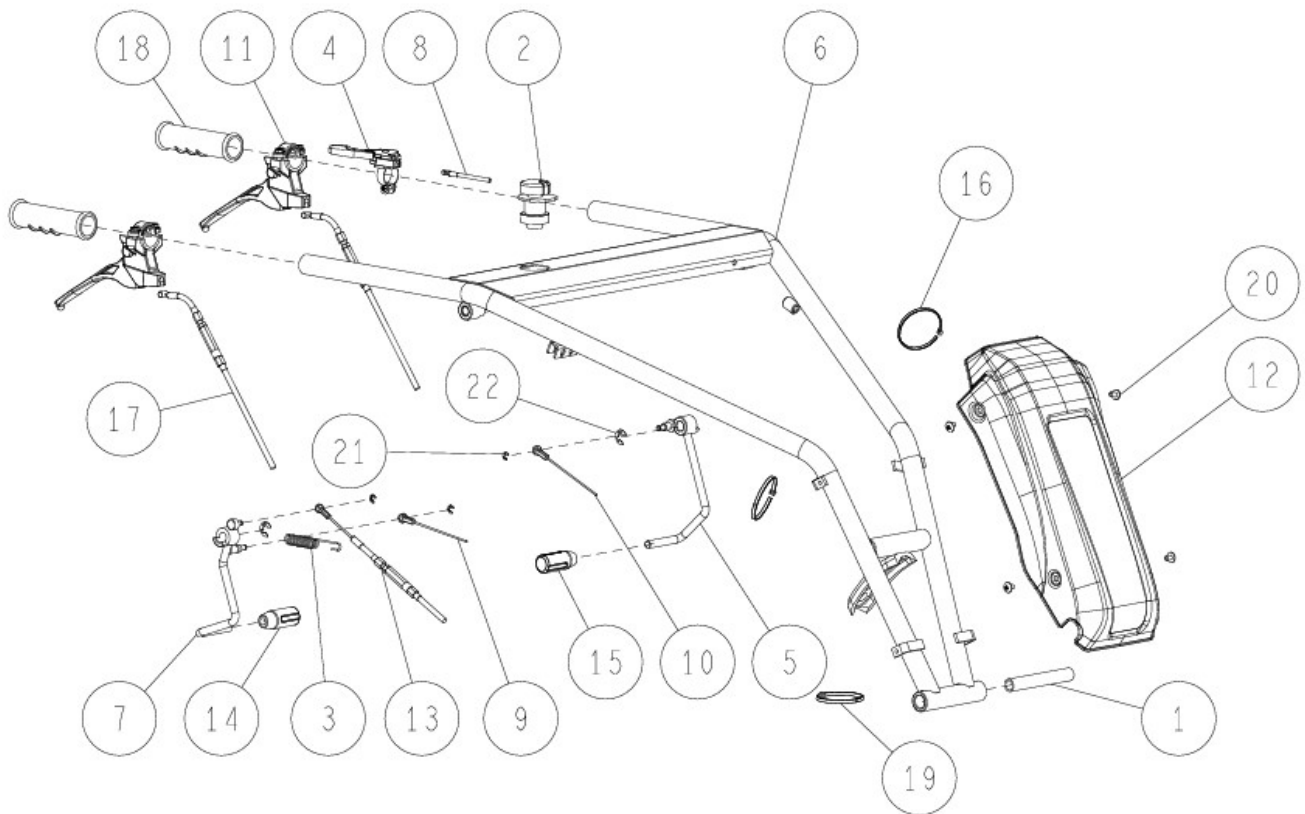


#### 《Contentents》

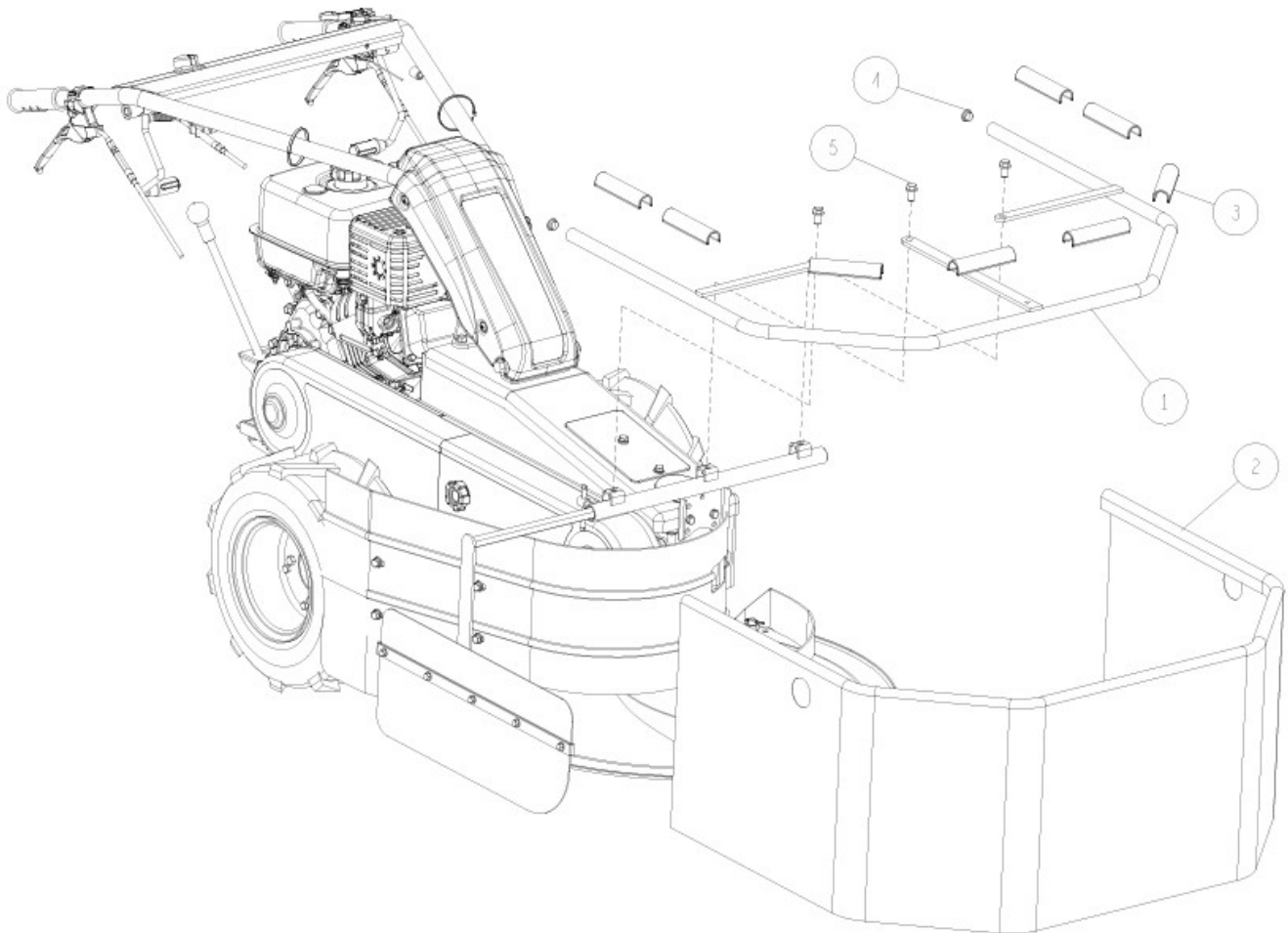
Handle Part .....	1
Frame Part .....	2
Engine Part .....	10
Mission Part .....	11
Rotary Part .....	16
Label .....	19

OREC CO., LTD.

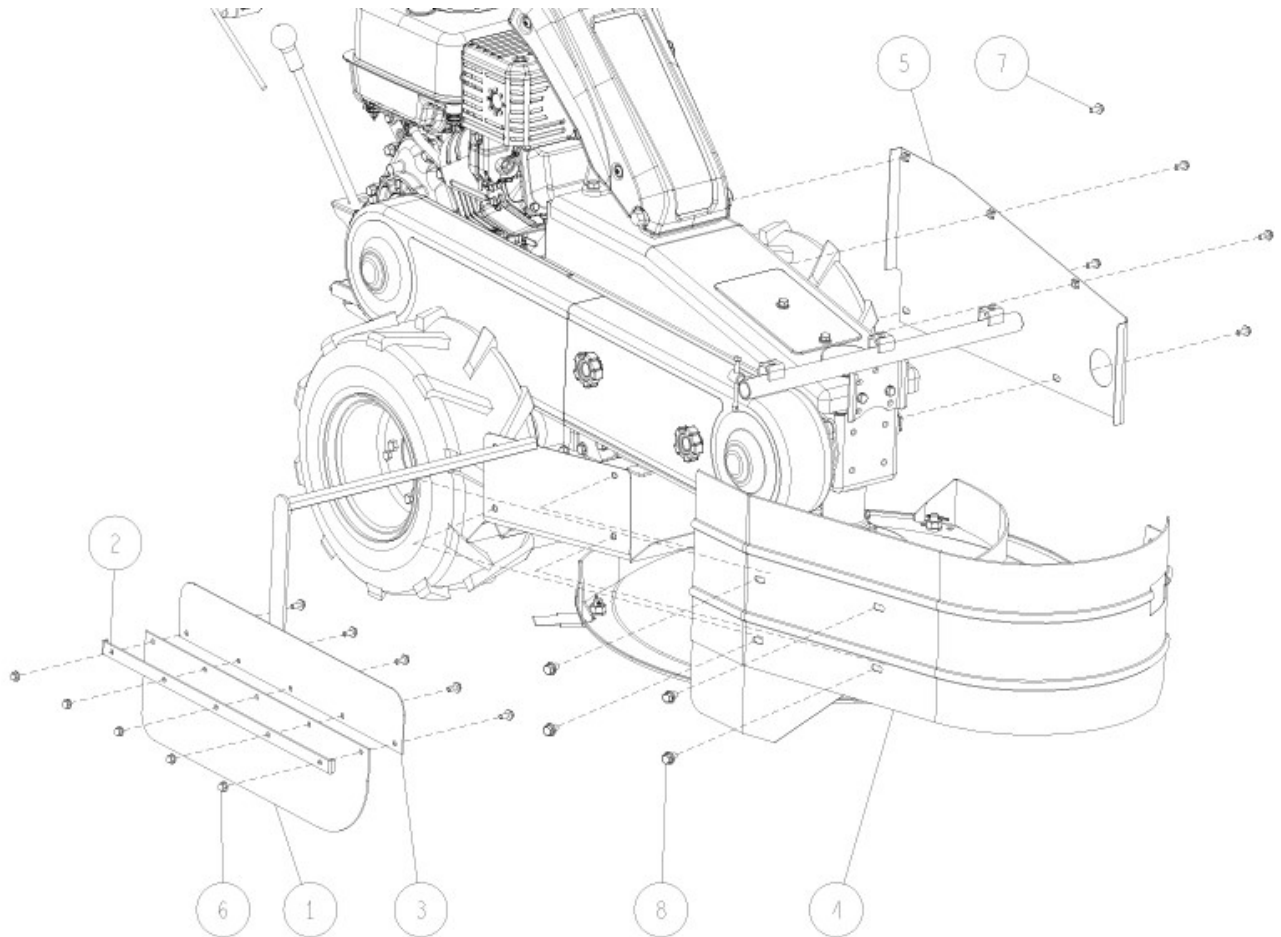
2022/11/22



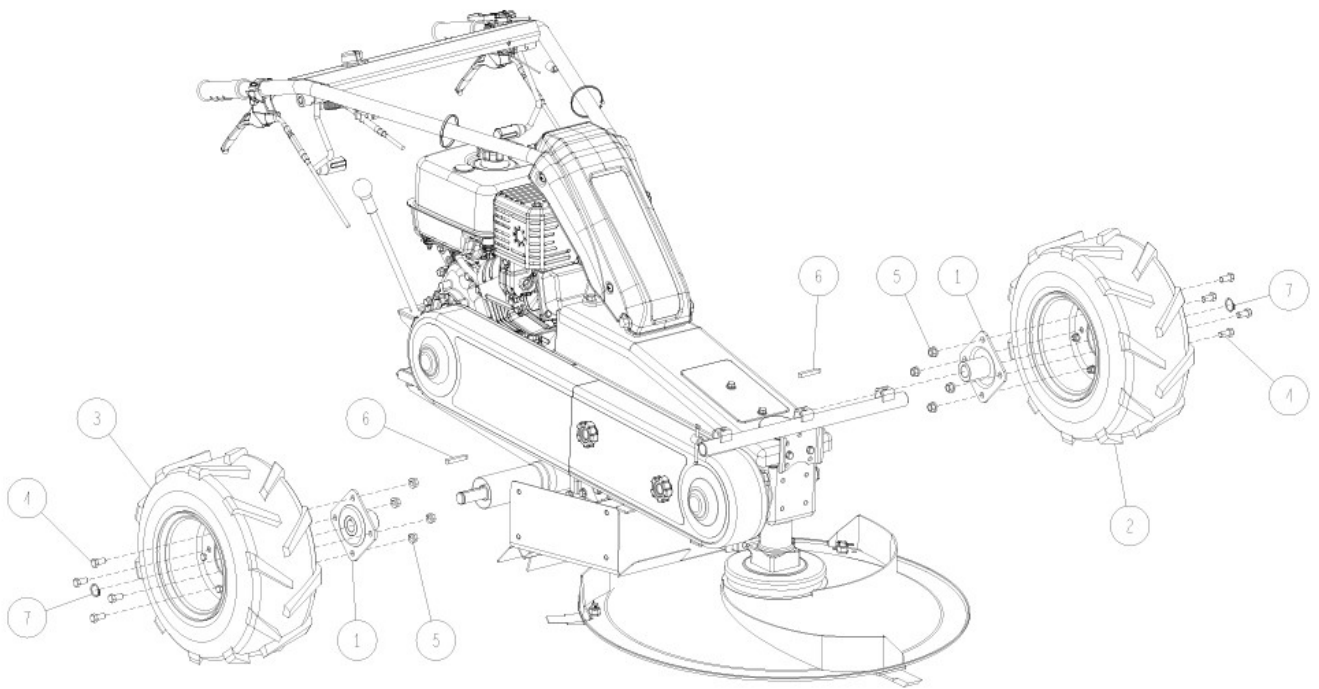
-	0253-76110	Throttle Wire Assy	1	4と8部品の組付品
1	80-1210-222-00	Handle Setting Collar	1	
2	0028-70300	Engine Stop Switch Assy	1	
3	0211-20600	Brake Spring	1	
4	0226-70400	Throttle Lever 27 (Resin)	1	
5	0253-15100	Knife Tension Lever	1	
6	0253-17101	Handle CMP (White)	1	
7	0253-17200	Drive Tension Lever CMP	1	
8	0223-70600	Wire, Throttle	1	
9	0253-71400	Drive Clutch Wire	1	
10	0253-71500	Rotary Clutch Wire	1	
11	0253-77100	Lever (170-φ27.2)	2	
12	0285-78200	Handle Bonnet	1	
13	0304-70610	Brake Wire	1	
14	0334-75100	Lever Grip (Black) 10	1	
15	0334-75200	Lever Grip (Red) 10	1	
16	0341-71200	Wire Band 200L	2	
17	0913-71210	Side Clutch Wire	2	
18	83-1560-414-00	Handle Grip 27	2	
19	83-1711-719-00	Wire Band 200L	1	
20	89-1159-060108	Truss Mini Screw M6*10	4	
21	89-2521-000050	E Type Ring 5	3	
22	89-2521-000100	E Type Ring 10	2	
No.	Parts Code No.	Parts Name	Q'ty	Remarks



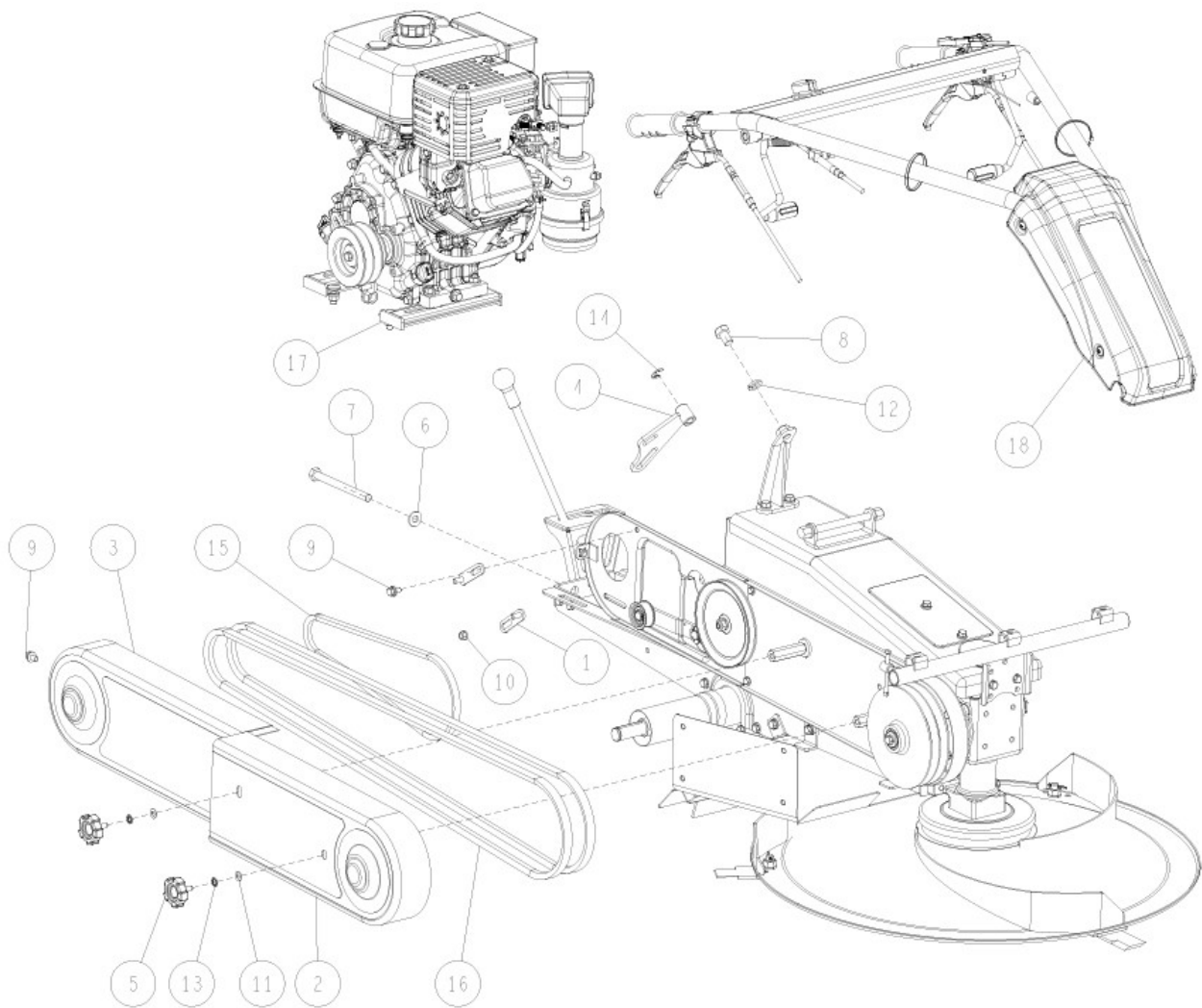
1	80-1565-764-0H	Protective Seat Bracket (Metallic Grey)	1	
2	80-1565-765-00	Protective Seat	1	
3	80-1565-766-00	Protective Seat Packer	8	
4	0201-72300	Stopper B-34	2	
5	89-1232-100202	Mini Hexagonal Bolt (SW) M10*20	3	
No.	Parts Code No.	Parts Name	Q'ty	Remarks



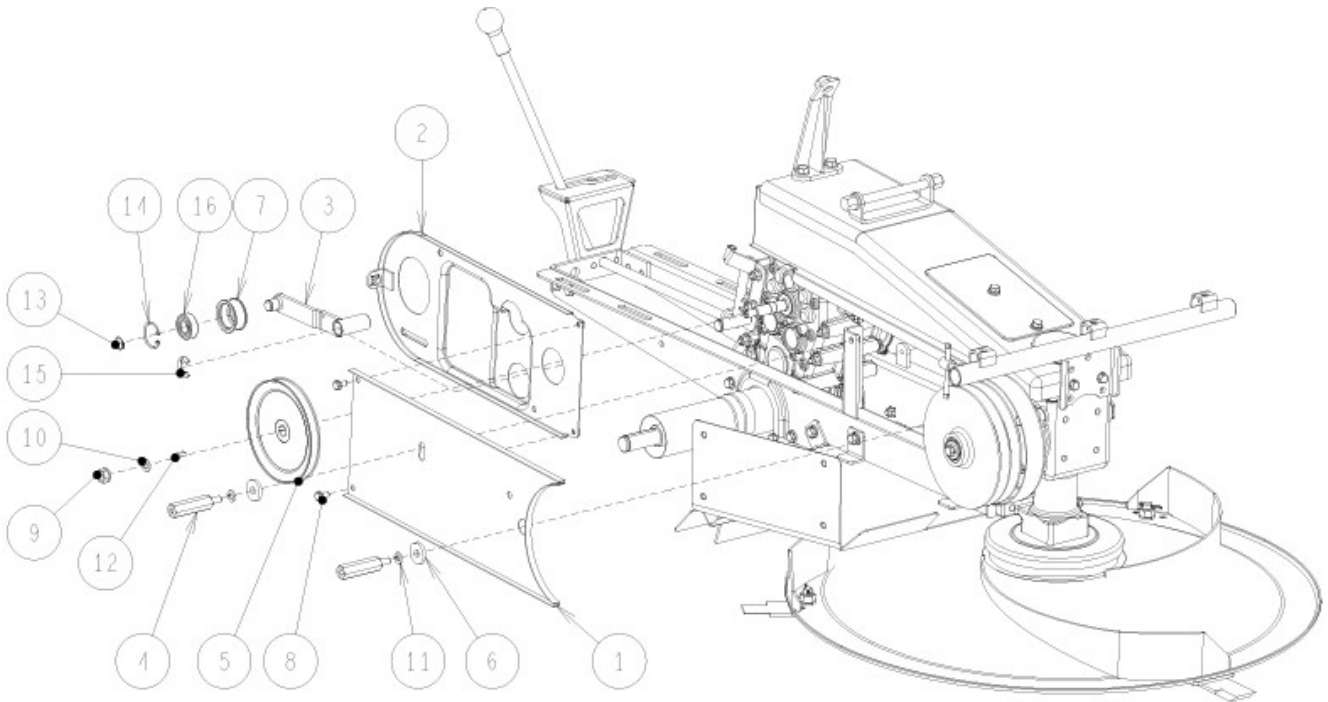
1	80-1510-773-00	Grass Collecting Plate Flapper	1	
2	80-1510-774-0H	Flapper Holder (Metallic Grey)	1	
3	80-1560-763-0H	Collection Plate CMP (Metallic Grey)	1	
4	80-1565-761-12	Guide Plate (Red)	1	YB
	80-1565-761-16	Guide Plate (Blue)	1	IA
	80-1565-761-1G	Guide Plate (Green)	1	OR
5	0253-60112	Side Cover (Red)	1	YB
	0253-60116	Side Cover (Blue)	1	IA
	0253-6011G	Side Cover (Green)	1	OR
6	89-1581-060042	Flange Cap Nut M6	5	
7	89-1137-060152	Hexagonal Bolt (PW) M6*15	10	
8	89-1233-080162	Mini Hexagonal Bolt (PWSW) M8*16	4	
No.	Parts Code No.	Parts Name	Q'ty	Remarks



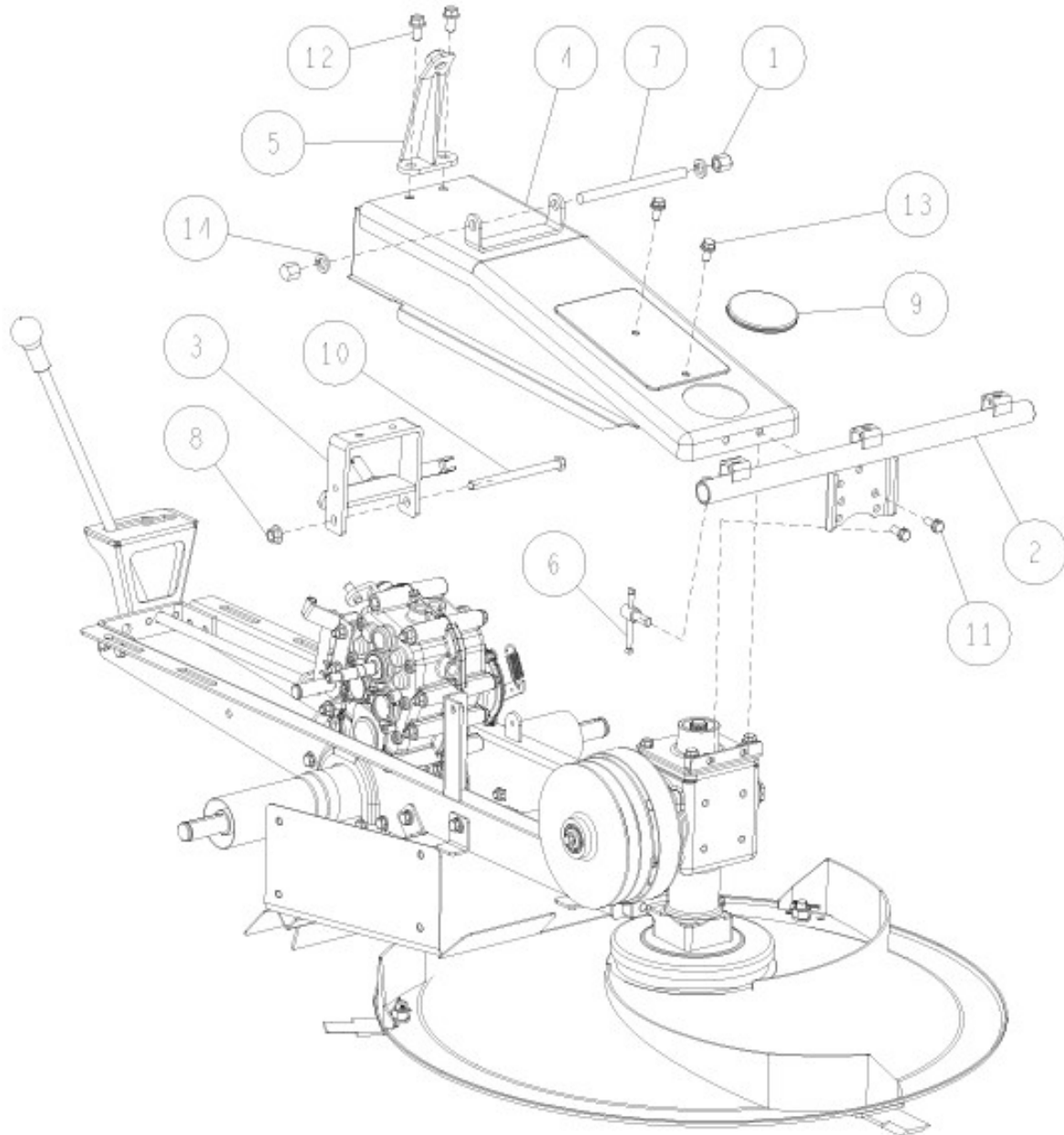
1	80-1565-413-11	Wheel Boss (White)	2	
2	80-1751-411-00	Tire (L) Assy (16*7.00-8)	1	
3	80-1751-412-00	Tire (R) Assy (16*7.00-8)	1	
4	89-1211-100202	Mini Hexagonal Bolt M10*20	8	
5	89-1543-100002	Mini Hexagonal Nut (SW) M10	8	
6	89-2150-070500	Key 7*50 (round)	2	
7	89-2511-000220	Snap Ring (S22)	2	
No.	Parts Code No.	Parts Name	Q'ty	Remarks



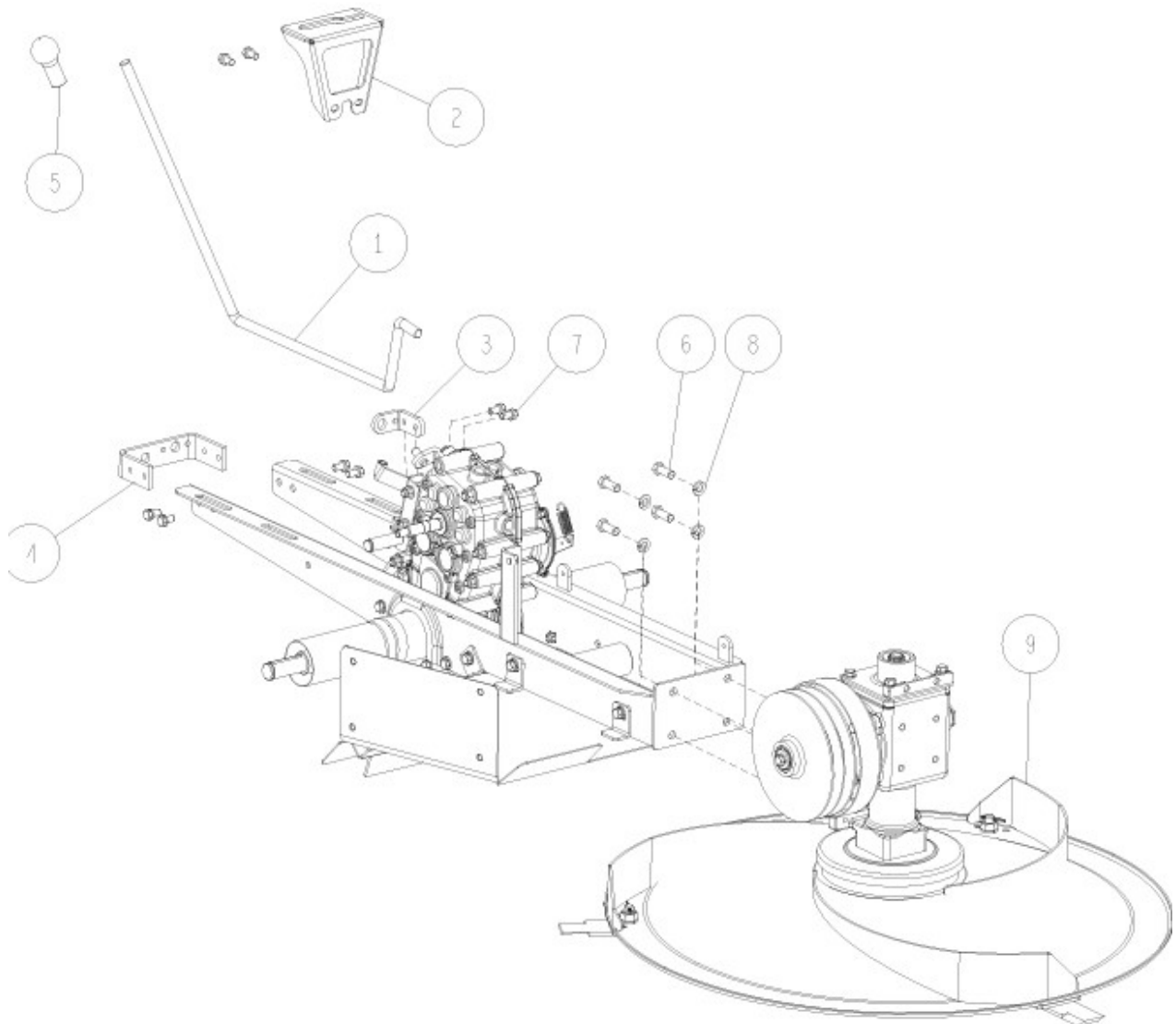
1	80-1565-275-01	Belt Holder (White)	2	
2	80-1565-502-01	Front Belt Case (Out) (White)	1	
3	80-1565-504-01	Rear Belt Case (Out) (White)	1	
4	0253-11501	Change Lever Arm CMP (White)	1	
5	83-1560-101-00	Knob Bolt M8*15	2	
6	83-1565-328-00	Washer 12*25*2.3	1	
7	89-1111-121407	Hexagonal Bolt M12*140	1	
8	89-1111-140202	Hexagonal Bolt M14*20	1	
9	89-1233-080162	Mini Hexagonal Bolt (PWSW) M8*16	2	
10	89-1543-080002	Mini Hexagonal Nut (SW) M8	1	
11	89-1711-080002	Flat Washer 8	2	
12	89-1750-140002	Spring Washer 14	1	
13	89-1812-080002	Toothed Washer (inside) 8	2	
14	89-2521-000120	E Type Ring 12	1	
15	89-6122-003801	V Belt SAR-38	1	
16	89-6123-008300	V Belt LB-83	2	
17	-	エンジン部	1	P10
18	-	ハンドル部	1	P1
No.	Parts Code No.	Parts Name	Q'ty	Remarks



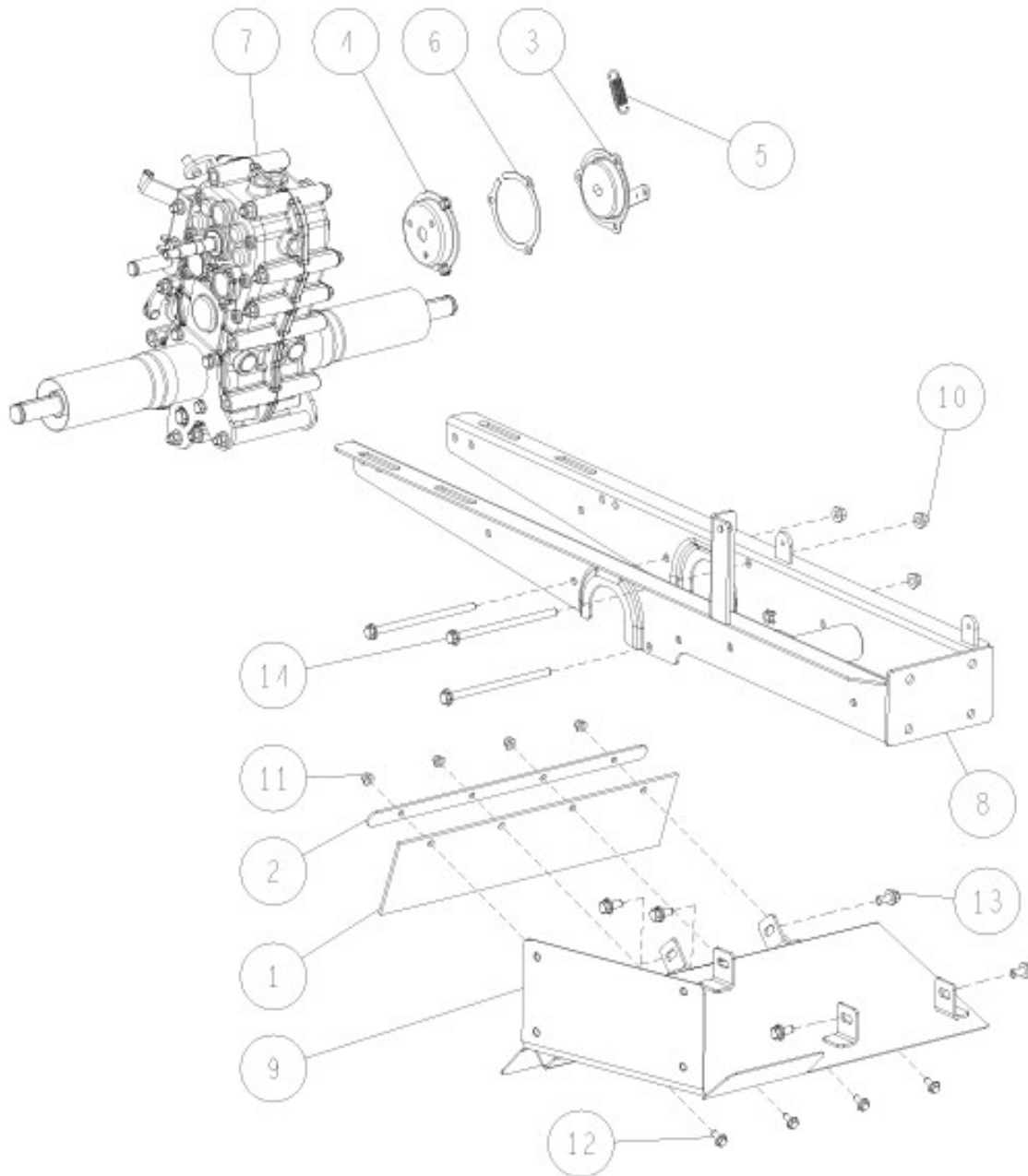
1	80-1565-501-01	Front Belt Case (In) (White)	1	
2	80-1565-503-01	Rear Belt Case (In) (White)	1	
3	80-1565-542-01	Driving Tension Arm Assy (White)	1	
4	80-1565-553-10	Cover Stay M8	2	
5	0332-01201	Transmission Pulley (White)	1	
6	83-1020-323-00	Washer 10*30*4.5	2	
7	83-1420-754-00	Tension Pulley	1	
8	89-1137-060152	Hexagonal Bolt (PW) M6*15	2	
9	89-1541-100002	Hexagonal Nut (SW) M10	1	
10	89-1711-100002	Flat Washer 10*18*1.6	1	
11	89-1750-080002	Spring Washer 8	2	
12	89-2150-050200	Key 5*20 (round)	1	
13	89-2511-000150	Snap Ring (S15)	1	
14	89-2512-000350	Snap Ring (R35)	1	
15	89-2521-000150	E Type Ring 15	1	
16	89-3115-062024	Bearing 6202 2RS	1	
No.	Parts Code No.	Parts Name	Q'ty	Remarks



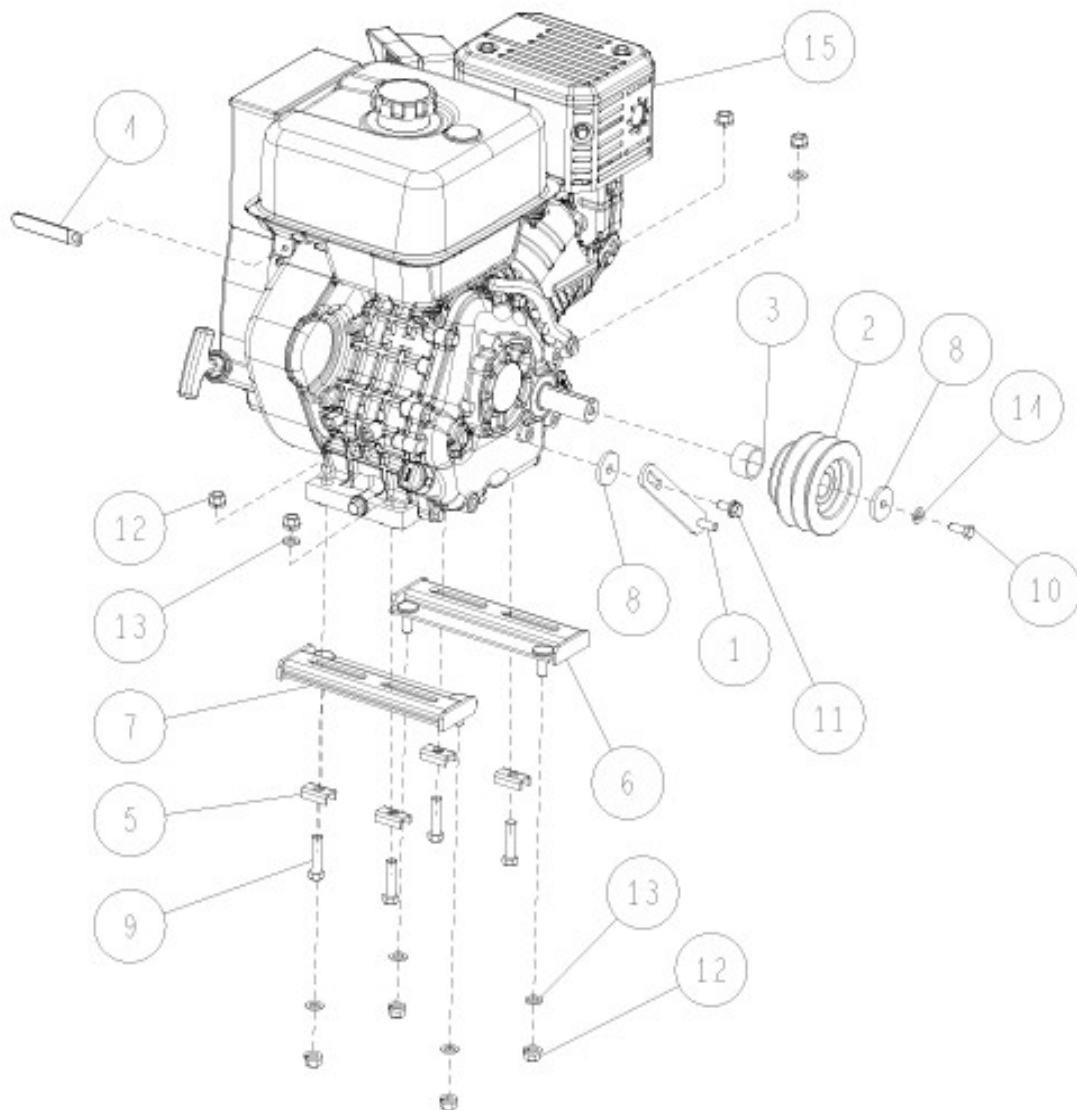
1	80-1310-228-00	Handle Fix Nut	2	
2	80-1565-758-1H	Grass Collecting Plate Bracket (Metallic Gr	1	
3	0251-1130H	Change Plate (Metallic Grey)	1	
4	0253-27102	Under Bonnet CMP (Red)	1	
	0253-27106	Under Bonnet CMP (Blue)	1	
	0253-2710G	Under Bonnet CMP (Green)	1	
5	0253-27201	Handle UP/Down Stopper CMP (White)	1	
6	83-1110-485-00	Swivel Handle M10*25	1	
7	83-1210-133-00	Setting Bolt M12*160	1	
8	83-1493-255-00	Flange Lock Nut M10 (slender)	1	
9	83-1565-676-00	Black Cap 78	1	
10	89-1213-101302	Mini Hexagonal Bolt (8T) M10*130	1	
11	89-1232-080202	Mini Hexagonal Bolt (SW) M8*20	2	
12	89-1232-100202	Mini Hexagonal Bolt (SW) M10*20	2	
13	89-1233-080202	Mini Hexagonal Bolt (PWSW) M8*20	2	
14	89-1750-120002	Spring Washer 12	2	
No.	Parts Code No.	Parts Name	Q'ty	Remarks



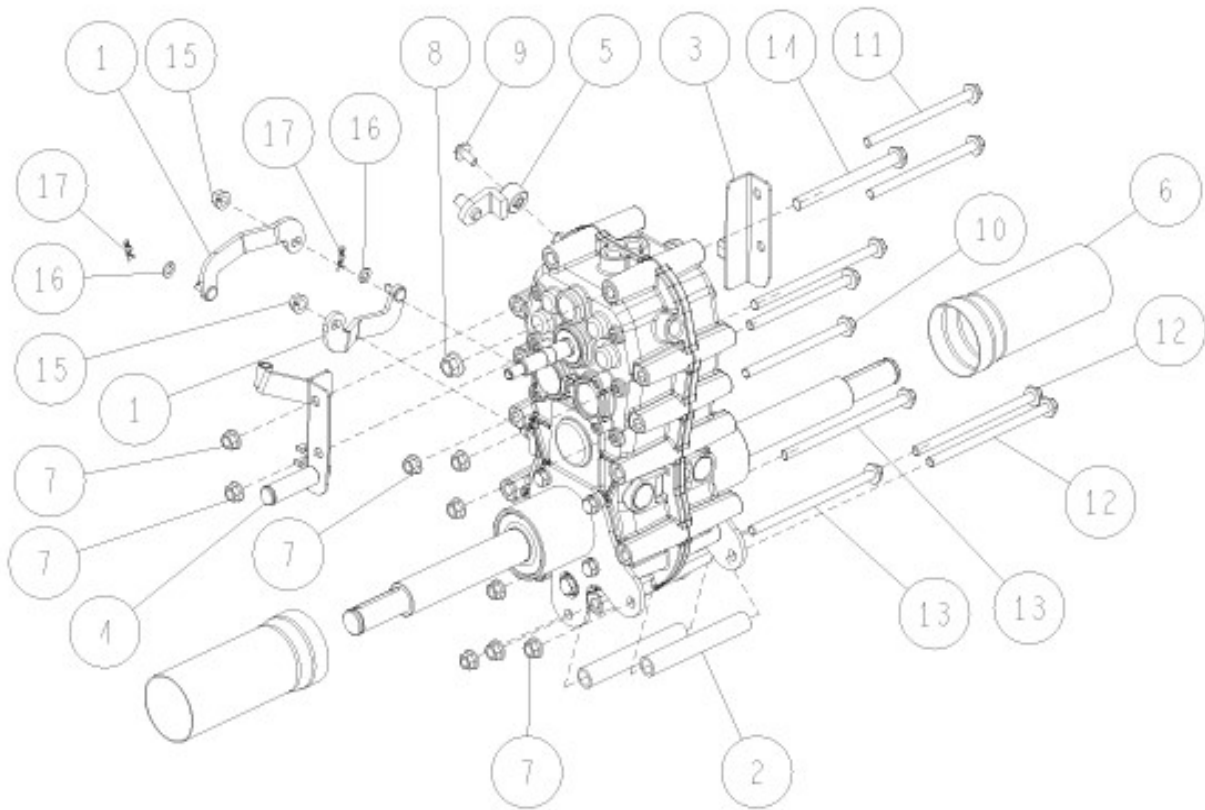
1	0253-16100	Change Lever CMP	1	
2	0253-2241H	Change Guide CMP (Metallic Grey)	1	
3	0253-2250H	Change RodSetting (Metallic Grey)	1	
4	0253-2261H	Rear Bracket (Metallic Grey)	1	
5	0253-79100	Lever Grip 12.7	1	
6	89-1213-100252	Mini Hexagonal Bolt (8T) M10*25	4	
7	89-1232-080162	Mini Hexagonal Bolt (SW) M8*16	8	
8	89-1750-100002	Spring Washer 10	4	
9	-	□-タリ一部	1	P16~
No.	Parts Code No.	Parts Name	Q'ty	Remarks



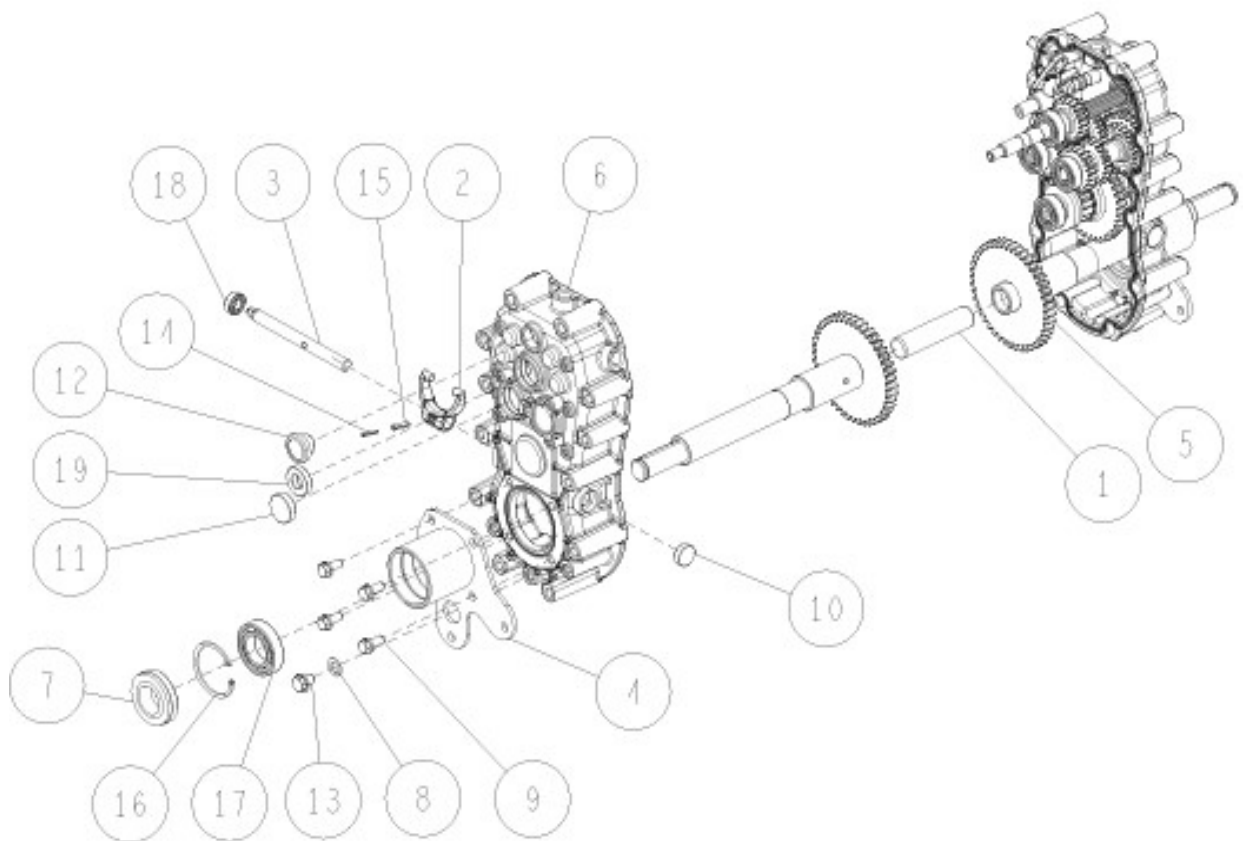
1	80-1565-775-00	Rear Flapper	1	
2	80-1565-776-0H	Flapper Holder (Metallic Grey)	1	
3	80-1614-310-00	Brake Assy	1	
4	80-1614-312-01	Brake Cover CMP (White)	1	
5	80-1614-315-00	Return Spring	1	
6	0211-31800	Brake Packing (Large)	1	
7	0253-07000	Mission ASSY	1	P11~P15
8	0253-2010H	Frame (Metallic Grey)	1	
9	0253-6110H	Stone Guard (Metallic Grey)	1	
10	83-1484-255-00	Lock Nut ZUF M8	3	
11	89-1581-060042	Flange Cap Nut M6	4	
12	89-1137-060152	Hexagonal Bolt (PW) M6*15	4	
13	89-1233-080202	Mini Hexagonal Bolt (PWSW) M8*20	5	
14	89-1253-081453	Flange Mini Hexagonal Bolt (8T) M8*145	3	
No.	Parts Code No.	Parts Name	Q'ty	Remarks



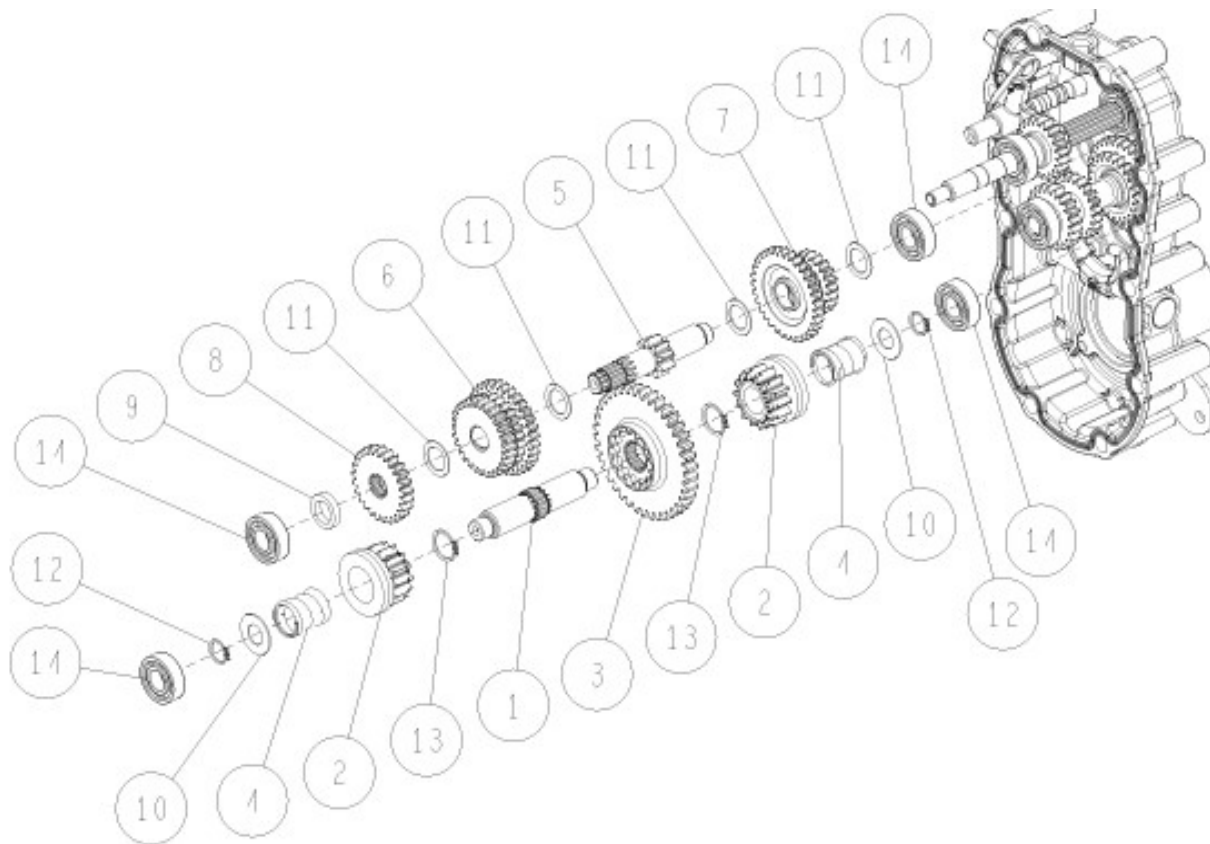
1	80-1565-506-01	Inside Stay (White)	1	
2	80-1565-513-00	Engine Pulley 69-101	1	
3	80-1565-514-00	Engine Collar 16L	1	
4	80-1792-988-00	Harness Clip 8	1	
5	0211-31100	Whirl Stop Plate A10 (H14)	4	
6	0253-2110H	Engine Base (Front) (Metallic Grey)	1	
7	0253-2120H	Engine Base (Rear) (Metallic Grey)	1	
8	83-1565-315-00	Washer 8*36*4.5	2	
9	89-1211-100402	Mini Hexagonal Bolt M10*40	4	
10	89-1213-080202	Mini Hexagonal Bolt (8T) M8*20	1	
11	89-1233-080202	Mini Hexagonal Bolt (PWSW) M8*20	1	
12	89-1543-100002	Mini Hexagonal Nut (SW) M10	8	
13	89-1711-100002	Flat Washer 10*18*1.6	6	
14	89-1750-080002	Spring Washer 8	1	
15	9015-1920	GB290LN-453	1	
No.	Parts Code No.	Parts Name	Q'ty	Remarks



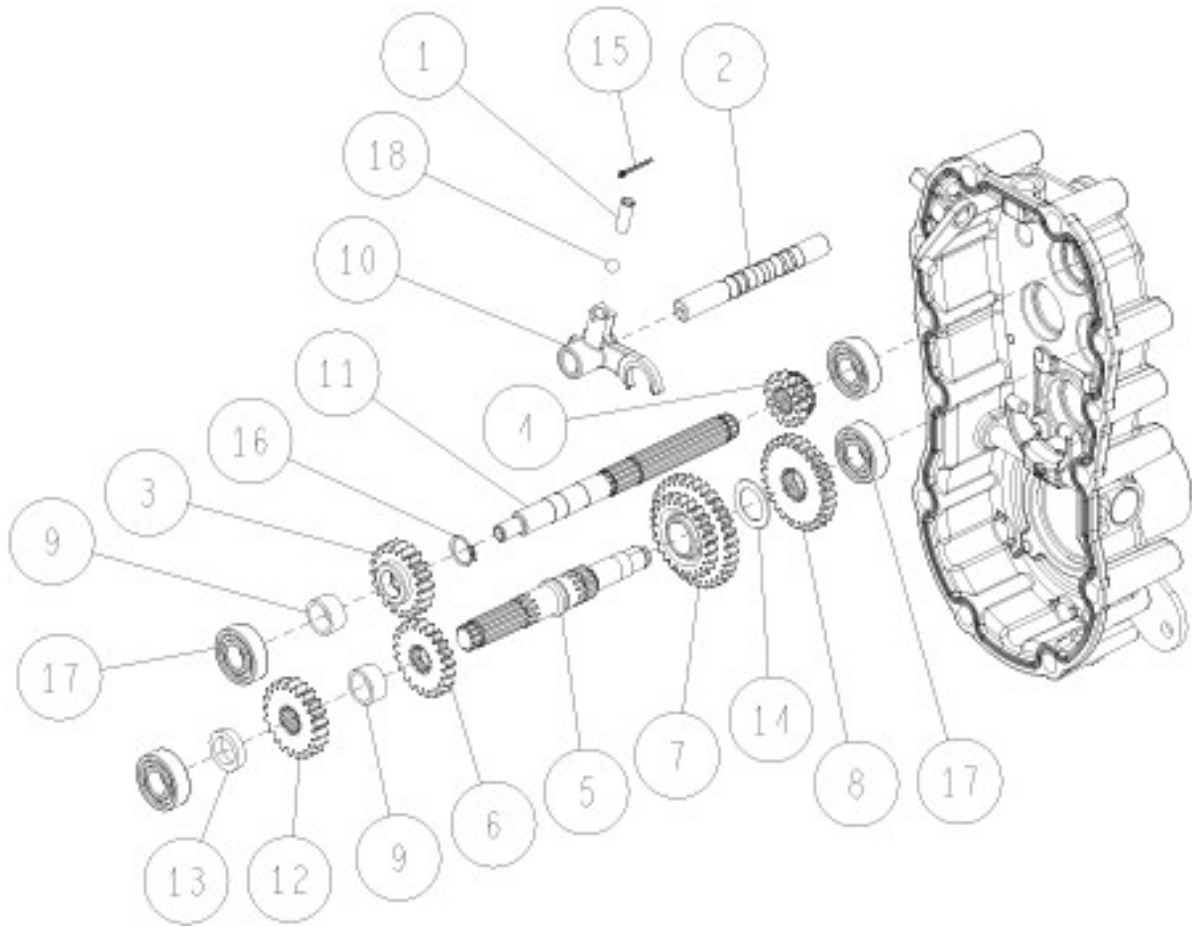
1	80-1565-153-0H	Side Clutch Arm (Metallic Grey)	2	
2	80-1565-159-0H	Shaft BB Reinforce Pipe (Metallic Grey)	2	
3	80-1565-197-0H	Side Clutch Wire Stopper (L) (Metallic Grey)	1	
4	80-1565-198-0H	Side Clutch Wire Holder (Right) (Metallic Grey)	1	
5	0251-0430H	Change Arm CMP (Metallic Grey)	1	
6	0253-70500	Axle Cover Pipe	2	
7	83-1484-255-00	Lock Nut ZUF M8	9	
8	83-1493-255-00	Flange Lock Nut M10 (slender)	1	
9	83-1565-111-00	Hexagonal Bolt (with Big Washer) M6*16	1	
10	89-1253-081153	Flange Mini Hexagonal Bolt (8T) M8*115	2	
11	89-1253-081203	Flange Mini Hexagonal Bolt (8T) M8*120	2	
12	89-1253-081353	Flange Mini Hexagonal Bolt (8T) M8*135	2	
13	89-1253-081403	Flange Mini Hexagonal Bolt (8T) M8*140	3	
14	89-1254-101153	Flange Mini Hexagonal Bolt M10*115 P=1.25	1	
15	89-1543-080002	Mini Hexagonal Nut (SW) M8	2	
16	89-1711-060002	Flat Washer 6	2	
17	89-2132-060002	Snap Pin 6 (with stopper)	2	
No.	Parts Code No.	Parts Name	Q'ty	Remarks



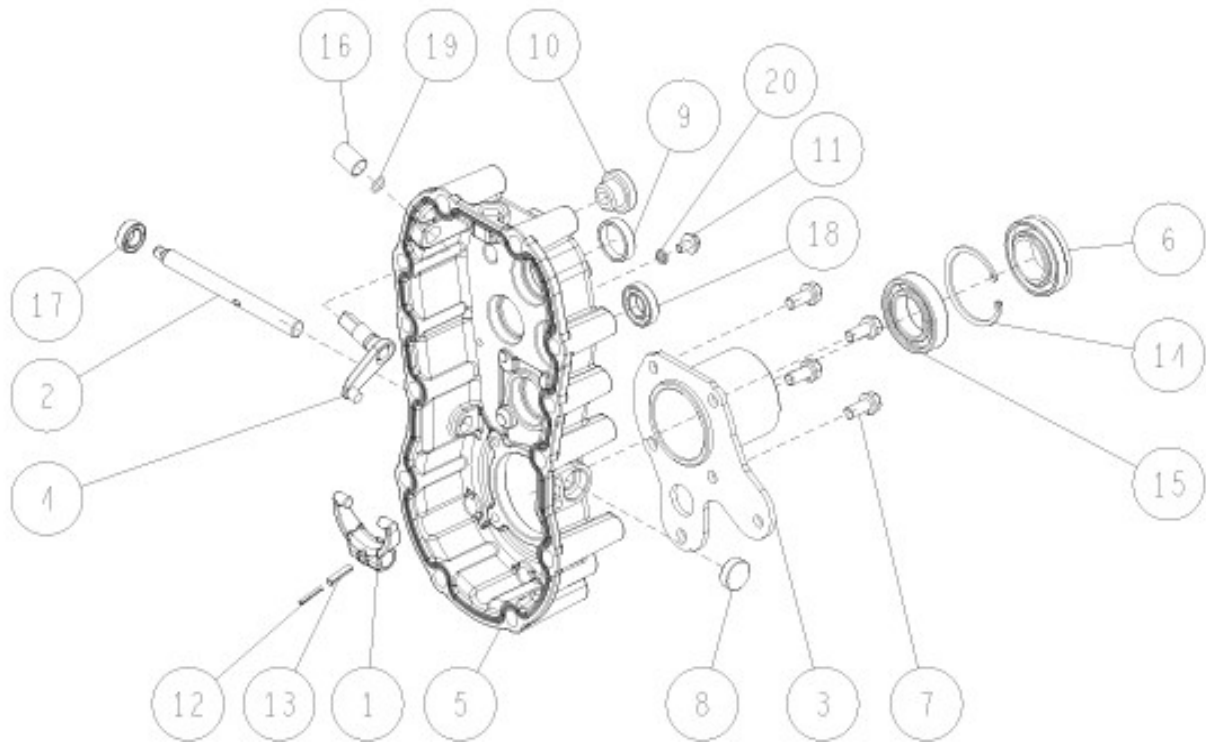
1	80-1310-150-10	Shaft Pin	1	
2	80-1415-114-00	Side Clutch Fork	1	
3	80-1425-112-00	Driving Clutch Fork Shaft	1	
4	80-1565-156-0H	Shaft BB Case (R) (Metallic Grey)	1	
5	0253-02700	Axle CMP	2	
6	0285-00200	Transmission Case (R)	1	
7	0297-08000	Oil Seal AP 35.55.16	1	
8	83-1020-349-00	Copper Packing 10.5*18*1.6	1	
9	83-1415-127-00	Seal Bolt (SW) M8*20	4	
10	83-1415-671-00	Blind Cover 22	1	
11	83-1415-672-00	Blind Cover 30	1	
12	83-1517-685-00	Oil Cap 20	1	
13	89-1251-100122	Flange Mini Hexagonal Bolt M10*12	1	
14	89-2111-030020	Spring Pin 3*20	1	
15	89-2111-050020	Spring Pin 5*20	1	
16	89-2512-000550	Snap Ring (R55)	1	
17	89-3111-060064	Bearing 6006	1	
18	89-5121-122207	Oil Seal UE 12.22.7	1	
19	89-5121-153007	Oil Seal UE 15.30.7	1	
No.	Parts Code No.	Parts Name	Q'ty	Remarks



1	80-1032-140-00	Side Clutch Shaft	1	
2	80-1032-141-00	Side Clutch Gear 14T	2	
3	80-1575-142-00	Side Clutch Gear 38T	1	
4	80-1575-162-00	Side Clutch Spring	2	
5	0223-01400	3rd Shaft	1	
6	0223-01600	3rd Shaft Gear 28T CMP	1	
7	0223-02100	3rd Shaft Gear 20T CMP	1	
8	0253-01500	3rd Shaft Gear 25T	1	
9	0253-02500	Collar 5.5L	1	
10	83-1633-362-10	Thrust Washer 15*30*1.2	2	
11	83-1830-368-00	Thrust Washer 18*26*1.0	4	
12	89-2511-000150	Snap Ring (S15)	2	
13	89-2511-000200	Snap Ring (S20)	2	
14	89-3111-062024	Bearing 6202	4	
No.	Parts Code No.	Parts Name	Q'ty	Remarks

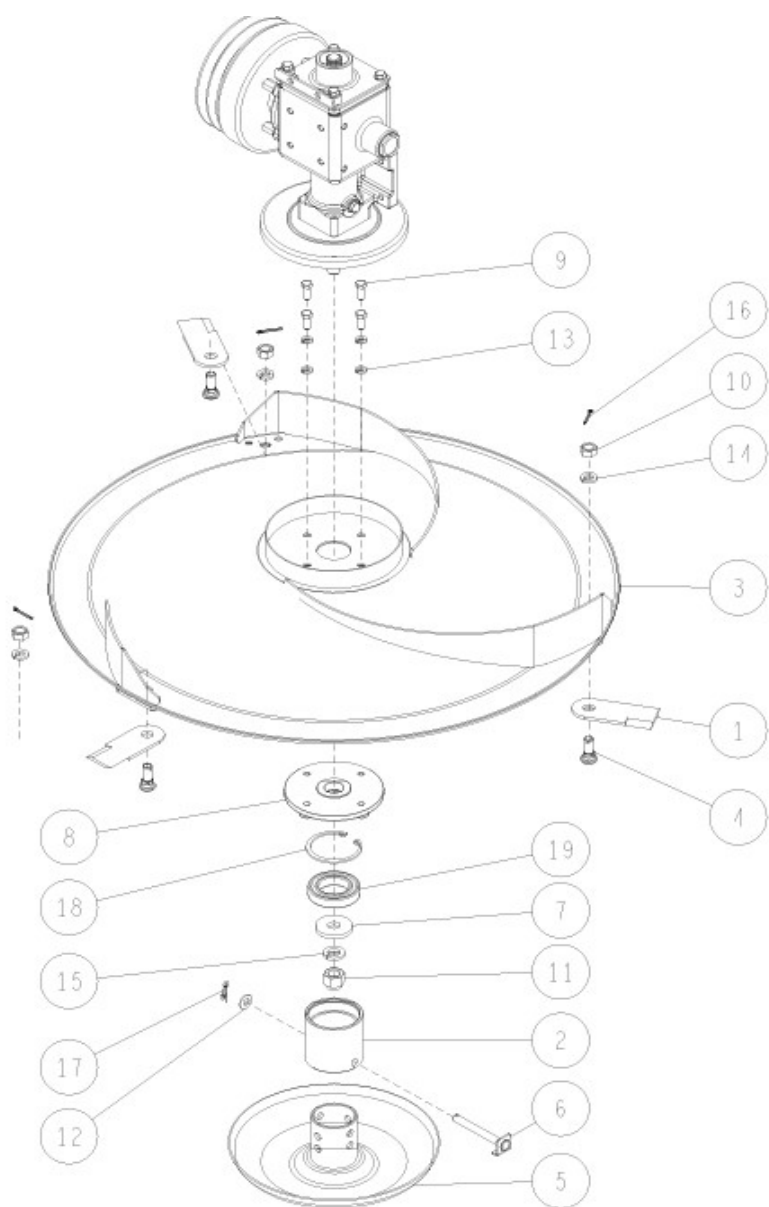


1	80-1310-138-00	Spring 1.4	1	
2	0223-00400	Shift Fork Shaft	1	
3	0223-00600	1st Shaft Gear 20T	1	
4	0223-00700	1st Shaft Shift Gear 14T	1	
5	0223-00800	2nd Shaft	1	
6	0223-01100	2nd Shaft Gear 21T	1	
7	0223-01200	Back Gear CMP	1	
8	0223-01300	2nd Shaft Gear 28T	1	
9	0223-02400	Collar 11L	2	
10	0251-00300	Shift Folk	1	
11	0223-00500	1st Shaft	1	
12	0253-00910	2nd Shaft Gear 21T	1	
13	0253-02500	Collar 5.5L	1	
14	83-1310-371-00	Thrust Washer 20*30*1.0	1	
15	89-2120-200202	Split Pin 2*20	1	
16	89-2511-000160	Snap Ring (S16)	1	
17	89-3111-062024	Bearing 6202	4	
18	89-3410-075000	Steel Ball 7.5	1	
No.	Parts Code No.	Parts Name	Q'ty	Remarks



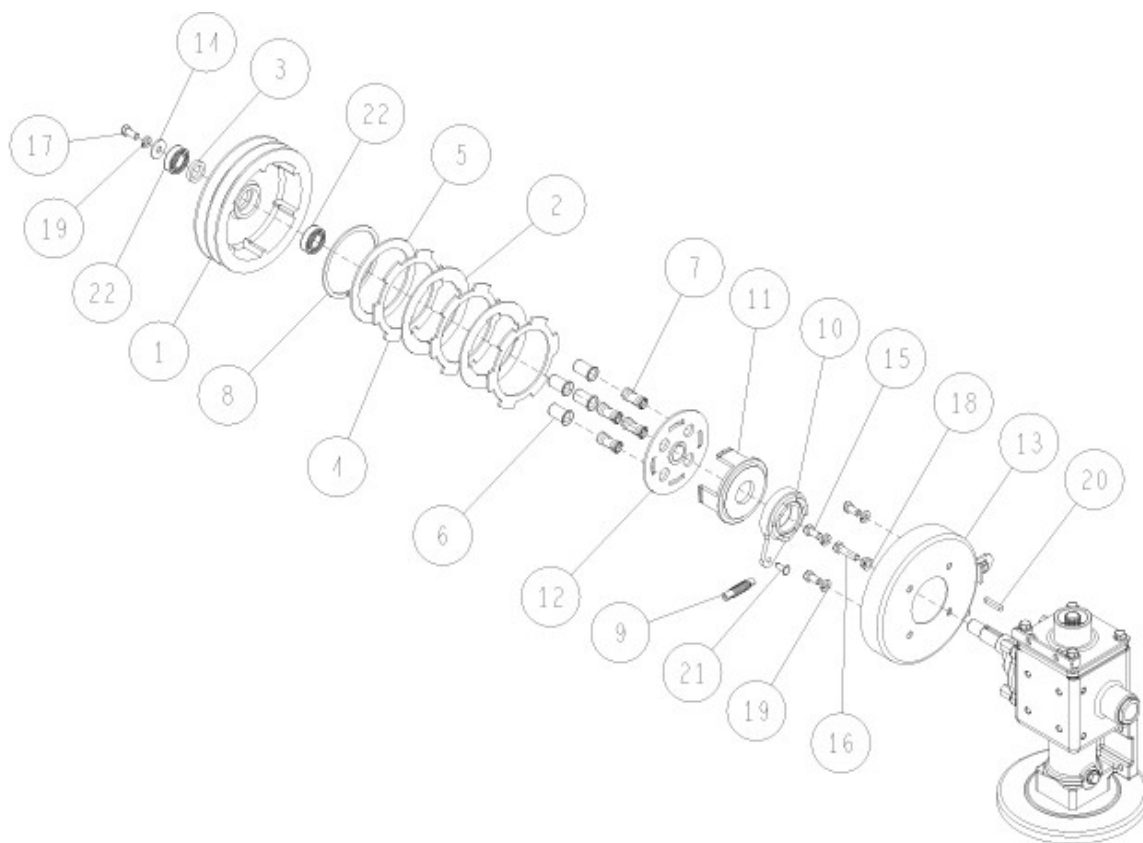
1	80-1415-114-00	Side Clutch Fork	1	
2	80-1425-112-00	Driving Clutch Fork Shaft	1	
3	80-1565-155-0H	Shaft BB Case (L) (Metallic Grey)	1	
4	80-1575-109-00	Swing Arm	1	
5	0251-00110	Transmission Case (L)	1	
6	0297-08000	Oil Seal AP 35.55.16	1	
7	83-1415-127-00	Seal Bolt (SW) M8*20	4	
8	83-1415-671-00	Blind Cover 22	1	
9	83-1415-672-00	Blind Cover 30	1	
10	83-1517-685-00	Oil Cap 20	1	
11	89-1251-060102	Flange Hexagonal Bolt M6*10	1	
12	89-2111-030020	Spring Pin 3*20	1	
13	89-2111-050020	Spring Pin 5*20	1	
14	89-2512-000550	Snap Ring (R55)	1	
15	89-3111-060064	Bearing 6006	1	
16	89-3510-012200	DU Bush 12.20	1	
17	89-5121-122207	Oil Seal UE 12.22.7	1	
18	89-5121-153007	Oil Seal UE 15.30.7	1	
19	89-5221-009000	O Ring P9	1	
20	89-5230-060000	Seal Washer 6	1	
No.	Parts Code No.	Parts Name	Q'ty	Remarks

16/20 Rotary Part 1/3



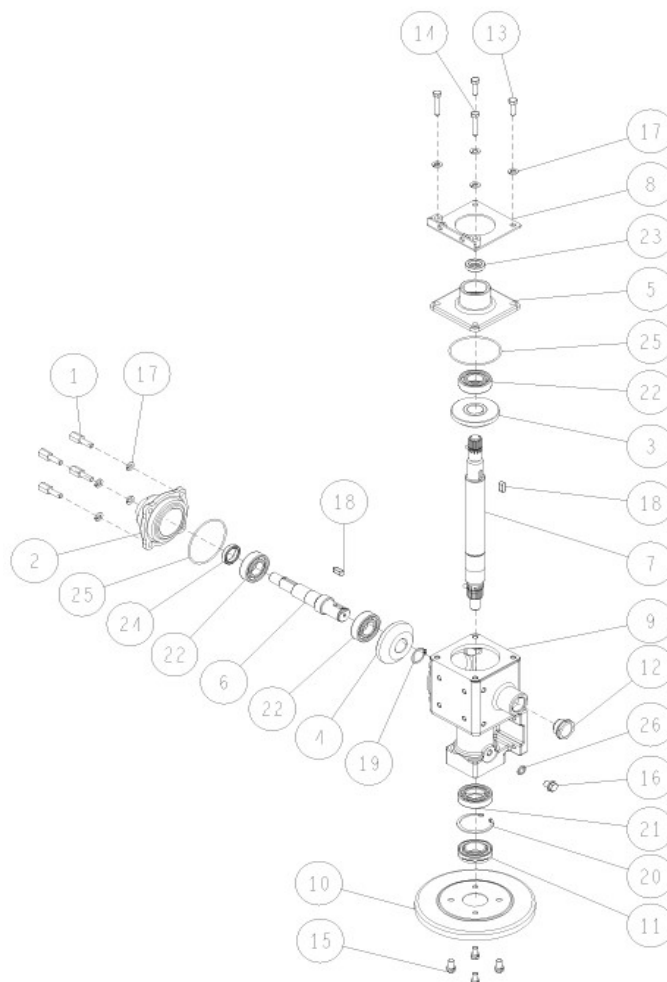
	0253-78300	Setting Bolt Set (BM91)	3	4,10,14,16
1	80-1565-821-10	Knife BM90	3	
2	80-1565-842-0H	Stabilizer Center (Outer) (Metallic Grey)	1	
3	0253-5310H	Rotary Disc CMP (Metallic Grey)	1	
4	0253-53200	Blade Setting Bolt	3	
5	0253-5511H	Stabilizer CMP (Metallic Grey)	1	
6	0253-70400	Stopper Pin CMP	1	
7	83-1540-334-0H	Washer 16*48*6.0 (Metallic Grey)	1	
8	84-1752-833-1H	Disc Bracket (Metallic Grey)	1	
9	89-1213-080202	Mini Hexagonal Bolt (8T) M8*20	4	
10	89-1551-120002	Hexagonal U Nut M12	3	
11	89-1572-160042	Cap Nut M16 P=1.5	1	
12	89-1712-100002	Flat Washer 10*21*2.1	1	
13	89-1750-080002	Spring Washer 8	4	
14	89-1750-120002	Spring Washer 12	3	
15	89-1750-160002	Spring Washer 16	1	
16	89-2120-300252	Split Pin 3*25	3	
17	89-2132-100002	Snap Pin 10 (with stopper)	1	
18	89-2512-000680	Snap Ring (R68)	1	
19	89-3115-060084	Bearing 6008 2RS	1	
No.	Parts Code No.	Parts Name	Q'ty	Remarks

17/20 Rotary Part 2/3



1	80-1560-522-00	Clutch Pulley	1	
2	80-1560-526-00	Friction Plate	2	
3	80-1560-529-00	Collar 5	1	
4	80-1560-533-00	Clutch Facing	3	
5	80-1560-534-00	Pressure Plate	1	
6	80-1560-535-00	Spring Holder	4	
7	80-1560-536-00	Clutch Spring	4	
8	80-1560-538-00	Snap Ring	1	
9	80-1560-552-00	Cam Lever Return Lever	1	
10	80-1560-604-00	Cam Lever	1	
11	80-1565-531-00	Clutch Bracket	1	
12	80-1565-532-00	Clutch Holding Plate	1	
13	80-1565-609-11	Clutch Dust Cover (White)	1	
14	83-1751-311-00	Flat Washer 8*25*2.3	1	
15	89-1211-080162	Mini Hexagonal Bolt M8*16	3	
16	89-1211-080302	Mini Hexagonal Bolt M8*30	1	
17	89-1213-080162	Mini Hexagonal Bolt (8T) M8*16	1	
18	89-1543-080002	Mini Hexagonal Nut (SW) M8	1	
19	89-1750-080002	Spring Washer 8	4	
20	89-2150-050300	Key 5*30 (round)	1	
21	89-2181-060162	Flat Head Pin 6*16	1	
22	89-3111-060034	Bearing 6003	2	
23	80-1565-530-00	Multiple Disc Clutch Assy	1	2,4,5,6,7,8,11,12組付品
No.	Parts Code No.	Parts Name	Q'ty	Remarks

18/20 Rotary Part 3/3



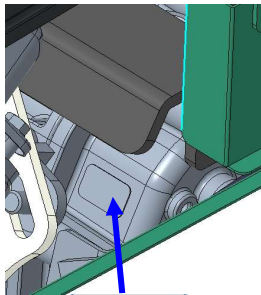
1~26	0253-50010	Gearbox Assy	1	
1	80-1560-541-00	Dust Cover Bolt	4	
2	80-1560-603-00	Clutch Cam Holder	1	
3	80-1560-618-00	Bevel Gear (Left) 25T	1	
4	80-1560-622-00	Bevel Gear (Right) 25T	1	
5	80-1565-606-0H	Upper BB Case (Metallic Gray)	1	
6	80-1565-616-00	Horizontal Shaft	1	
7	80-1565-641-00	Vertical Shaft	1	
8	80-1565-736-1H	ボンネット取付ステーCMP ガンメタ	1	
9	0253-5011H	Gearbox (Metallic Grey)	1	
10	0253-5020H	Rotary Dust Cover (Metallic Grey)	1	
11	0297-08000	Oil Seal AP 35.55.16	1	
12	83-1032-689-00	Oil Gauge KMS28A	1	
13	89-1211-080252	Mini Hexagonal Bolt M8*25	2	
14	89-1213-080402	Mini Hexagonal Bolt (8T) M8*40	2	
15	89-1232-080162	Mini Hexagonal Bolt (SW) M8*16	4	
16	89-1251-100122	Flange Mini Hexagonal Bolt M10*12	1	
17	89-1750-080002	Spring Washer 8	8	
18	89-2150-070200	Key 7*20 (round)	2	
19	89-2511-000250	Snap Ring (S25)	1	
20	89-2512-000550	Snap Ring (R55)	1	
21	89-3111-060064	Bearing 6006	1	
22	89-3111-062054	Bearing 6205	3	
23	89-5121-203007	Oil Seal UE 20.30.7	1	
24	89-5121-253507	Oil Seal UE 25.35.7	1	
25	89-5222-080000	O Ring G80	2	
26	89-5230-100000	Seal Washer 10	1	
No.	Parts Code No.	Parts Name	Q'ty	Remarks



AM警告ラベル 0331-74600



Label, OREC Logo B16  
0332-71700

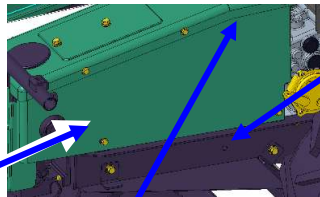


MA Model  
BM93

ミッション型式ラベル

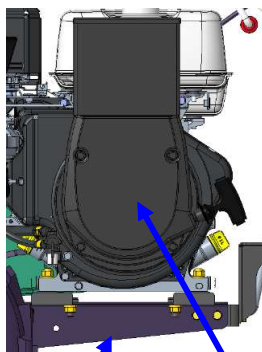
ミッション  
オイル  
#90 0.4ℓ

油量0.4ラベル  
0331-74800



ミッション  
オイル  
#90 1.6ℓ

Label, Gear Oil  
(1.6L)  
0334-73300



Serial No.



エンジンカバーマーク  
0253-81400

Label, Handle Cover BM93  
0253-82200



OREC Logo  
0930-71100



Caution for Blade  
Cover  
0334-71800



Label, Drive Clutch  
0334-71700



Label, Knife Clutch  
0334-71600



Label, Change  
0256-72510

Label,  
Caution



Caution for Blade Cover  
0334-71800

