

OREC

Issue No. RM832G-00

Parts Catalog  
Rabbit Mower  
RM832G

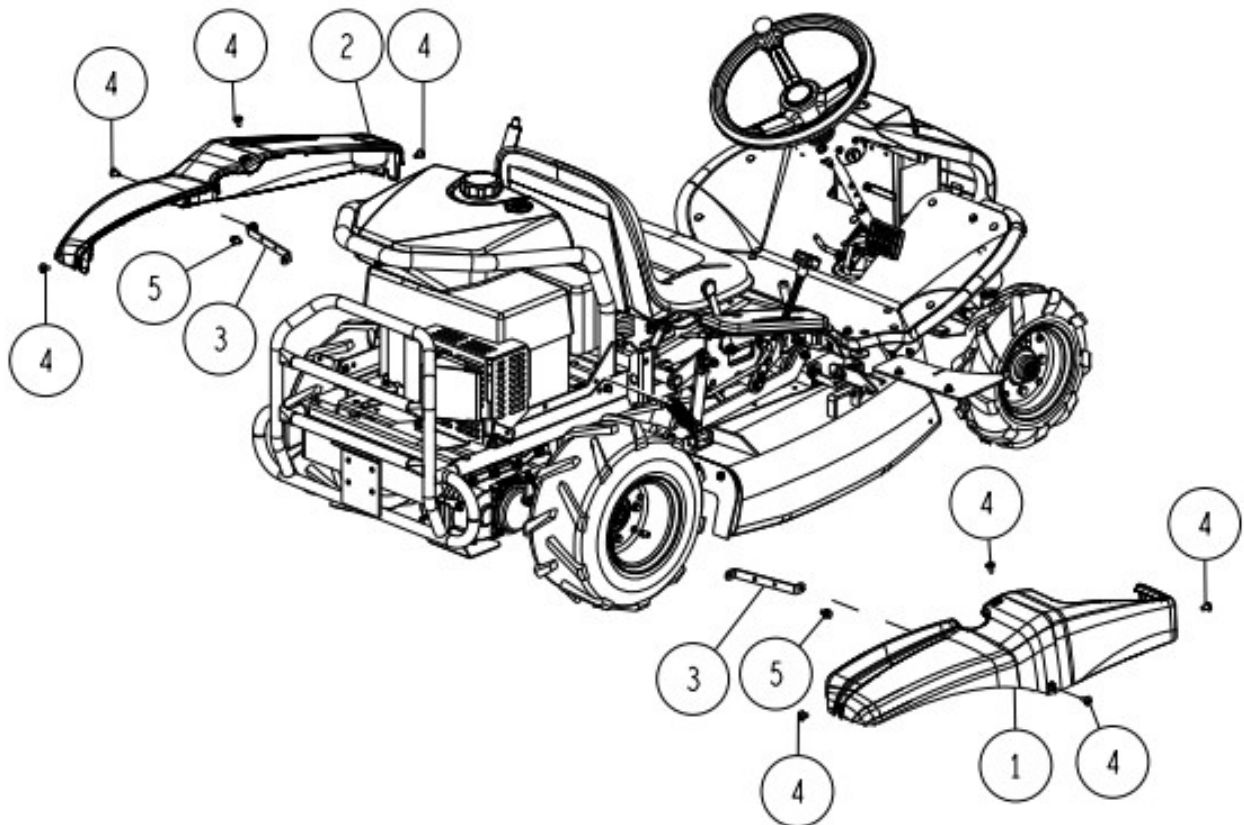


《Contents》

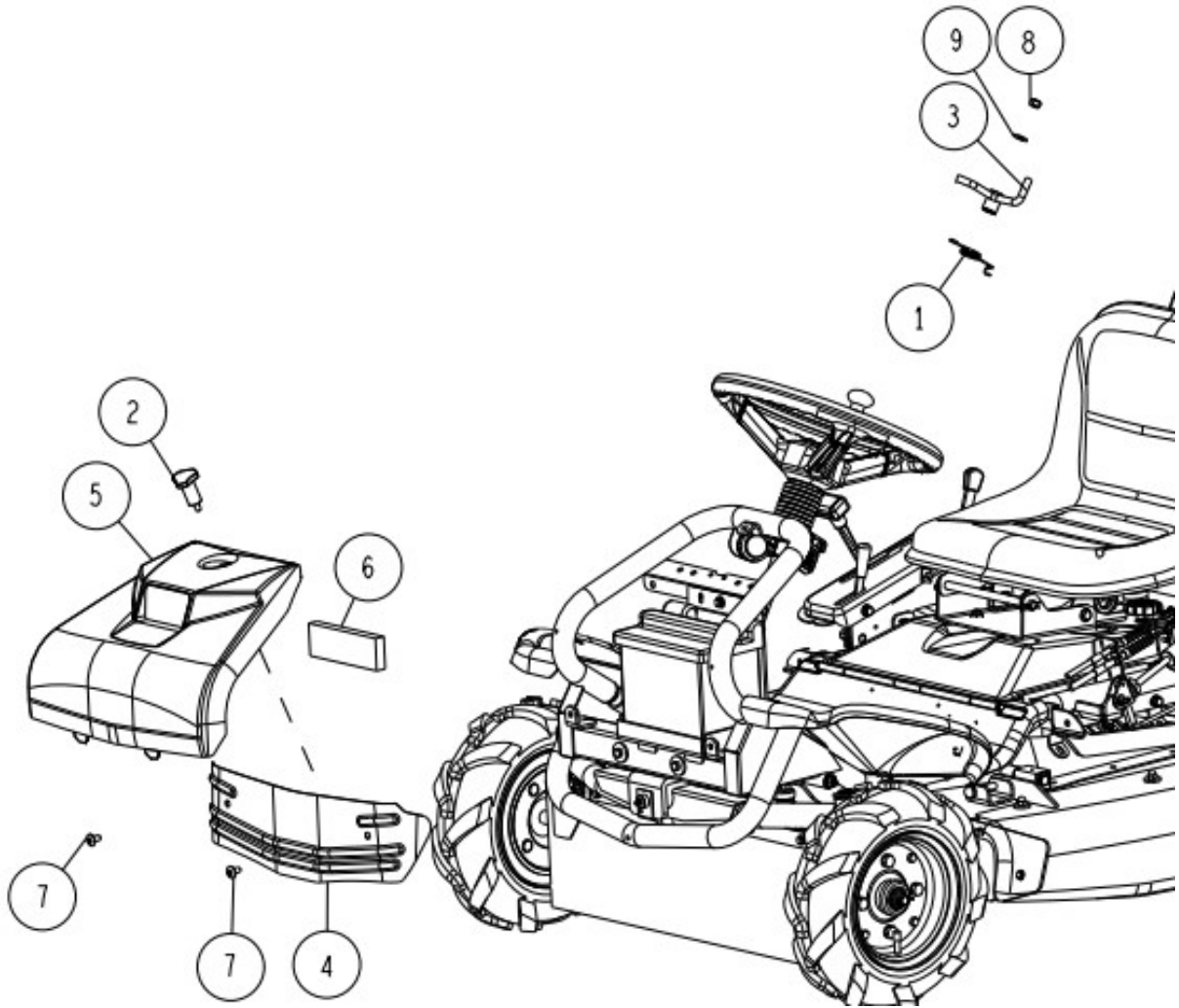
Frame section .....	1
Mission section .....	1 6
Handle section .....	2 4
Front section .....	2 6
Tire section .....	2 9
Control Section .....	3 0
Cutting Deck Section .....	3 2
Seat section .....	3 9
Engine .....	4 2
Light Options .....	4 6
Label .....	4 7

OREC CO., LTD.

2023/7/31



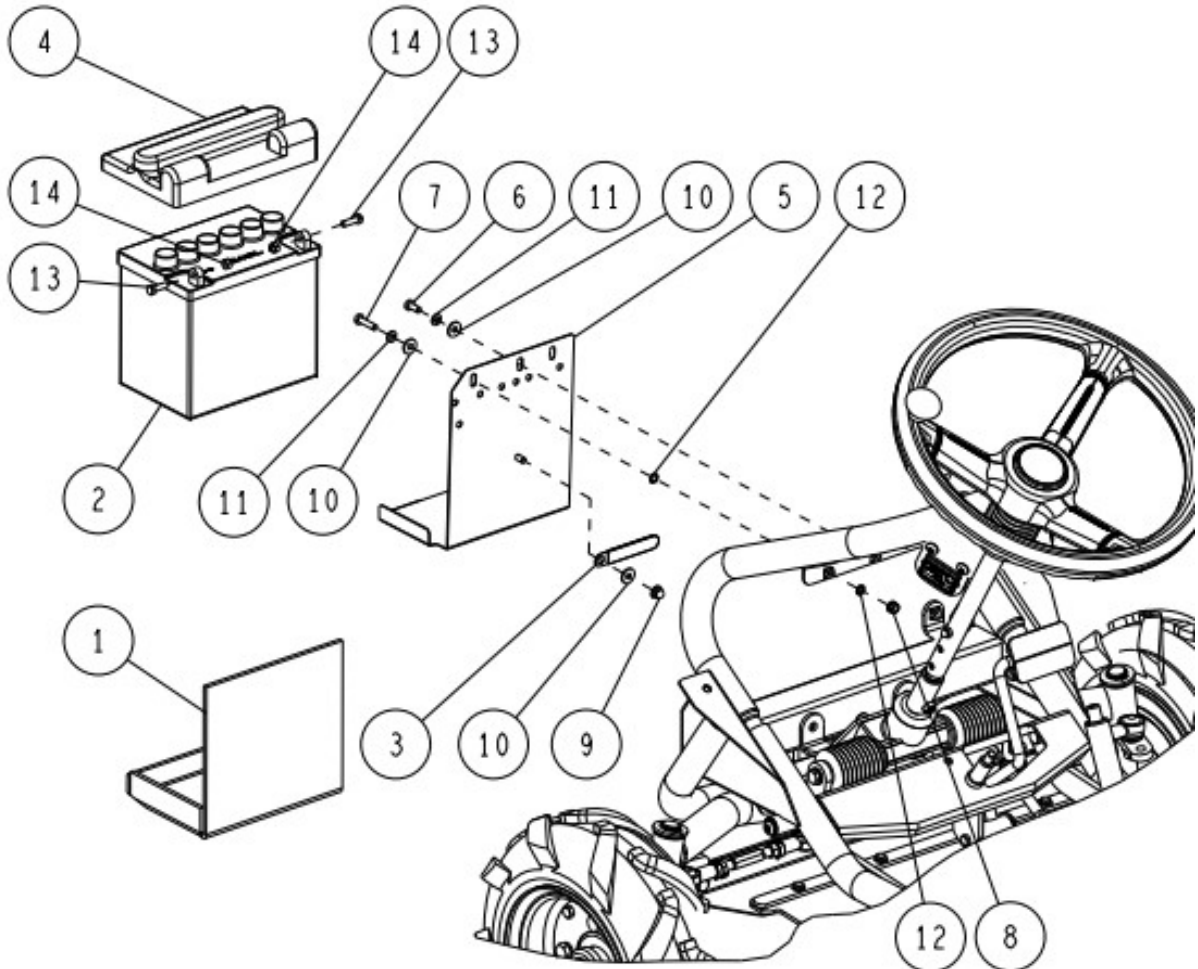
5	89-1233-080162	Mini Hexagonal Bolt (PWSW) M8*16	2	
4	89-1159-080168	Truss Mini Screw M8*16	8	
3	0284-2310H	Side Cover Stay CMP (Metallic Grey)	1	
2	0310-75600	Side Cover (Blue) (L)	1	IA
	0310-75400	Side Cover (White) (L)	1	OR
	0244-60210	Side Cover (L) Red	1	YB
1	0310-75500	Side Cover (Blue) (R)	1	IA
	0310-75300	Side Cover (White) (R)	1	OR
	0244-60110	Side Cover (R) Red	1	YB
No	Part number	Part name	Qty	Remarks



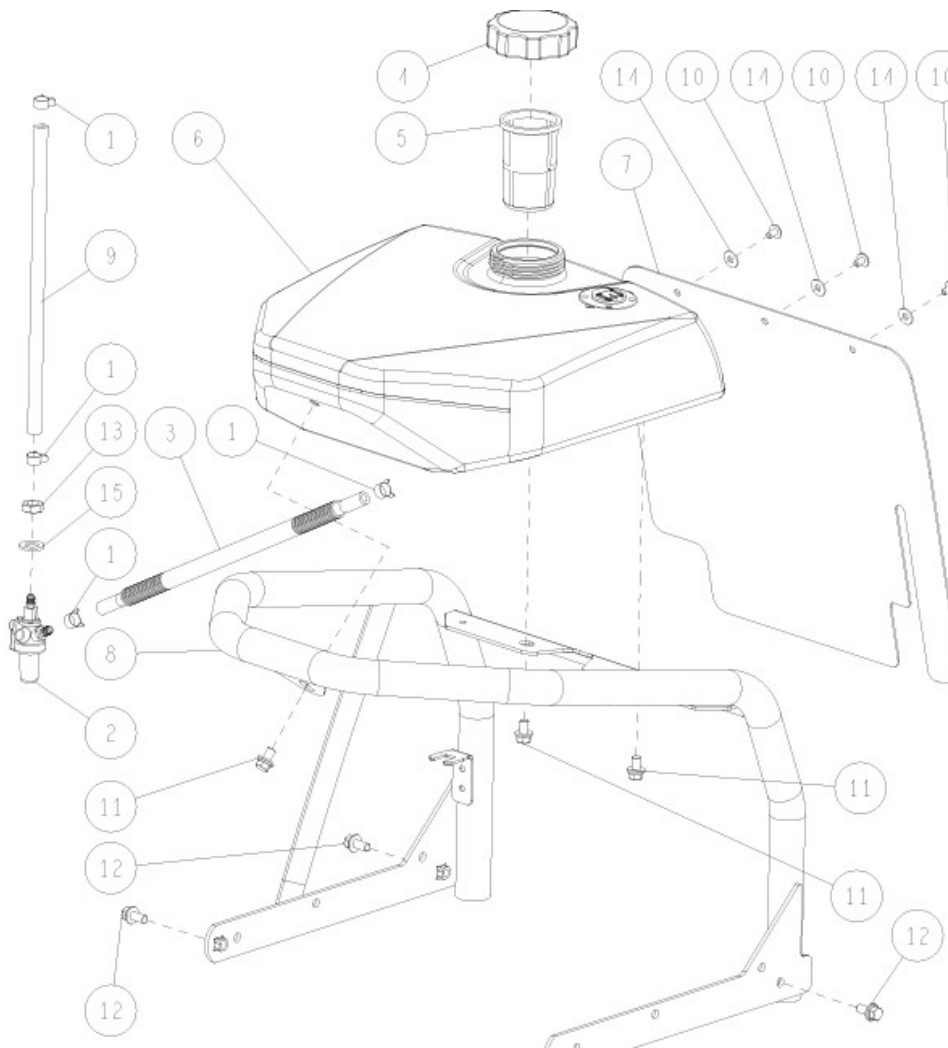
9	89-1714-100002	Flat Washer 10	1	
8	89-1561-100002	Mini Hexagonal U Nut M10	1	
7	89-1159-080168	Truss Mini Screw M8*16	2	
6	0284-72300	Battery Pad (88)	1	
5	0310-72700	Front Cover Blue (with Pad) (IA)	1	IA
	0310-72600	Front Cover Red (with Pad) (YB)	1	YB
	0284-61300	Front Cover (with Pad)	1	OR
4	0284-2070G	Front Cover (Lower) (Green)	1	OR
	0284-2070H	Front Cover (Lower) (Metallic Grey)	1	IA•YB
3	0244-32200	Brake Stopper CMP	1	
2	0207-76500	Long Knob Bolt M8*20	1	
1	80-1484-356-00	Brake Stopper Return Spring	1	
No	Part number	Part name	Qty	Remarks



4/47 Frame section 4/15

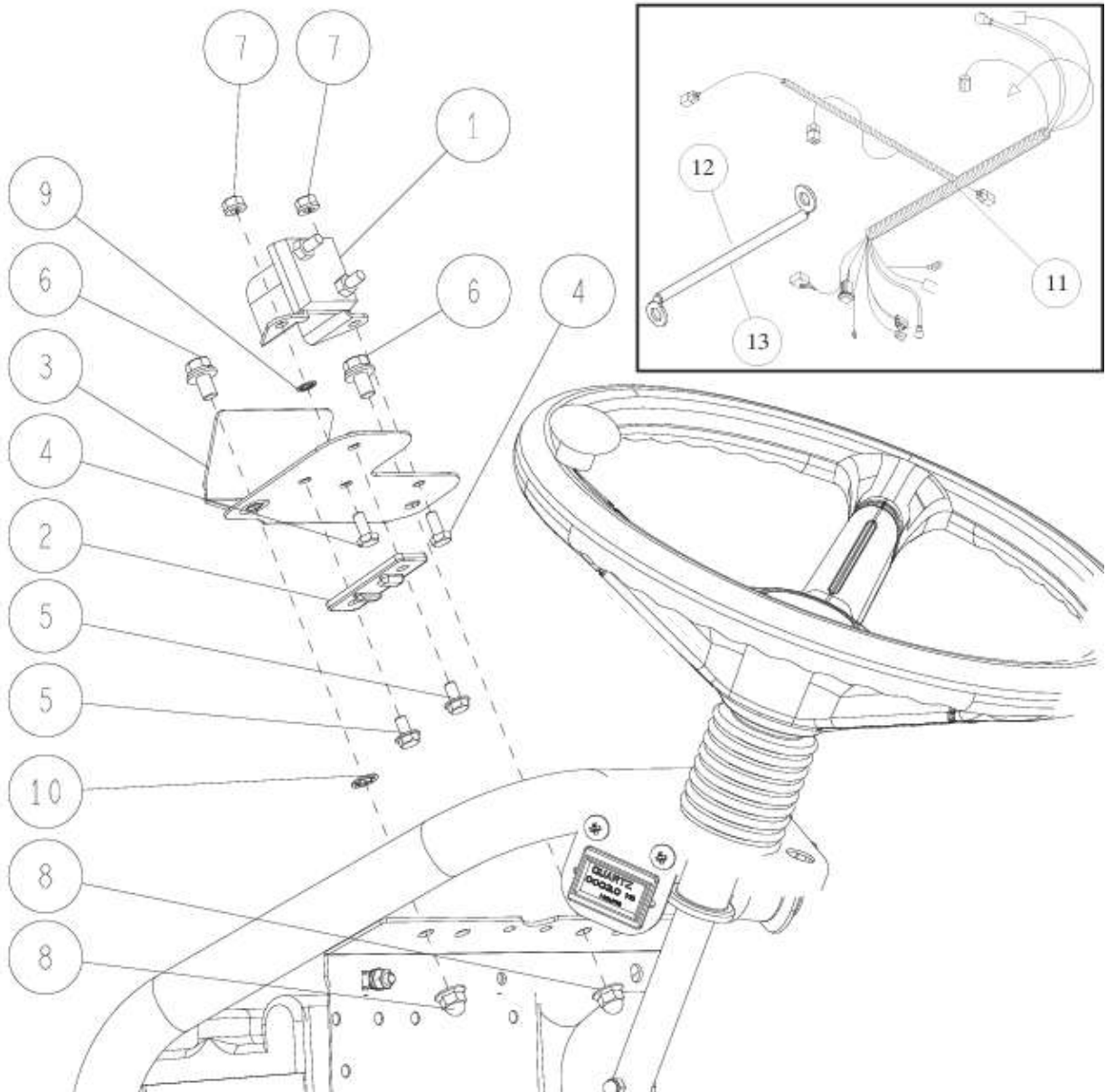


14	Battery parts	Hexagonal nut M6	2	
13	Battery parts	Hexagonal nut M6X20	2	
12	89-1812-060002	Toothed washer (inside) 6	2	
11	89-1750-060002	Spring Washer 6	2	
10	89-1713-060002	Flat Washer 6 (large)	3	
9	89-1581-060042	Flange Cap Nut M6	1	
8	89-1541-060002	Hexagonal Nut (SW) M6	1	
7	89-1111-060252	Hexagonal Bolt M6*25	1	
6	89-1111-060142	Hexagonal Bolt M6*14	1	
5	0284-2210H	Battery Carrier (Metallic Grey)	1	
4	0207-63200	Battery Cover	1	
3	80-1792-988-00	Harness Clip 8	1	
2	80-1792-976-00	Battery (32A-19L)	1	
1	80-1482-971-00	Cushion Rubber (Battery)	1	
No	Part number	Part name	Qty	Remarks



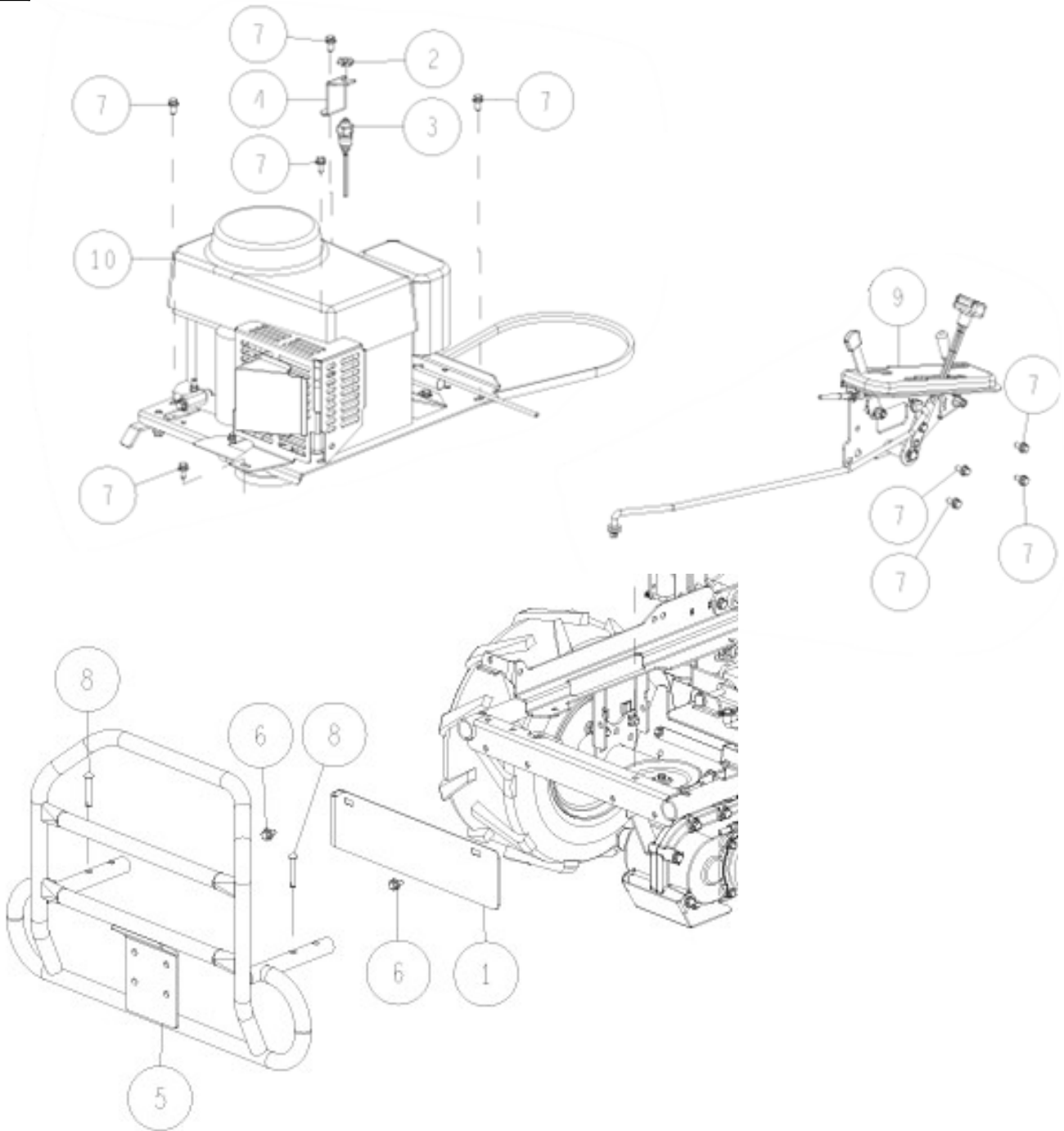
-	0284-87000	Fuel Hose (Engine) (with Clip)	※1	1 × 2pcs,9
-	0289-73300	Fuel Hose (B) (with Clip)	※1	1 × 2pcs,3
-	0284-70110	Fuel Tank Assy	※1	4,5,6
15	89-1714-120002	Flat Washer 12	1	
14	89-1713-060002	Flat Washer 6 (large)	3	
13	89-1514-120042	Hexagonal Nut (3 sorts) M12 (slender)	1	
12	89-1233-080202	Mini Hexagonal Bolt (PWSW) M8*20	4	
11	89-1233-080162	Mini Hexagonal Bolt (PWSW) M8*16	3	
10	89-1159-060108	Truss Mini Screw M6*10	3	
9	0284-87200	Fuel Hose (Engine)	1	
8	0284-8652H	Fuel Tank Holder CMP (88ET) (Metallic Gre	1	IA
	0284-86522	Fuel Tank Holder CMP (88ET) (Red)	1	YB
	0284-8652G	Fuel Tank Holder CMP (88ET) (Green)	1	OR
7	0284-72100	Wind Shield (RM88)	1	
6	0284-70610	Fuel Tank (with Fuel Gauge)	1	
5	0244-76900	Filter	1	
4	0244-76600	Tank Cap Assy	1	
3	0244-75300	Fuel Hose (B)	1	
2	0207-82800	Fuel Cock	1	
1	80-1483-988-00	Hose Clip 17	4	
No	Part number	Part name	Qty	Remarks

6/47 Frame section 6/15

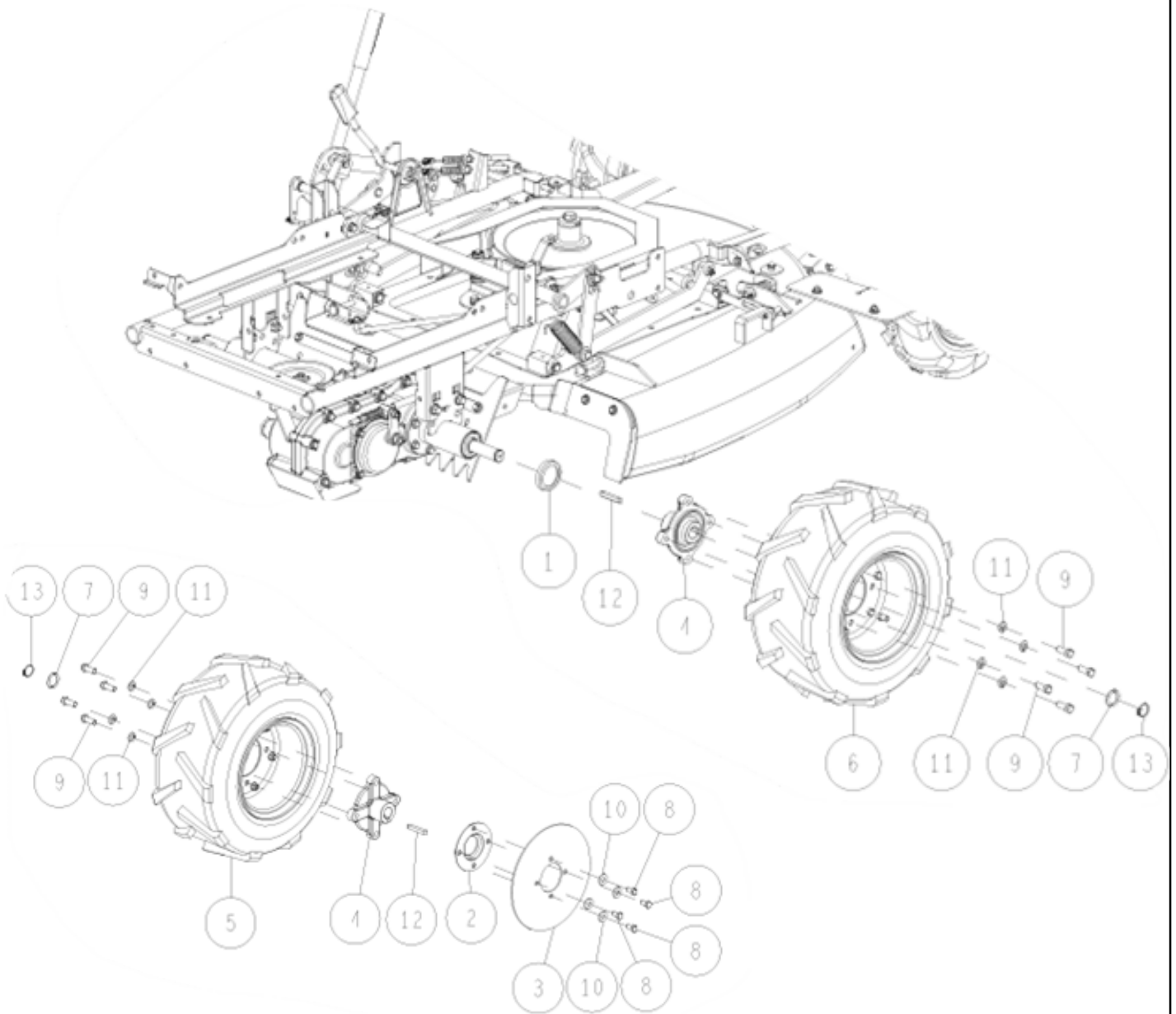


12	0207-77200	Battery Minus Cord 230	1	
	0207-77100	Battery Plus Cord 230	1	
11	0308-70300	Harness (B&S)	1	
10	89-1812-080002	Toothed Washer (inside) 8	1	
9	89-1812-060002	Toothed washer (inside) 6	1	
8	89-1581-080042	Flange Cap Nut M8	2	
7	89-1541-060002	Hexagonal Nut (SW) M6	2	
6	89-1233-080162	Mini Hexagonal Bolt (PWSW) M8*16	2	
5	89-1137-060122	Hexagonal Bolt (PW) M6*12	2	
4	89-1111-060142	Hexagonal Bolt M6*14	2	
3	0310-2060H	Front Cover Holder (RM830) (Metallic Grey)	1	
2	0207-79200	Fuse Box Bracket	1	
1	0322-73000	Magnet Switch Set	1	
No	Part number	Part name	Qty	Remarks

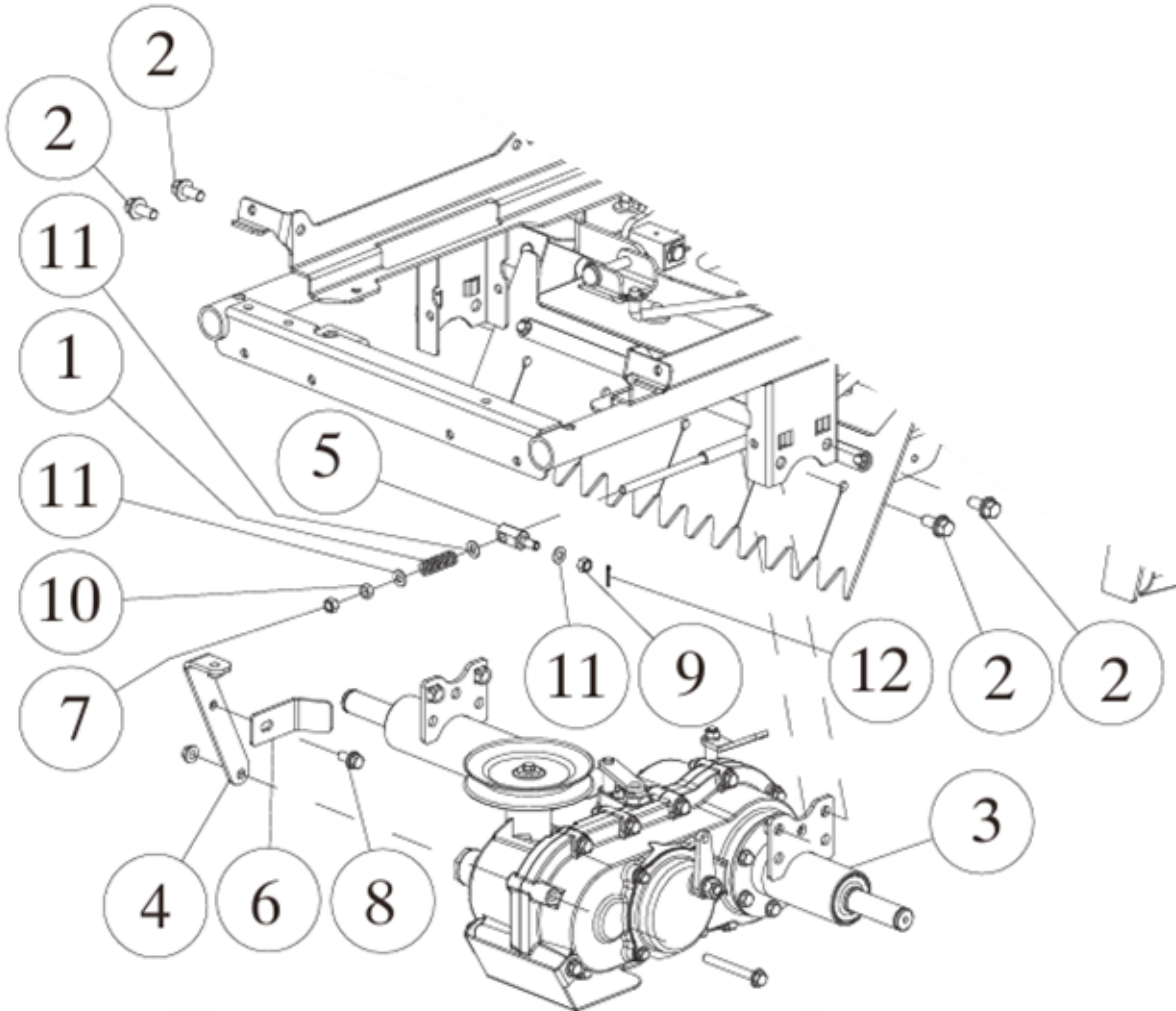
7/47 Frame section 7/15



10	-	Engine Section	-	Details P43~
9	-	Control Section	-	Details P32~
8	89-2191-080502	Round Head Pin 8*50	2	
7	89-1233-080202	Mini Hexagonal Bolt (PWSW) M8*20	9	
6	89-1233-080162	Mini Hexagonal Bolt (PWSW) M8*16	2	
5	0316-2030G	Sub-Frame CMP (Green)	1	OR
	0316-2030H	Sub-Frame CMP (Metallic Grey)	1	IA•YB
4	0284-2050H	Safety Switch Stay (Metallic Grey)	1	
3	0207-74400	Safety Switch K17850	1	
2	0207-72800	Switch Lock Nut	1	
1	0310-6020H	Rear Belt Cover (RM830) (Metallic Grey)	1	
No	Part number	Part name	Qty	Remarks

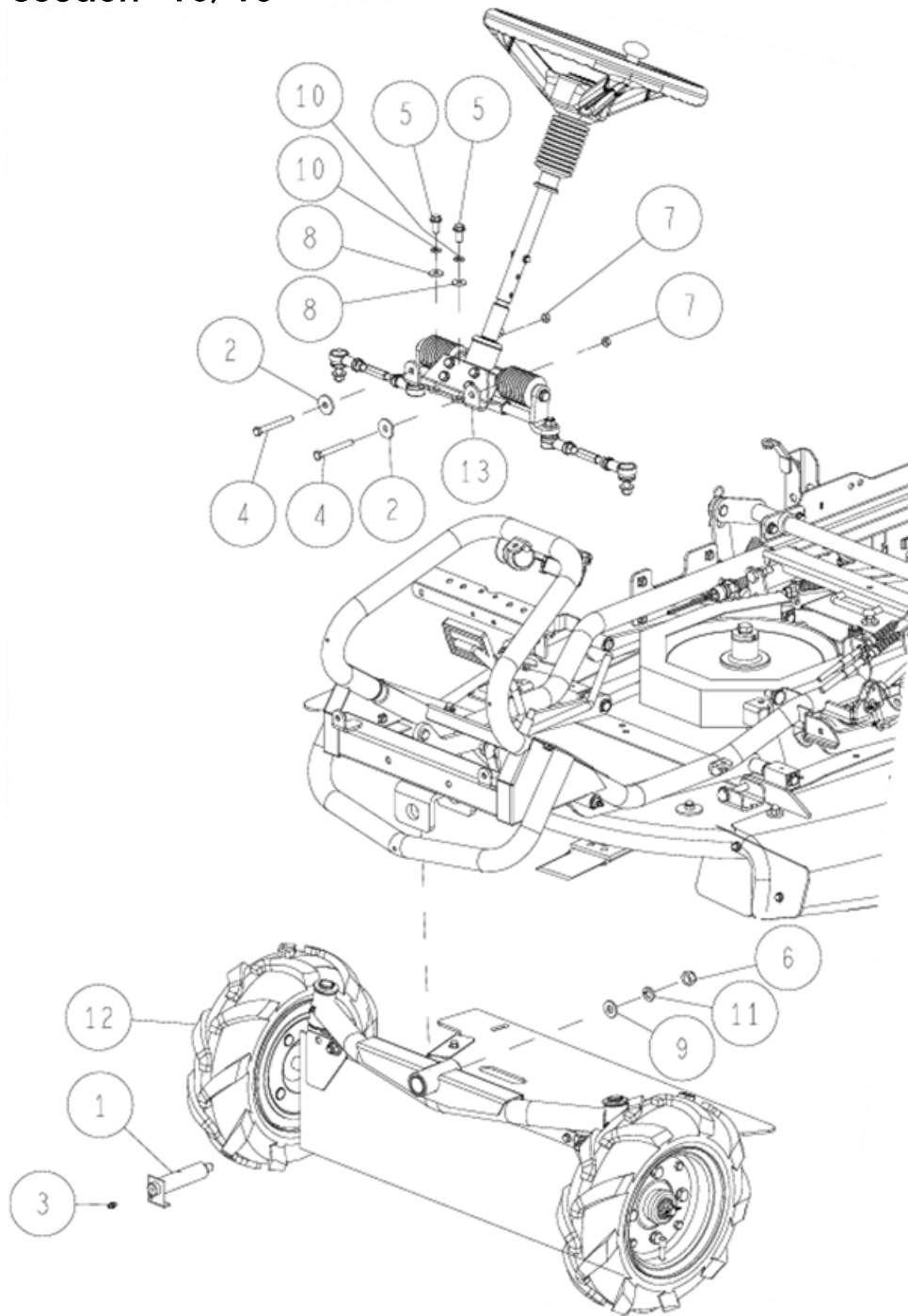


13	89-2511-000220	Snap Ring (S22)	2	
12	89-2150-070500	Key 7*50 (round)	2	
11	89-1750-100002	Spring Washer 10	8	
10	89-1713-080002	Flat Washer 8 (large)	4	
9	89-1113-100252	Hexagonal Bolt (8T) M10*25	8	
8	89-1211-080162	Mini Hexagonal Bolt M8*16	4	
7	83-1310-374-00	Thrust Washer 22*32*1.0	2	
6	80-1751-412-00	Tire (R) Assy (16*7.00-8)	1	Details P31
5	80-1751-411-00	Tire (L) Assy (16*7.00-8)	1	Details P31
4	80-1485-414-00	Rear Wheel Boss	2	
3	80-1482-426-00	Rear Wheel Rubber Cover	1	
2	80-1482-424-0H	Axle Dust Cover (Metallic Grey)	1	
1	80-1415-441-00	Dust Cover	1	
No	Part number	Part name	Qty	Remarks



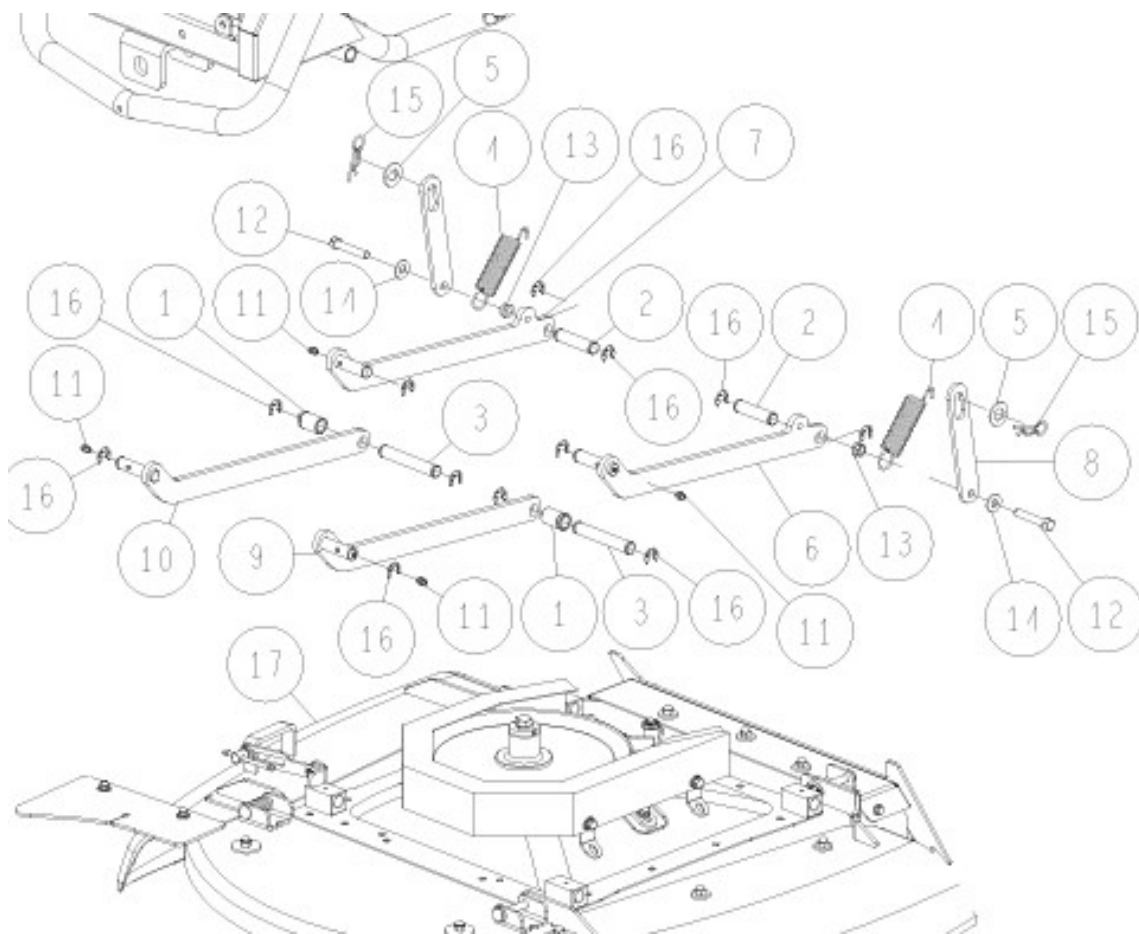
12	89-2120-200152	Split Pin 2*15	1	
11	89-1711-080002	Flat Washer 8	3	
10	89-1611-080042	Mini Hexagonal Nut M8	1	
9	89-1561-080002	Mini Hexagonal U Nut M8	1	
8	89-1233-080202	Mini Hexagonal Bolt (PWSW) M8*20	1	
7	83-1490-198-00	Hexagonal U Nut M8 (Lock)	1	
6	0316-4110H	Transmission Pulley Belt Holder (RM83G) (Metallic Grey)	1	
5	0316-10500	Brake Joint RM83G	1	
4	0316-0110H	Transmission Hunger Stay CMP (RM83G) (Metallic Grey)	1	
3	0316-00100	Transmission Assy RM83G	1	
2	0244-83200	Mini Hexagonal Bolt (PWSW) M10*25 (7T Lock)	4	
1	0237-71100	Brake Spring 40	1	
No	Part number	Part name	Qty	Remarks

10/47 Frame section 10/15



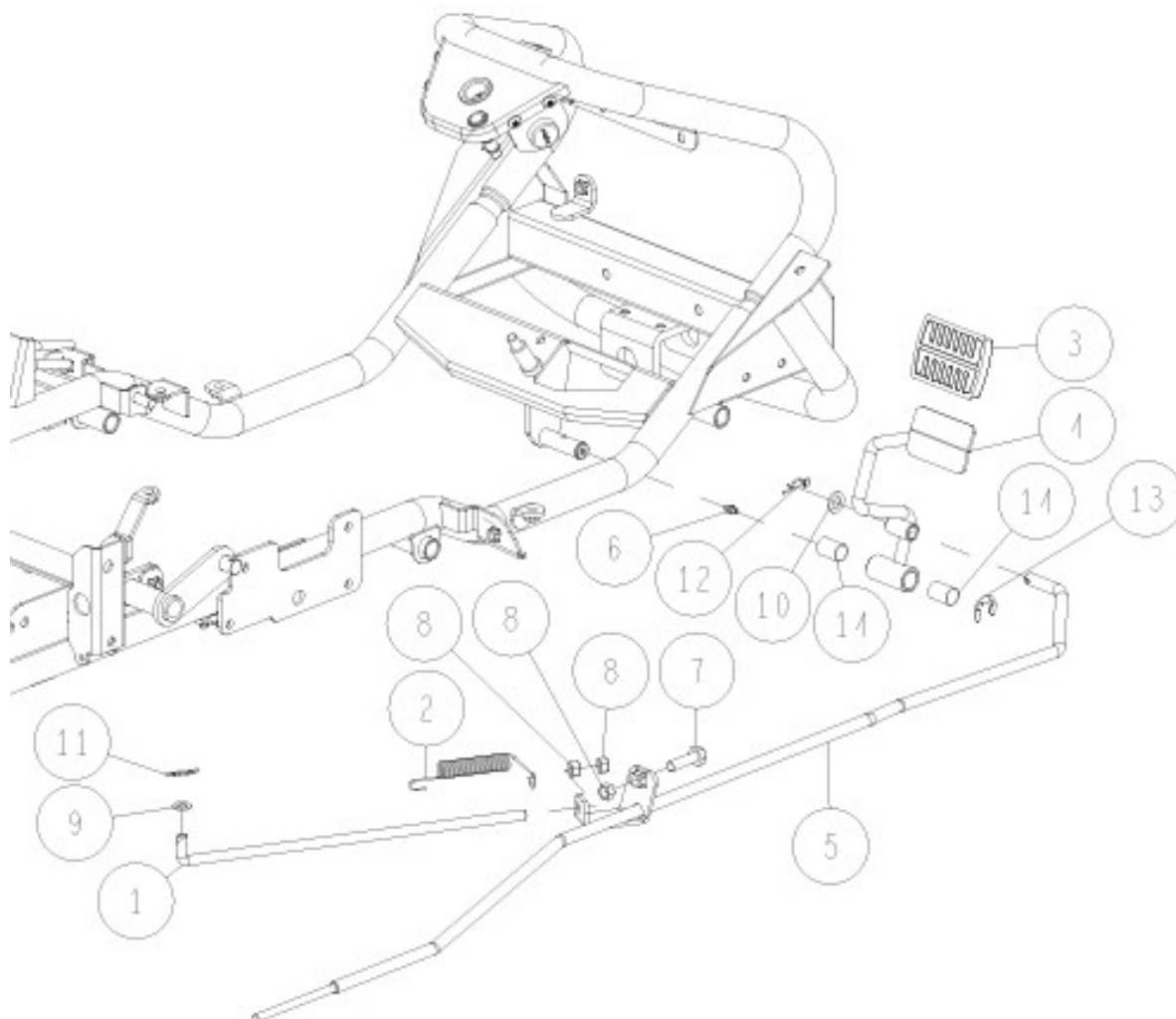
13	-	Handle Section	-	Details P26~
12	-	Front Section	-	Details P28~
11	89-1750-120002	Spring Washer 12	1	
10	89-1750-080002	Spring Washer 8	2	
9	83-1481-328-00	Washer 12*30*3.2	1	
8	89-1713-080002	Flat Washer 8 (large)	2	
7	0286-71900	Mini Hexagonal Nut (SW) Meck	2	
6	89-1551-120002	Hexagonal U Nut M12	1	
5	89-1253-080202	Flange Mini Hexagonal Bolt (8T) M8*20	2	
4	89-1211-080702	Mini Hexagonal Bolt M8*70	2	
3	83-1415-975-00	Grease Nipple M6	1	
2	83-1415-312-00	Washer 8*30*3.2	2	
1	0207-30700	Center Pin	1	
No	Part number	Part name	Qty	Remarks

11/47 Frame section 11/15

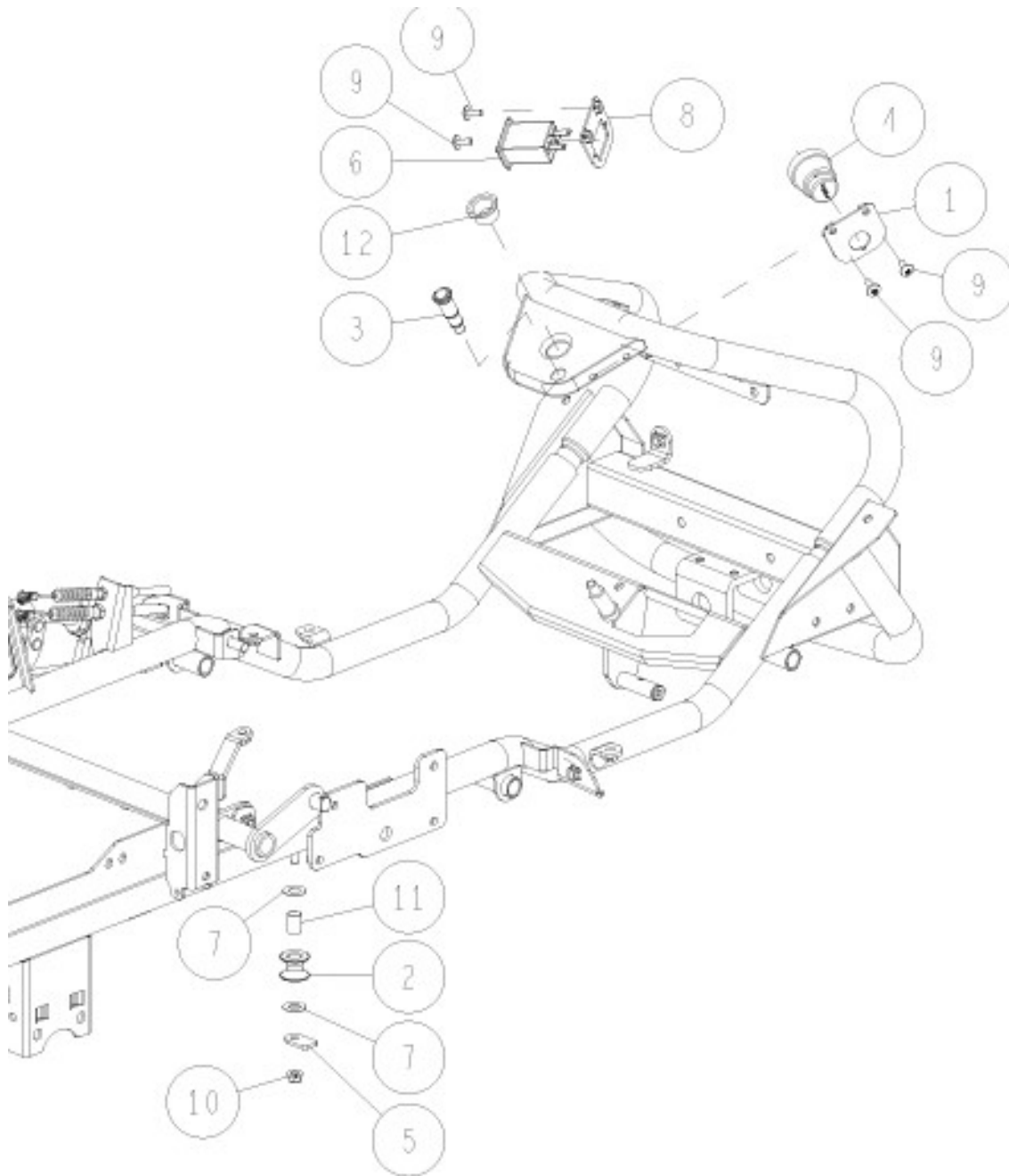


17	-	Cuting Section	-	Details P34~
16	89-2521-000120	E Type Ring 12	12	
15	89-2131-120002	Snap Pin 12	2	
14	89-1713-100002	Flat Washer 10 (large)	2	
13	89-1631-100042	Flange Mini Hexagonal Nut M10	2	
12	89-1213-100552	Mini Hexagonal Bolt (8T) M10*55	2	
11	83-1415-975-00	Grease Nipple M6	4	
10	0316-5050H	Link Arm CMP (Right-front) RM83G (Metallic Grey)	1	
9	0316-5040H	Link Arm CMP (Left-front) RM83G (Metallic Grey)	1	
8	0316-5031H	Connecting Plate (RM83G) (Metallic Grey)	2	
7	0316-5020H	Link Arm CMP (Right-rear) RM83G (Metallic Grey)	1	
6	0316-5010H	Link Arm CMP (Left-rear) RM83G (Metallic Grey)	1	
5	0207-76800	Washer 16*32*2.3	2	
4	0207-76200	Spring (Up/Down)	2	
3	80-1490-709-10	Link Pin B (RM83G)	2	
2	80-1490-706-10	Link Pin A (RM83G)	2	
1	80-1490-705-0H	Link Collar (RM83G) (Metallic Grey)	2	
No	Part number	Part name	Qty	Remarks

12/47 Frame section 12/15

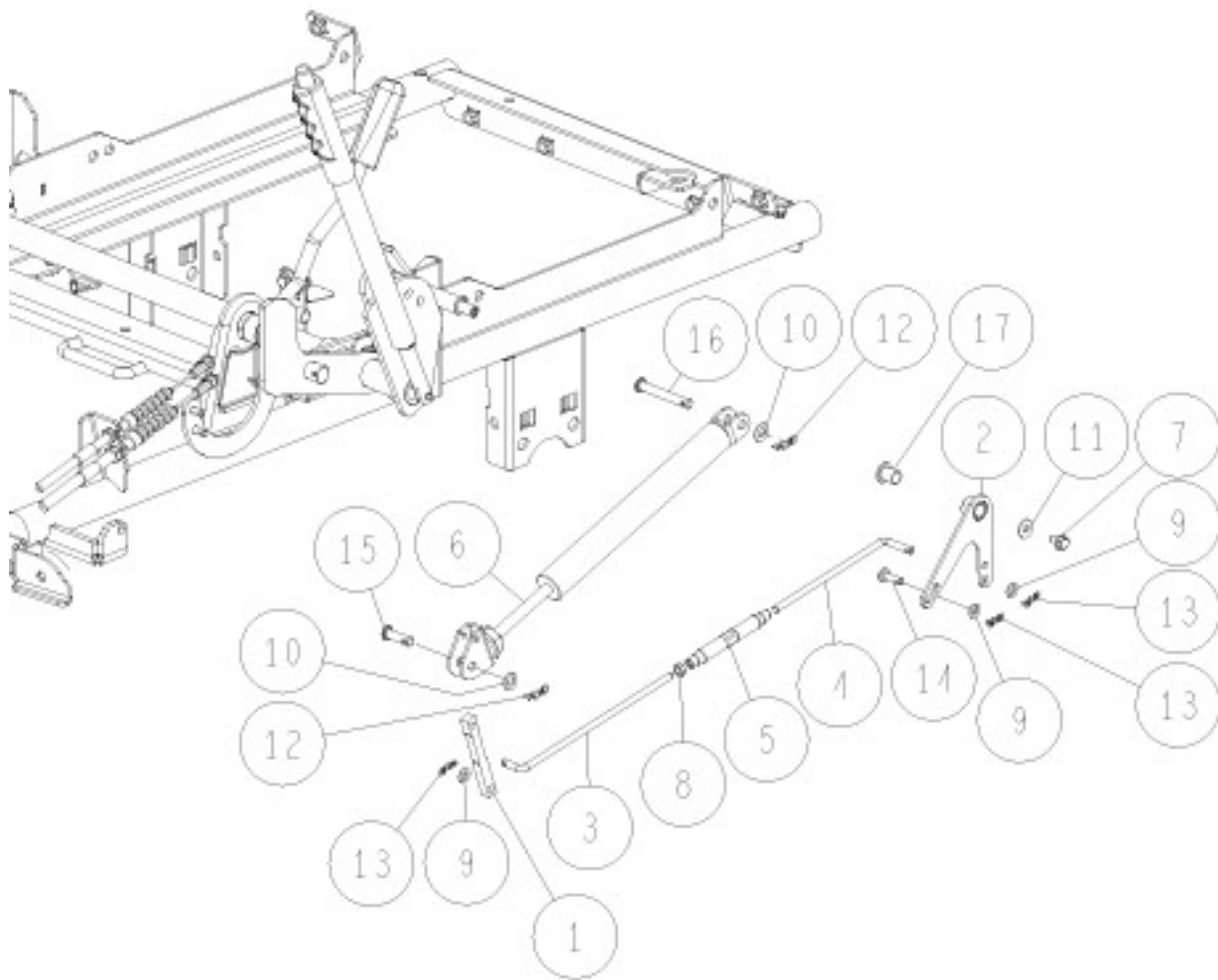


14	89-3510-016250	DU Bush 16.25	2	
13	89-2521-000150	E Type Ring 15	1	
12	89-2131-120002	Snap Pin 12	1	
11	89-2131-100002	Snap Pin 10	1	
10	89-1711-120003	Flat Washer 12	1	
9	89-1711-100002	Flat Washer 10*18*1.6	1	
8	89-1611-100042	Mini Hexagonal Nut M10	3	
7	89-1113-100357	Hexagonal Bolt (8T) M10*35	1	
6	83-1415-975-00	Grease Nipple M6	1	
5	0316-81300	Brake Rod CMP (RM83G)	1	
4	0316-1030H	Shift Rod CMP (RM83G) (Metallic Grey)	1	
3	0310-73700	Pedal Rubber	1	
2	80-1493-354-00	Rod Return Spring	1	
1	80-1484-361-00	Shift Rod	1	
No	Part number	Part name	Qty	Remarks

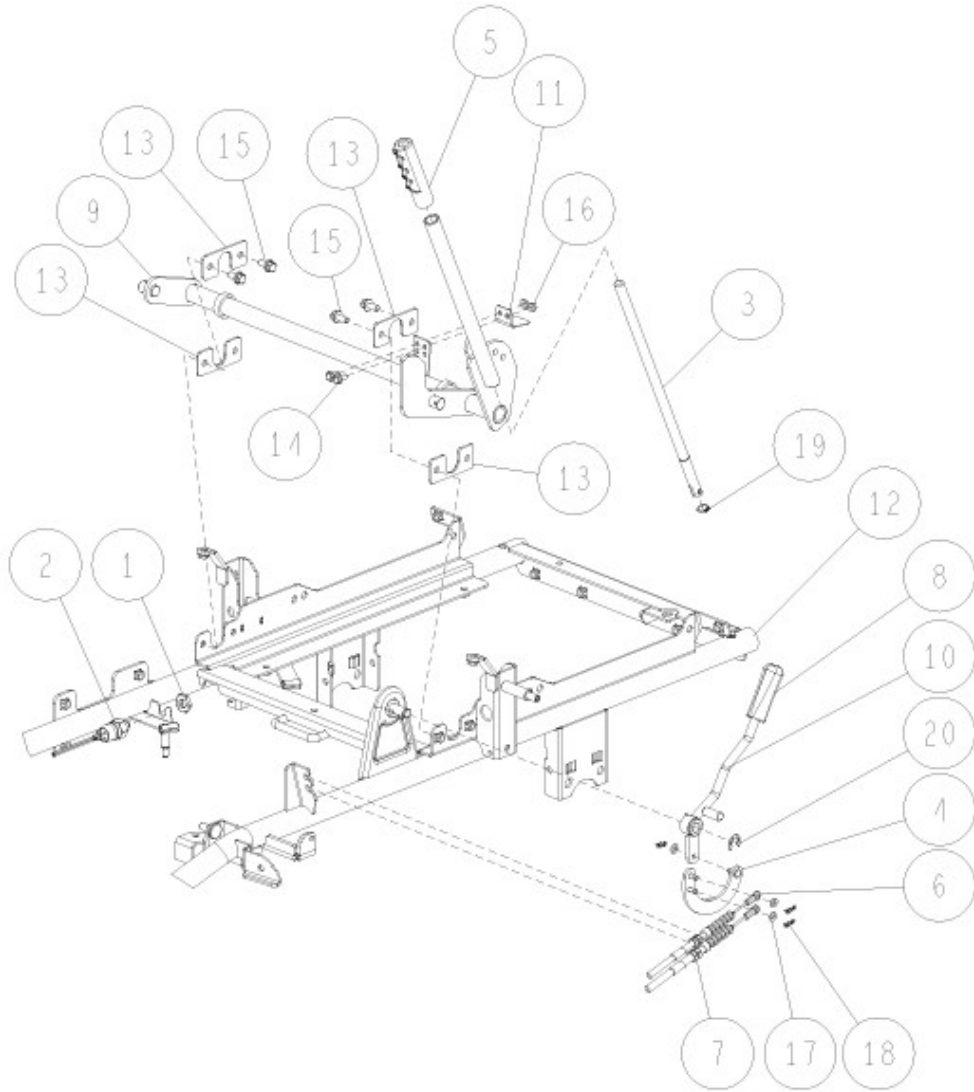


12	89-3511-022150	DU Bush 22.15.33F	1	
11	89-3510-012200	DU Bush 12.20	1	
10	89-1543-080002	Mini Hexagonal Nut (SW) M8	1	
9	89-1159-060168	Truss Mini Screw M6*16	4	
8	85-1484-943-1H	Hour Meter Bracket (Metallic Grey)	1	
7	83-1020-355-00	Thrust Washer 12*24*1.0	2	
6	0267-70600	Hour Meter (Digital)	1	
5	0244-22600	Brake Rod Hung Plate	1	
4	0207-79700	Key Switch (NMA03-A020)	1	
3	0207-79300	Pilot Lamp	1	
2	80-1484-354-10	Brake Rod Roller	1	
1	80-1482-332-0H	Key Switch Bracket CMP (Metallic Grey)	1	
No	Part number	Part name	Qty	Remarks

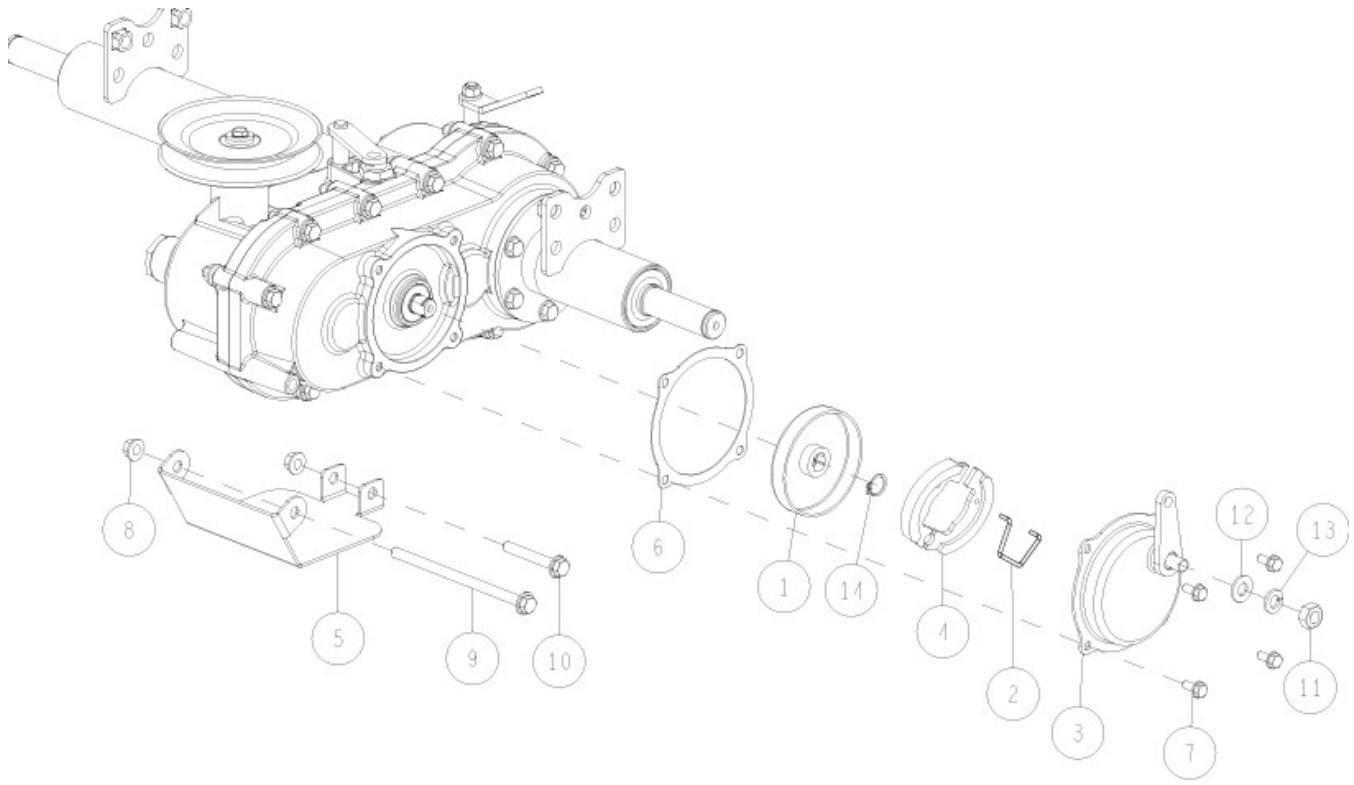
14/47 Frame section 14/15



-	0244-11000	Adjusting Rod Assy	1	3、4、5、8
-	0255-70400	Gas Spring Free Lock Type(FLC75- 35) set	1	1、6
17	89-3511-010150	DU Bush 10.15.18F	1	
16	89-2181-080602	Flat Head Pin 8*60	1	
15	89-2181-080282	Flat Head Pin 8*28	1	
14	89-2181-060202	Flat Head Pin 6*20	1	
13	89-2132-060002	Snap Pin 6 (with stopper)	3	
12	89-2131-080002	Snap Pin 8	2	
11	89-1713-060002	Flat Washer 6 (large)	1	
10	89-1711-080002	Flat Washer 8	2	
9	89-1711-060002	Flat Washer 6	3	
8	89-1511-060042	Hexagonal Nut M6	1	
7	89-1137-060122	Hexagonal Bolt (PW) M6*12	1	
6	0255-70100	Gas Spring Free Lock Type(FLC75-35)	1	
5	0244-11600	Turn Buckle (Pipe Type)	1	
4	0244-11500	Adjuster Rod (L)	1	
3	0244-11400	Adjuster Rod (R)	1	
2	0244-11300	Push Rod Receiver CMP	1	
1	0244-10500	Lock Pusher	1	
No	Part number	Part name	Qty	Remarks

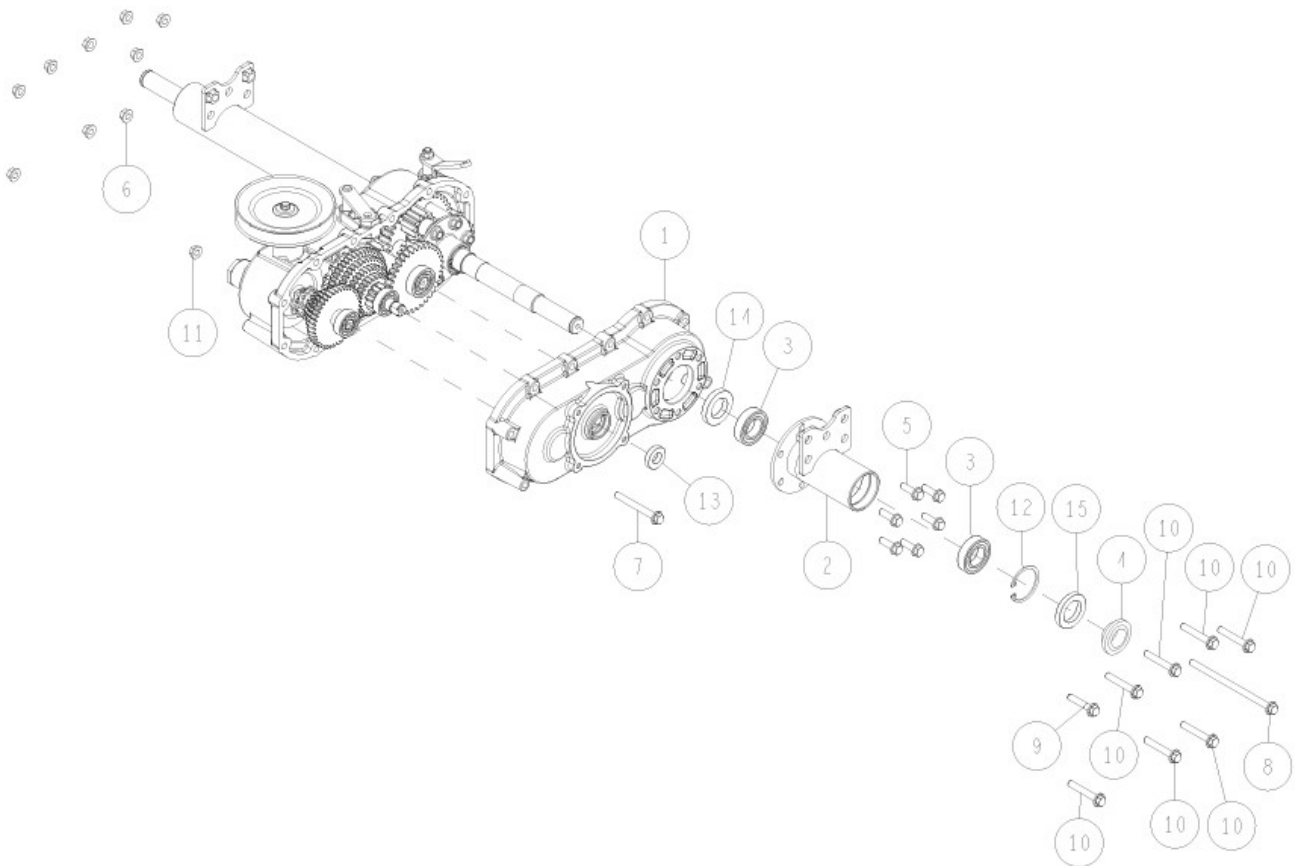


-	0244-11200	Push Rod	1	3、19
20	89-2521-000120	E Type Ring 12	1	
19	89-2511-000130	Snap Ring (S13)	1	
18	89-2132-060002	Snap Pin 6 (with stopper)	3	
17	89-1711-060002	Flat Washer 6	3	
16	89-1531-060042	Flange Nut M6	2	
15	89-1233-080202	Mini Hexagonal Bolt (PWSW) M8*20	4	
14	89-1137-060152	Hexagonal Bolt (PW) M6*15	2	
13	0342-10100	Up/Down Adjusting Shaft Stay	4	
12	0316-2010H	Frame CMP (RM83G) (Metallic Grey)	1	
11	0310-72200	Safety Switch Push Plate (RM830/83G)	1	
10	0310-1050H	Knife Clutch Lever CMP (RM83G) (Metallic Grey)	1	
9	0310-1042H	Up/Down Adjusting Shaft CMP (RM830/83G) (Metallic Grey)	1	
8	0289-71300	Arm Grip (Red)	1	
7	0284-71300	Cutting Clutch Wire	1	
6	0284-71100	Knife Brake Wire	1	
5	0244-70200	Adjusting Shaft Grip	1	
4	0244-13700	Wire Joint CMP	1	
3	0244-10600	Push Rod	1	
2	0207-74400	Safety Switch K17850	1	
1	0207-72800	Switch Lock Nut	1	
No	Part number	Part name	Qty	Remarks

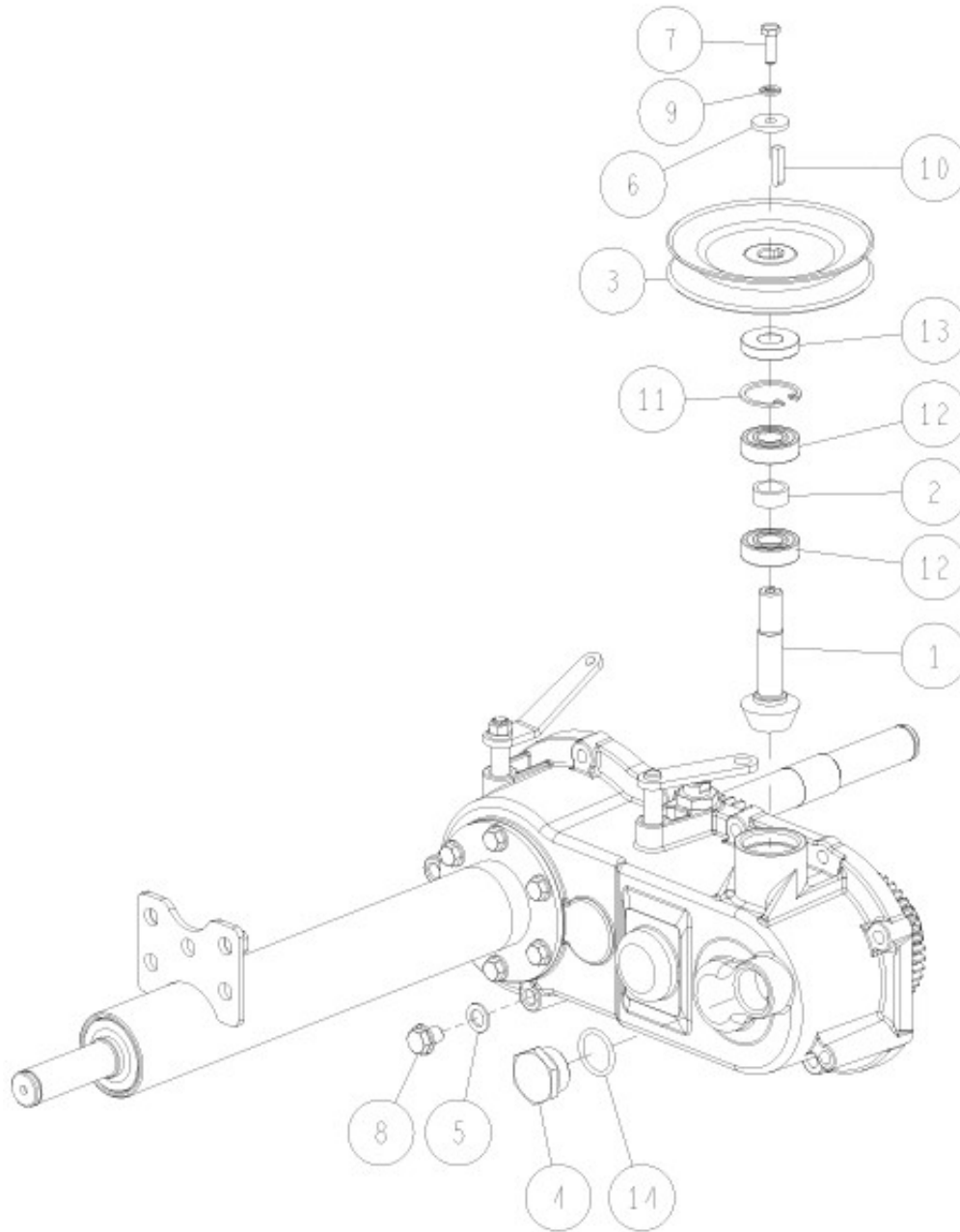


-	0316-73000	Brake Assy	1	1, 2, 3, 4, 6, 11, 12, 13
-	0316-73100	Brake Assy (without PK)	1	1, 2, 3, 4, 11, 12, 13
-	0316-73200	Brake Cap Assy	1	2, 3, 4, 11, 12, 13
14	89-2511-000150	Snap Ring (S15)	1	
13	89-1750-100002	Spring Washer 10	1	
12	89-1712-100002	Flat Washer 10*21*2.1	1	
11	89-1511-100042	Hexagonal Nut M10	1	
10	89-1253-080552	Flange Mini Hexagonal Bolt (8T) M8*55	1	
9	89-1251-081403	Flange Mini Hexagonal Bolt M8*140	1	
8	83-1484-255-00	Lock Nut ZUF M8	2	
7	83-1020-148-00	Tapping Bolt M6*14	4	
6	0308-00300	Brake Cover PK (PA-7)	1	
5	0294-0020H	Mission Guard (Metallic Grey)	1	
4	0244-88100	Brake Shoe Set (PA-7)	1	
3	-	Brake cover & brake arm	1	※Only when ASSY parts are supplied
2	80-1030-285-00	Spring for Brake Shoe Return	1	
1	80-1030-282-00	Brake Drum (PA-7)	1	
No	Part number	Part name	Qty	Remarks

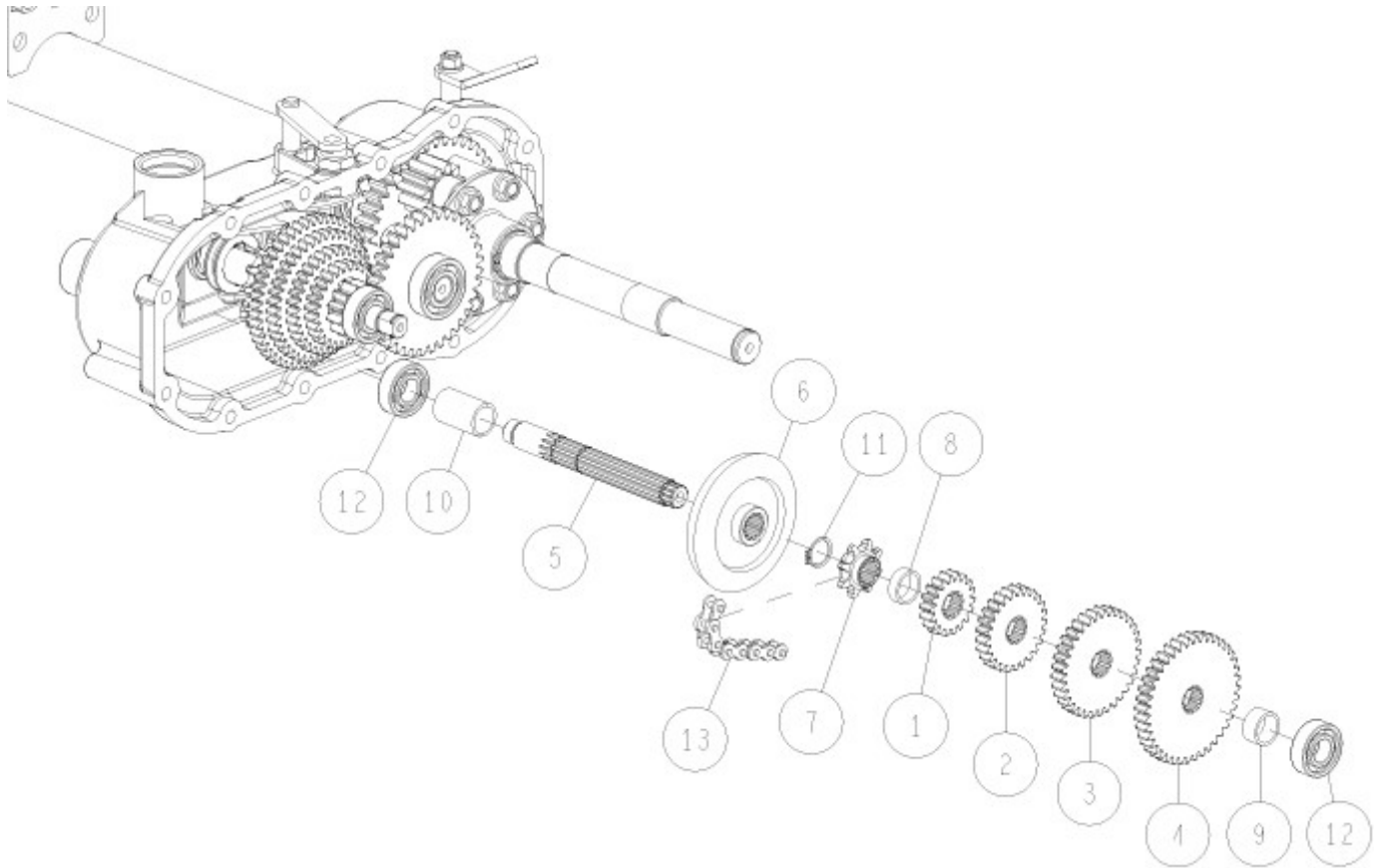
17/47 Mission Part 2/8



-	0244-08000	Oil Seal 25.47.15(with DP)	1	4、15
15	89-5121-304707	Oil Seal UE 30.47.7	1	
14	89-5121-284708	Oil Seal UE 28.47.8	1	
13	89-5121-153007	Oil Seal UE 15.30.7	1	
12	89-2512-000470	Snap Ring (R47)	1	
11	89-1631-080042	Flange Mini Hexagonal Nut M8	1	
10	89-1253-080503	Flange Mini Hexagonal Bolt (8T) M8*50	1	
9	89-1253-080402	Flange Mini Hexagonal Bolt (8T) M8*40	2	
8	89-1251-081403	Flange Mini Hexagonal Bolt M8*140	1	
7	89-1251-080703	Flange Mini Hexagonal Bolt M8*70	1	
6	83-1484-255-00	Lock Nut ZUF M8	9	
5	83-1482-143-00	Tapping Bolt M8*25	6	
4	83-1415-663-00	Oil Seal DP 25.30.15	1	
3	0342-77800	Bearing 6005 2NSE-NB	2	
2	80-1484-A12-0H	Axle Case (R) (Metallic Grey)	1	
1	80-1482-103-00	Transmission Case (Right)	1	
No	Part number	Part name	Qty	Remarks

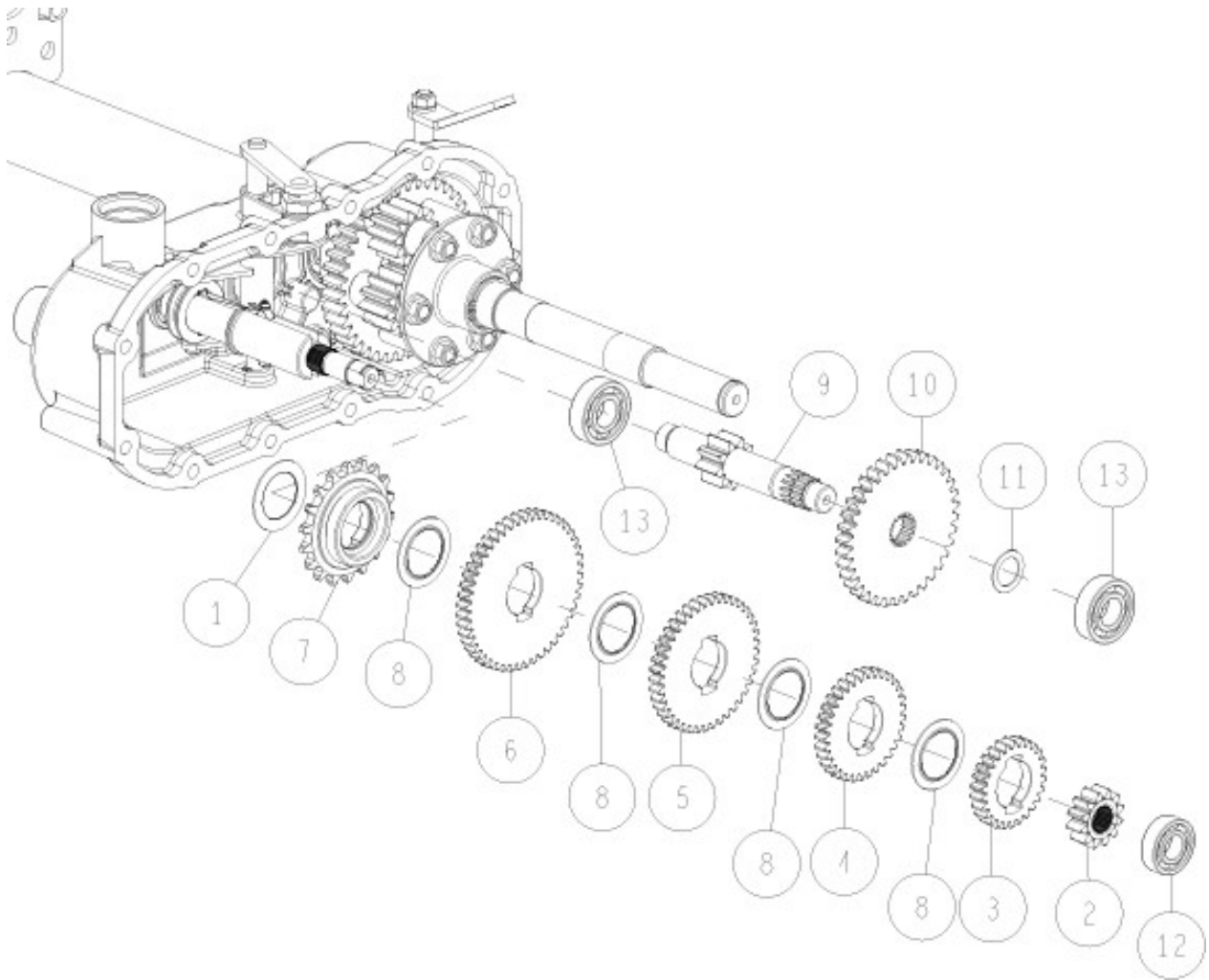


-	0289-01000	Oil Plug Assy (with O Ring)	1	4、14
14	89-5221-024000	O Ring P24	1	
13	89-5121-153507	Oil Seal UE 15.35.7	1	
12	89-3115-062024	Bearing 6202 2RS	2	
11	89-2512-000350	Snap Ring (R35)	1	
10	89-2151-050250	Key 5*25 (half round)	1	
9	89-1750-060002	Spring Washer 6	1	
8	89-1252-100123	Flange Mini Hexagonal Bolt M10*12 (slender)	1	
7	89-1113-060202	Hexagonal Bolt (8T) M6*20	1	
6	83-1482-311-00	Washer 6.5*22*3.2	1	
5	83-1020-349-00	Copper Packing 10.5*18*1.6	1	
4	0289-01100	Oil Plug Assy (without O Ring)	1	
3	80-1482-521-1H	Transmission Pulley (Metallic Grey)	1	
2	80-1482-119-00	A Axle Collar 9	1	
1	80-1481-118-00	A Axle 15T	1	
No	Part number	Part name	Qty	Remarks



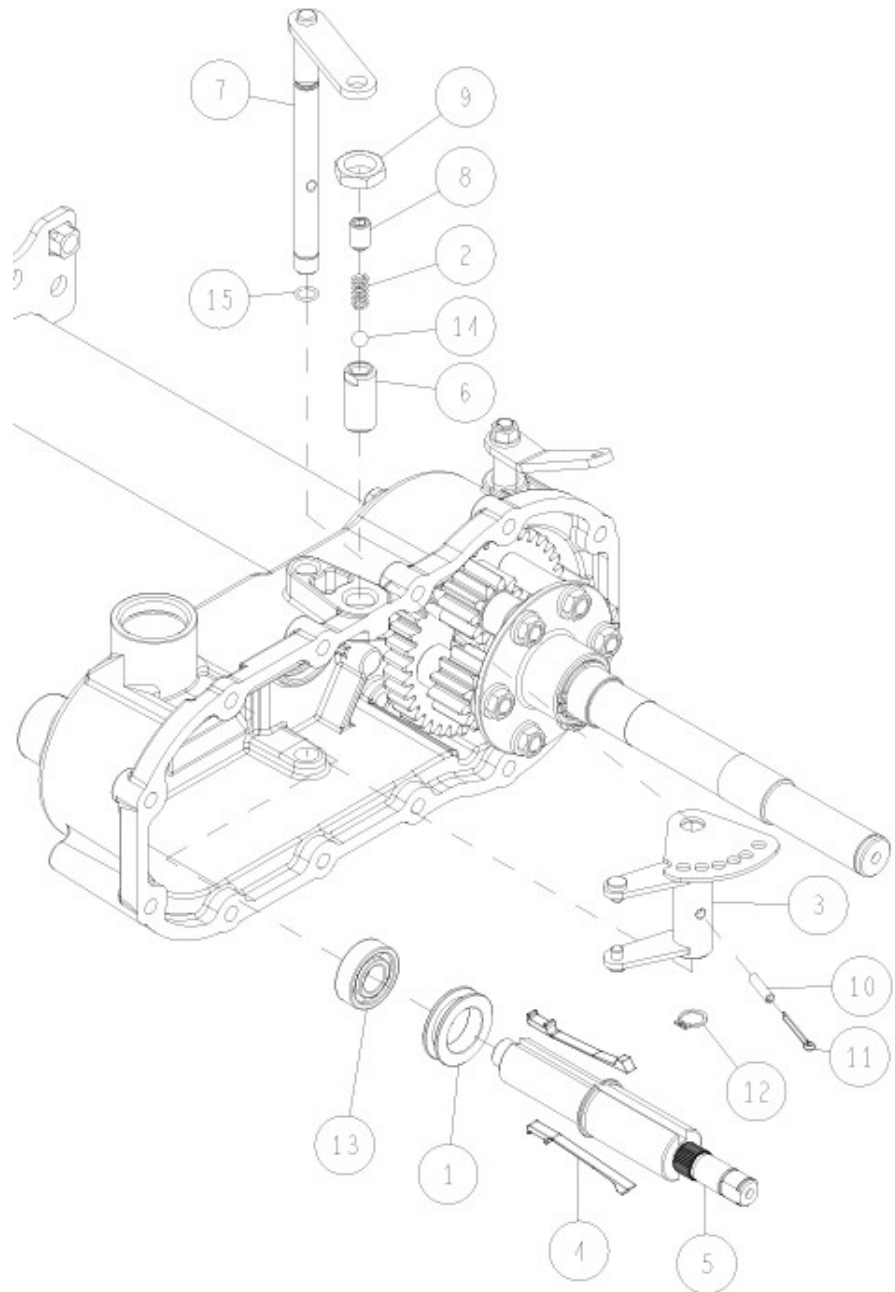
13	89-6513-420024	Chain #420-24L	1	
12	89-3111-062024	Bearing 6202	2	
11	89-2511-000170	Snap Ring (S17)	1	
10	80-1482-131-00	Collar 18*22*34	1	
9	80-1482-130-00	Collar 18*22*11	1	
8	80-1482-129-00	Collar 18*22*7	1	
7	80-1482-128-00	B Axle Sprocket 8T	1	
6	80-1482-127-00	Bevel Gear 45T	1	
5	80-1482-122-00	B Axle	1	
4	80-1481-126-00	B Axle Gear 40T	1	
3	80-1481-125-00	B Axle Gear 33T	1	
2	80-1481-124-00	B Axle Gear 25T	1	
1	80-1481-123-00	B Axle Gear 18T	1	
No	Part number	Part name	Qty	Remarks

20/47 Mission Part 5/8



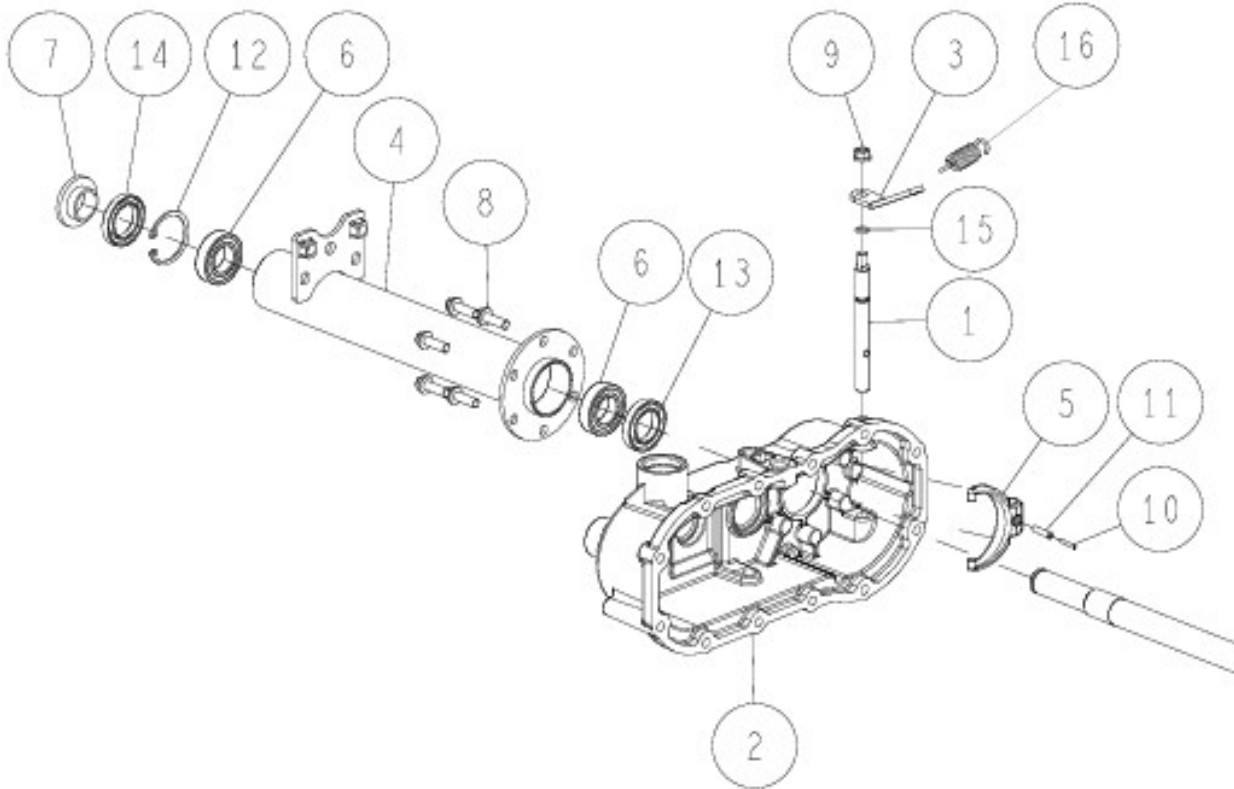
13	89-3111-062034	Bearing 6203	2	
12	89-3111-062024	Bearing 6202	1	
11	83-1830-368-00	Thrust Washer 18*26*1.0	1	
10	80-1482-144-00	D Axle Gear 36T	1	
9	80-1482-142-10	D Axle	1	
8	80-1482-139-00	C Axle Thrust Washer 29*44*1.0	4	
7	80-1482-138-00	Sprocket 18T	1	
6	80-1482-137-00	C Axle Gear 48T	1	
5	80-1482-136-00	C Axle Gear 41T	1	
4	80-1482-135-00	C Axle Gear 33T	1	
3	80-1482-134-00	C Axle Gear 26T	1	
2	80-1482-133-00	C Axle Gear 12T	1	
1	80-1481-139-00	C Axle Thrust Washer 29*40*1.0	1	
No	Part number	Part name	Qty	Remarks

21/47 Mission Part 6/8

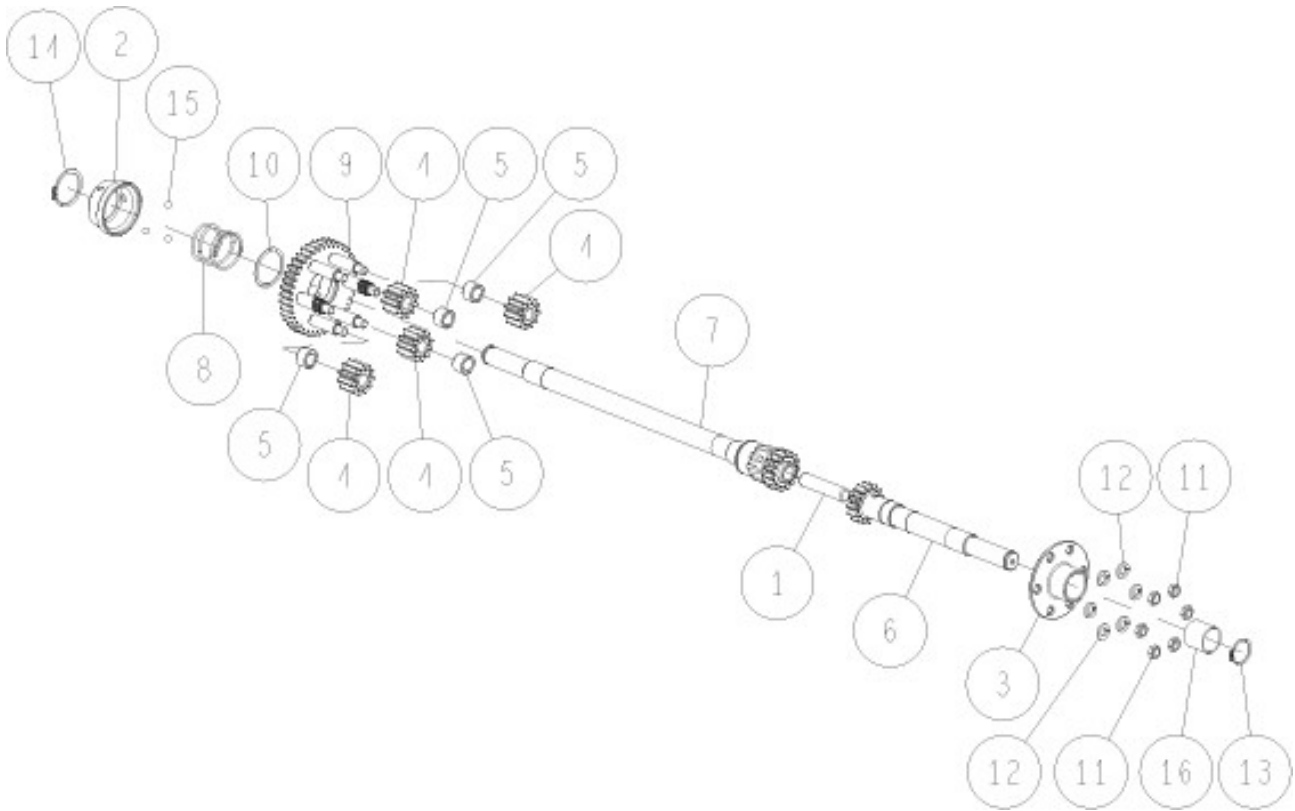


15	89-5221-009000	O Ring P9	1	
14	89-3410-080000	Steel Ball 8.0	1	
13	89-3111-062024	Bearing 6202	1	
12	89-2511-000120	Snap Ring (S12)	1	
11	89-2120-300252	Split Pin 3*25	1	
10	89-2111-050020	Spring Pin 5*20	1	
9	89-1514-160042	Hexagonal Nut (3 sorts) M16 (slender)	1	
8	89-1172-100165	Hexagonal Hole Screw M10*16	1	
7	80-1490-110-00	Shift Fork Shaft CMP	1	
6	80-1482-162-00	Screw for Adjusting Notch	1	
5	80-1482-132-10	C Axle	1	
4	80-1482-113-00	Shift Key	2	
3	80-1482-108-00	Shift Fork	1	
2	80-1481-160-00	Pushing Spring 1.0	1	
1	80-1481-111-00	Shift Key Holder	1	
No	Part number	Part name	Qty	Remarks

22/47 Mission Part 7/8

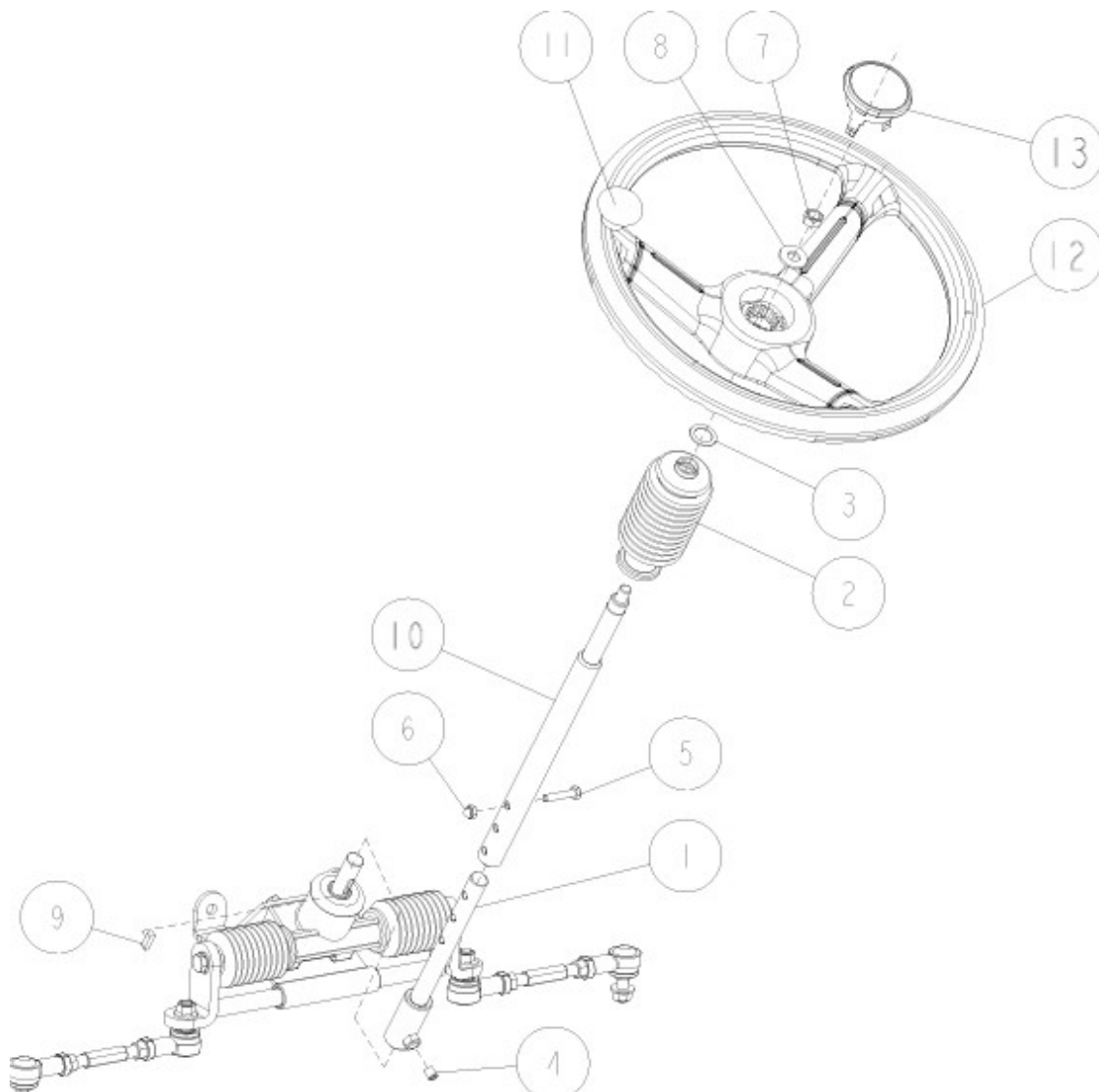


-	0244-08000	Oil Seal 25.47.15(with DP)	1	7、14
16	80-1425-551-00	Differential Lock Spring	1	
15	89-5221-009000	O Ring P9	1	
14	89-5121-304707	Oil Seal UE 30.47.7	1	
13	89-5121-284708	Oil Seal UE 28.47.8	1	
12	89-2512-000470	Snap Ring (R47)	1	
11	89-2111-050022	Spring Pin 5*22	1	
10	89-2111-030020	Spring Pin 3*20	1	
9	89-1543-080002	Mini Hexagonal Nut (SW) M8	1	
8	83-1482-143-00	Tapping Bolt M8*25	6	
7	83-1415-663-00	Oil Seal DP 25.30.15	1	
6	0342-77800	Bearing 6005 2NSE-NB	2	
5	80-1830-113-00	Differential Lock Fork	1	
4	80-1488-156-0H	Axle Case (Left) CMP (Metallic Grey)	1	
3	80-1484-A13-00	Differential Lock Arm	1	
2	80-1482-101-00	Transmission Case (Left)	1	
1	80-1481-116-00	Differential Lock Fork Axle	1	
No	Part number	Part name	Qty	Remarks

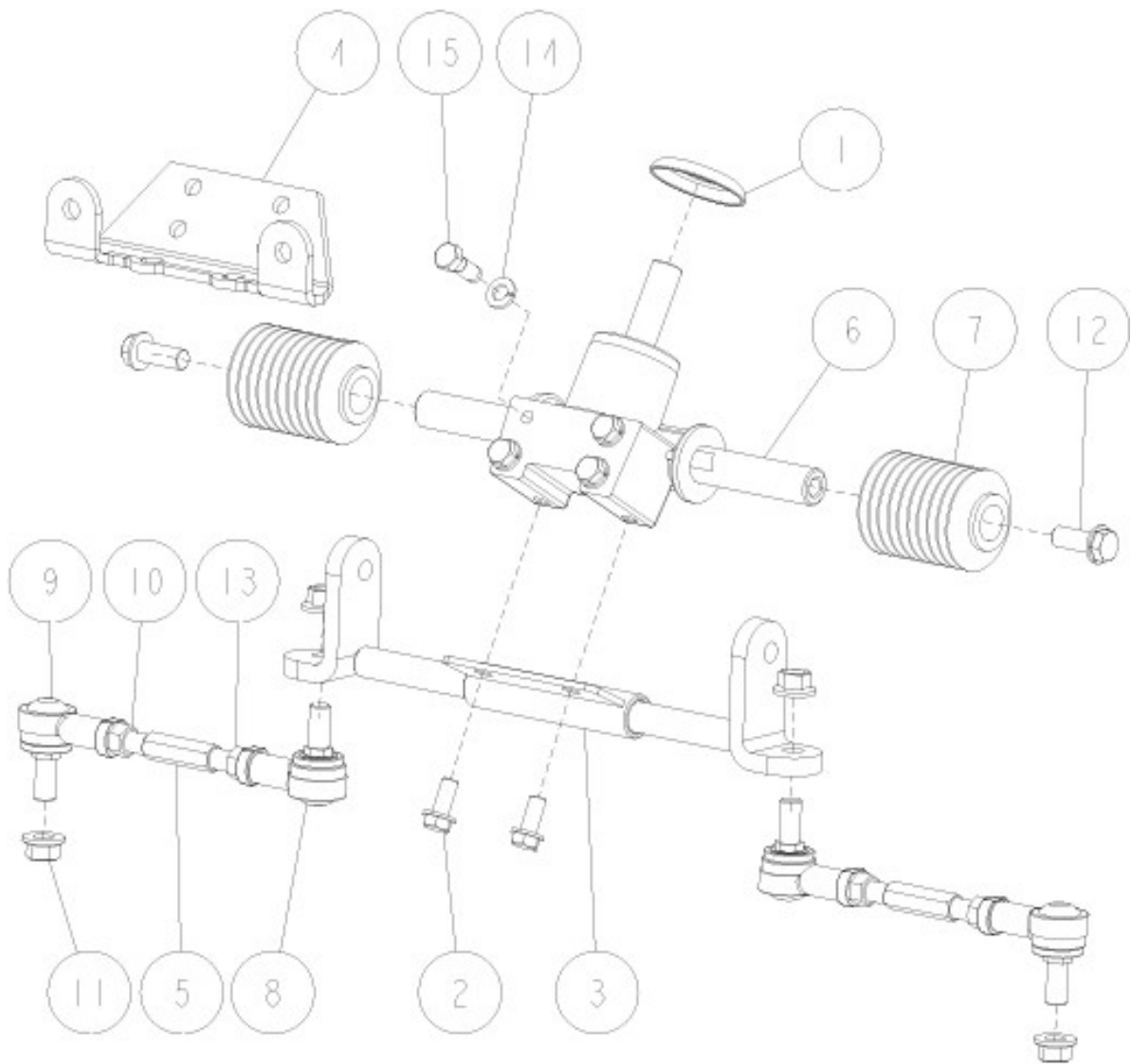


16	89-3510-028300	DU Bush 28.30	1	
15	89-3410-075000	Steel Ball 7.5	3	
14	89-2511-000400	Snap Ring (S40)	1	
13	89-2511-000280	Snap Ring (S28)	1	
12	89-1750-100002	Spring Washer 10	6	
11	89-1613-100042	Mini Hexagonal Nut (3 sorts) M10	6	
10	83-1830-382-00	Thrust Washer 40*48*1.0	1	
9	0207-02800	Axle Gear CMP	1	
8	80-1751-162-00	Differential Lock Spring	1	
7	80-1491-146-10	Axle (L) CMP	1	
6	80-1490-147-10	Axle (R) CMP	1	
5	80-1481-155-00	Differential Gear Shaft Collar	4	
4	80-1481-152-00	Differential Lock Gear 11T	4	
3	80-1481-151-00	Differential Lock Plate	1	
2	80-1425-143-00	Differential Lock Cone	1	
1	80-1415-150-00	Axle Pin	1	
No	Part number	Part name	Qty	Remarks

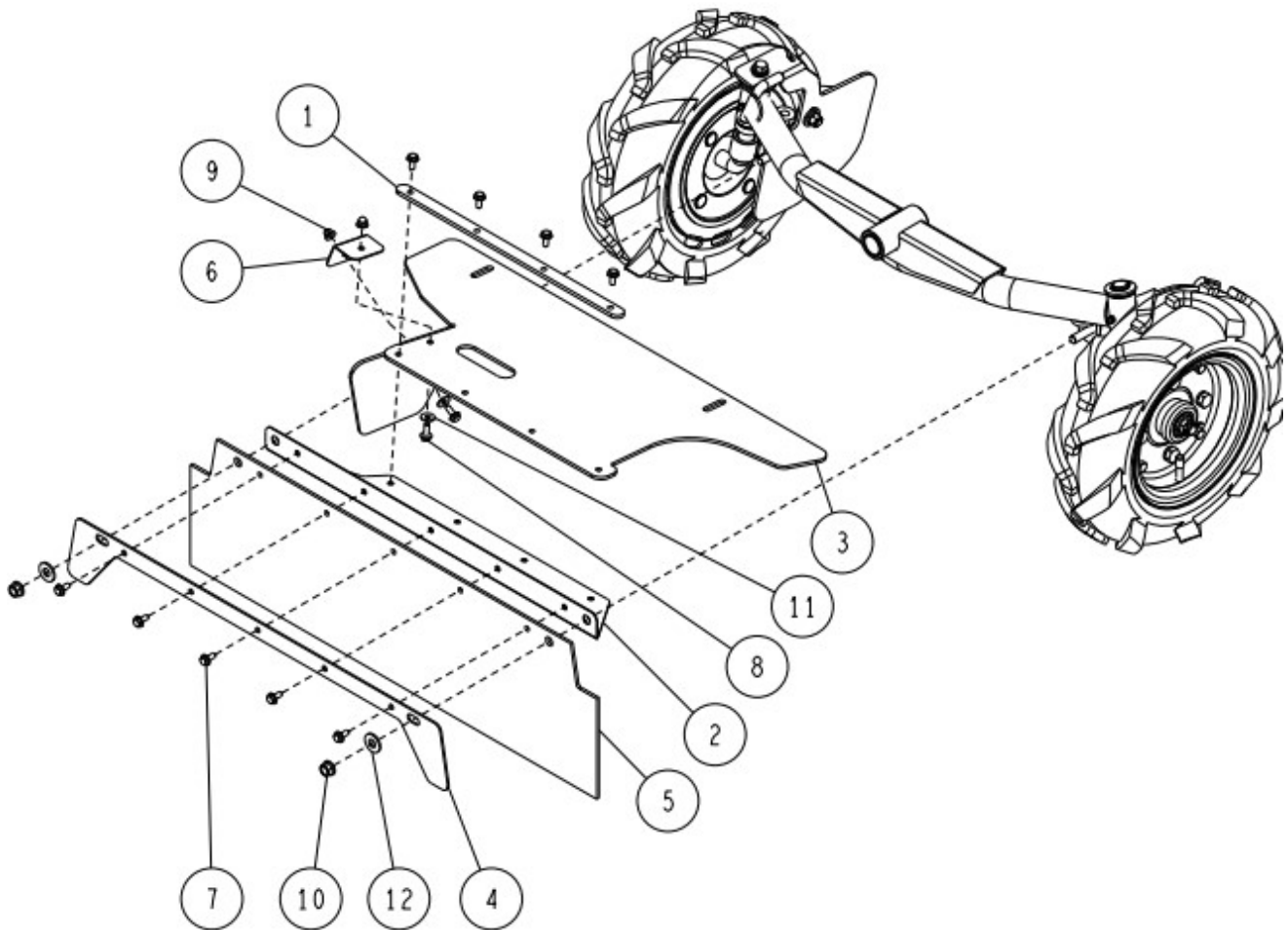
24/47 Handle 1/2



-	0262-70100	Steering Wheel Assy	1	11, 12, 13
13	0262-70500	Steering Cap	1	
12	0262-70400	Steering Wheel	1	
11	0262-70300	Sub Handle Assy	1	
10	0262-10200	Steering Upper Shaft	1	
9	89-2150-050200	Key 5*20 (round)	1	
8	89-1713-100002	Flat Washer 10 (large)	1	
7	89-1561-100002	Mini Hexagonal U Nut M10	1	
6	89-1553-060002	Bag Hexagonal U Nut M6	1	
5	89-1113-060302	Hexagonal Bolt (8T) M6*30	1	
4	83-1493-149-00	Hexagonal Screw M8*10	1	
3	83-1020-363-00	Thrust Washer 16*24*1.0	1	
2	80-1484-325-00	Steering Shaft Cover	1	
1	80-1481-324-20	Steering Lower Shaft	1	
No	Part number	Part name	Qty	Remarks

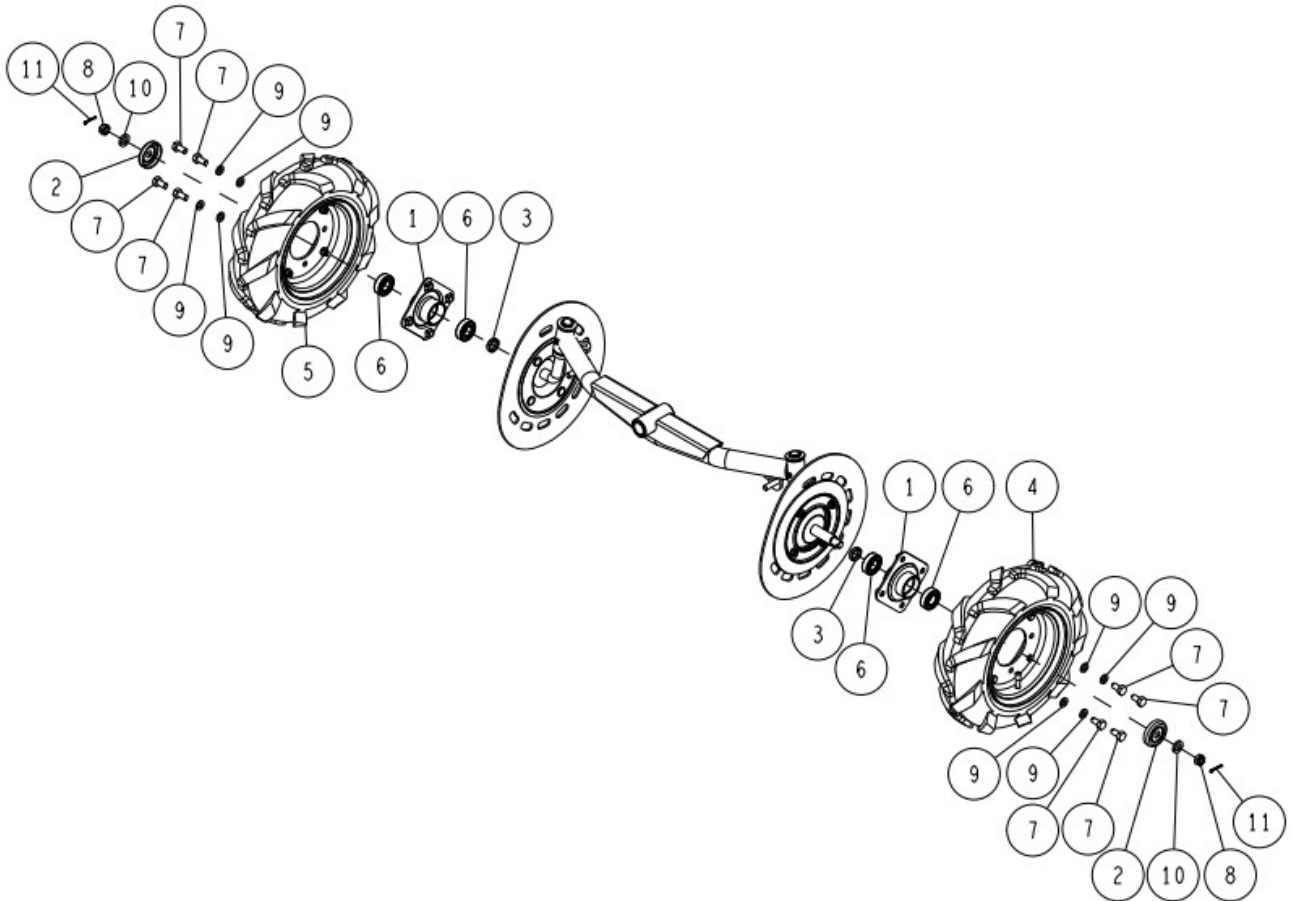


-	80-1493-320-00	Tie rod adjusterASSY	2	5、8、9、10、13
15	0314-70100	Mini Hexagonal Bolt (Meck) M8*22	4	
14	89-1750-080002	Spring Washer 8	4	
13	89-1612-100042	Mini Hexagonal Nut (Slender) M10	2	
12	89-1254-100252	Flange Mini Hexagonal Bolt M10*25 P=1.25	2	
11	83-1493-255-00	Flange Lock Nut M10 (slender)	4	
10	83-1493-195-00	Hexagonal Nut (slender) M10 Left	2	
9	80-1493-963-00	Link Ball LHSA 10DLE21	2	※首部にLの刻印有り
8	80-1493-962-00	Link Ball LHSA 10DE21	2	
7	80-1490-967-00	Steering Boots	1	
6	80-1484-962-10	Steering Gear Box Assy	1	
5	80-1484-329-10	Tie Rod Adjuster	2	
4	80-1484-327-2H	Steering Bracket (Metallic Grey)	1	
3	80-1484-321-3H	Rack Support (Metallic Grey)	1	
2	80-1020-719-00	Hexagonal Tap Tight M8*18	2	
1	80-1016-461-00	Bearing Cover	1	
No	Part number	Part name	Qty	Remarks



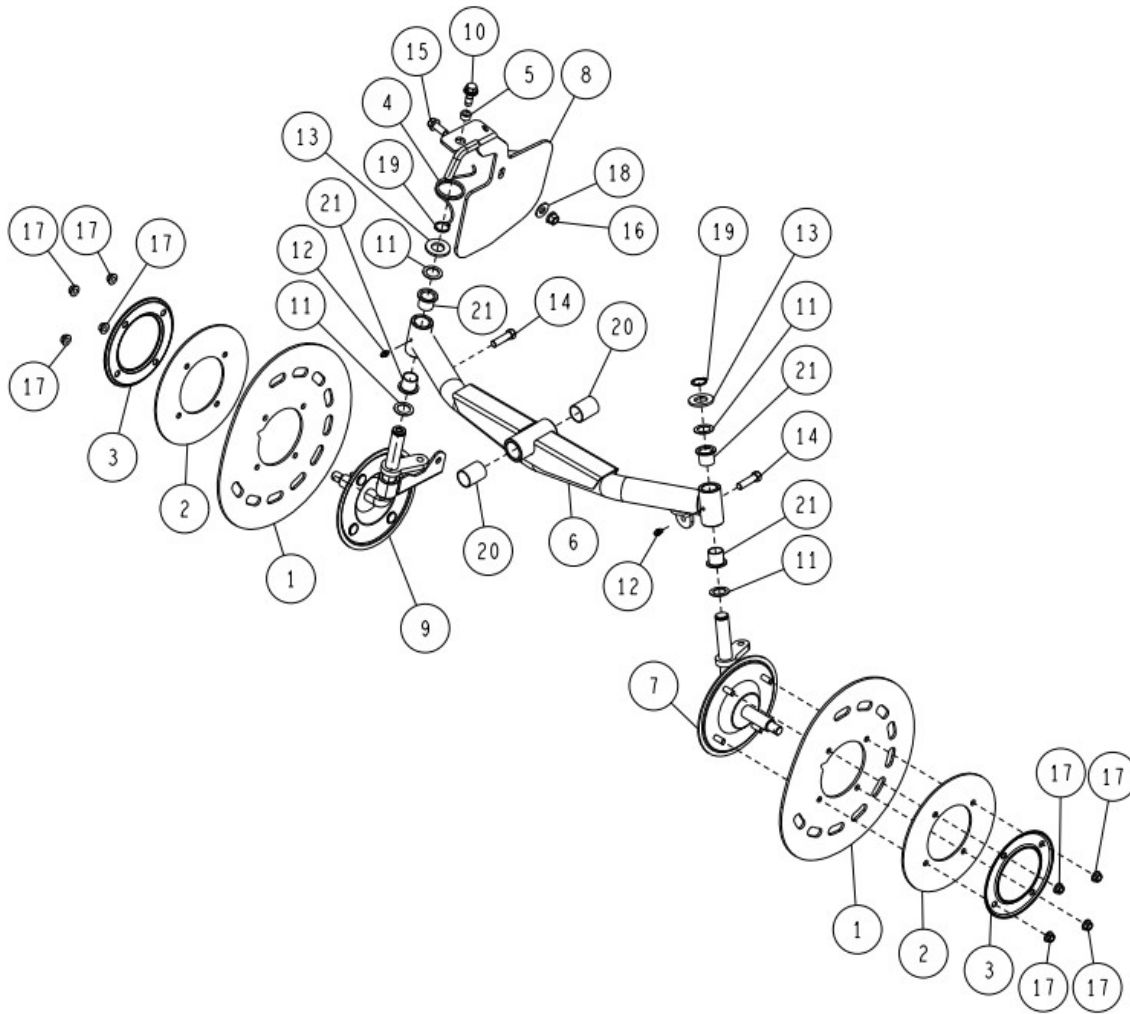
12	89-1713-100002	Flat Washer 10 (large)	2	
11	89-1713-060002	Flat Washer 6 (large)	2	
10	89-1631-100042	Flange Mini Hexagonal Nut M10	2	
9	89-1581-060042	Flange Cap Nut M6	2	
8	89-1137-060172	Hexagonal Bolt (PW) M6*17	2	
7	89-1137-060152	Hexagonal Bolt (PW) M6*15	9	
6	0322-31500	Upper Flapper Holder (R)	1	
5	0310-30900	Front Flapper	1	
4	0310-3080H	Front flapper retainer plate (Metallic Grey)	1	
3	0310-30700	Upper Flapper	1	
2	0310-3060H	Front Upper Guard CMP (Metallic Grey)	1	
1	80-1417-785-0H	Supporter for Flapper (Metallic Grey)	1	
No	Part number	Part name	Qty	Remarks

27/47 Front section 2/3

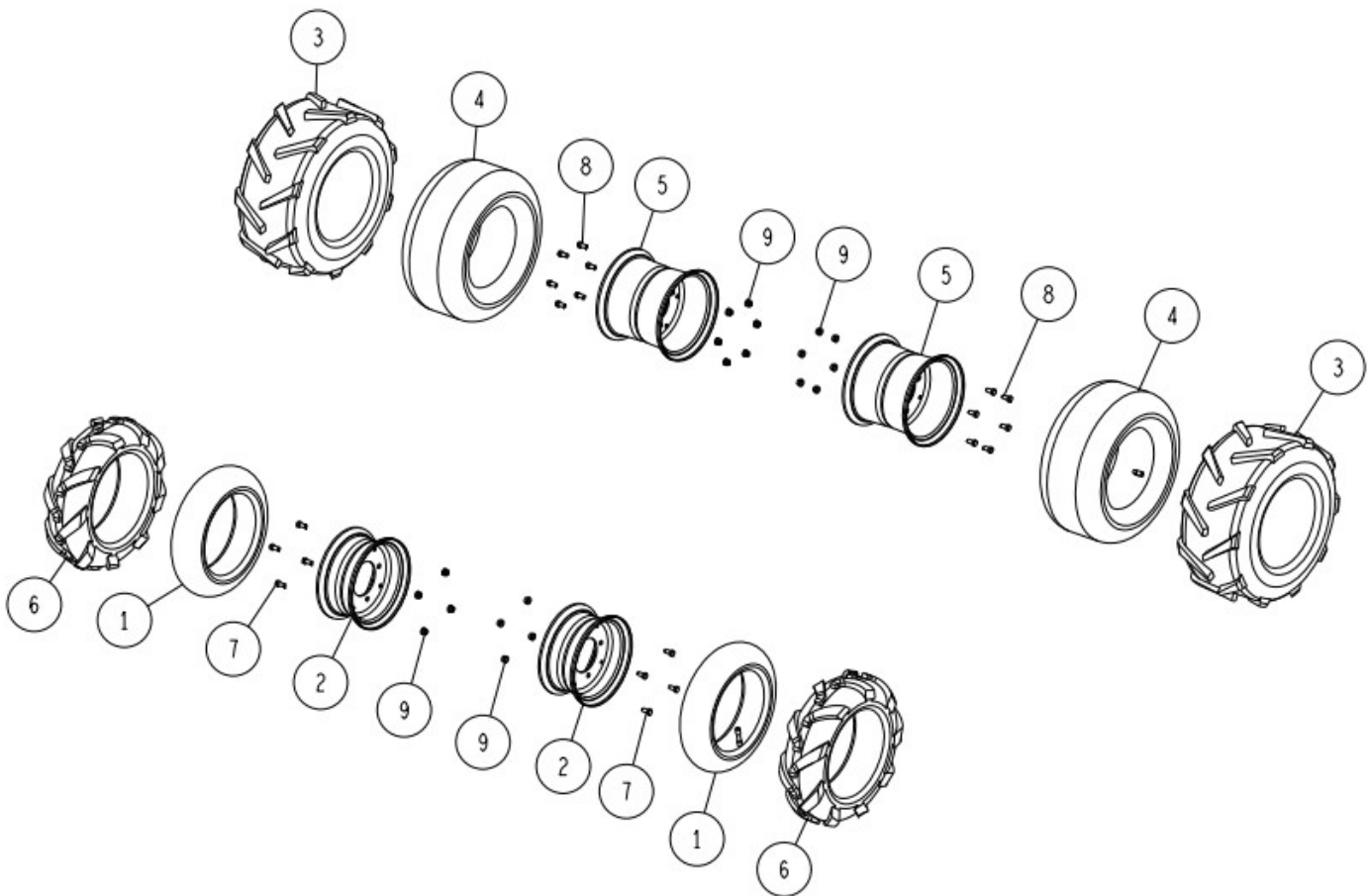


11	89-2120-250252	Split Pin 2.5*25	2	
10	89-1750-140002	Spring Washer 14	2	
9	89-1750-100002	Spring Washer 10	8	
8	89-1668-140042	Mini Low Fluted Nut (2 sorts) M14	2	
7	89-1113-100202	Hexagonal Bolt (8T) M10*20	8	
6	0342-77700	Bearing 6004 2NSE-NB	2	
5	0322-35000	Tire Assy (R) 3.50-7 (TA)	1	詳細P31
4	0322-34000	Tire Assy (L) 3.50-7 (TA)	1	詳細P31
3	0207-31100	King Pin Collar	2	
2	0207-30500	Front Wheel Dust Cover	2	
1	0207-30411	Front Wheel Boss CMP (White)	2	
No	Part number	Part name	Qty	Remarks

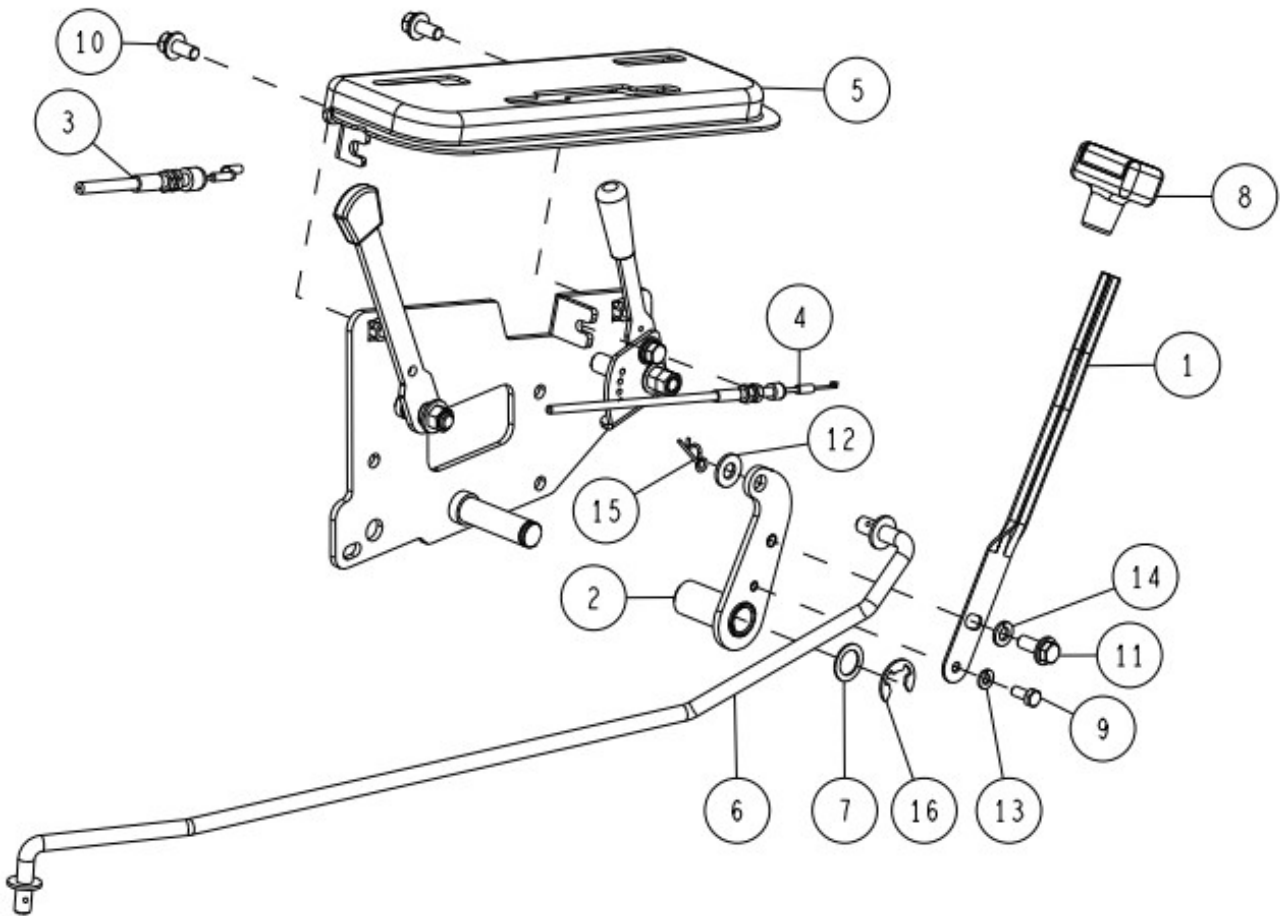
28/47 Front section 3/3



21	89-3511-020200	DU Bush 20.20.31F	4	
20	89-3510-025350	DU Bush 25.35	2	
19	89-2511-000200	Snap Ring (S20)	2	
18	89-1713-100002	Flat Washer 10 (large)	1	
17	89-1631-080042	Flange Mini Hexagonal Nut M8	8	
16	89-1543-100002	Mini Hexagonal Nut (SW) M10	1	
15	89-1232-100252	Mini Hexagonal Bolt (SW) M10*25	1	
14	89-1213-100352	Mini Hexagonal Bolt (8T) M10*35	2	
13	83-1490-337-00	Washer 20*38*3.2	2	
12	83-1415-975-00	Grease Nipple M6	2	
11	83-1310-371-00	Thrust Washer 20*30*1.0	4	
10	0312-74300	Hexagonal Bolt (7T-SW.PW) M10*30 (Meck)	1	
9	0310-3120H	King Pin for Scattering Guard (Metallic Grey)	1	
8	0310-3030H	Scatter Guard CMP (Metallic Grey)	1	
7	0284-3031H	King Pin (L) CMP (RM60G) (Metallic Grey)	1	
6	0284-3010H	Front Axle CMP (Metallic Grey)	1	
5	0259-30600	Protector Collar	1	
4	0259-30500	Protector Return Spring	1	
3	0207-30900	Front Wheel Rubber Cover Support	2	
2	0207-30800	Front Wheel Rubber Cover (IN) for 7inch	2	
1	0207-30600	Front Wheel Rubber Cover	2	
No	Part number	Part name	Qty	Remarks

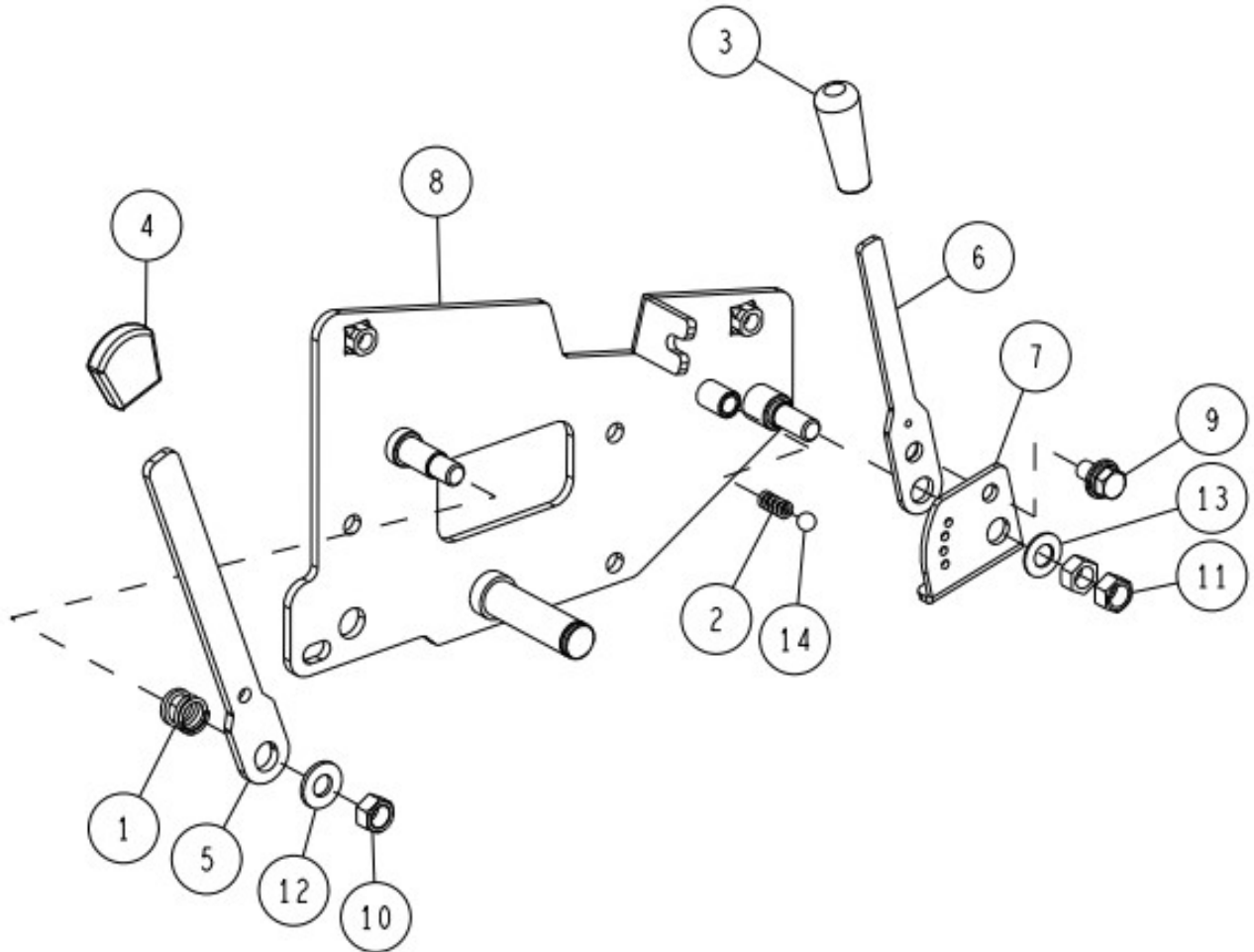


	80-1751-412-00	Tire (R) Assy (16*7.00-8)	1	3,4,5,8,9
	80-1751-411-00	Tire (L) Assy (16*7.00-8)	1	3,4,5,8,9
-	0322-35000	Tire Assy (R) 3.50-7 (TA)	1	1,2,6,8,9
-	0322-34000	Tire Assy (L) 3.50-7 (TA)	1	1,2,6,8,9
9	89-1543-080002	Mini Hexagonal Nut (SW) M8	20	
8	89-1213-080162	Mini Hexagonal Bolt (8T) M8*16	12	
7	89-1211-080162	Mini Hexagonal Bolt M8*16	8	
6	0322-32100	Tire 3.50-7 (TA)	2	
5	80-1751-407-00	Wheel Assy 16*700*8	2	
4	80-1751-404-00	Tire Tube 16*700*8	2	
3	80-1751-401-00	Tire 16*700*8	2	
2	80-1260-407-00	Wheel Assy 3.50-7	2	
1	80-1260-404-00	Tire Tube 3.50-7	2	
No	Part number	Part name	Qty	Remarks



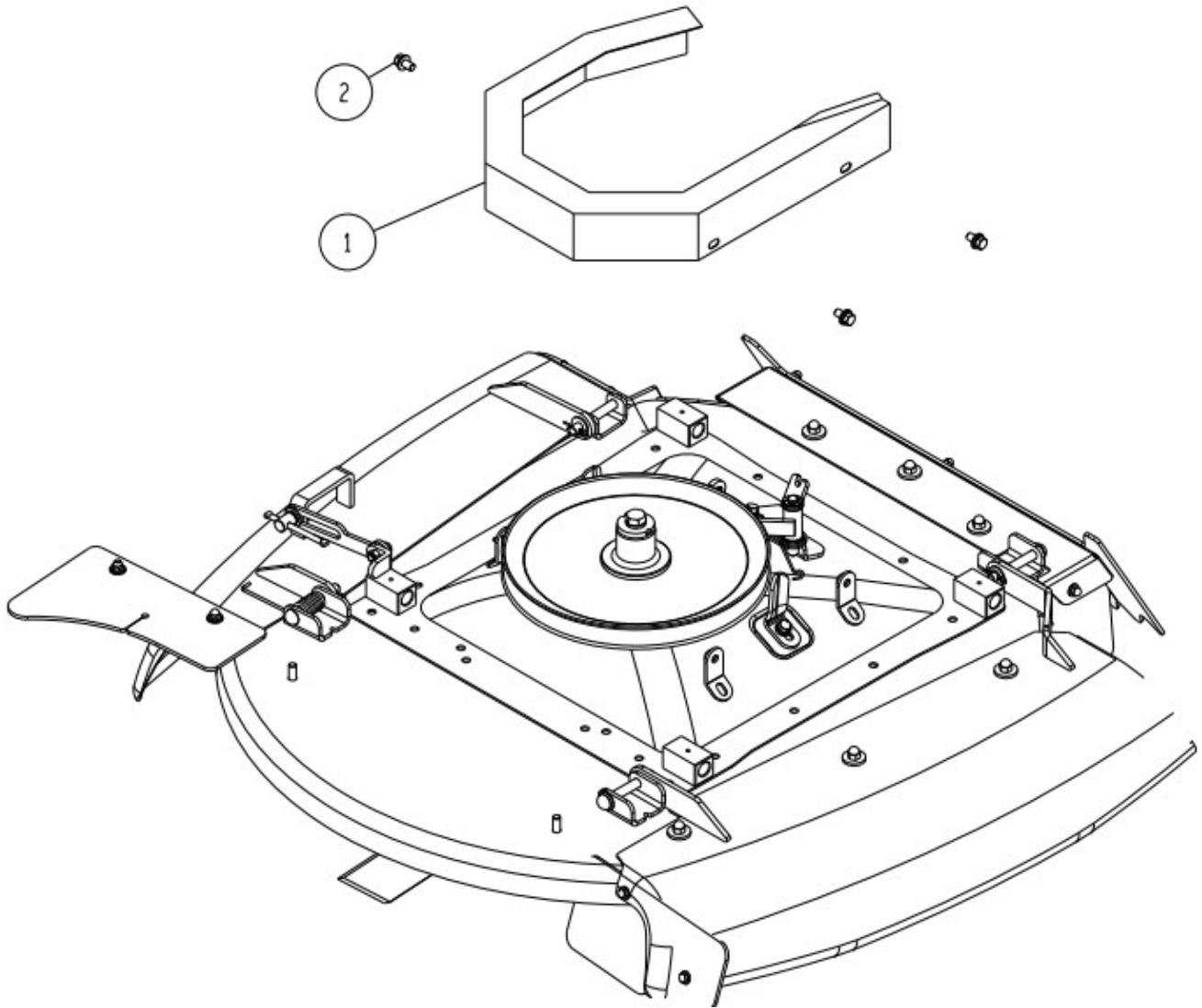
17	83-1483-957-00	Choke Wire	1	
16	89-2521-000150	E Type Ring 15	1	
15	89-2131-100002	Snap Pin 10	2	
14	89-1750-080002	Spring Washer 8	1	
13	89-1750-060002	Spring Washer 6	1	
12	89-1712-100000	Flat Washer 10	2	
11	89-1251-080202	Flange Mini Hexagonal Bolt M8*20	1	
10	89-1233-080202	Mini Hexagonal Bolt (PWSW) M8*20	2	
9	89-1113-060143	Hexagonal Bolt (8T) M6*14	1	
8	83-1417-435-00	Lever Grip (Red)	1	
7	83-1020-363-00	Thrust Washer 16*24*1.0	1	
6	0316-10300	Shift Rod CMP (RM83G)	1	
5	0316-1110G	Control Guide B CMP (Green)	1	OR
	0316-1110H	Control Guide B CMP (Metallic Grey)	1	YB
	0316-11101	Control Guide B CMP (White)	1	IA
4	0244-72100	Throttle Wire (B)	1	
3	0284-71200	Differential Lock Wire	1	
2	0247-2640H	Change Lever Boss CMP (Metallic Grey)	1	
1	80-1490-263-10	Change Lever CMP	1	
No	Part number	Part name	Qty	Remarks

31/47 Control Section 2/2



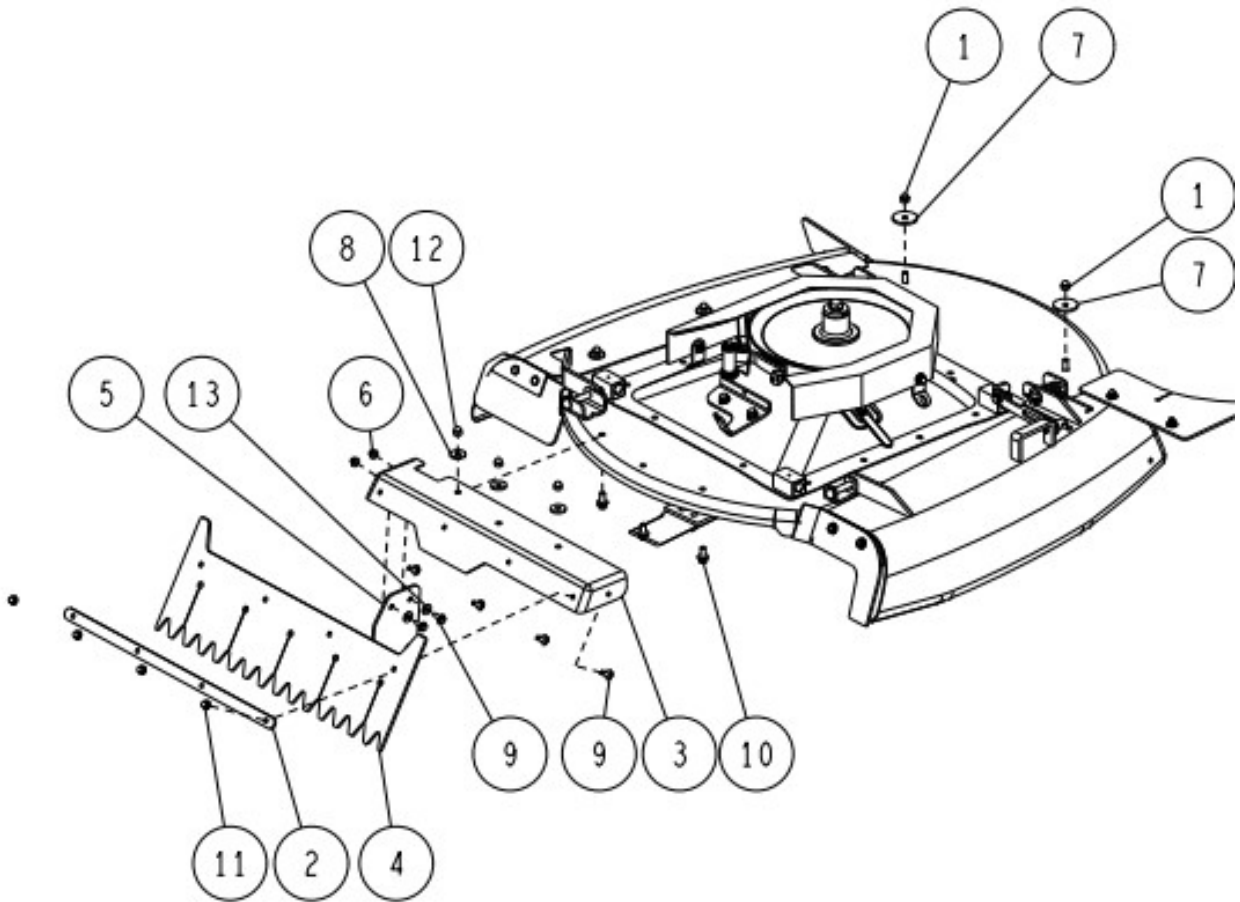
14	89-3410-080000	Steel Ball 8.0	1	
13	89-1852-100001	Belleville Spring H10	1	
12	89-1712-100000	Flat Washer 10	1	
11	89-1611-100042	Mini Hexagonal Nut M10	2	
10	89-1561-100002	Mini Hexagonal U Nut M10	1	
9	89-1233-080162	Mini Hexagonal Bolt (PWSW) M8*16	1	
8	0316-1010H	Change Bracket CMP (RM83G) (Metallic Grey)	1	
7	0310-1020H	Throttle Ajustment Plate (RM830) (Metallic Grey)	1	
6	0310-10100	Throttle Lever (RM830)	1	
5	0284-10500	Differential Lock Lever CMP	1	
4	0215-70600	Lever Grip (Red)	1	
3	0207-72600	Lever Grip 8 (Black)	1	
2	0031-01700	Shift Spring	1	
1	80-1020-263-00	Control Lever Shaft Spring	1	
No	Part number	Part name	Qty	Remarks

32/47 Cutting Deck section 1/7



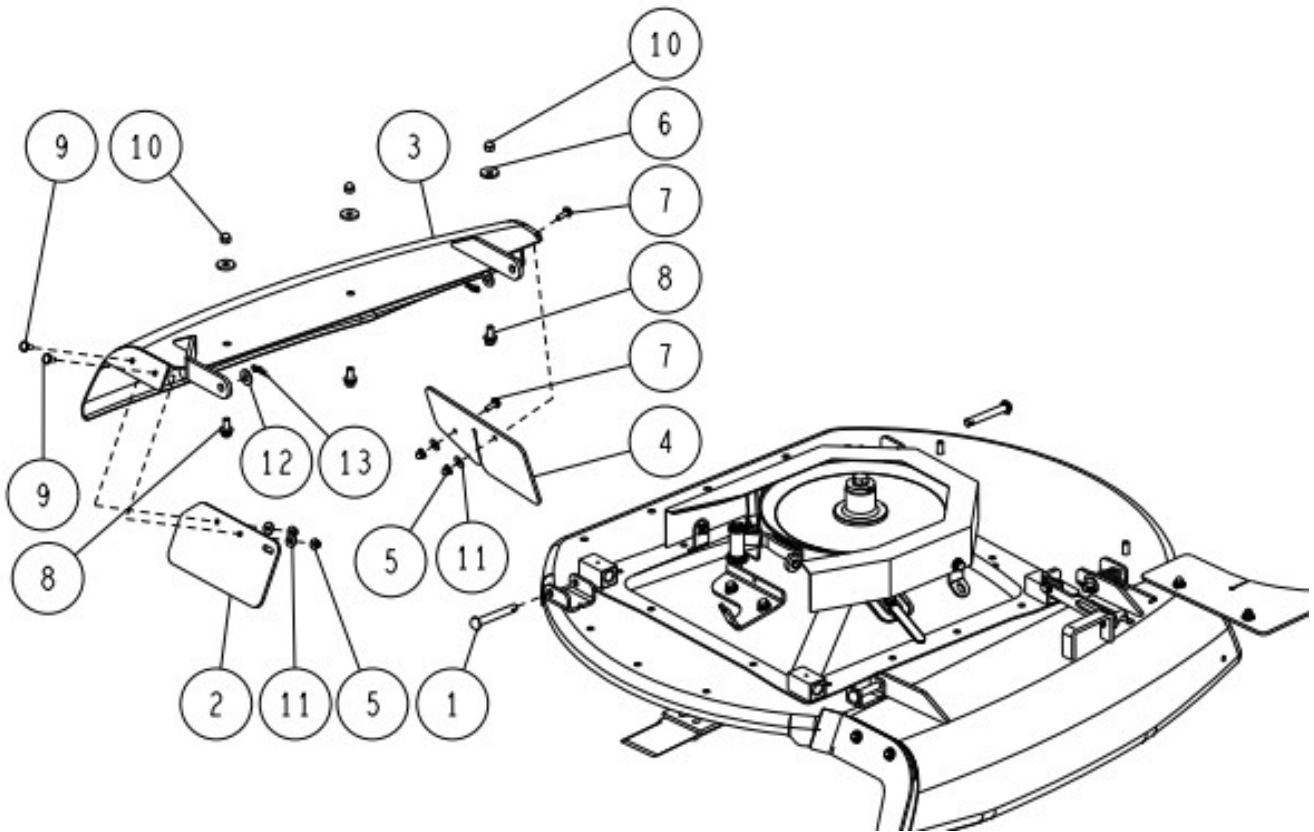
2	89-1233-080162	Mini Hexagonal Bolt (PWSW) M8*16	3	
1	80-1484-501-3H	Knife belt cover CMP (Metallic Grey)	1	
No	Part number	Part name	Qty	Remarks

33/47 Cutting Deck section 2/7



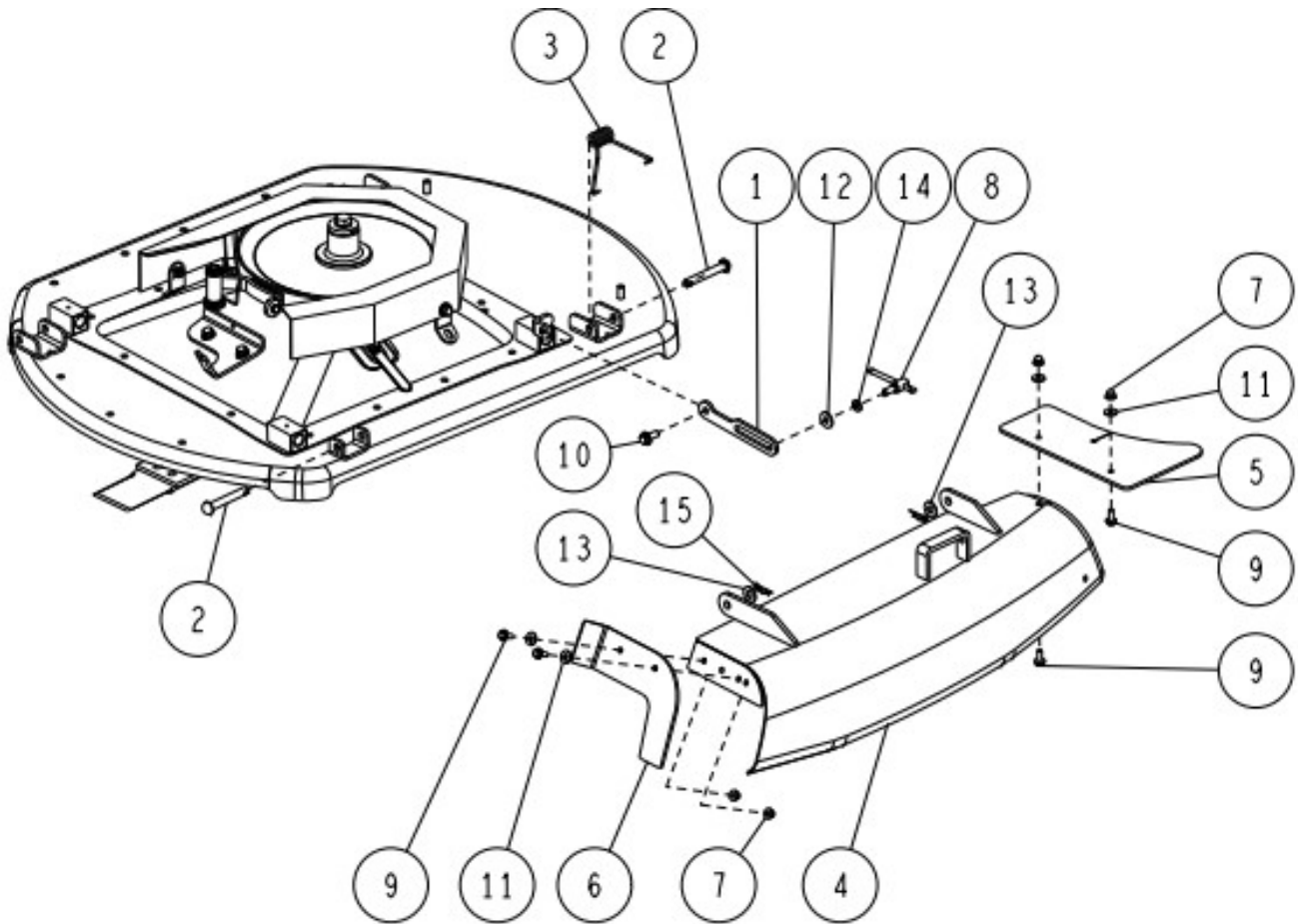
13	89-1713-060002	Flat Washer 6 (large)	1	
12	89-1671-080042	Mini Cap Nut M8	3	
11	89-1581-060042	Flange Cap Nut M6	3	
10	89-1233-080202	Mini Hexagonal Bolt (PWSW) M8*20	3	
9	89-1137-060172	Hexagonal Bolt (PW) M6*17	4	
8	83-1751-312-00	Washer 8*25*3.2	3	
7	83-1020-314-00	Washer 8*40*2.3	2	
6	0312-77500	Flange Cap Nut M6 (Meck)	1	
5	0244-62600	Side Flapper (Rear)	1	
4	0316-60200	Rear Flapper (RM83G)	1	
3	0316-6010H	Rear Guard (RM83G) (Metallic Grey)	1	
2	0294-6070H	Rear Flapper Holder (Metallic Grey)	1	
1	0208-31000	Mini Hexagonal U Cap Nut M8 (Meck)	2	
No	Part number	Part name	Qty	Remarks

34/47 Cutting Deck section 3/7



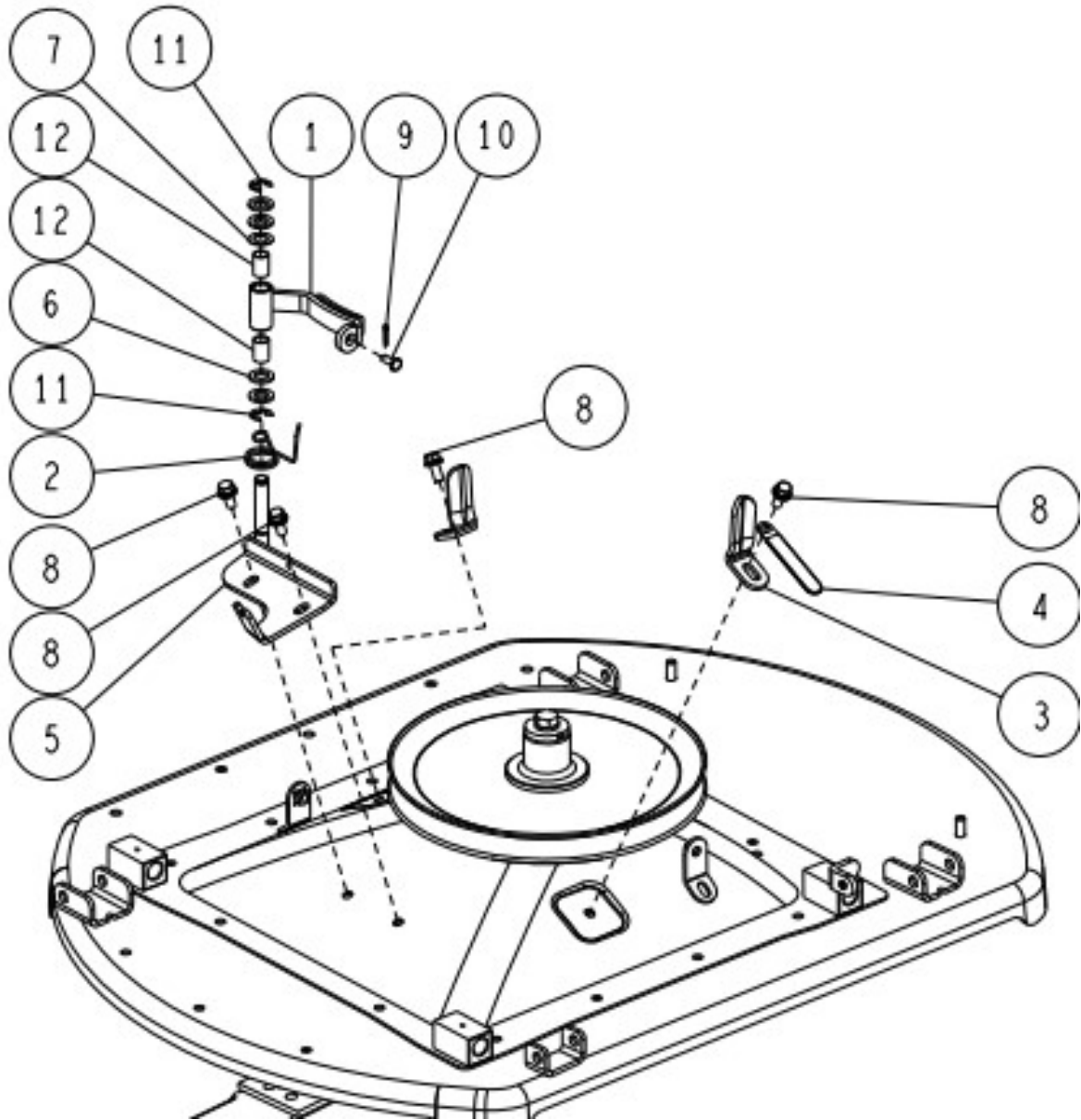
13	89-2131-100002	Snap Pin 10	2	
12	89-1714-100002	Flat Washer 10	4	
11	89-1713-060002	Flat Washer 6 (large)	4	
10	89-1671-080042	Mini Cap Nut M8	3	
9	89-1390-060142	Welded Bolt M6*14	2	
8	89-1233-080202	Mini Hexagonal Bolt (PWSW) M8*20	3	
7	89-1137-060172	Hexagonal Bolt (PW) M6*17	2	
6	83-1751-312-00	Washer 8*25*3.2	3	
5	0312-77500	Flange Cap Nut M6 (Meck)	4	
4	0284-51300	Side Flapper (Front Left 88)	1	
3	0284-5110H	Left Cover CMP (Metallic Grey)	1	
2	0255-60800	Rear Side Flapper (Left A)	2	
1	0244-63900	Round Head Pin 10*72	2	
No	Part number	Part name	Qty	Remarks

35/47 Cutting Deck section 4/7



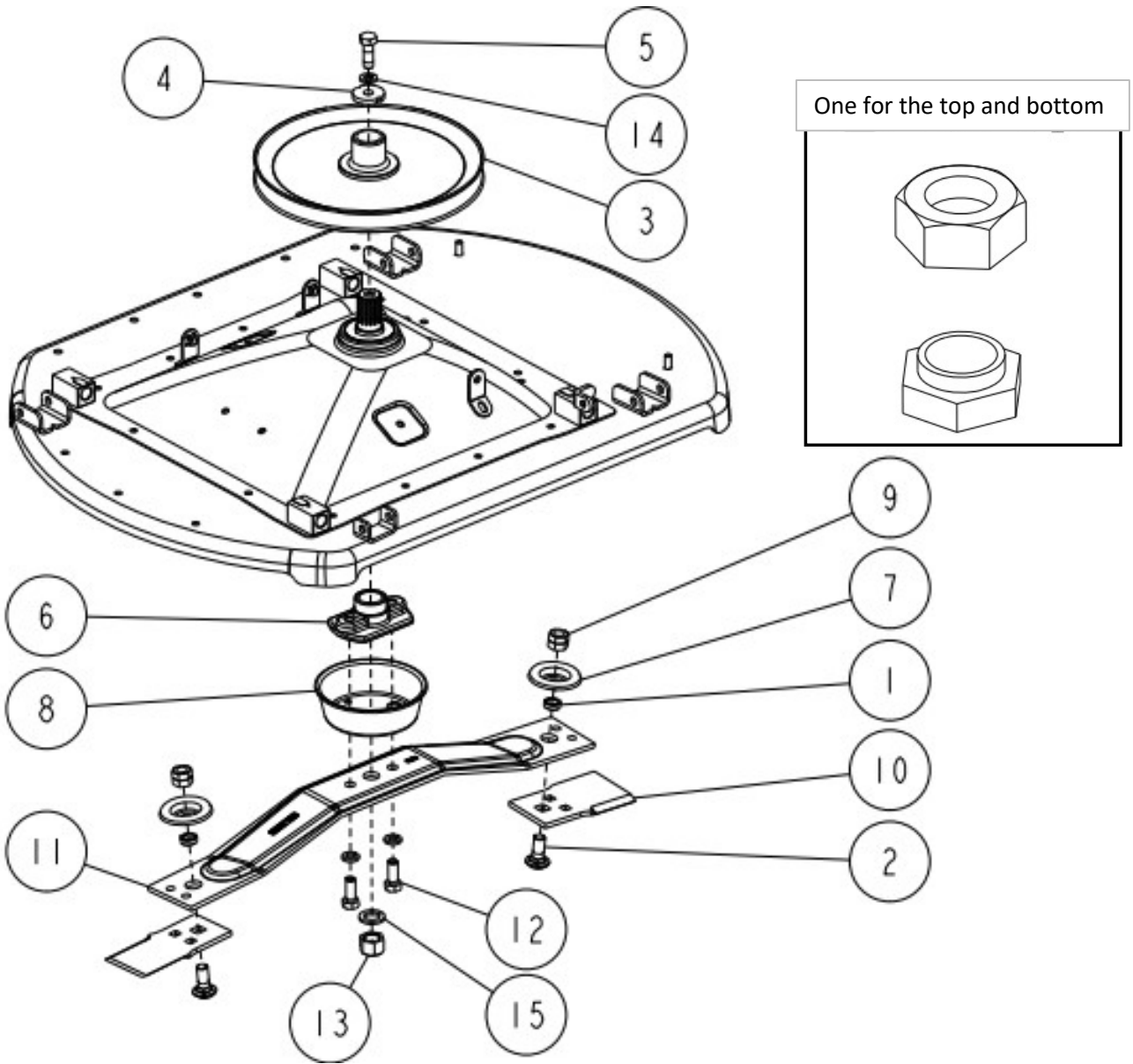
15	89-2131-100002	Snap Pin 10	2	
14	89-1750-080002	Spring Washer 8	1	
13	89-1714-100002	Flat Washer 10	2	
12	89-1713-080002	Flat Washer 8 (large)	1	
11	89-1713-060002	Flat Washer 6 (large)	4	
10	89-1253-080202	Flange Mini Hexagonal Bolt (8T) M8*20	1	
9	89-1137-060172	Hexagonal Bolt (PW) M6*17	4	
8	83-1210-484-00	Free Handle M8*20	1	
7	0312-77500	Flange Cap Nut M6 (Meck)	4	
6	0284-51600	Side Flapper (Rear Right 88)	1	
5	0284-51500	Side Flapper (Front Right 88)	1	
4	0284-5120H	Right Cover CMP (Metallic Grey)	1	
3	0244-71600	Spring for Right Cover	1	
2	0244-63900	Round Head Pin 10*72	2	
1	0221-52400	Right Cover Up/Down Arm	1	
No	Part number	Part name	Qty	Remarks

36/47 Cutting Deck section 5/7



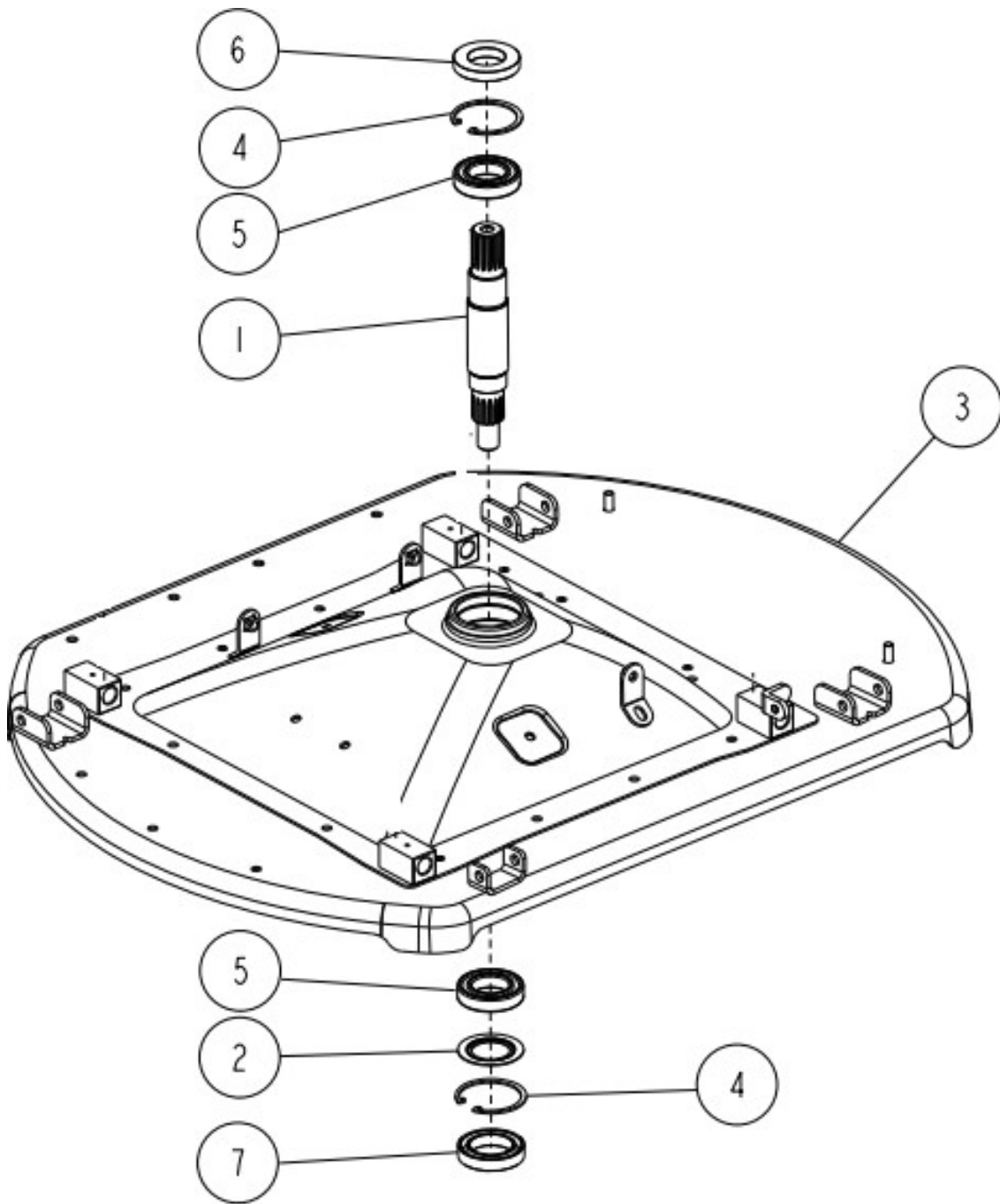
12	89-3510-012200	DU Bush 12.20	2	
11	89-2521-000100	E Type Ring 10	2	
10	89-2181-060162	Flat Head Pin 6*16	1	
9	89-2120-200152	Split Pin 2*15	1	
8	89-1233-080202	Mini Hexagonal Bolt (PWSW) M8*20	4	
7	83-1754-329-00	Washer 13*22*1.0	1	
6	83-1565-329-02	Washer 13*22*2.3	4	
5	0207-5212H	Knife Brake Bracket CMP (NEW) (Metallic Grey)	1	
4	80-1792-988-00	Harness Clip 8	1	
3	80-1484-617-0H	Knife Pulley Belt Holder (Metallic Grey)	2	
2	80-1482-373-00	Brake Return Spring	1	
1	80-1482-371-3H	Knife Brake (6t) (Metallic Grey)	1	
No	Part number	Part name	Qty	Remarks

37/47 Cutting Deck section 6/7

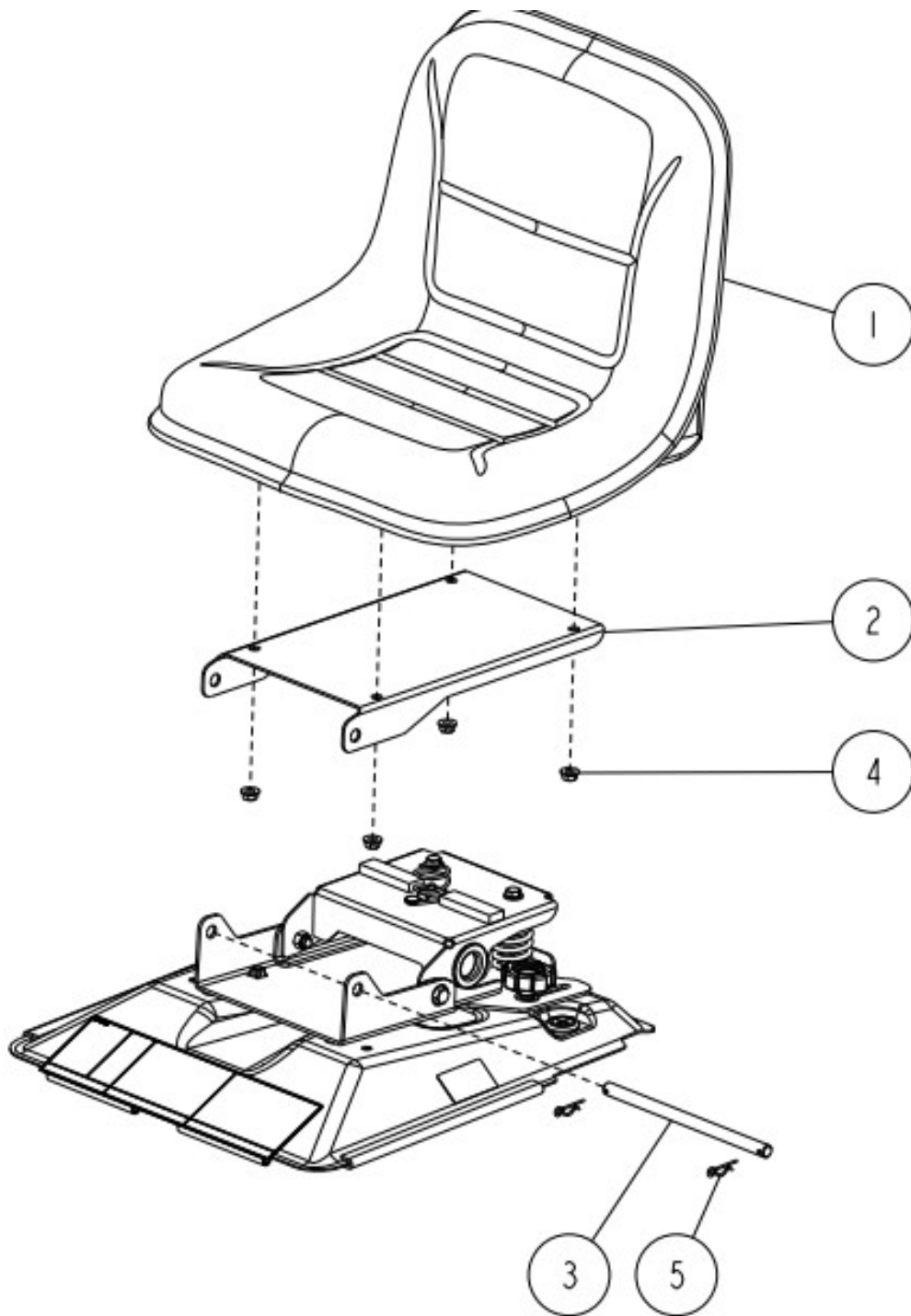


15	89-1750-200002	Spring Washer 20	1	
14	89-1750-120002	Spring Washer 12	3	
13	83-1483-175-00	Bag Nut M20 (Lock)	1	
12	83-1483-129-00	Mini Hexagonal Bolt (8T) M12*30	2	
11	0316-51100	Knife Stay (RM83G)	1	
10	0244-89100	Blade RM85	2	
9	0244-74600	Hard Lock Nut M14	2	※上下セットで1個
8	0244-5210H	Knife Neck Guard (Metallic Grey)	1	
7	0244-51800	Nut Guard 14	2	
6	0238-5110H	Knife Bracket (Metallic Grey)	1	
5	0221-76200	Mini Hexagonal Bolt (8T) M12*35	1	
4	0221-76100	Washer 12*40*6	1	
3	0207-5040H	Knife Pulley CMP (Metallic Grey)	1	
2	0207-50200	Knife Setting Bolt M14*34	2	
1	80-1483-818-00	Knife Collar	2	
No	Part number	Part name	Qty	Remarks

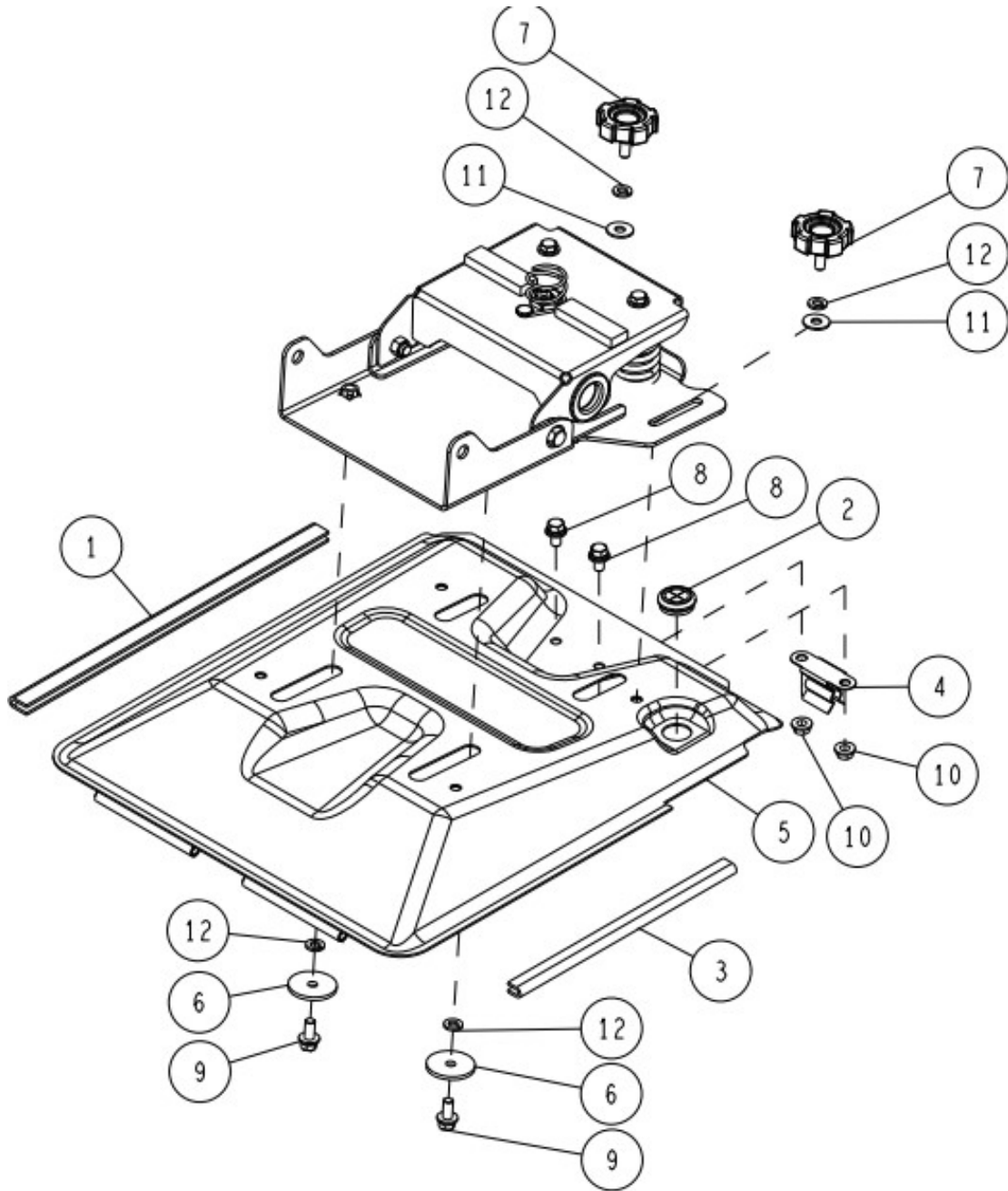
38/47 Cutting Deck section 7/7



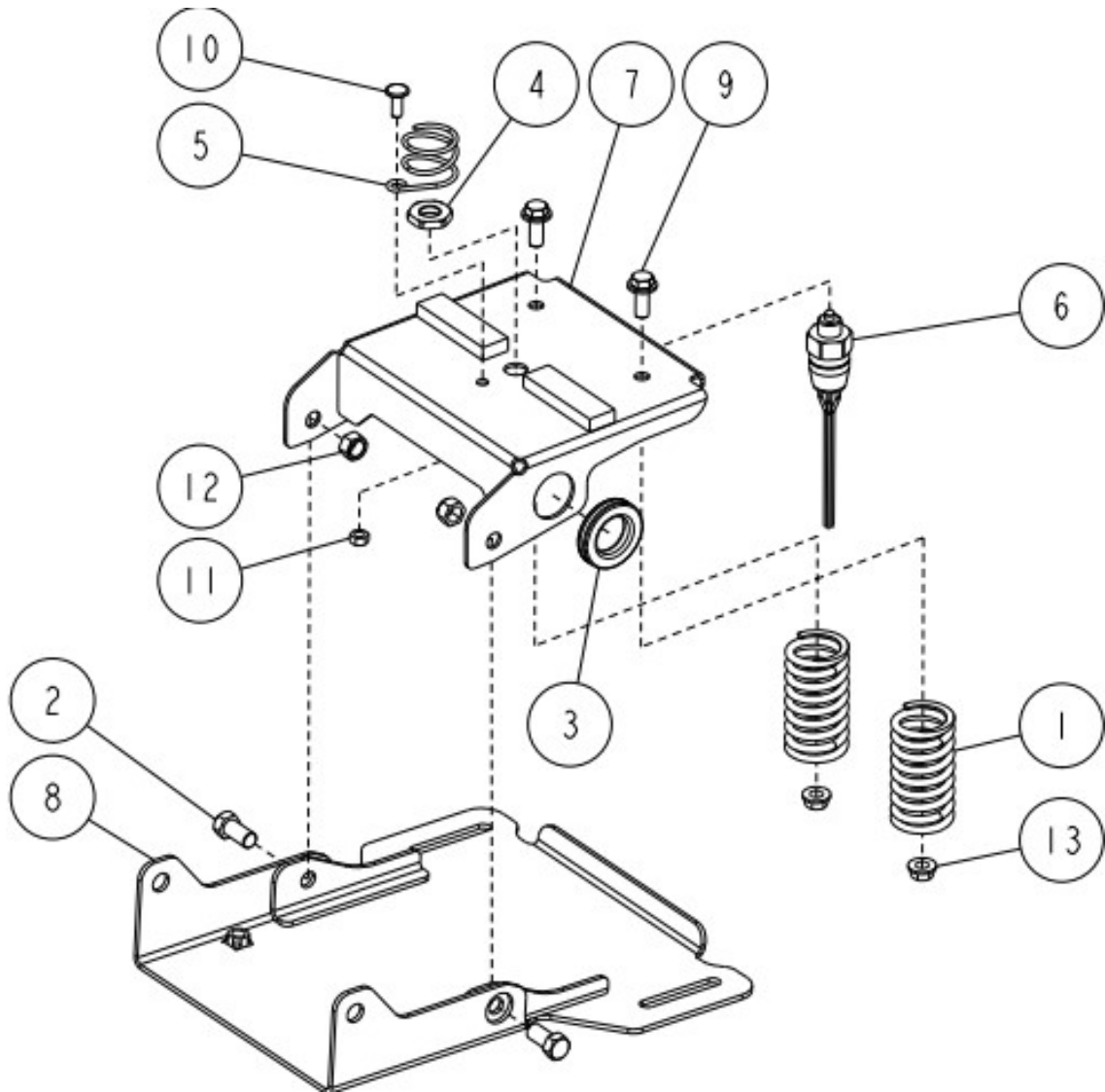
7	89-5121-406212	Oil Seal UE 40.62.12	1	
6	89-5121-356210	Oil Seal UE 35.62.10	1	
5	89-3115-060074	Bearing 6007 2RS	2	
4	89-2512-000620	Snap Ring (R62)	2	
3	0284-5010H	Safety Cover CMP (Metallic Grey)	1	
2	0262-50100	Dust Plate	1	
1	80-1493-641-00	Vertical Shaft	1	
No	Part number	Part name	Qty	Remarks



5	89-2131-120002	Snap Pin 12	2	
4	89-1631-080042	Flange Mini Hexagonal Nut M8	4	
3	0316-21400	Seat Receive Pin (210L)	1	
2	0316-2130G	Seat Receiver (Green)	1	OR
	0316-2130H	Seat Receiver (Metallic Grey)	1	YB
	0316-21301	Seat Receiver (White)	1	IA
1	0310-77500	Seat (SG)	1	YB·IA
	0310-77400	Seat (SG) (OR)	1	OR
No	Part number	Part name	Qty	Remarks

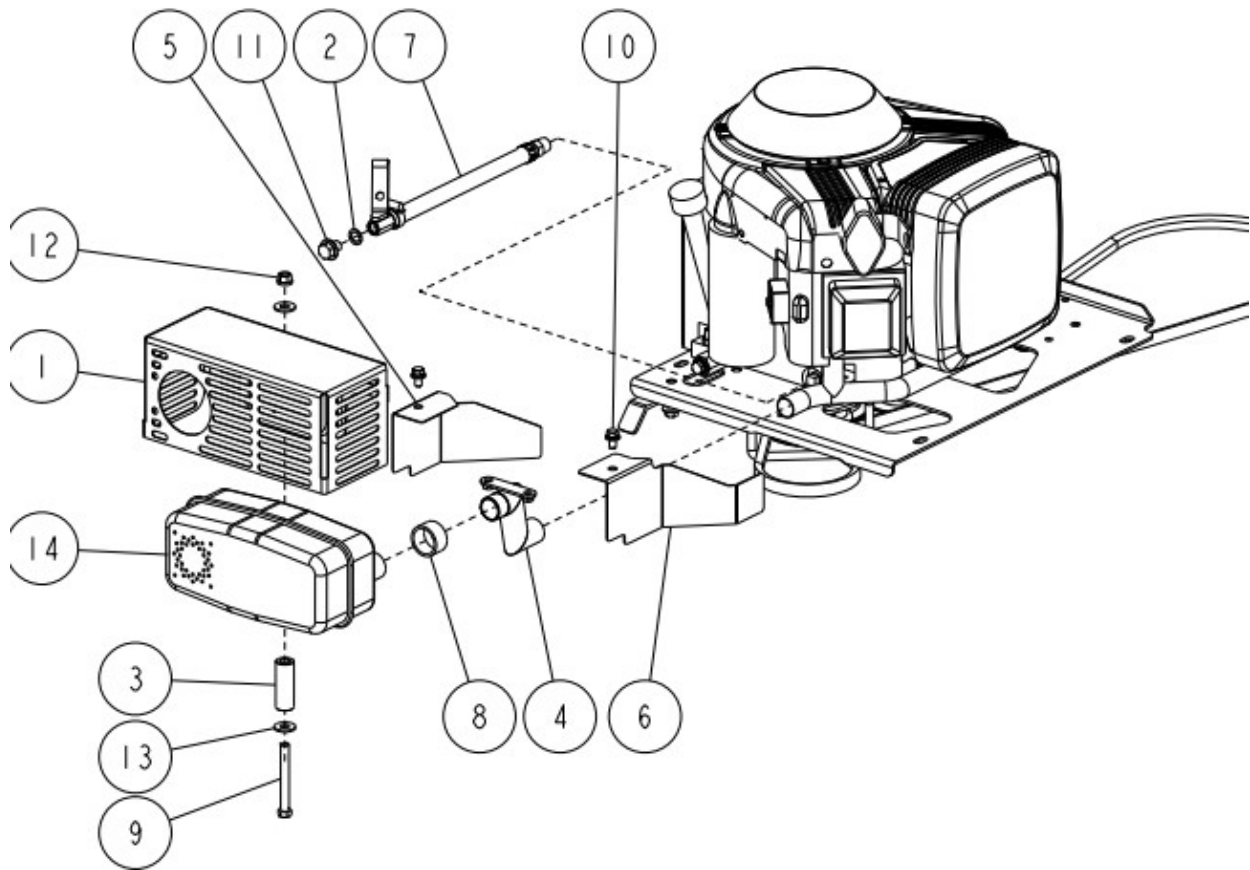


12	89-1750-080002	Spring Washer 8	4	
11	89-1713-080002	Flat Washer 8 (large)	2	
10	89-1631-080042	Flange Mini Hexagonal Nut M8	2	
9	89-1233-080202	Mini Hexagonal Bolt (PWSW) M8*20	2	
8	89-1233-080162	Mini Hexagonal Bolt (PWSW) M8*16	2	
7	83-1560-101-00	Knob Bolt M8*15	2	
6	83-1020-314-00	Washer 8*40*2.3	2	
5	0316-2150G	Seat Bracket CMP (Green)	1	OR
	0316-2150H	Seat Bracket CMP (Metallic Grey)	1	YB
	0316-21501	Seat Bracket CMP (White)	1	IA
4	0312-70700	Bonnet Clip	1	
3	0284-72200	Seat Trim (L) 15 × L250	1	
2	0244-73700	Grommet 24	1	
1	0207-76100	Trim 15*350	1	
No	Part number	Part name	Qty	Remarks

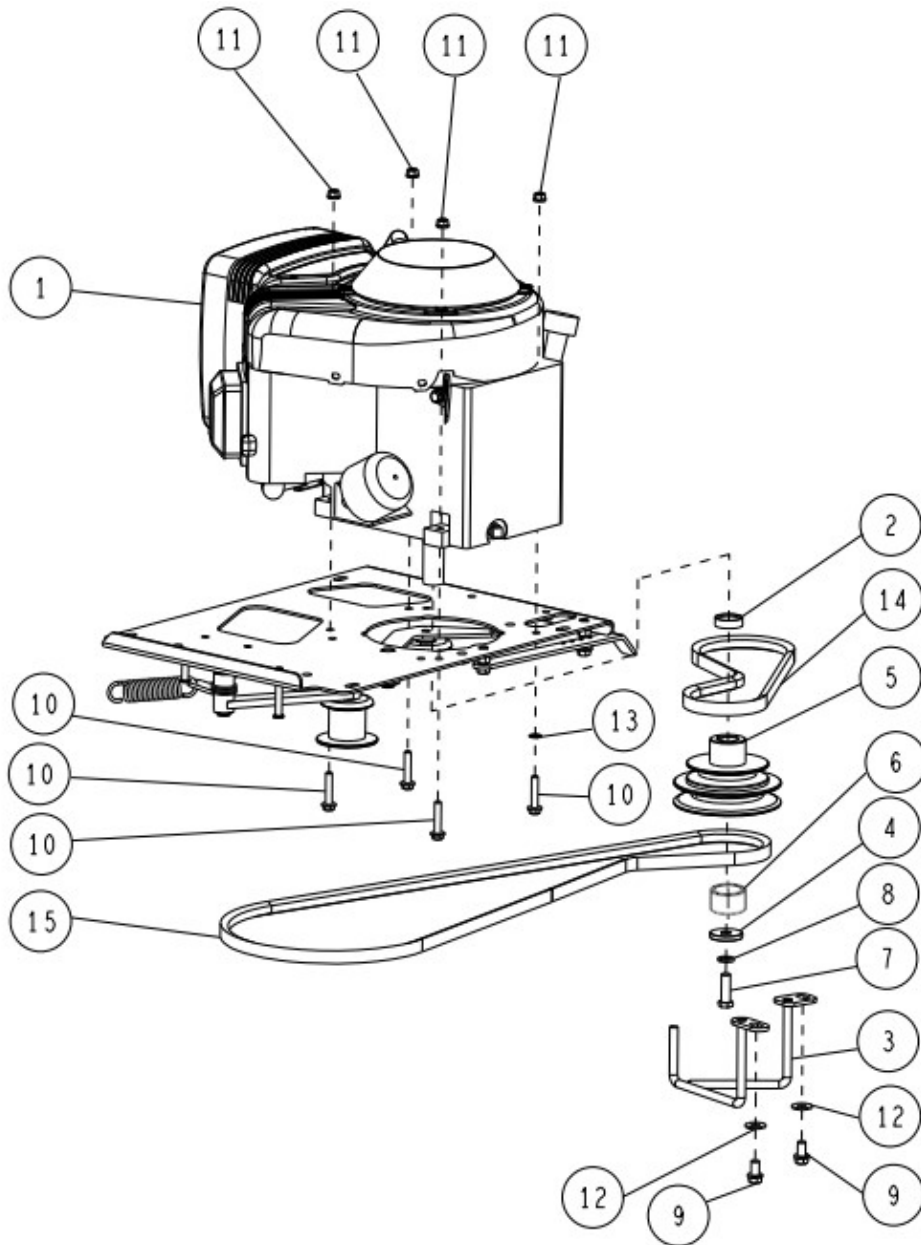


13	89-1631-080042	Flange Mini Hexagonal Nut M8	2	
12	89-1561-100002	Mini Hexagonal U Nut M10	2	
11	89-1511-060042	Hexagonal Nut M6	1	
10	89-1390-060162	Welded Bolt M6*16	1	
9	89-1253-080202	Flange Mini Hexagonal Bolt (8T) M8*20	2	
8	0316-2120G	Seat Base CMP (Green)	1	OR
	0316-2120H	Seat Base CMP (Metallic Grey)	1	YB
	0316-21201	Seat Base CMP (White)	1	IA
7	0316-2110G	Seat Switch Bracket CMP (Green)	1	OR
	0316-2110H	Seat Switch Bracket CMP (Metallic Grey)	1	YB
	0316-21101	Seat Switch Bracket CMP (White)	1	IA
6	0207-74400	Safety Switch K17850	1	
5	0207-72900	Seat Switch Spring	1	
4	0207-72800	Switch Lock Nut	1	
3	0207-70900	Grommet 30-3.2 (KG-G79QB)	1	
2	0004-80400	Fitting Bolt M10*20	2	
1	80-1484-494-10	Seat Spring $\phi$ 33	2	
No	Part number	Part name	Qty	Remarks

42/47 Engine section 1/4

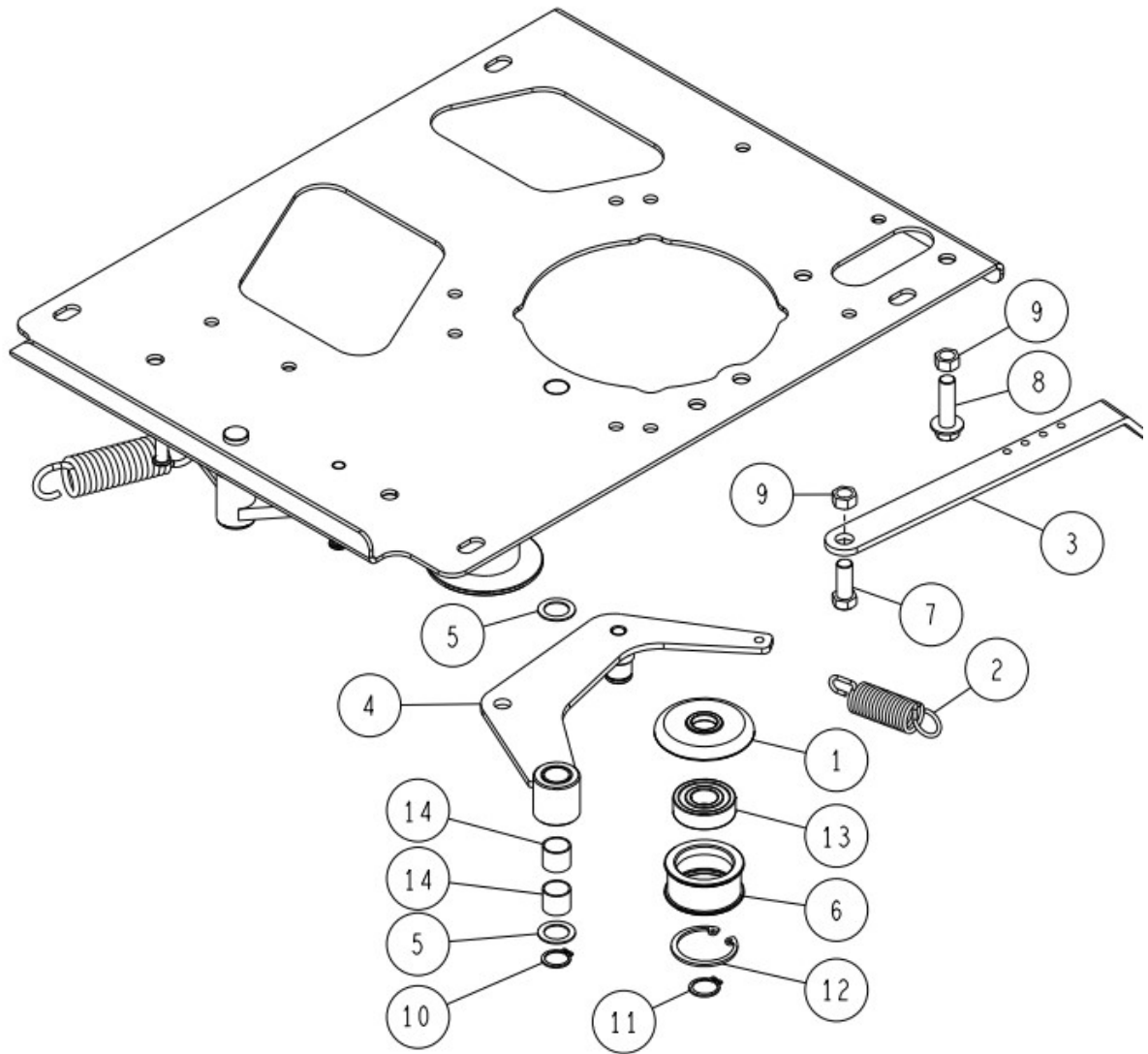


14	Engine Parts	muffler	1	
13	89-1713-100002	Flat Washer 10 (large)	2	
12	89-1543-100002	Mini Hexagonal Nut (SW) M10	1	
11	89-1251-120152	Flange Mini Hexagonal Bolt M12*15	1	
10	89-1233-080162	Mini Hexagonal Bolt (PWSW) M8*16	2	
9	89-1211-100852	Mini Hexagonal Bolt M10*85	1	
8	Engine Parts	Muffler Band	1	
7	0310-42310	Oil Drain (830B) Assy	1	
6	0310-41300	Exhaust Cover (R)	1	
5	0310-41200	Exhaust Cover (L)	1	
4	0310-41100	Exhaust Adapter (B) CMP	1	
3	0284-60300	Muffler Fixing Pipe (60L)	1	
2	0207-74900	Copper Packing 12.5*19*1.0	1	
1	0207-40500	Muffler Cover CMP	1	
No	Part number	Part name	Qty	Remarks

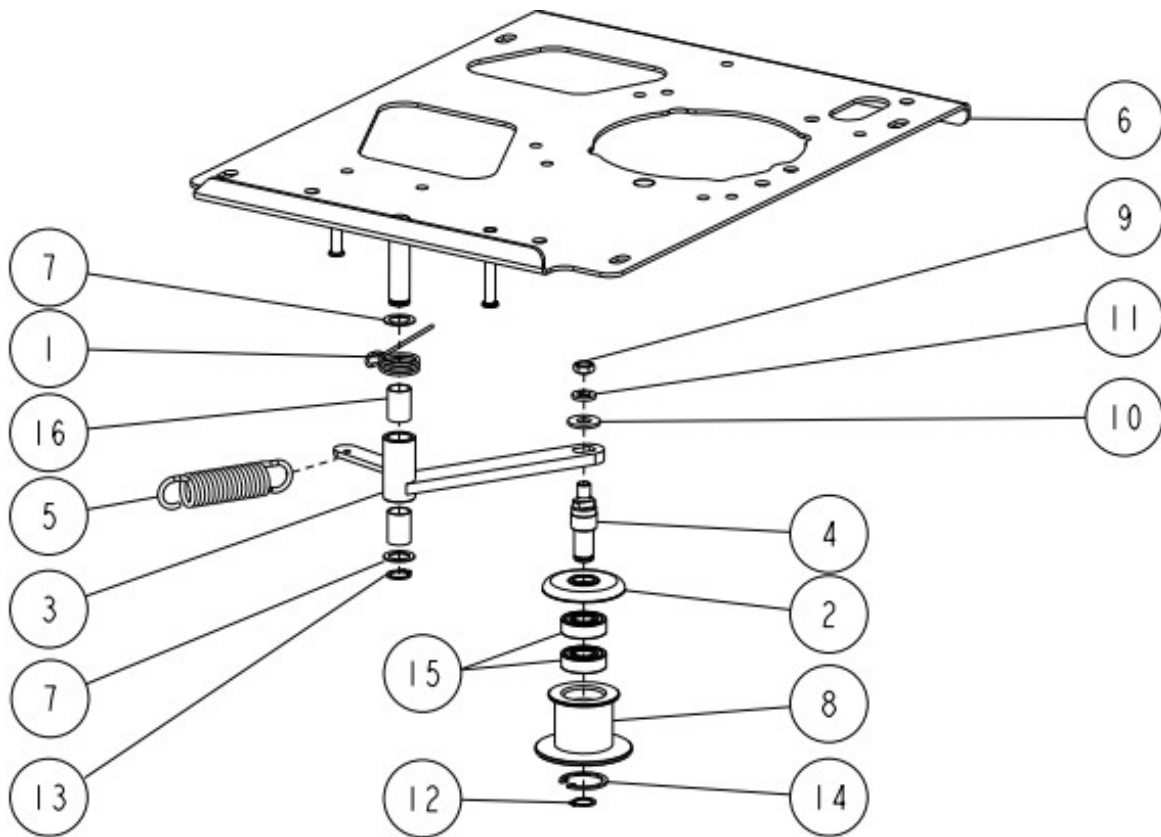


15	89-6123-007502	V Belt SB-75 (W800)	1	
14	89-6123-003002	V Belt SB-30 (W800)	1	
13	89-1812-080002	Toothed Washer (inside) 8	1	
12	89-1713-100002	Flat Washer 10 (large)	2	
11	89-1543-080002	Mini Hexagonal Nut (SW) M8	4	
10	89-1253-080402	Flange Mini Hexagonal Bolt (8T) M8*40	4	
9	89-1232-100202	Mini Hexagonal Bolt (SW) M10*20	2	
8	83-1493-300-00	Spring Washer 7/16	1	
7	83-1437-115-00	Hexagonal Bolt (8T) UNF7/16*35	1	
6	80-1565-514-00	Engine Collar 16L	1	
5	80-1488-514-00	Engine Pulley	1	
4	80-1487-516-00	Washer 11*40*6	1	
3	80-1485-518-0H	Knife Belt Holder (Engine) CMP (Metallic Gr	1	
2	0316-41200	Engine Collar $\phi$ 34*6L (RM83G)	1	
1	-	Briggs Engine 305777 (16HP)	1	
No	Part number	Part name	Qty	Remarks

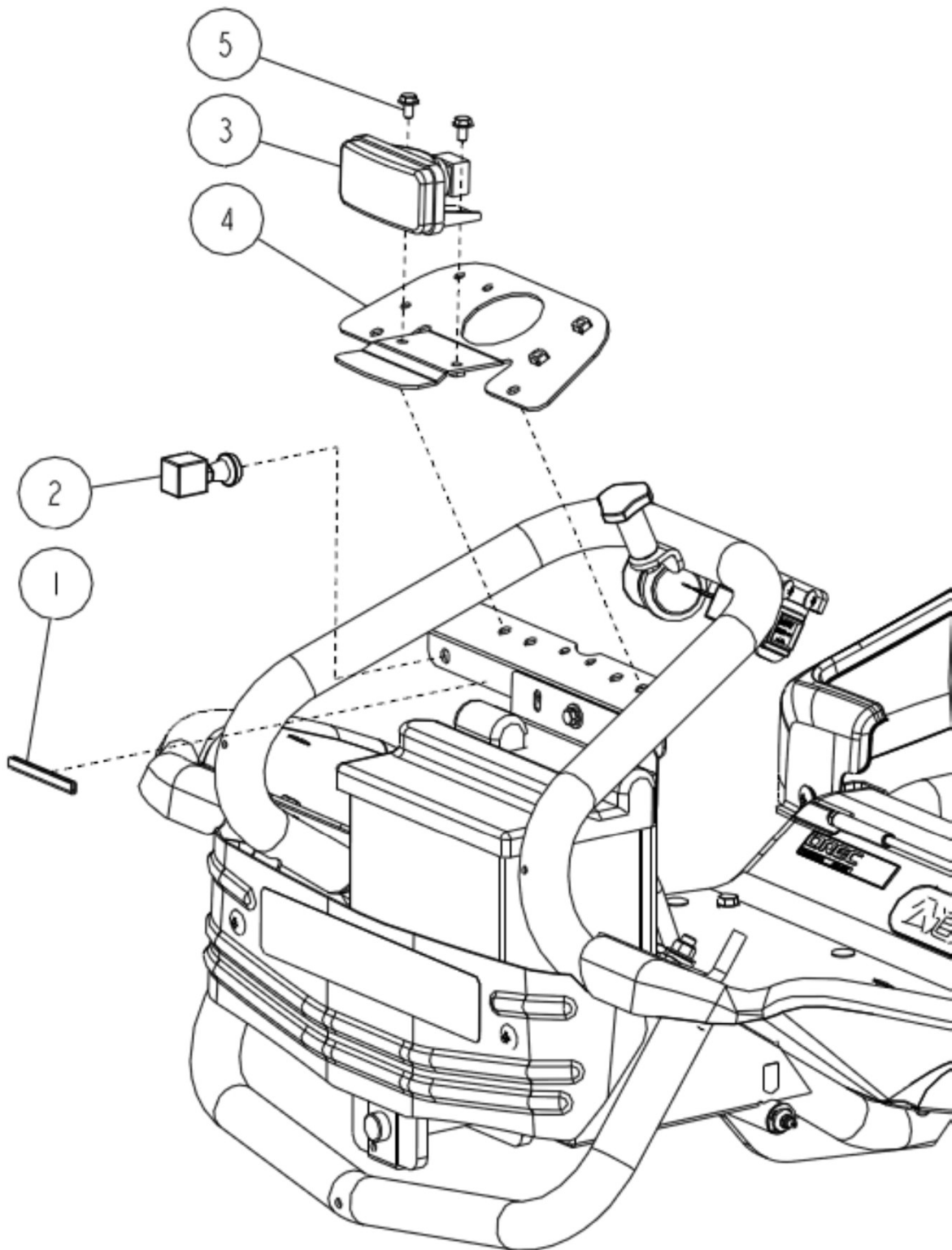
44/47 Engine section 3/4



-	83-1032-760-00	Tension Pulley Assy	1	6、12、13
14	89-3510-016150	DU Bush 16.15	2	
13	89-3115-062034	Bearing 6203 2RS	1	
12	89-2512-000400	Snap Ring (R40)	1	
11	89-2511-000170	Snap Ring (S17)	1	
10	89-2511-000160	Snap Ring (S16)	1	
9	89-1611-100042	Mini Hexagonal Nut M10	2	
8	89-1253-100353	Flange Mini Hexagonal Bolt (8T) M10*35	1	
7	89-1211-100252	Mini Hexagonal Bolt M10*25	1	
6	83-1032-765-00	Tension Pulley	1	
5	83-1020-363-00	Thrust Washer 16*24*1.0	2	
4	0316-40000	Drive tension arm SET (with bush)	1	14×2ヶ 込み
3	0207-4110H	Drive Tension Spring Arm (Metallic Grey)	1	
2	80-1485-551-00	Driving Tension Spring	1	
1	80-1482-549-00	Rubber Cover 58	1	
No	Part number	Part name	Qty	Remarks



	0207-43000	Tension Pulley SET	1	4×1ヶ、8×1ヶ、12×1ヶ、14×1ヶ、15×2ヶ
16	89-3510-016250	DU Bush 16.25	2	
15	89-3115-062024	Bearing 6202 2RS	2	
14	89-2512-000350	Snap Ring (R35)	1	
13	89-2511-000160	Snap Ring (S16)	1	
12	89-2511-000150	Snap Ring (S15)	1	
11	89-1750-100002	Spring Washer 10	1	
10	89-1713-100002	Flat Washer 10 (large)	1	
9	89-1613-100042	Mini Hexagonal Nut (3 sorts) M10	1	
8	83-1483-782-10	Knife Tension Pulley	1	
7	83-1020-363-00	Thrust Washer 16*24*1.0	2	
6	0310-2030H	Engine Base CMP (RM830) (Metallic Grey)	1	
5	0207-78400	Spring For Knife Tension Return	1	
4	0207-43100	Knife Tension Pulley Shaft	1	
3	0207-40000	Knife tension arm SET (with bush)	1	16×2ヶ 込み
2	80-1482-549-00	Rubber Cover 58	1	
1	80-1481-568-00	Knife Tension Return Spring φ26.7	1	
No	Part number	Part name	Qty	Remarks



-	0310-91000	Light Option Set	1	Includes No. 1 to 5 and wire bands
-	83-1711-719-00	Wire Band 200L	2	For bundling harnesses
5	89-1137-060122	Hexagonal Bolt (PW) M6*12	2	
4	0284-20601	Head Lamp Stay CMP (White)	1	
3	0244-72900	Head Lamp	1	
2	80-1484-337-00	Lighting Switch (B15930)	1	
1	80-1482-493-00	Ditch Gum L73	1	
No	Part number	Part name	Qty	Remarks

