

OREC

Parts Catalog

Rabbit Mower

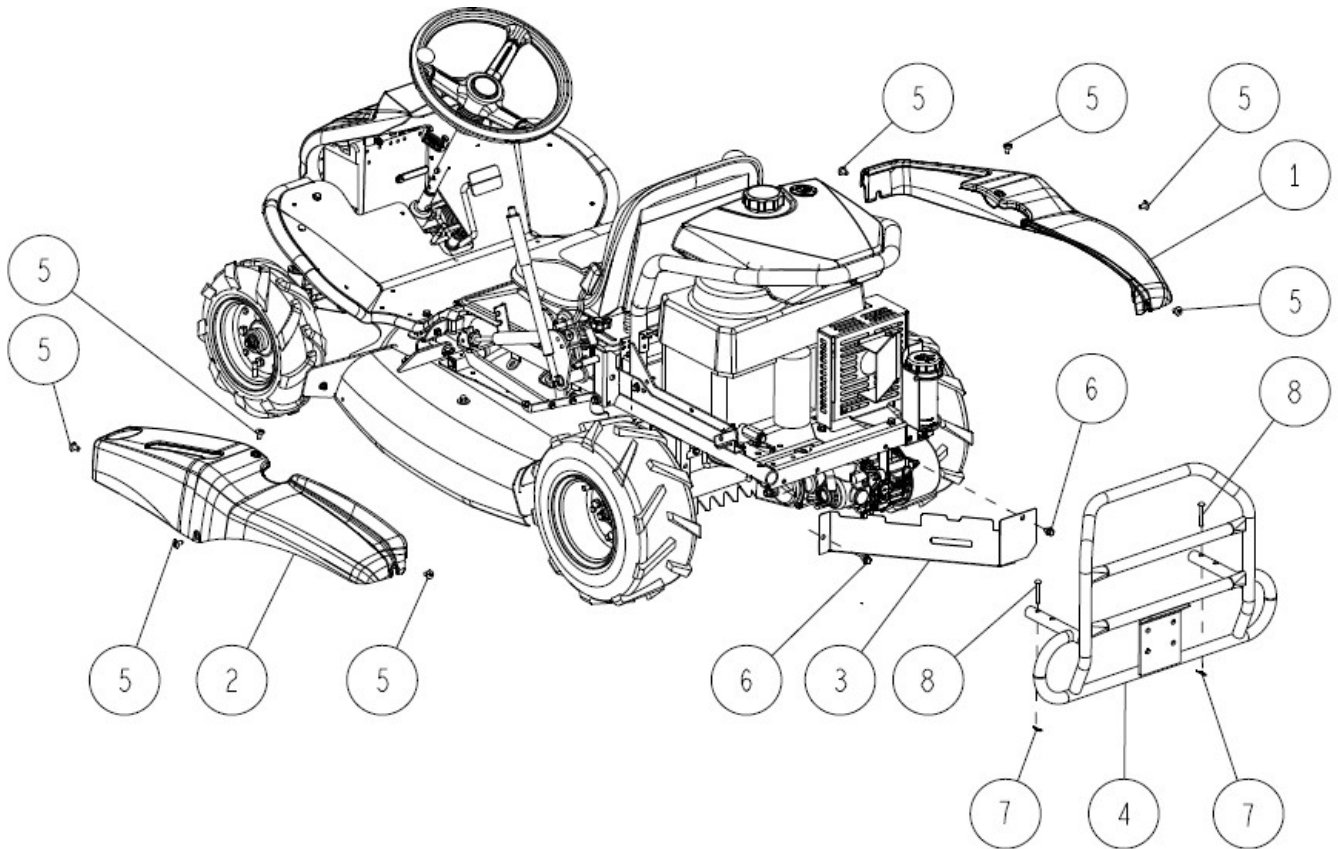
RM832



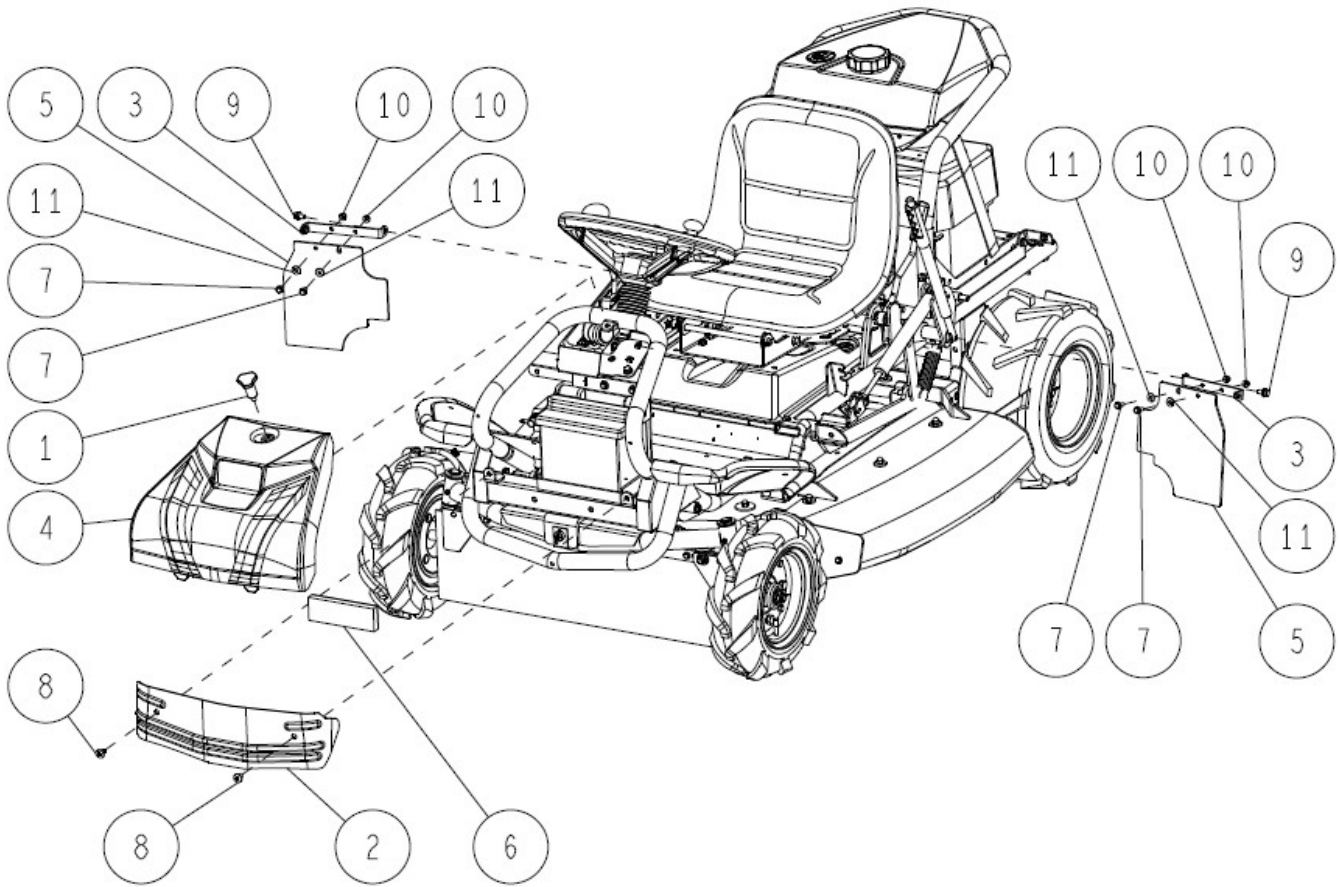
《INDEX》

Frame Part	1
Mission Part	1 6
HST Part	2 5
Handle part	2 7
Front part	2 9
Control Part	3 2
Cutting Part	3 5
Seat part	4 1
Engine part	4 4
Light Option.....	4 8
Label	4 9

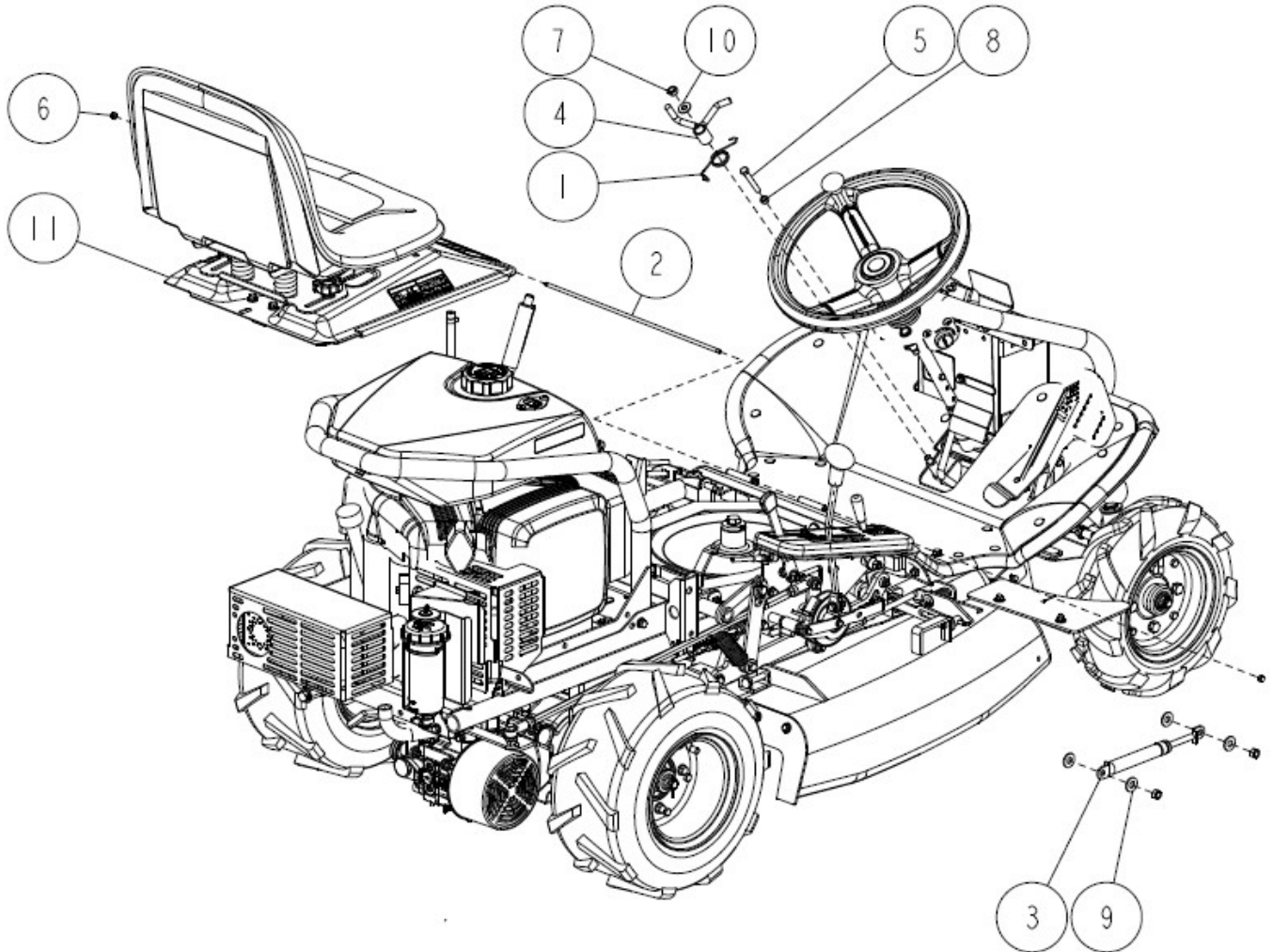
OREC CO., LTD.



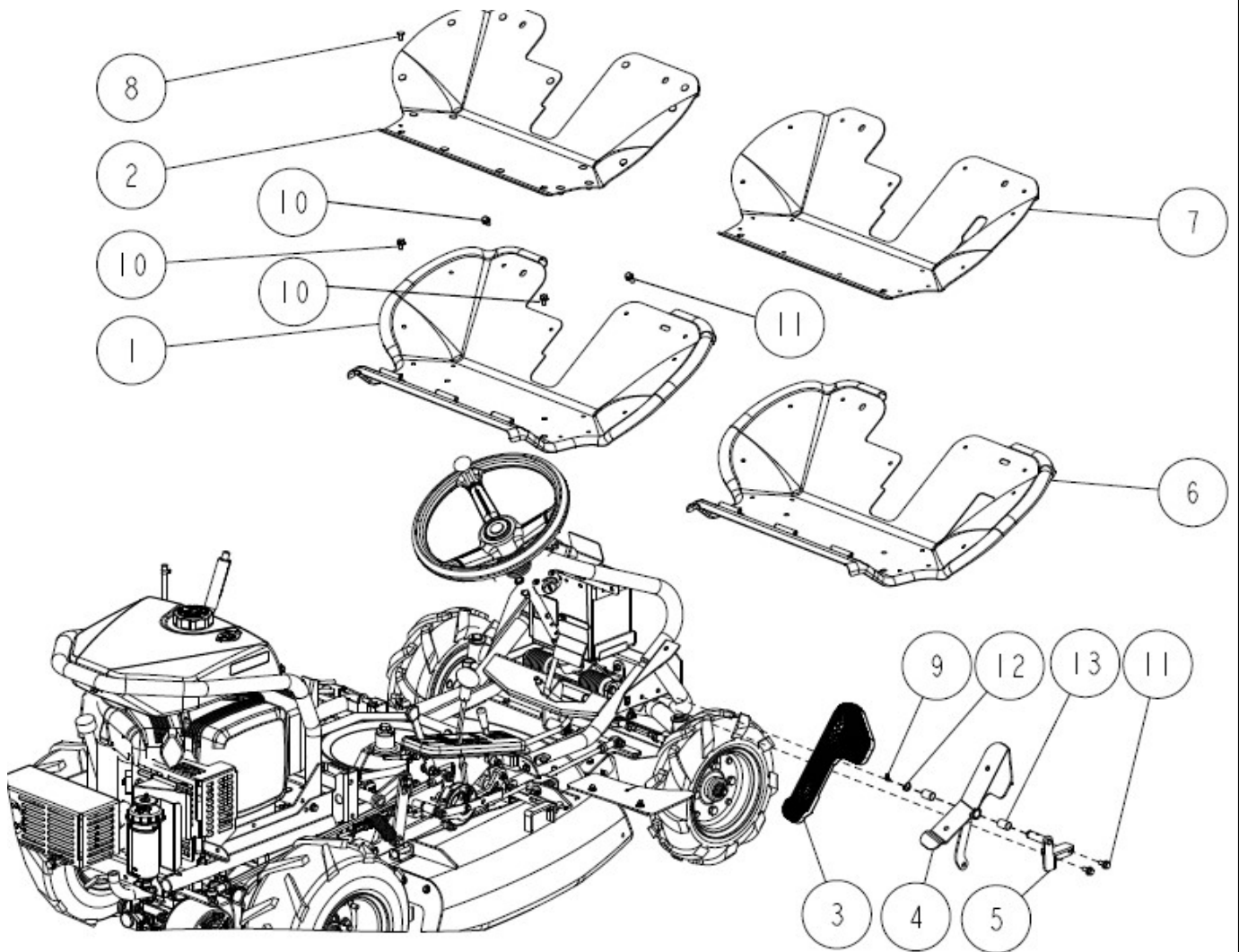
1	0310-75500	Side Cover (Blue) (R)	1	IA
	0244-60110	Side Cover (R) Red	1	YB
	0310-75300	Side Cover (White) (R)	1	OR
2	0310-75600	Side Cover (Blue) (L)	1	IA
	0244-60210	Side Cover (L) Red	1	YB
	0310-75400	Side Cover (White) (L)	1	OR
3	0310-6020H	Rear Belt Cover (RM830) (Metallic Grey)	1	
4	0316-2030H	Sub-Frame CMP (Metallic Grey)	1	YB·IA
	0316-2030G	Sub-Frame CMP (Green)	1	OR
5	89-1159-080168	Truss Mini Screw M8*16	8	
6	89-1233-080162	Mini Hexagonal Bolt (PWSW) M8*16	2	
7	89-2131-080002	Snap Pin 8	2	
8	89-2191-080502	Round Head Pin 8*50	2	
No.	Parts No.	Parts Name	Qty	Remarks



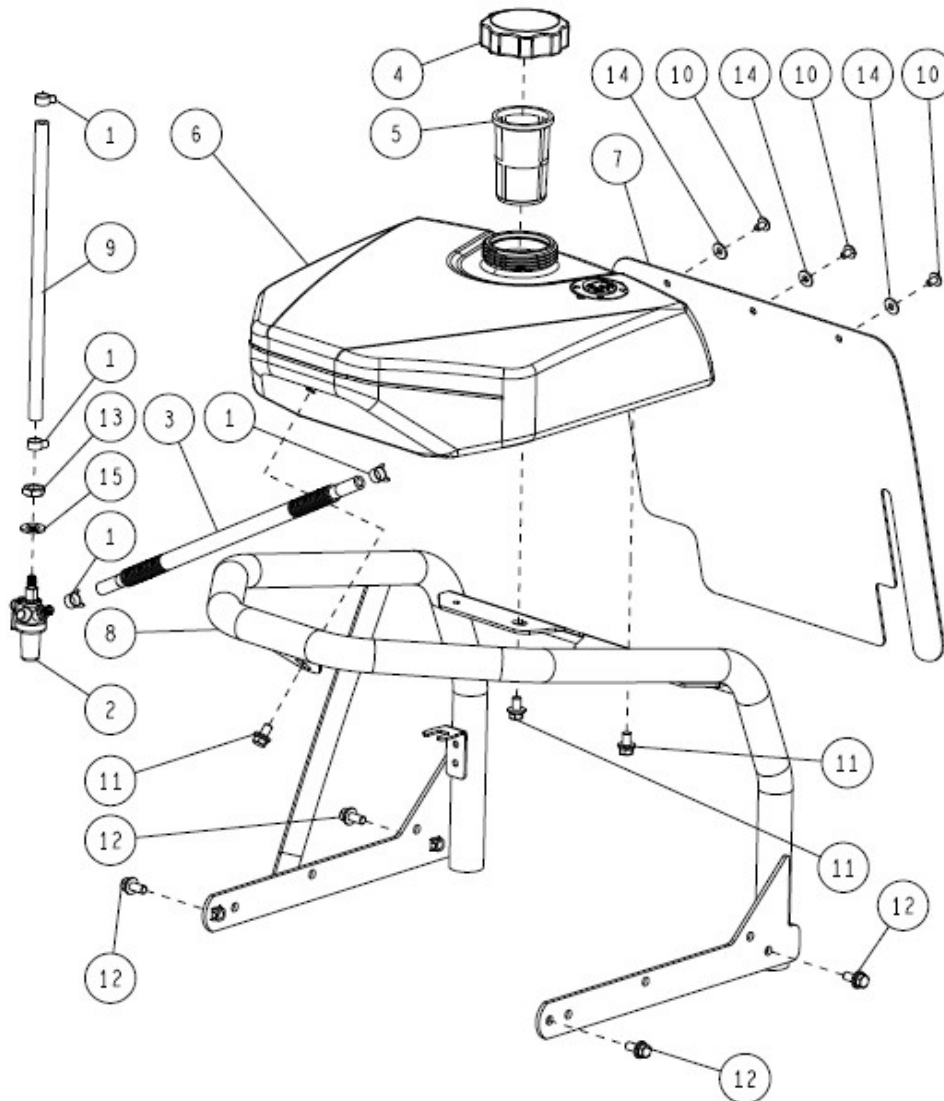
1	0207-76500	Long Knob Bolt M8*20	1	
2	0284-2070H	Front Cover (Lower) (Metallic Grey)	1	YB·IA
	0284-2070G	Front Cover (Lower) (Green)	1	OR
3	0284-2310H	Side Cover Stay CMP (Metallic Grey)	2	
4	0310-72700	Front Cover Blue (with Pad) (IA)	1	IA
	0310-72600	Front Cover Red (with Pad) (YB)	1	YB
	0284-61300	Front Cover (with Pad)	1	OR
5	0284-62100	Mat Guard	2	
6	0284-72300	Battery Pad (88)	1	
7	89-1137-060172	Hexagonal Bolt (PW) M6*17	4	
8	89-1159-080168	Truss Mini Screw M8*16	2	
9	89-1233-080162	Mini Hexagonal Bolt (PWSW) M8*16	2	
10	89-1581-060042	Flange Cap Nut M6	4	
11	89-1713-060002	Flat Washer 6 (large)	4	
No.	Parts No.	Parts Name	Qty	Remarks



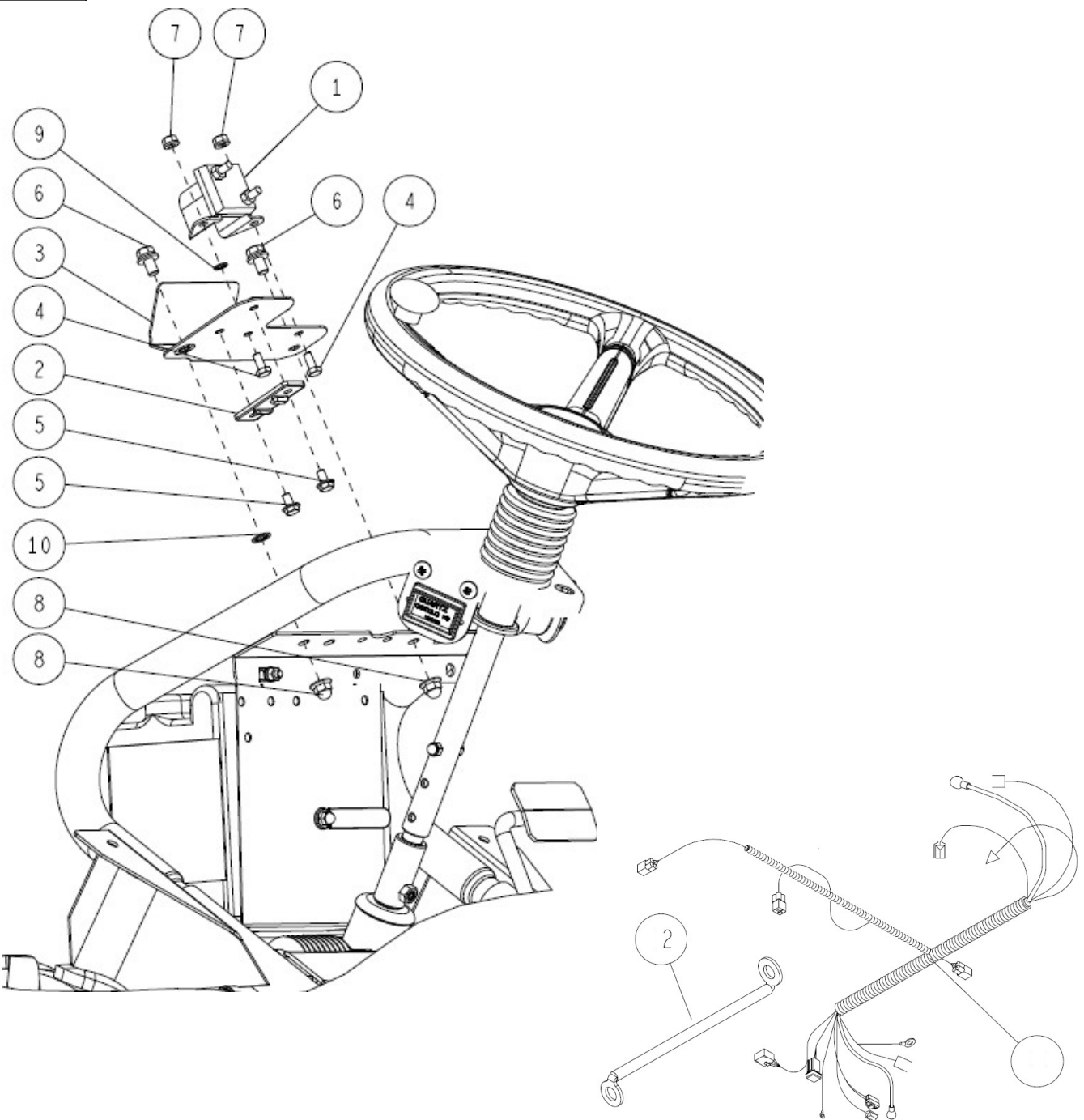
1	80-1484-356-00	Brake Stopper Return Spring	1	
2	0207-21200	Seat Bracket Shaft	1	
3	0310-73800	Gas Spring KMF 65-40	1	
4	0244-32200	Brake Stopper CMP	1	
5	89-1211-080552	Mini Hexagonal Bolt M8*55	1	
6	89-1553-060002	Bag Hexagonal U Nut M6	2	
7	89-1561-100002	Mini Hexagonal U Nut M10	3	
8	89-1611-080042	Mini Hexagonal Nut M8	1	
9	89-1713-100002	Flat Washer 10 (large)	4	
10	89-1714-100002	Flat Washer 10	1	
11	-	Seat part	1	
No.	Parts No.	Parts Name	Qty	Remarks



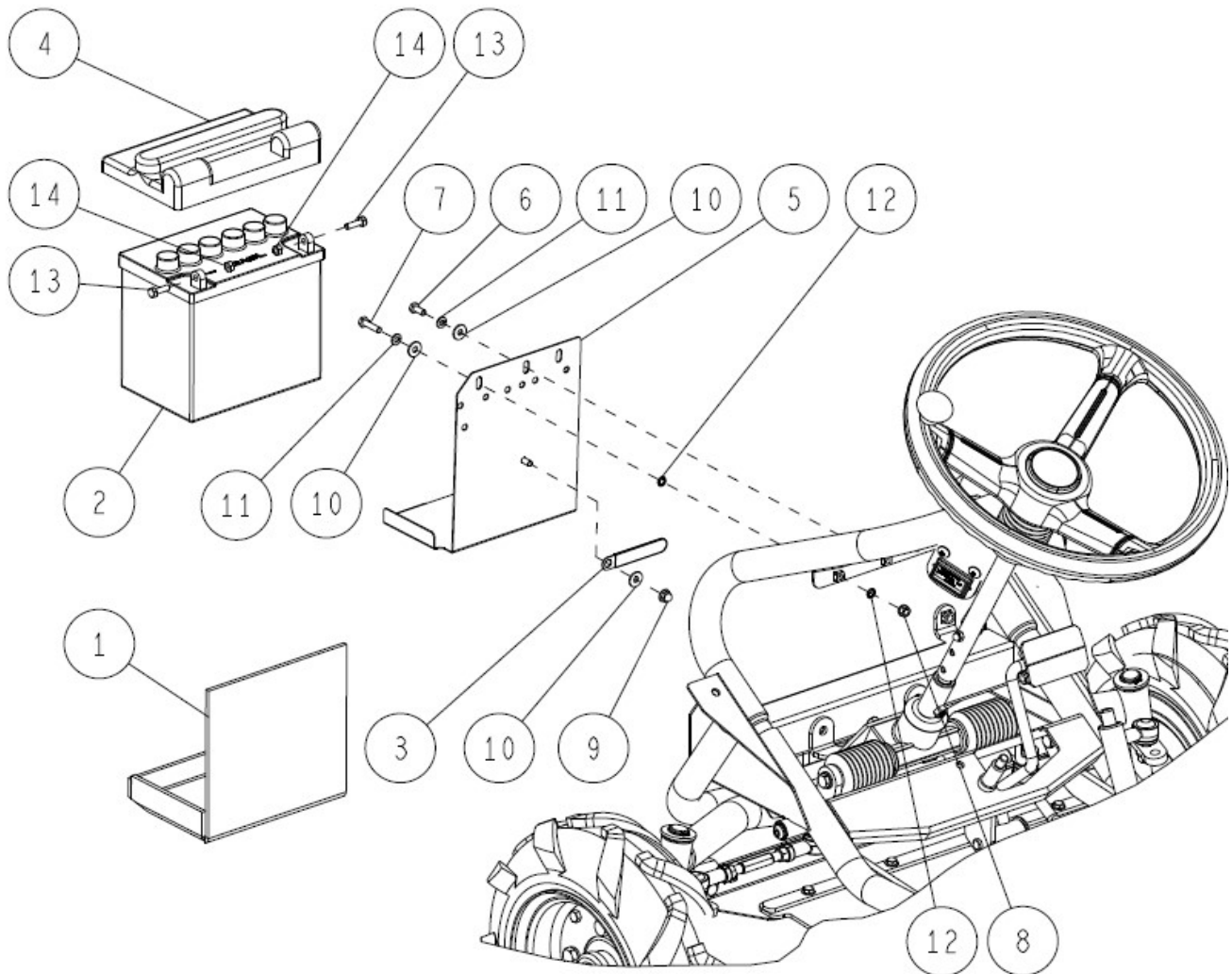
1	0284-2141H	Step CMP (88) (Metallic Grey)	1	YB
2	0284-71500	Step Rubber (88)	1	YB
3	0290-72100	Change Pedal Rubber	1	OR·IA
4	0308-1110H	Drive Pedal CMP (Metallic Grey)	1	OR·IA
5	0308-1120H	Pedal Shaft Stay CMP (Metallic Grey))	1	OR·IA
6	0308-2211H	Step CMP (950) (Metallic Grey)	1	IA
	0308-2211G	Step CMP (950) (Green)	1	OR
7	0308-71100	Step Rubber	1	OR·IA
8	83-1484-369-00	Clip (5347)	16	
9	83-1515-975-00	Grease Nipple C-Type M6	1	OR·IA
10	89-1233-080162	Mini Hexagonal Bolt (PWSW) M8*16	3	
11	89-1233-080202	Mini Hexagonal Bolt (PWSW) M8*20	※3	YB--1pcs
12	89-2511-000160	Snap Ring (S16)	1	OR·IA
13	89-3510-016250	DU Bush 16.25	2	OR·IA
No.	Parts No.	Parts Name	Qty	Remarks



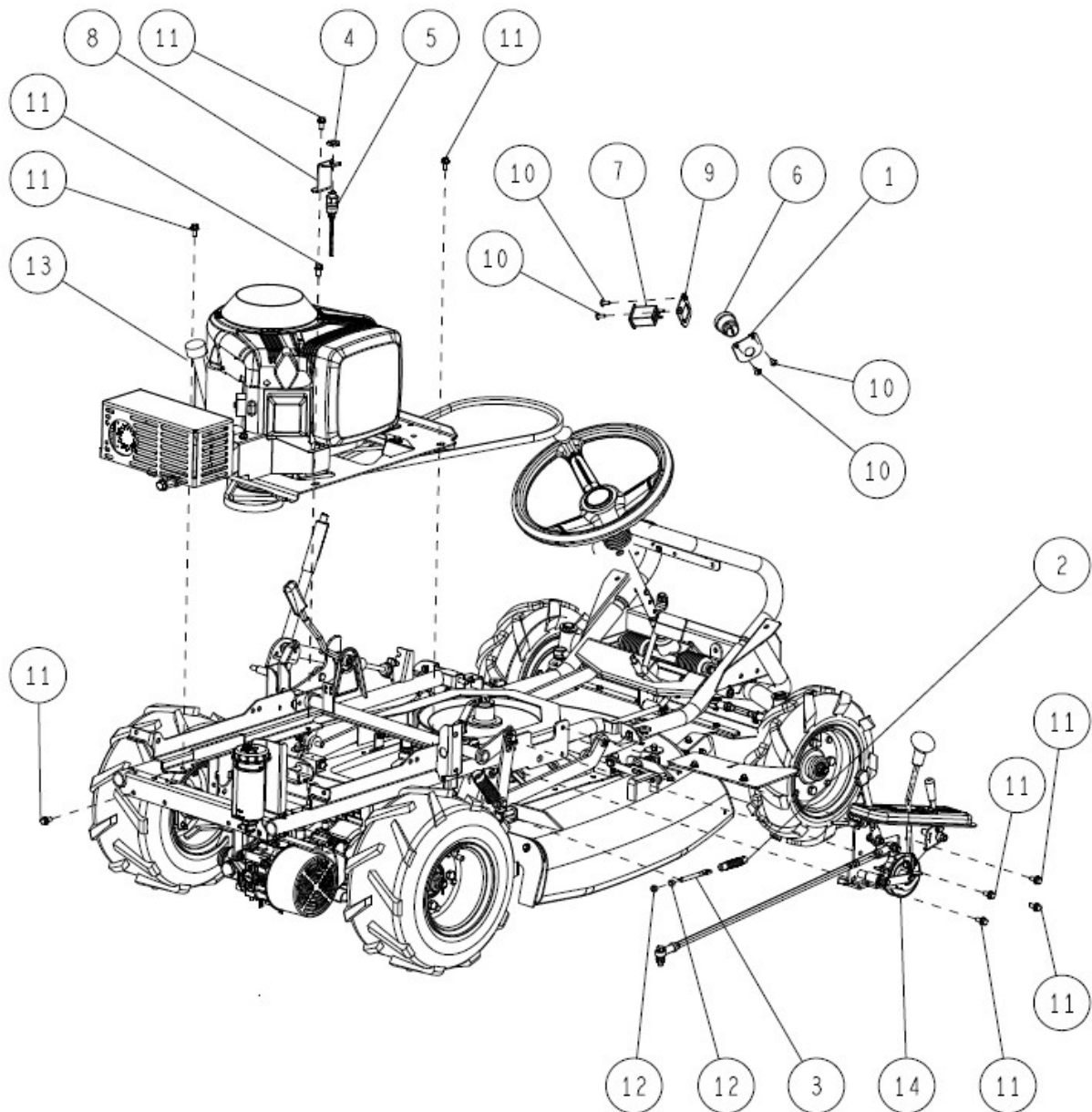
1	80-1483-988-00	Hose Clip 17	4	
2	0207-82800	Fuel Cock	1	
3	0244-75300	Fuel Hose (B)	1	
4	0244-76600	Tank Cap Assy	1	
5	0244-76900	Filter	1	
6	0284-70610	Fuel Tank (with Fuel Gauge)	1	
7	0284-72100	Wind Shield (RM88)	1	
8	0284-8652H	Fuel Tank Holder CMP (88ET) (Metallic Grey)	1	IA
	0284-86522	Fuel Tank Holder CMP (88ET) (Red)	1	YB
	0284-8652G	Fuel Tank Holder CMP (88ET) (Green)	1	OR
9	0284-87200	Fuel Hose (Engine)	1	
10	89-1159-060108	Truss Mini Screw M6*10	3	
11	89-1233-080162	Mini Hexagonal Bolt (PWSW) M8*16	3	
12	89-1233-080202	Mini Hexagonal Bolt (PWSW) M8*20	4	
13	89-1514-120042	Hexagonal Nut (3 sorts) M12 (slender)	1	
14	89-1713-060002	Flat Washer 6 (large)	3	
15	89-1714-120002	Flat Washer 12	1	
-	0284-87000	Fuel Hose (Engine) (with Clip)	※1	1×2ヶ,9
-	0289-73300	Fuel Hose (B) (with Clip)	※1	1×2ヶ,3
-	0284-70110	Fuel Tank Assy	※1	4,5,6
No.	Parts No.	Parts Name	Qty	Remarks



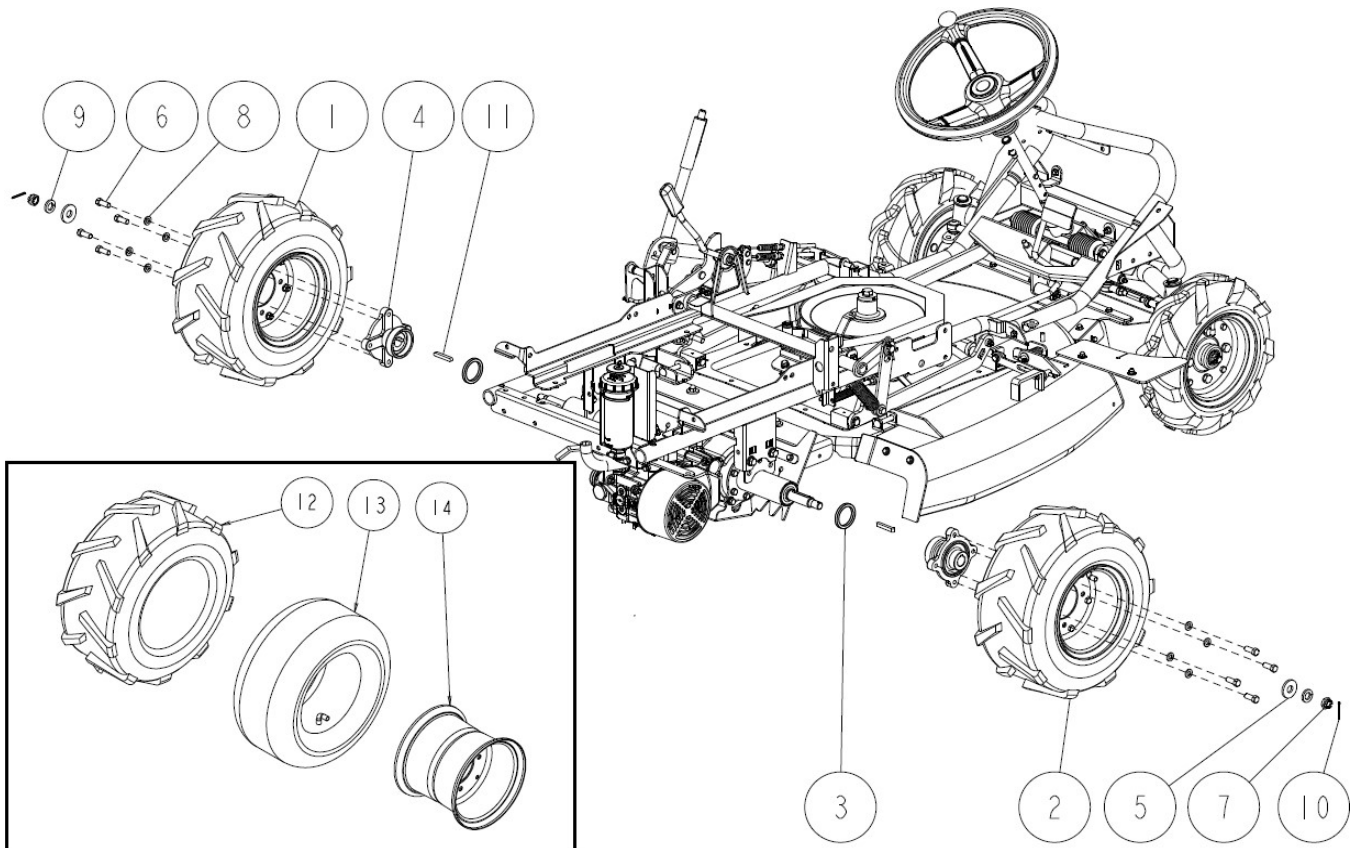
1	0322-73000	Magnet Switch Set	1	
2	0207-79200	Fuse Box Bracket	1	
3	0310-2060H	Front Cover Holder (RM830) (Metallic Grey)	1	
4	89-1111-060142	Hexagonal Bolt M6*14	2	
5	89-1137-060122	Hexagonal Bolt (PW) M6*12	2	
6	89-1233-080162	Mini Hexagonal Bolt (PWSW) M8*16	2	
7	89-1541-060002	Hexagonal Nut (SW) M6	2	
8	89-1581-080042	Flange Cap Nut M8	2	
9	89-1812-060002	Toothed washer (inside) 6	1	
10	89-1812-080002	Toothed Washer (inside) 8	1	
11	0308-70300	Harness (B&S)	1	
12	0207-77200	Battery (-) Cord 230	1	Black Cap included
	0207-77100	Battery (+) Cord 230	1	Red Cap included
No.	Parts No.	Parts Name	Qty	Remarks



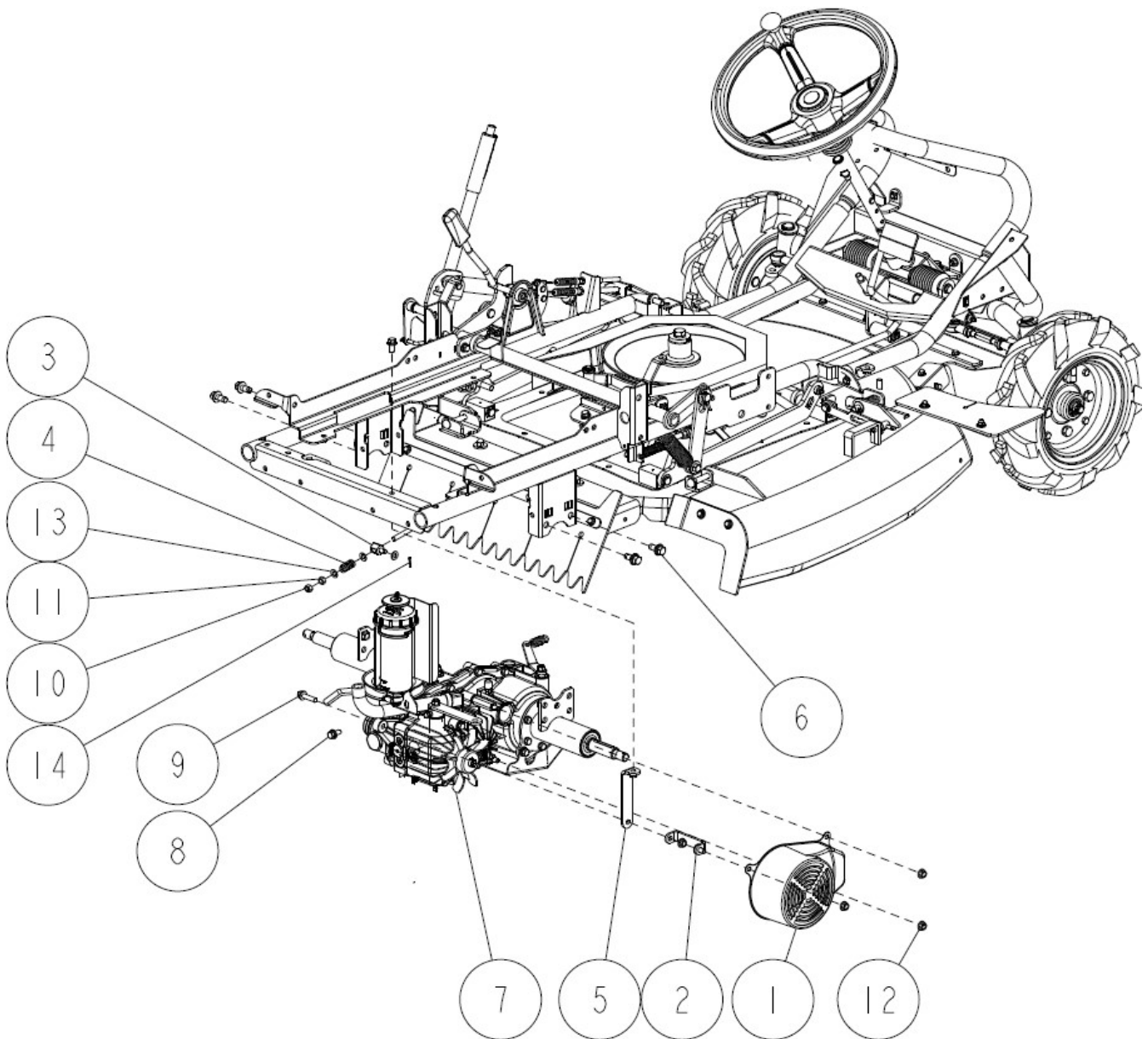
1	80-1482-971-00	Cushion Rubber (Battery)	1	
2	80-1792-976-00	Battery (32A-19L)	1	
3	80-1792-988-00	Harness Clip 8	1	
4	0207-63200	Battery Cover	1	
5	0284-2210H	Battery Carrier (Metallic Grey)	1	
6	89-1111-060142	Hexagonal Bolt M6*14	1	
7	89-1111-060252	Hexagonal Bolt M6*25	1	
8	89-1541-060002	Hexagonal Nut (SW) M6	1	
9	89-1581-060042	Flange Cap Nut M6	1	
10	89-1713-060002	Flat Washer 6 (large)	3	
11	89-1750-060002	Spring Washer 6	2	
12	89-1812-060002	Toothed washer (inside) 6	2	
13	Battery Parts	Hexagonal Bolt M6X20	2	
14	Battery Parts	Hexagonal Nut M6	2	
No.	Parts No.	Parts Name	Qty	Remarks



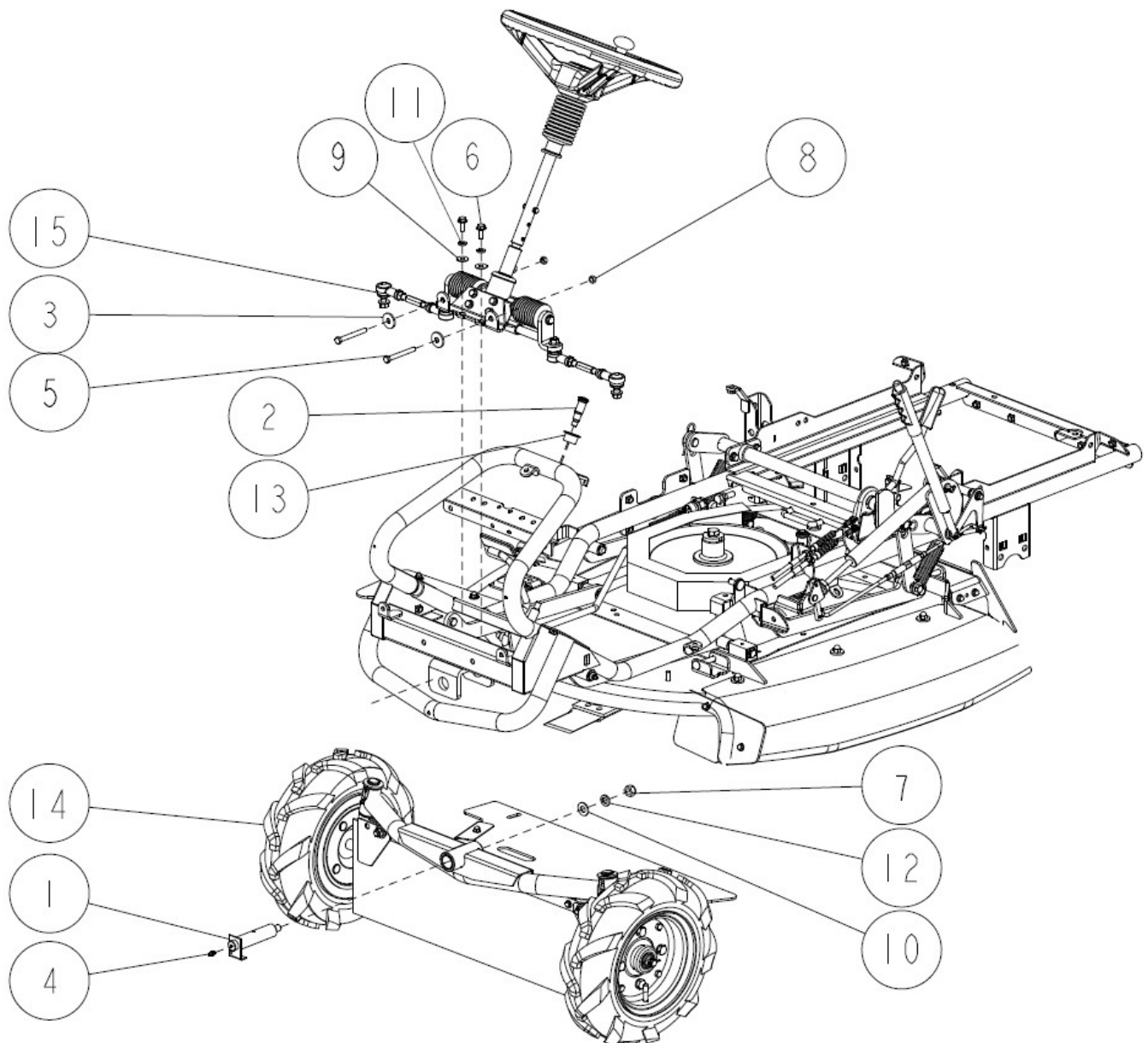
1	80-1482-332-0H	Key Switch Bracket CMP (Metallic Grey)	1	
2	0201-52700	Tension Spring for Blade	1	
3	0308-72200	Adjuster Bolt (L100)	1	OR·IA
3	0207-72300	Change Brake Adjuster	1	YB
4	0207-72800	Switch Lock Nut	1	
5	0207-74400	Safety Switch K17850	1	
6	0207-79700	Key Switch (NMA03-A020)	1	
7	0267-70600	Hour Meter (Digital)	1	
8	0284-2050H	Safety Switch Stay (Metallic Grey)	1	
9	85-1484-943-1H	Hour Meter Bracket (Metallic Grey)	1	
10	89-1159-060168	Truss Mini Screw M6*16	4	
11	89-1233-080202	Mini Hexagonal Bolt (PWSW) M8*20	9	
12	89-1611-080042	Mini Hexagonal Nut M8	2	
13	-	Engine part	1	
14	-	Control part	1	
No.	Parts No.	Parts Name	Qty	Remarks



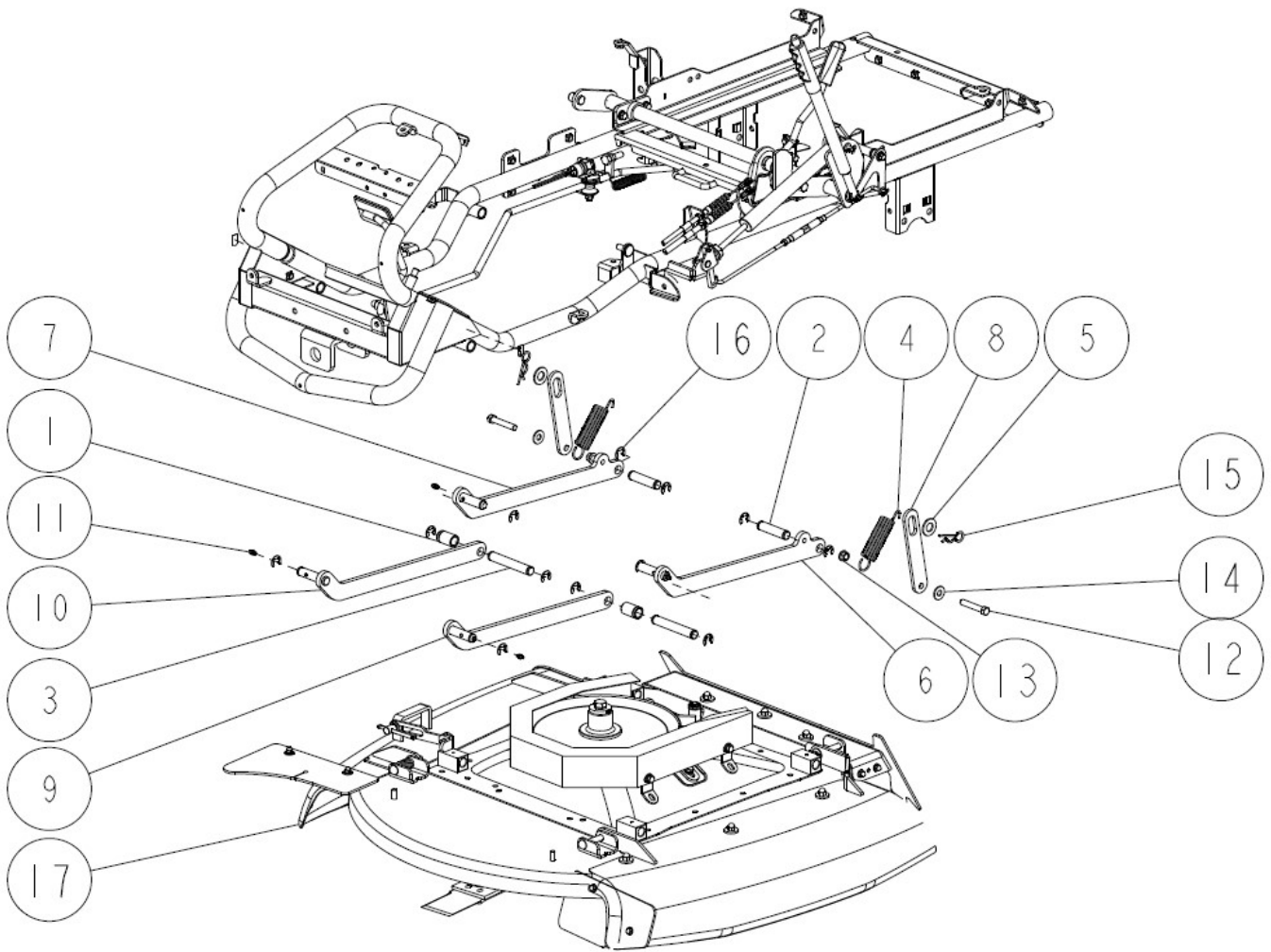
1	80-1751-411-00	Tire (L) Assy (16*7.00-8)	1	
2	80-1751-412-00	Tire (R) Assy (16*7.00-8)	1	
3	0207-77800	Wheel Boss Dust Seal	2	
4	0215-30101	Rear Wheel Boss (White)	2	
5	83-1630-335-00	Washer 16*40*4.5	2	
6	89-1113-100252	Hexagonal Bolt (8T) M10*25	8	
7	89-1658-160042	Low Fluted Nut (2 sorts) M16	2	
8	89-1750-100002	Spring Washer 10	8	
9	89-1750-160002	Spring Washer 16	2	
10	89-2120-350352	Split Pin 3.5*35	2	
11	89-2150-070500	Key 7*50 (round)	2	
12	80-1751-401-00	Tire 16*700*8	※1	Repair parts information
13	80-1751-404-00	Tire Tube 16*700*8	※1	Repair parts information
14	80-1751-407-00	Wheel Assy 16*700*8	※1	Repair parts information
No.	Parts No.	Parts Name	Qty	Remarks



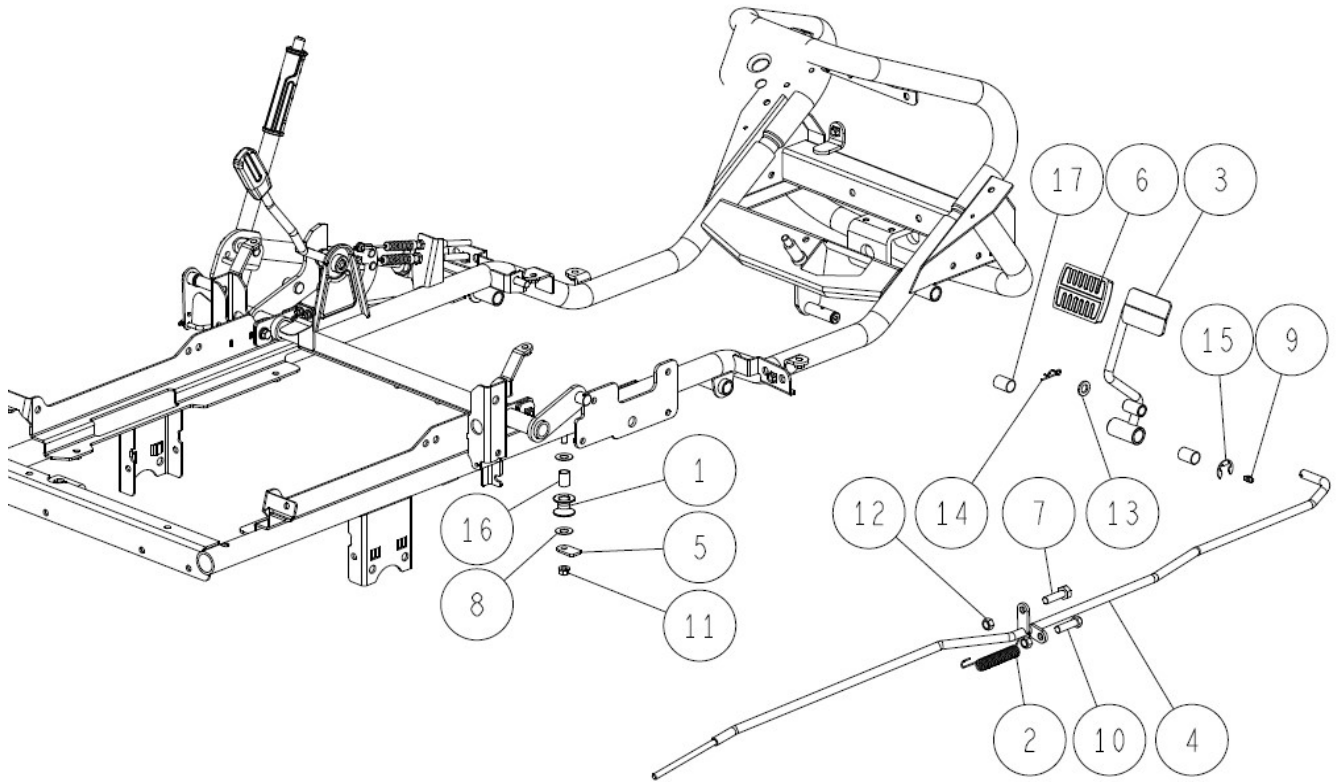
1	0207-0720H	Fan Cover CMP (Metallic Grey)	1	
2	0207-0740H	Fan Cover Setting CMP (Metallic Grey)	1	
3	0207-10300	Brake Joint	1	
4	0207-75400	Brake Spring 30	1	
5	0215-0510H	Transmission Hunger Stay CMP (Metallic Grey)	1	
6	0244-83200	Mini Hexagonal Bolt (PWSW) M10*25 (7T Lock)	4	
7	0310-09000	Transmission Assy (with HST)	1	
8	89-1233-080202	Mini Hexagonal Bolt (PWSW) M8*20	2	
9	89-1233-080352	Mini Hexagonal Bolt (PWSW) M8*35	1	
10	89-1561-080002	Mini Hexagonal U Nut M8	1	
11	89-1611-080042	Mini Hexagonal Nut M8	1	
12	89-1631-080042	Flange Mini Hexagonal Nut M8	4	
13	89-1711-080002	Flat Washer 8	3	
14	89-2120-200152	Split Pin 2*15	1	
No.	Parts No.	Parts Name	Qty	Remarks



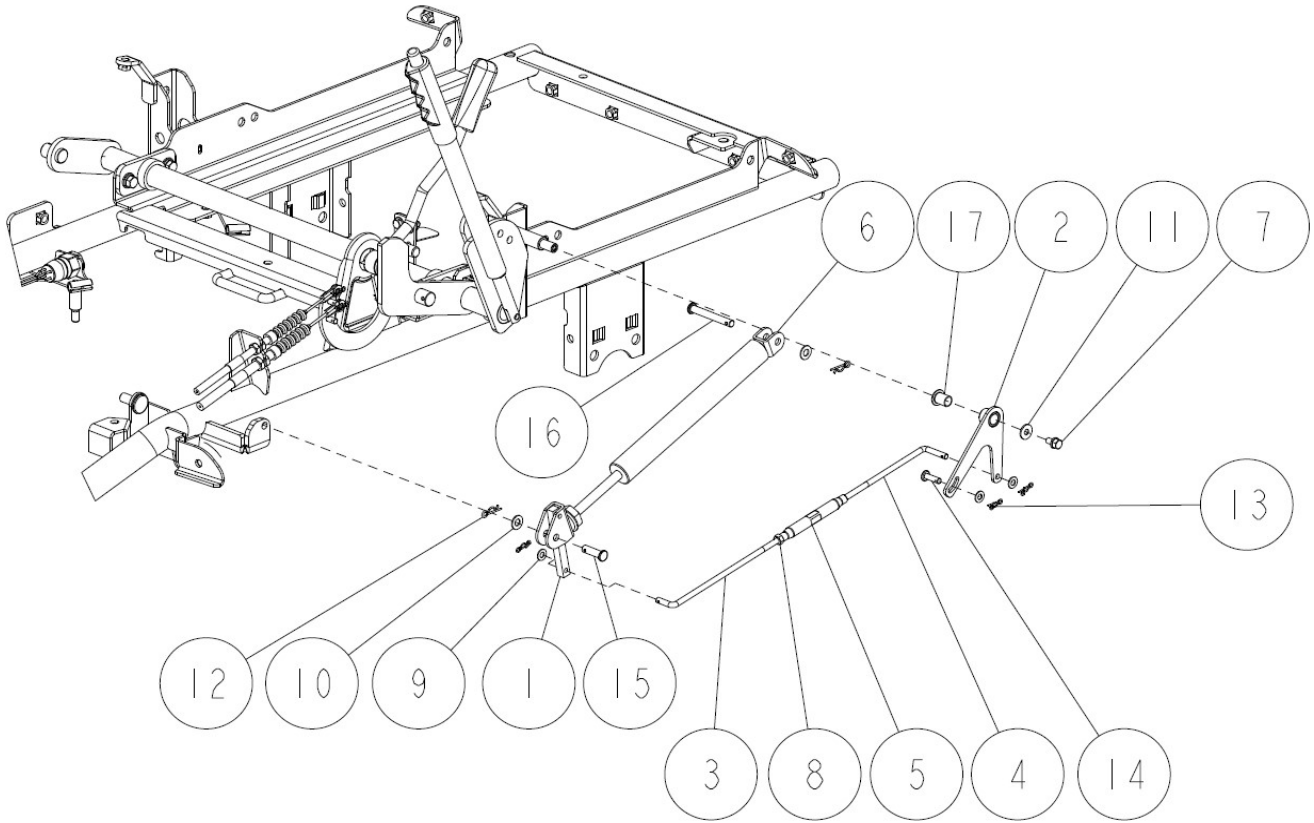
1	0207-30700	Center Pin	1	
2	0207-79300	Pilot Lamp	1	
3	83-1415-312-00	Washer 8*30*3.2	2	
4	83-1415-975-00	Grease Nipple M6	1	
5	89-1211-080702	Mini Hexagonal Bolt M8*70	2	
6	89-1253-080202	Flange Mini Hexagonal Bolt (8T) M8*20	2	
7	89-1551-120002	Hexagonal U Nut M12	1	
8	0286-71900	Mini Hexagonal Nut (SW) Meck	2	
9	89-1713-080002	Flat Washer 8 (large)	2	
10	83-1481-328-00	Washer 12*30*3.2	1	
11	89-1750-080002	Spring Washer 8	2	
12	89-1750-120002	Spring Washer 12	1	
13	89-3511-022150	DU Bush 22.15.33F	1	
14	-	Front part	1	
15	-	Handle part	1	
No.	Parts No.	Parts Name	Qty	Remarks



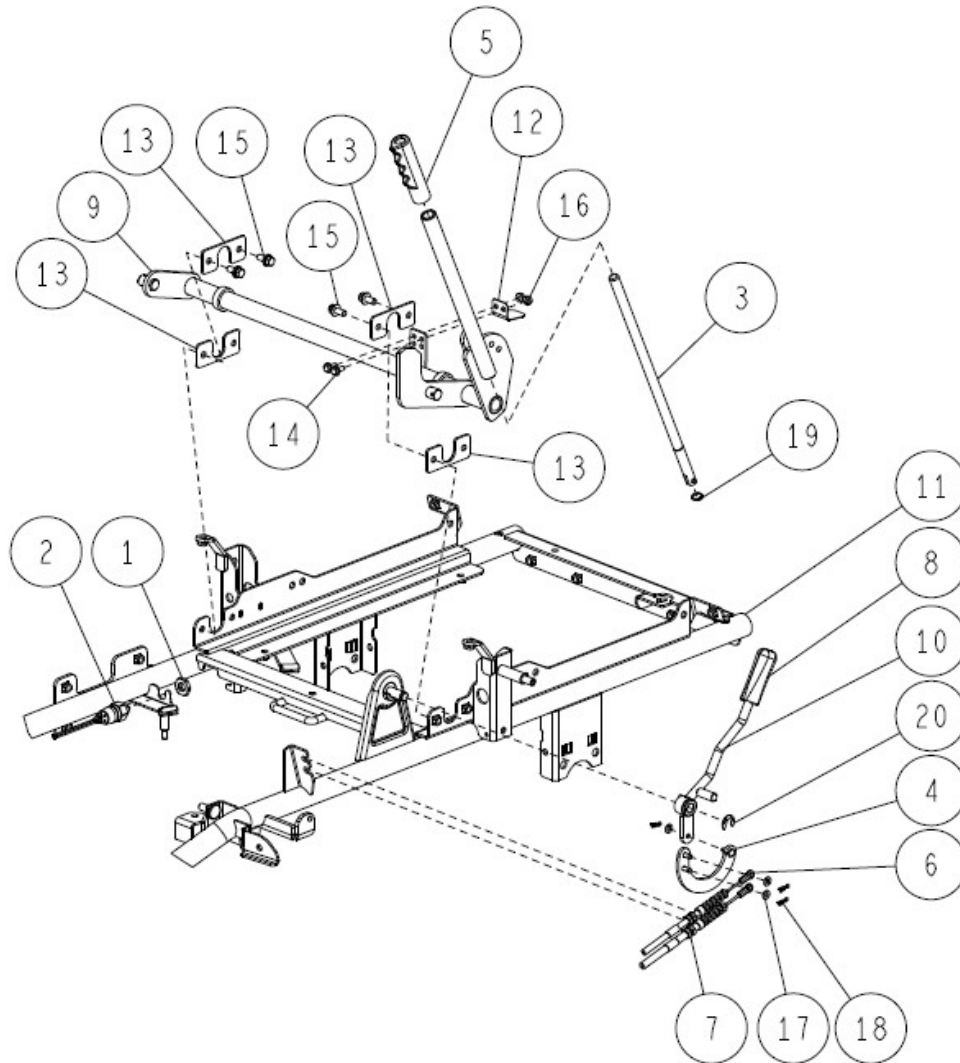
1	80-1490-705-0H	Link Collar (RM83G) (Metallic Grey)	2	
2	80-1490-706-10	Link Pin (A) (RM83G)	2	
3	80-1490-709-10	Link Pin B (RM83G)	2	
4	0207-76200	Spring (Up/Down)	2	
5	0207-76800	Washer 16*32*2.3	2	
6	0316-5010H	Link Arm CMP (Left-rear) RM83G (Metallic Grey)	1	
7	0316-5020H	Link Arm CMP (Right-rear) RM83G (Metallic Grey)	1	
8	0316-5031H	Connecting Plate (RM83G) (Metallic Grey)	2	
9	0316-5040H	Link Arm CMP (Left-front) RM83G (Metallic Grey)	1	
10	0316-5050H	Link Arm CMP (Right-front) RM83G (Metallic Grey)	1	
11	83-1415-975-00	Grease Nipple M6	4	
12	89-1213-100552	Mini Hexagonal Bolt (8T) M10*55	2	
13	89-1631-100042	Flange Mini Hexagonal Nut M10	2	
14	89-1713-100002	Flat Washer 10 (large)	2	
15	89-2131-160002	Snap Pin 16	2	
16	89-2521-000120	E Type Ring 12	12	
17	-	Cutting part	1	
No.	Parts No.	Parts Name	Qty	Remarks



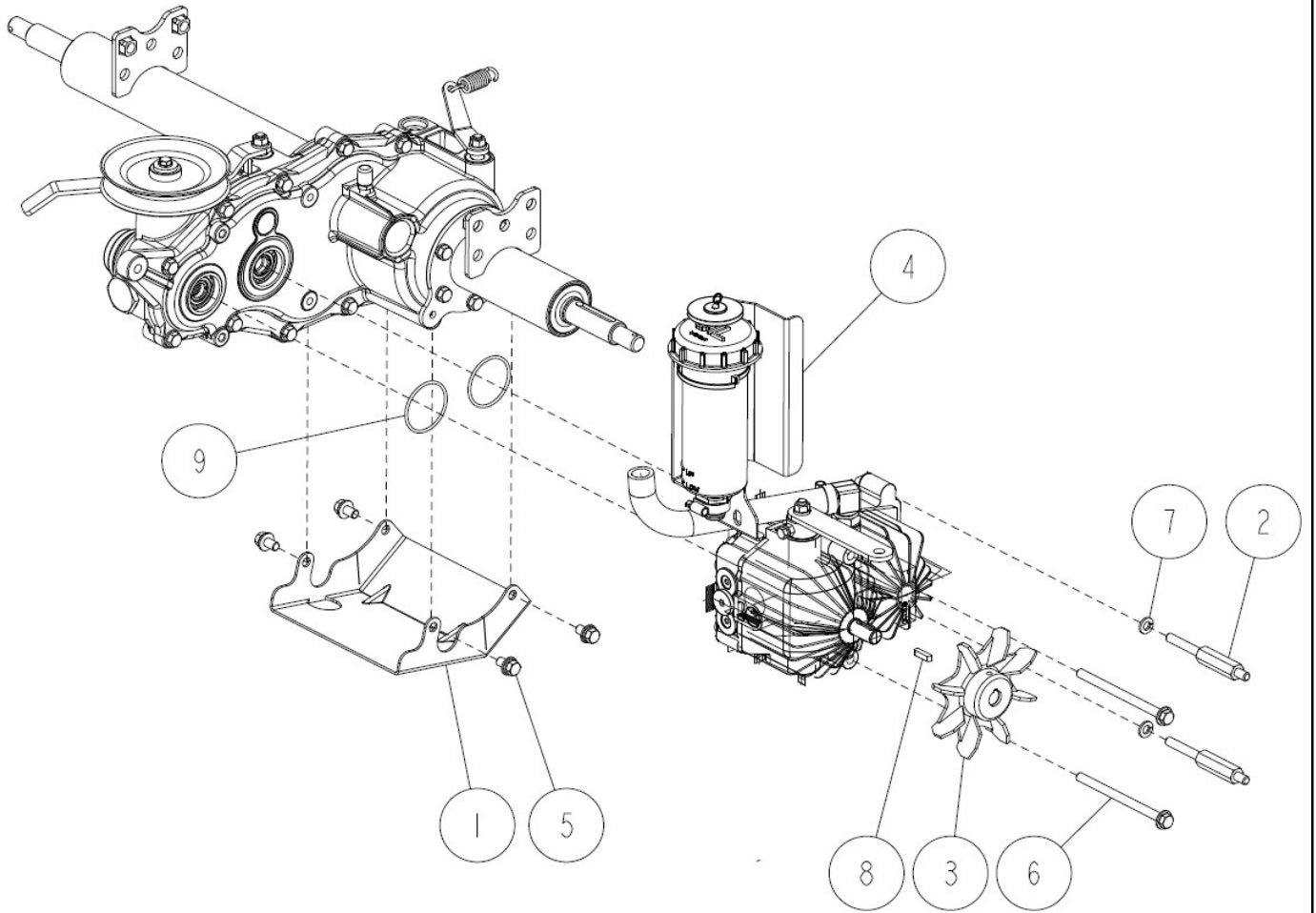
1	80-1484-354-10	Brake Rod Roller	1	
2	80-1493-354-00	Rod Return Spring	1	
3	0207-1010H	Brake Pedal (Metallic Grey)	1	
4	0215-10200	Brake Rod CMP	1	
5	0244-22600	Brake Rod Hung Plate	1	
6	0310-73700	Pedal Rubber	1	
7	0352-79900	Hexagonal Bolt M10*35	1	
8	83-1020-355-00	Thrust Washer 12*24*1.0	2	
9	83-1415-975-00	Grease Nipple M6	1	
10	89-1213-100357	Mini Hexagonal Bolt (8T) M10*35	1	
11	89-1543-080002	Mini Hexagonal Nut (SW) M8	1	
12	89-1611-100042	Mini Hexagonal Nut M10	2	
13	89-1711-120002	Flat Washer 12	1	
14	89-2131-120002	Snap Pin 12	1	
15	89-2521-000150	E Type Ring 15	1	
16	89-3510-012200	DU Bush 12.20	1	
17	89-3510-016250	DU Bush 16.25	2	
No.	Parts No.	Parts Name	Qty	Remarks



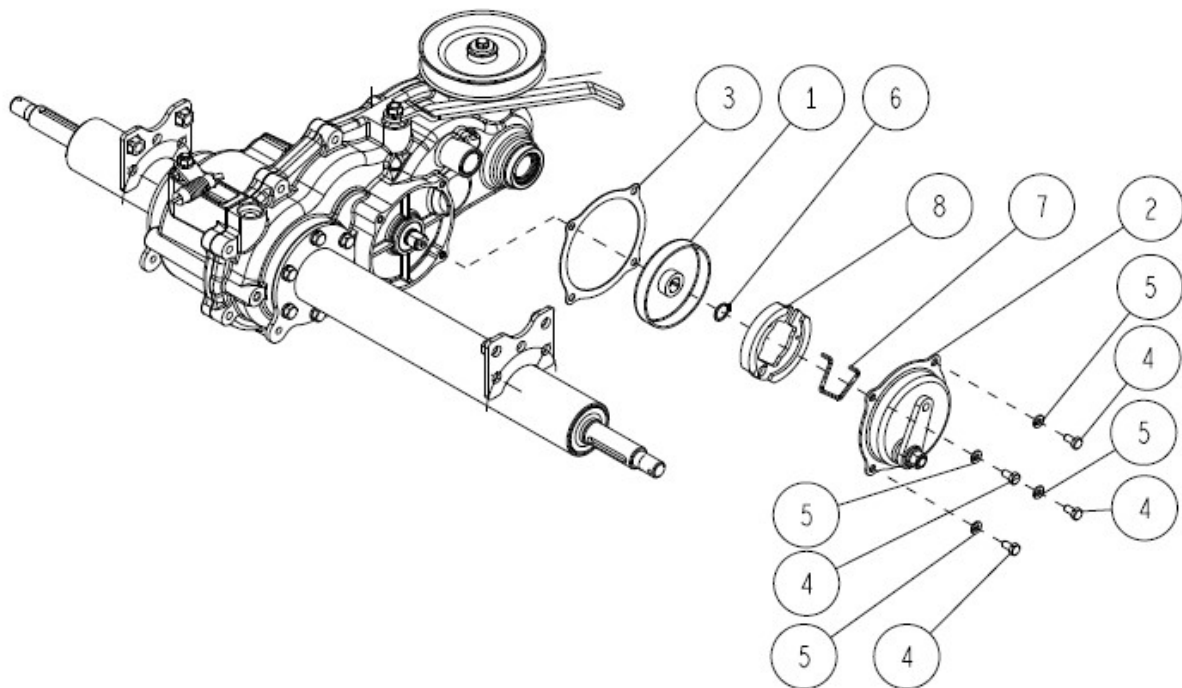
1	0244-10500	Lock Pusher	1	
2	0244-11300	Push Rod Receiver CMP	1	
3	0244-11400	Adjuster Rod (R)	1	
4	0244-11500	Adjuster Rod (L)	1	
5	0244-11600	Turn Buckle (Pipe Type)	1	
6	0255-70100	Gas Spring Free Lock Type(FLC75-35)	1	
7	89-1138-060122	Hexagonal Bolt (SW) M6*12	1	
8	89-1511-060042	Hexagonal Nut M6	1	
9	89-1711-060002	Flat Washer 6	3	
10	89-1711-080002	Flat Washer 8	2	
11	89-1713-060002	Flat Washer 6 (large)	1	
12	89-2131-080002	Snap Pin 8	2	
13	89-2132-060002	Snap Pin 6 (with stopper)	3	
14	89-2181-060202	Flat Head Pin 6*20	1	
15	89-2181-080282	Flat Head Pin 8*28	1	
16	89-2181-080602	Flat Head Pin 8*60	1	
17	89-3511-010150	DU Bush 10.15.18F	1	
-	0244-11000	Adjusting Rod Assy	※1	3,4,5,8
No.	Parts No.	Parts Name	Qty	Remarks



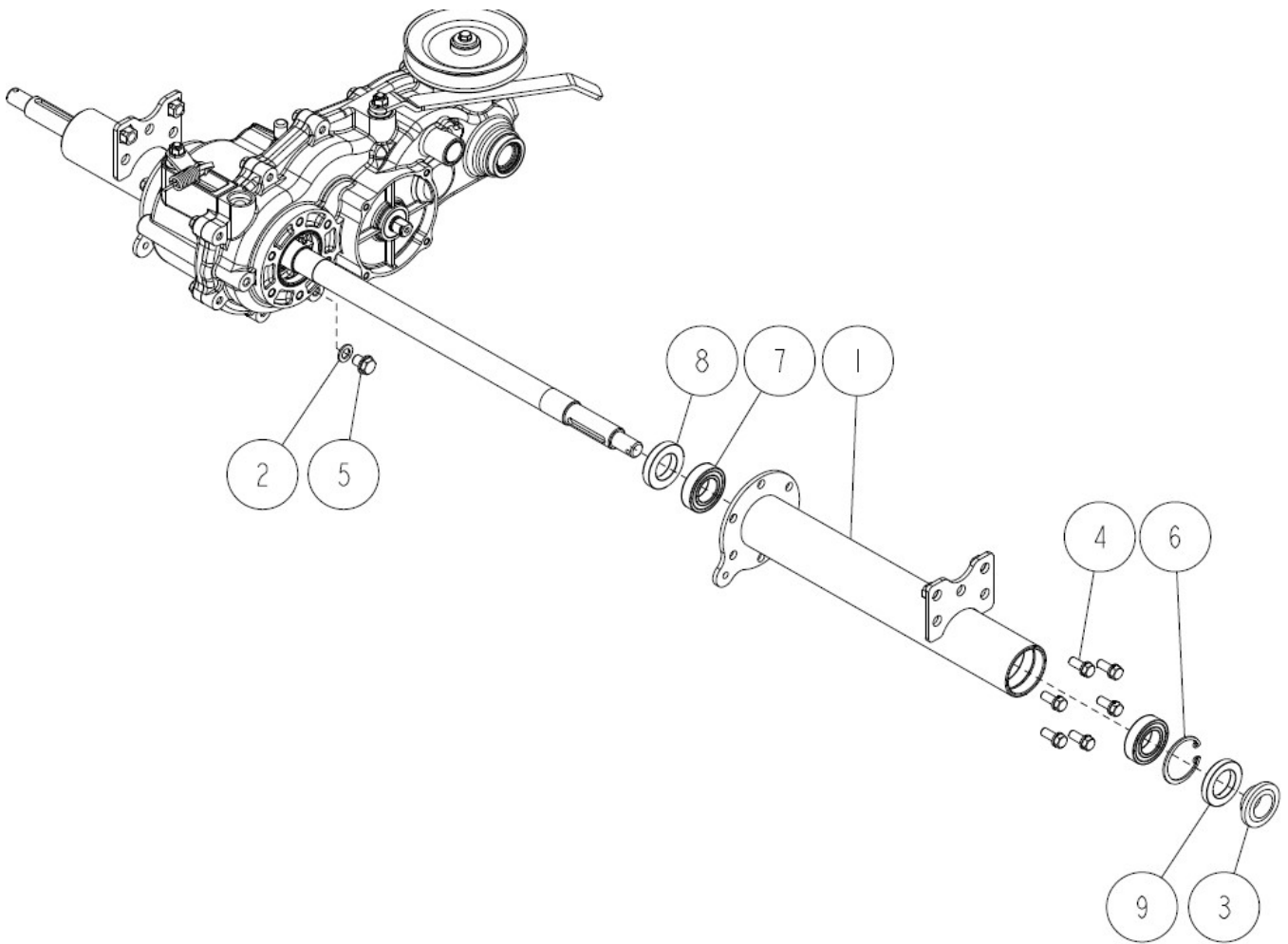
1	0207-72800	Switch Lock Nut	1	
2	0207-74400	Safety Switch K17850	1	
3	0244-10600	Push Rod	1	
4	0244-13700	Wire Joint CMP	1	
5	0342-74200	Cutting Height Grip	1	
6	0284-71110	Knife Brake Wire (SUS)	1	
7	0284-71310	Cutting Clutch Wire (SUS)	1	
8	0342-74100	RM Grip (Red)	1	
9	0310-1042H	Up/Down Adjusting Shaft CMP (RM830/83G) (Metallic Grey)	1	
10	0310-1050H	Knife Clutch Lever CMP (RM83G) (Metallic Grey)	1	
11	0310-2010H	Frame CMP (RM830) (Metallic Grey)	1	
12	0310-72200	Safety Switch Push Plate (RM830/83G)	1	
13	0342-10100	Up/Down Adjusting Shaft Stay	4	
14	89-1137-060152	Hexagonal Bolt (PW) M6*15	2	
15	89-1233-080202	Mini Hexagonal Bolt (PWSW) M8*20	4	
16	89-1531-060042	Flange Nut M6	2	
17	89-1711-060002	Flat Washer 6	3	
18	89-2132-060002	Snap Pin 6 (with stopper)	3	
19	89-2511-000130	Snap Ring (S13)	1	
20	89-2521-000120	E Type Ring 12	1	
-	0244-11200	Push Rod	1	3,19
No.	Parts No.	Parts Name	Qty	Remarks



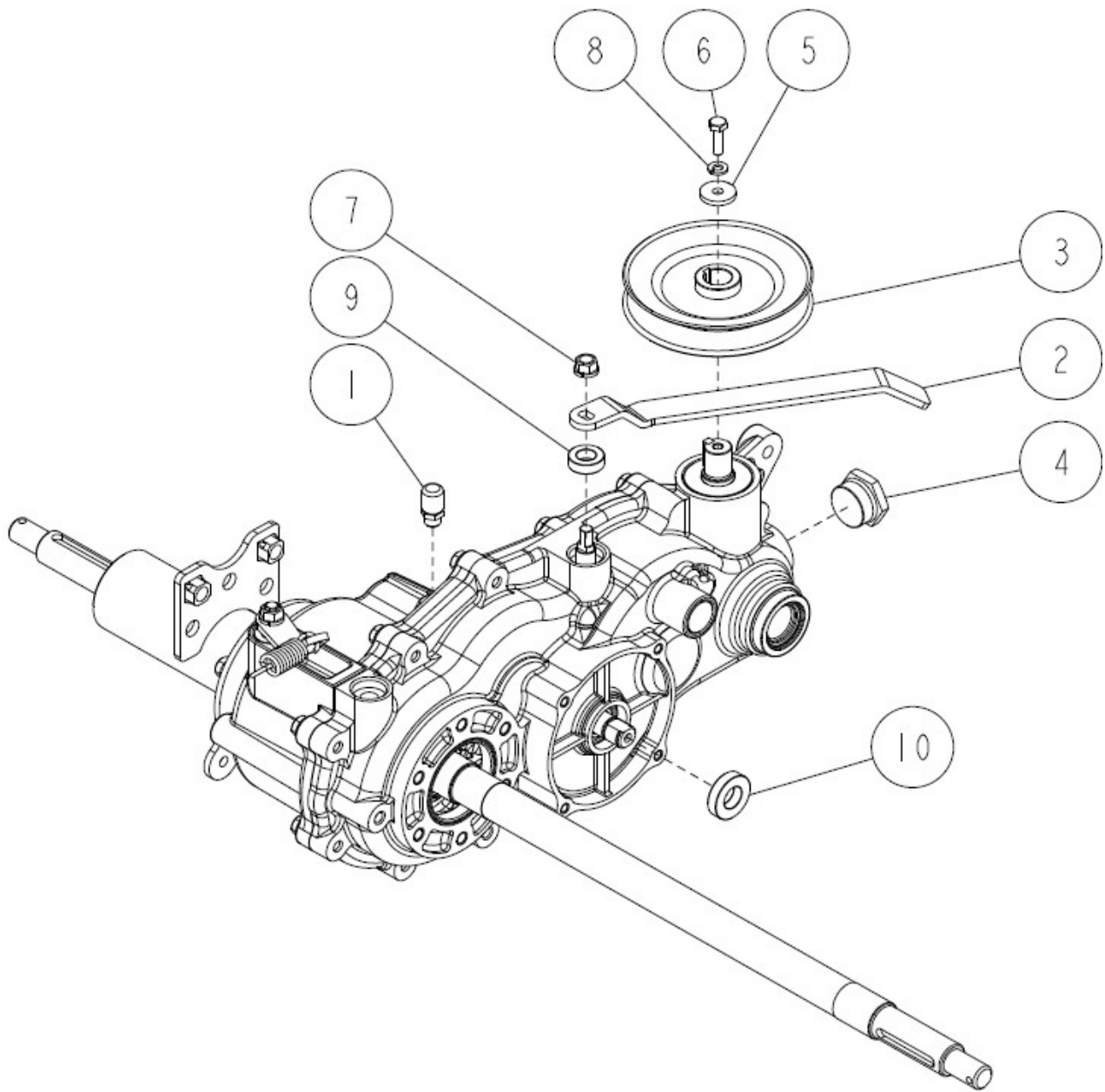
1	0207-0310H	Mission Guard CMP (Metallic Grey)	1	
2	0207-07300	Double Spring Bolt	2	
3	0207-07500	Fan	1	
4	0310-09200	HST Unit Assy (RM830H)	1	
5	89-1232-080122	Mini Hexagonal Bolt (SW) M8*12	4	
6	89-1251-081123	Flange Mini Hexagonal Bolt M8*112	2	
7	89-1750-080002	Spring Washer 8	2	
8	89-2150-050200	Key 5*20 (round)	1	
9	89-5222-045000	O Ring G45	2	
No.	Parts No.	Parts Name	Qty	Remarks



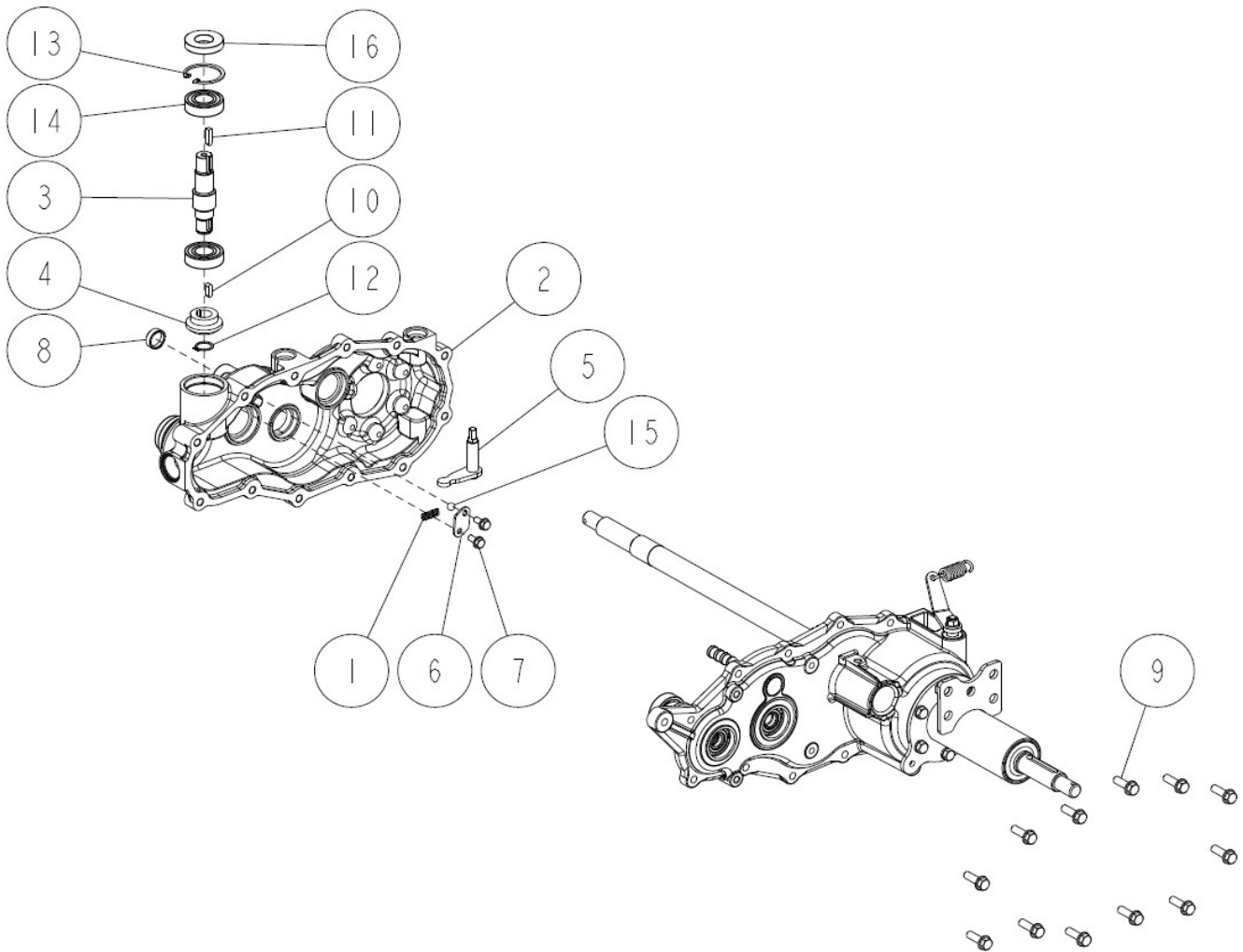
1	80-1030-282-00	Brake Drum (PA-7)	1	
2	0207-73200	Brake Cap Assy	1	Incl. 7,8
3	0308-00300	Brake Cover PK (PA-7)	1	
4	89-1113-060122	Hexagonal Bolt (8T) M6*12	4	
5	89-1750-060002	Spring Washer 6	4	
6	89-2511-000150	Snap Ring (S15)	1	
7	80-1030-285-00	Spring for Brake Shoe Return	※1	Repair parts information
8	0244-88100	Brake Shoe Set (PA-7)	※1	Repair parts information
-	0207-73000	Brake Assy	※1	1,2,3
No.	Parts No.	Parts Name	Qty	Remarks



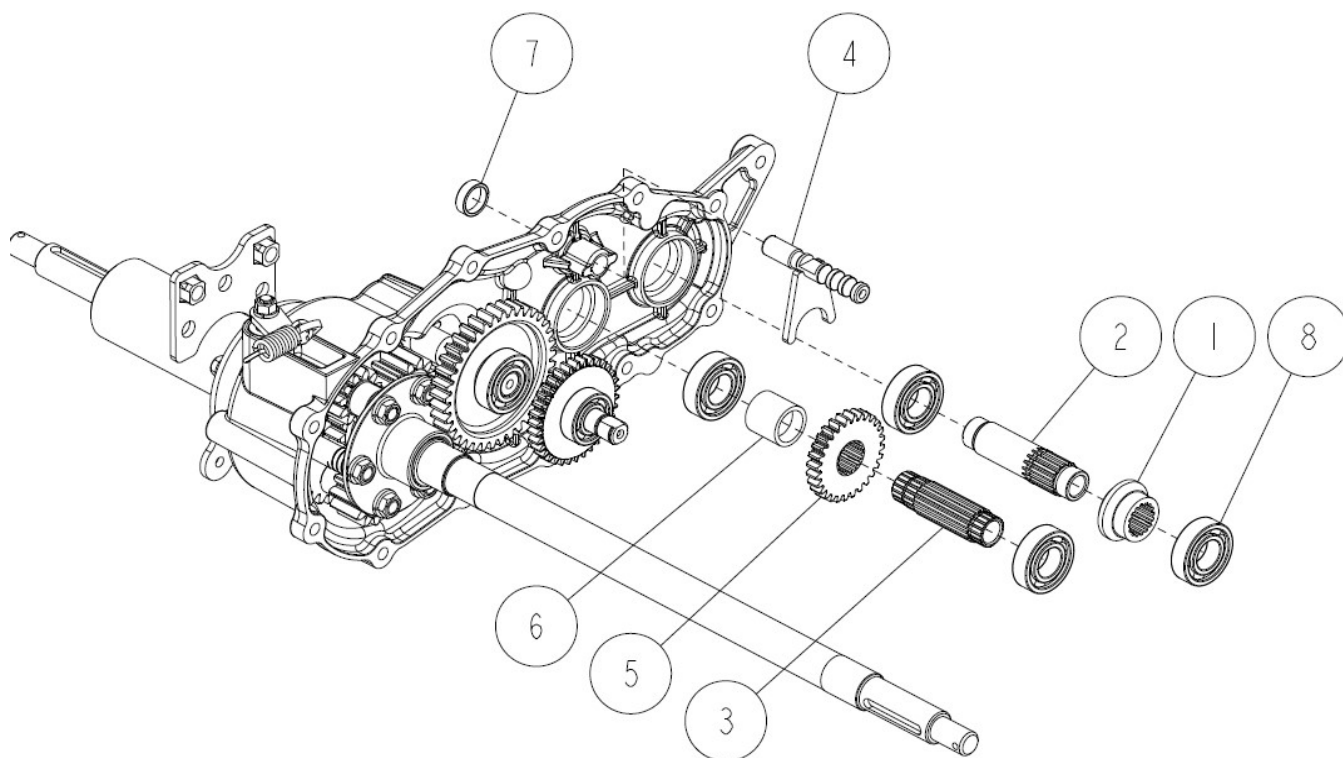
1	0215-0060H	Axle Case (L) CMP (Metallic Grey)	1	
2	83-1020-349-00	Copper Packing 10.5*18*1.6	1	
3	83-1415-663-00	Oil Seal DP 25.30.15	1	
4	89-1232-080202	Mini Hexagonal Bolt (SW) M8*20	6	
5	89-1252-100122	Flange Mini Hexagonal Bolt M10*12 (slender)	1	
6	89-2512-000470	Snap Ring (R47)	1	
7	0342-77800	Bearing 6005 2NSE-NB	2	
8	89-5121-284708	Oil Seal UE 28.47.8	1	
9	89-5121-304707	Oil Seal UE 30.47.7	1	
No.	Parts No.	Parts Name	Qty	Remarks



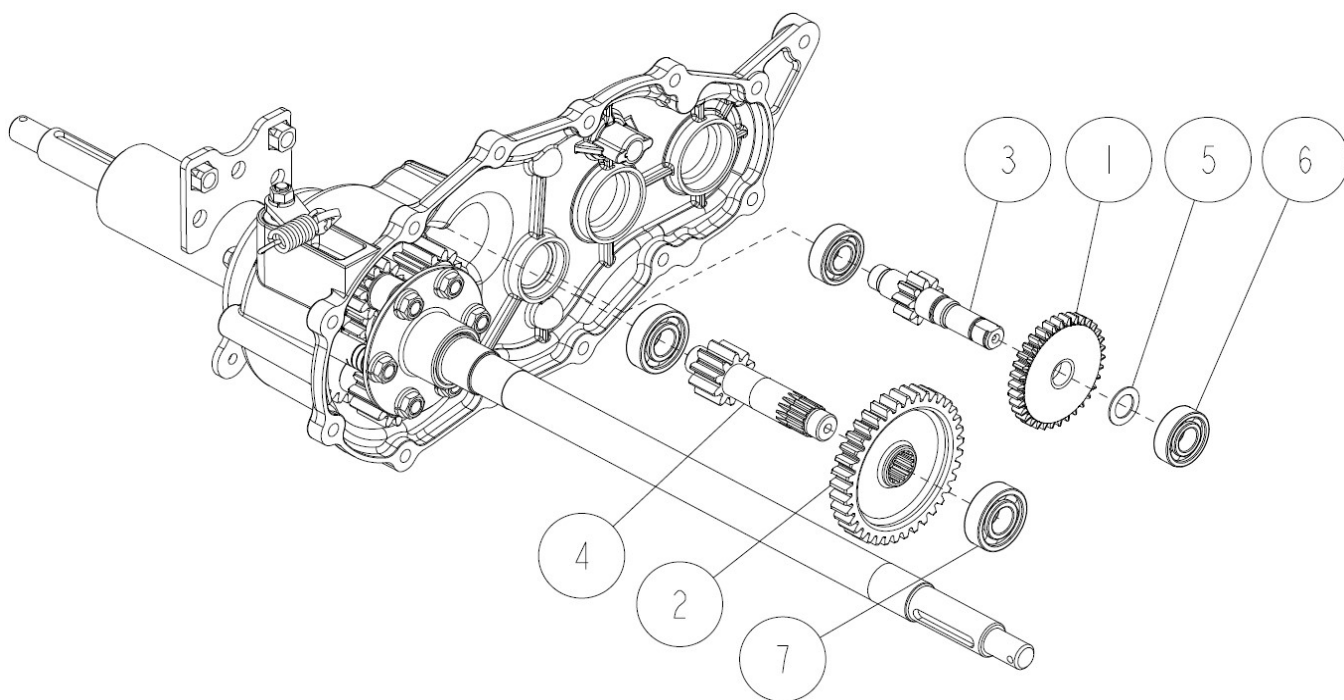
1	0207-06100	Air Breather	1	
2	0215-0010H	Driving Clutch Arm (Metallic Grey)	1	
3	0284-4020H	Transmission Pulley (Hi) (Metallic Grey)	1	
4	0289-01000	Oil Plug Assy (with O Ring)	1	リング付
5	83-1482-311-00	Washer 6.5*22*3.2	1	
6	89-1113-060202	Hexagonal Bolt (8T) M6*20	1	
7	89-1543-080002	Mini Hexagonal Nut (SW) M8	1	
8	89-1750-060002	Spring Washer 6	1	
9	89-5121-122207	Oil Seal UE 12.22.7	1	
10	89-5125-153007	Oil Seal UE 15.30.07F	1	
No.	Parts No.	Parts Name	Qty	Remarks



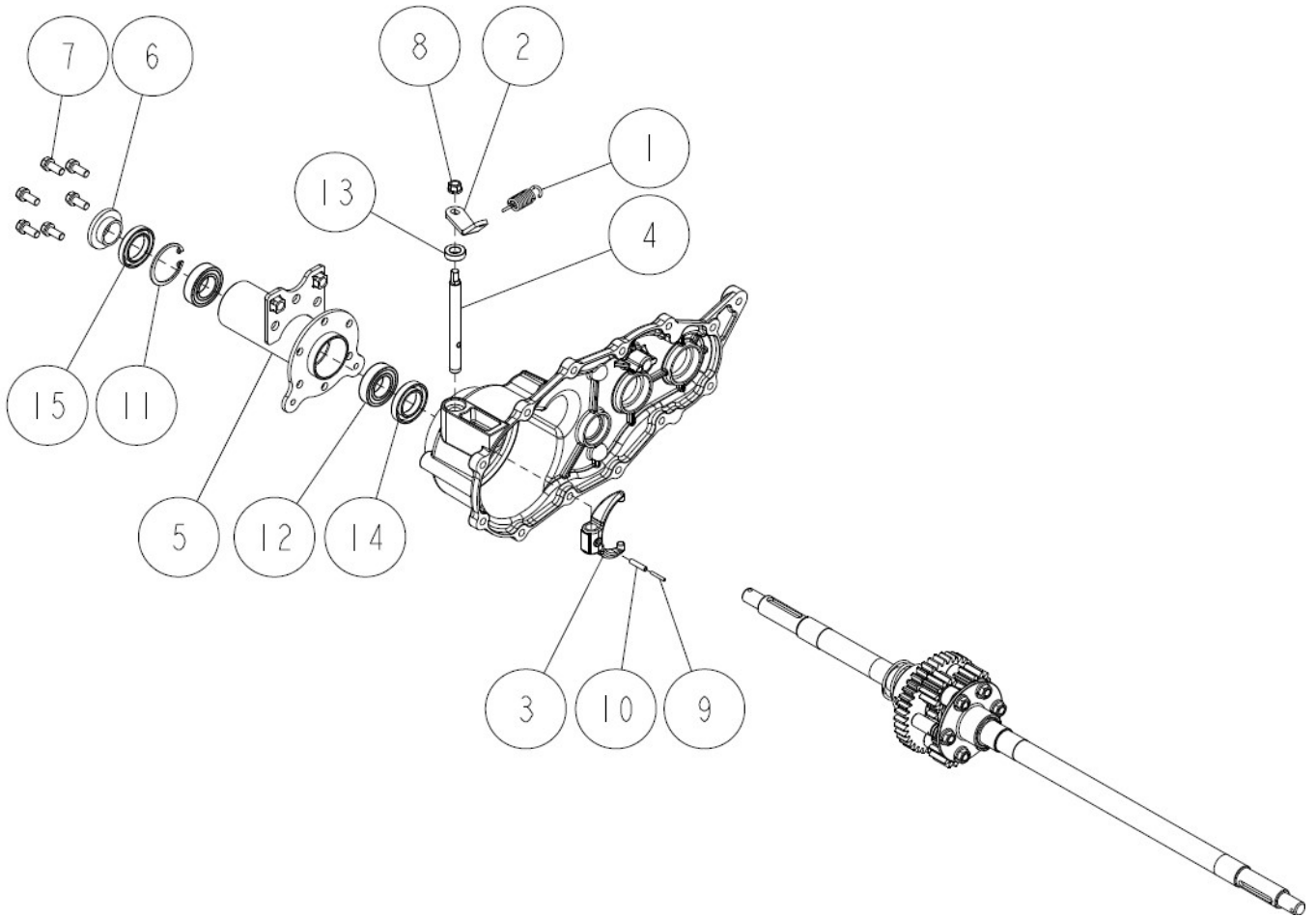
1	80-1310-138-00	Spring 1.4	1	
2	0207-00100	Transmission Case(L)	1	
3	0207-00300	A Axle	1	
4	0207-00400	20T Spiral Mita Gear(L)	1	
5	0207-01700	Swing Arm CMP	1	
6	0207-01900	Shift Spring Holder	1	
7	83-1020-148-00	Tapping Bolt M6*14	2	
8	83-1415-671-00	Blind Cover 22	1	
9	83-1482-143-00	Tapping Bolt M8*25	12	
10	89-2150-050160	Key 5*16 (round)	1	
11	89-2151-050200	Key 5*20 (half round)	1	
12	89-2511-000170	Snap Ring (S17)	1	
13	89-2512-000420	Snap Ring (R42)	1	
14	89-3115-060044	Bearing 6004 2RS	2	
15	89-3410-080000	Steel Ball 8.0	1	
16	89-5121-204208	Oil Seal UE 20.42.8	1	
No.	Parts No.	Parts Name	Qty	Remarks



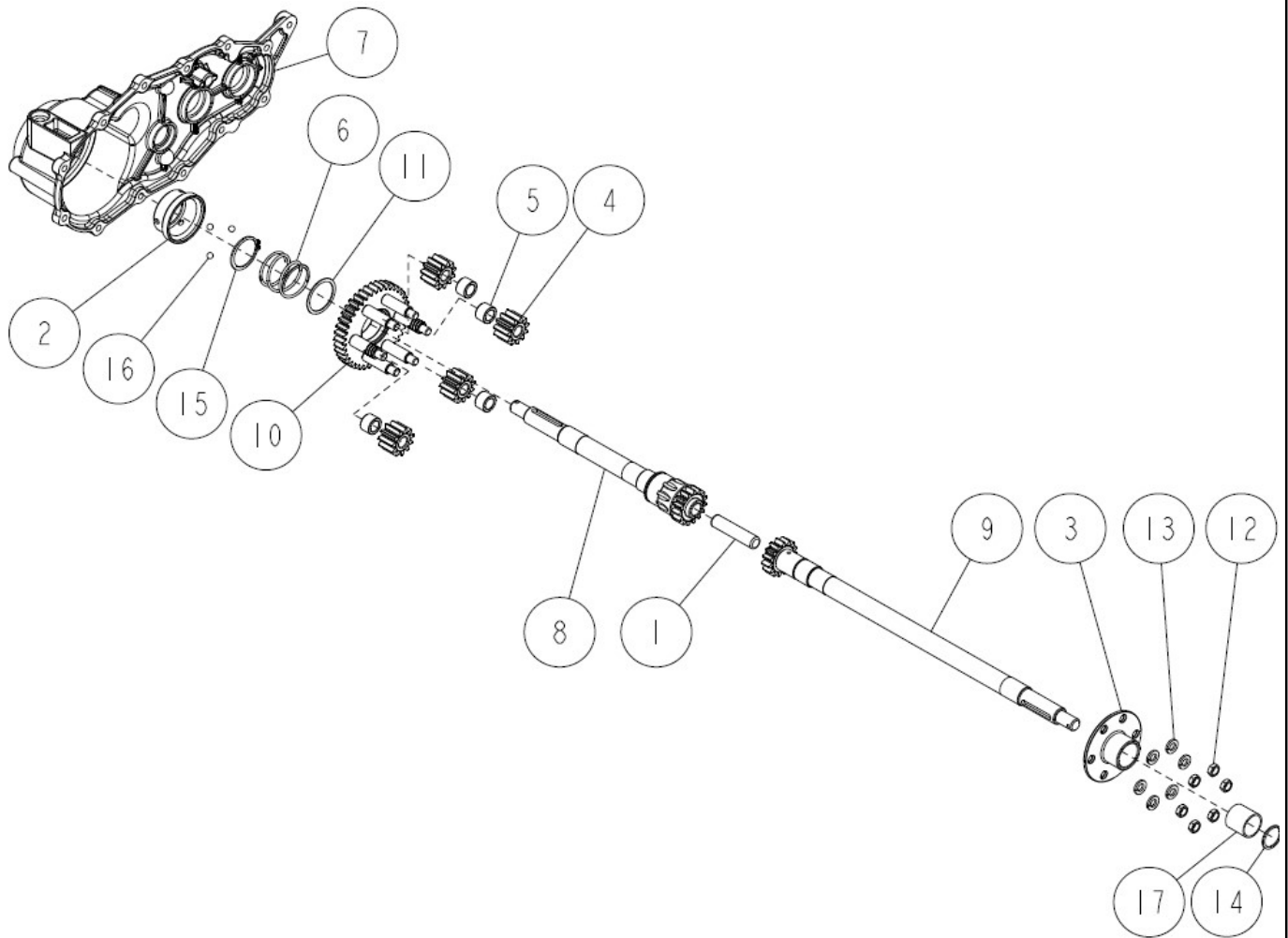
1	0207-00500	20T Spiral Mita Gear(R)	1	
2	0207-00600	B Axle	1	
3	0207-00700	C Axle	1	
4	0207-01600	Shift Fork Shaft CMP	1	
5	0215-00400	Shift Gear 28	1	
6	0215-00500	C Axle Collar 26	1	
7	83-1415-671-00	Blind Cover 22	1	
8	89-3111-060044	Bearing 6004	4	
No.	Parts No.	Parts Name	Qty	Remarks



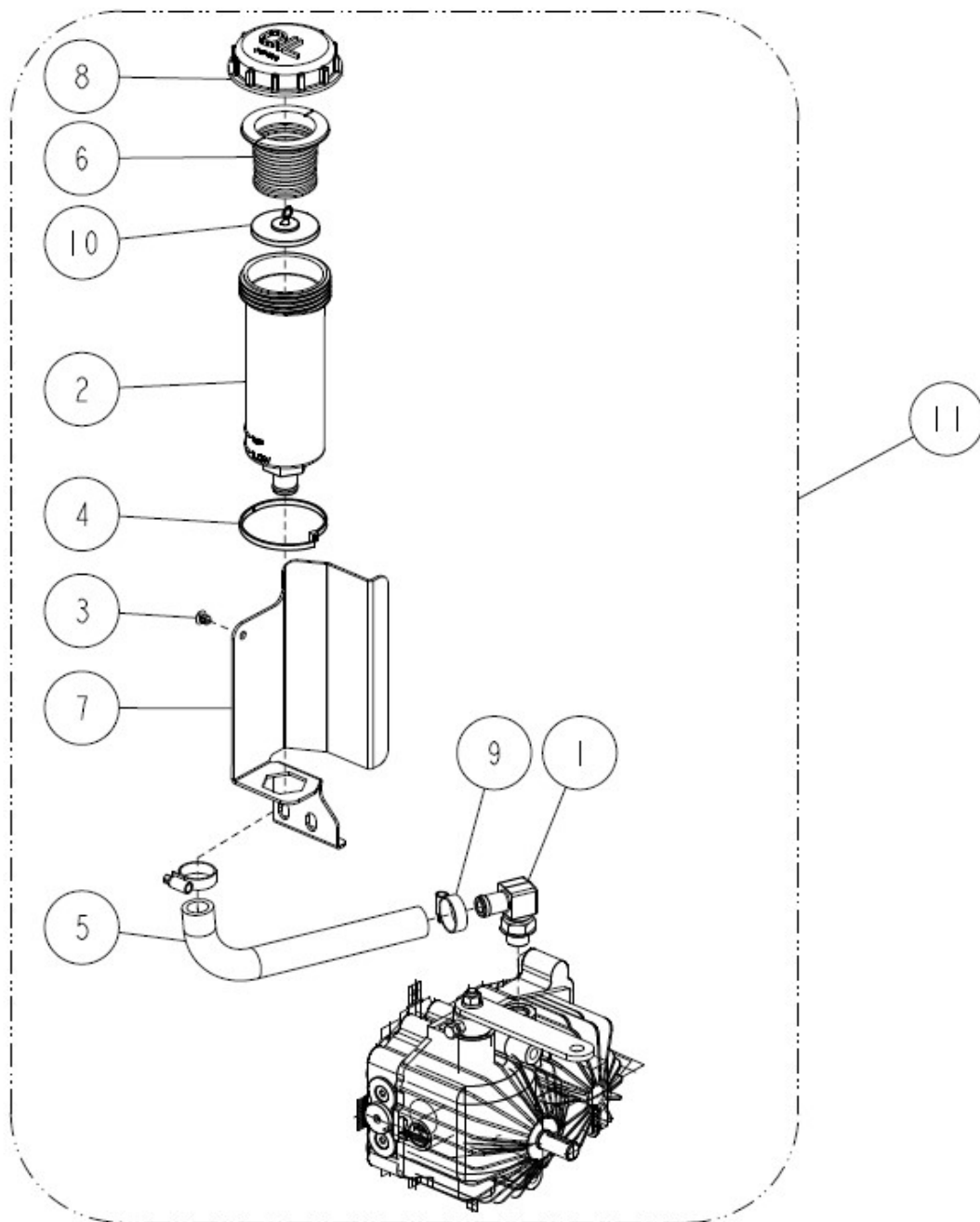
1	0207-01310	Brake Shaft 34T Gear	1	
2	0207-01400	D Axle 37T Gear	1	
3	0215-00300	Brake Shaft	1	
4	0244-00400	D Axle	1	
5	83-1020-361-00	Thrust Washer 15*24*1.0	1	
6	89-3111-062024	Bearing 6202	2	
7	89-3111-062034	Bearing 6203	2	
No.	Parts No.	Parts Name	Qty	Remarks



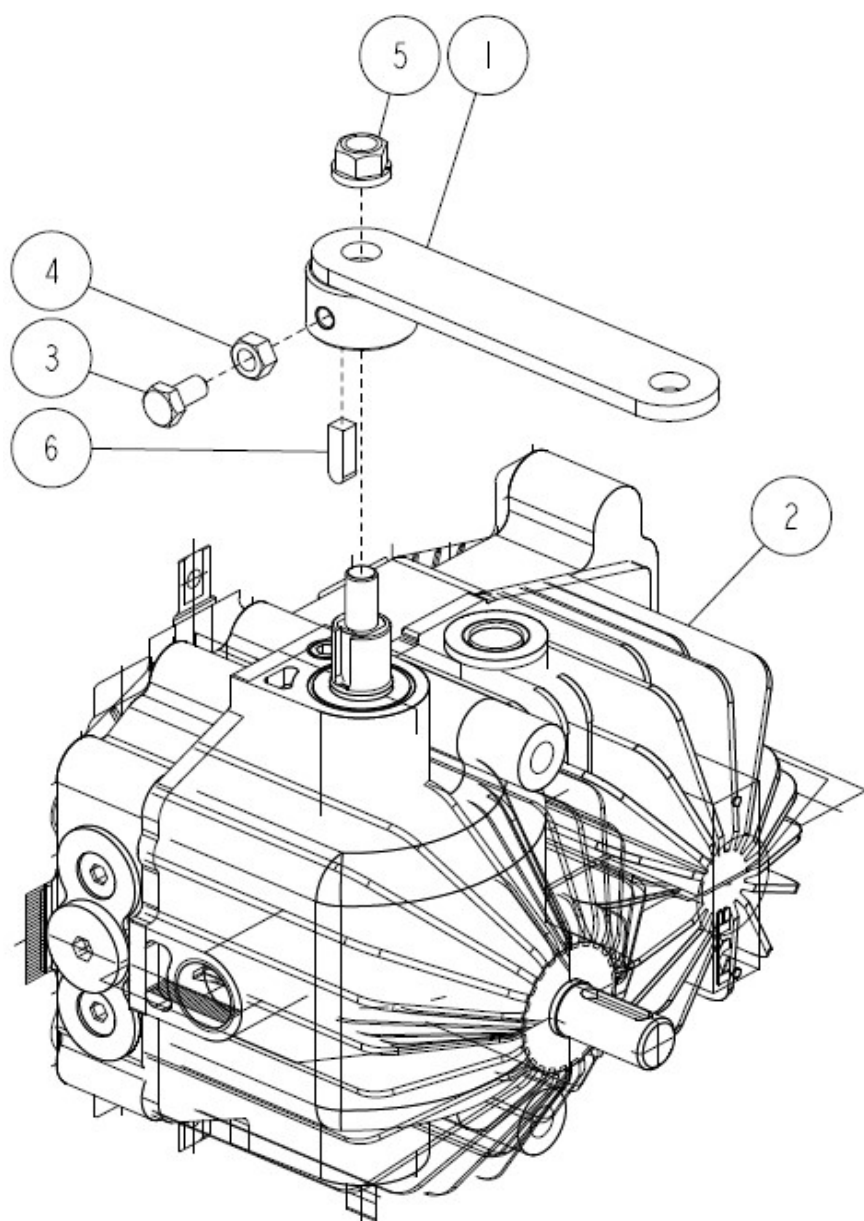
1	80-1425-551-00	Differential Lock Spring	1	
2	80-1488-153-00	Differential Lock Arm	1	
3	80-1830-113-00	Differential Lock Fork	1	
4	0207-01800	Differential Lock Fork Shaft	1	
5	0215-0070H	Axle Case (R) CMP (Metallic Grey)	1	
6	83-1415-663-00	Oil Seal DP 25.30.15	1	
7	89-1232-080202	Mini Hexagonal Bolt (SW) M8*20	6	
8	89-1543-080002	Mini Hexagonal Nut (SW) M8	1	
9	89-2111-030020	Spring Pin 3*20	1	
10	89-2111-050022	Spring Pin 5*22	1	
11	89-2512-000470	Snap Ring (R47)	1	
12	0342-77800	Bearing 6005 2NSE-NB	2	
13	89-5121-122207	Oil Seal UE 12.22.7	1	
14	89-5121-284708	Oil Seal UE 28.47.8	1	
15	89-5121-304707	Oil Seal UE 30.47.7	1	
No.	Parts No.	Parts Name	Qty	Remarks



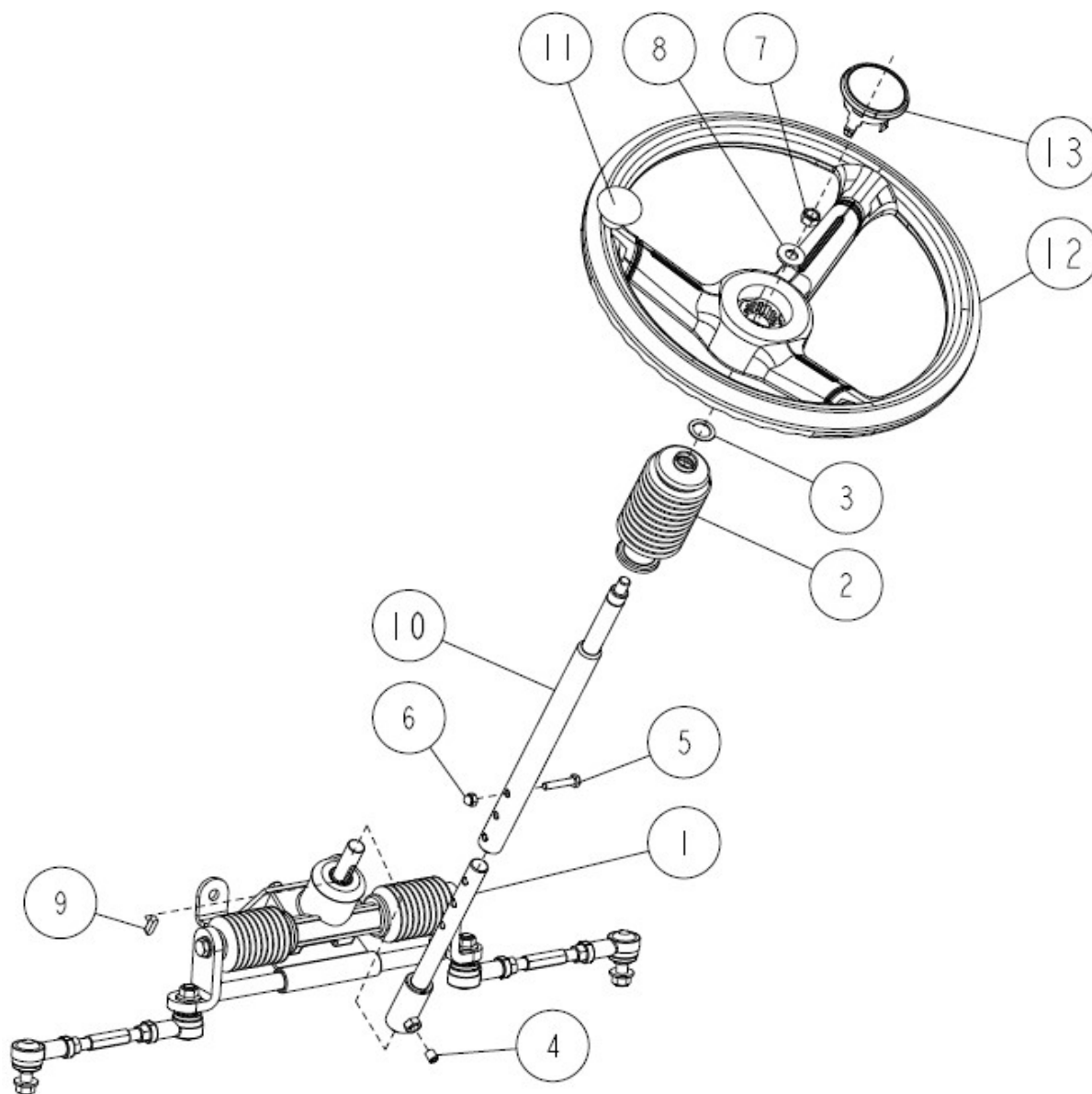
1	80-1415-150-00	Axle Pin	1	
2	80-1425-143-00	Differential Lock Cone	1	
3	80-1481-151-00	Differential Lock Plate	1	
4	80-1481-152-00	Differential Lock Gear 11T	4	
5	80-1481-155-00	Differential Gear Shaft Collar	4	
6	80-1751-162-00	Differential Lock Spring	1	
7	0207-00200	Transmission Case(R)	1	
8	0215-00800	Axle (R) CMP	1	
9	0215-00900	Axle (L) CMP	1	
10	0244-00300	Axle Gear 39T CMP	1	
11	83-1830-382-00	Thrust Washer 40*48*1.0	1	
12	89-1613-100042	Mini Hexagonal Nut (3 sorts) M10	6	
13	89-1750-100002	Spring Washer 10	6	
14	89-2511-000280	Snap Ring (S28)	1	
15	89-2511-000400	Snap Ring (S40)	1	
16	89-3410-075000	Steel Ball 7.5	3	
17	89-3510-028300	DU Bush 28.30	1	
No.	Parts No.	Parts Name	Qty	Remarks



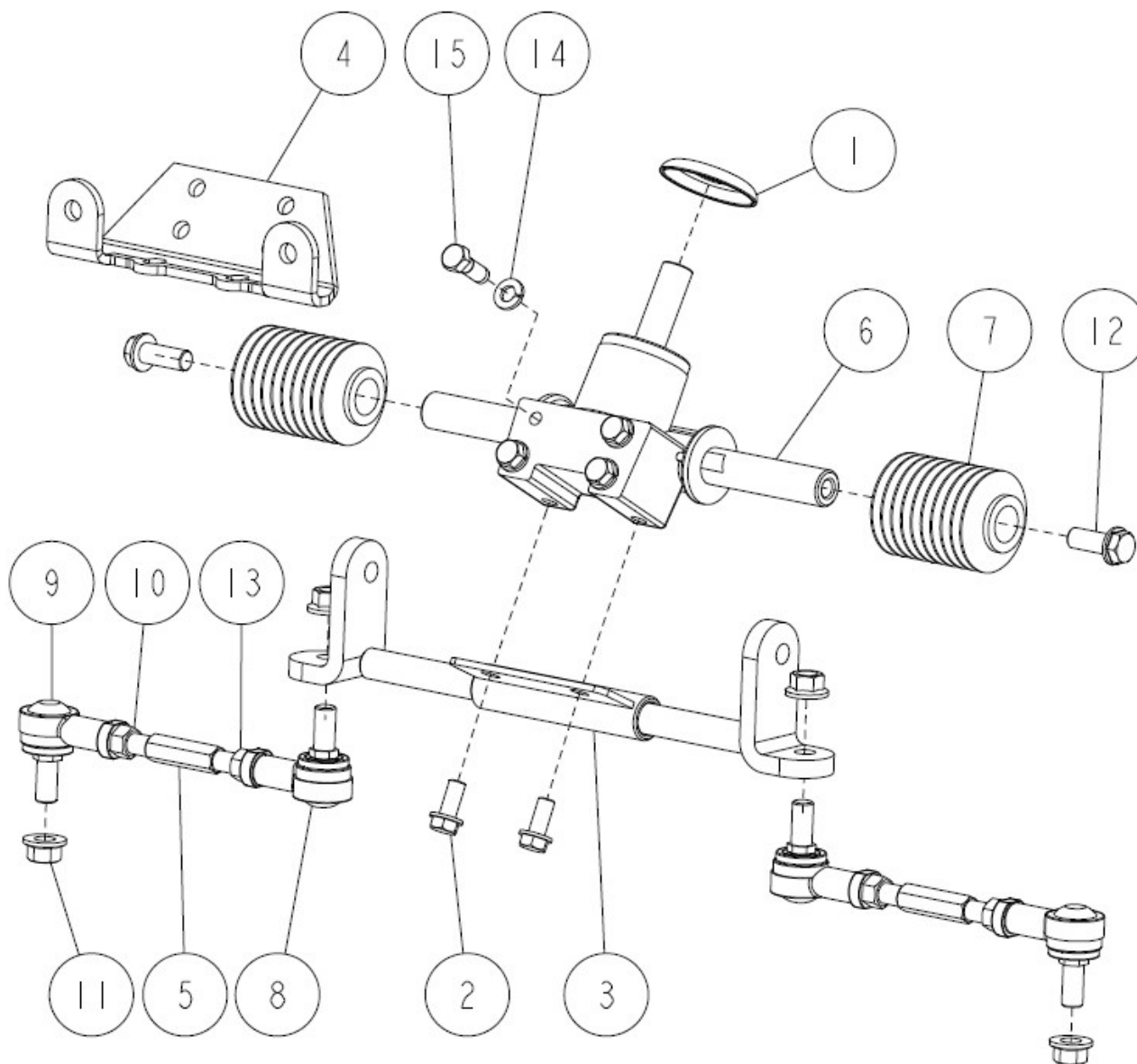
1	0207-07700	Port Joint	1	
2	0207-08610	HST Oil Tank (without Tank Cap)	1	
3	0207-79800	Push Clip	1	
4	0207-79900	Wire Band 250L	1	
5	0228-70100	Oil Hose	1	
6	0289-71200	Waterproof Packing	1	
7	0310-08201	Holder, Oil Tank (RM830H) (White)	1	
8	0312-01800	HST Oil Tank Cap (Black)	1	
9	0312-74400	Hose Band 16-25	2	
10	0322-71600	Moisture Adsorption Sheet	1	
11	0310-09200	HST Unit Assy (RM830H)	1	
-	0322-01600	HST Oil Tank Assy (Black Cap)	1	2,6,8
No.	Parts No.	Parts Name	Qty	Remarks



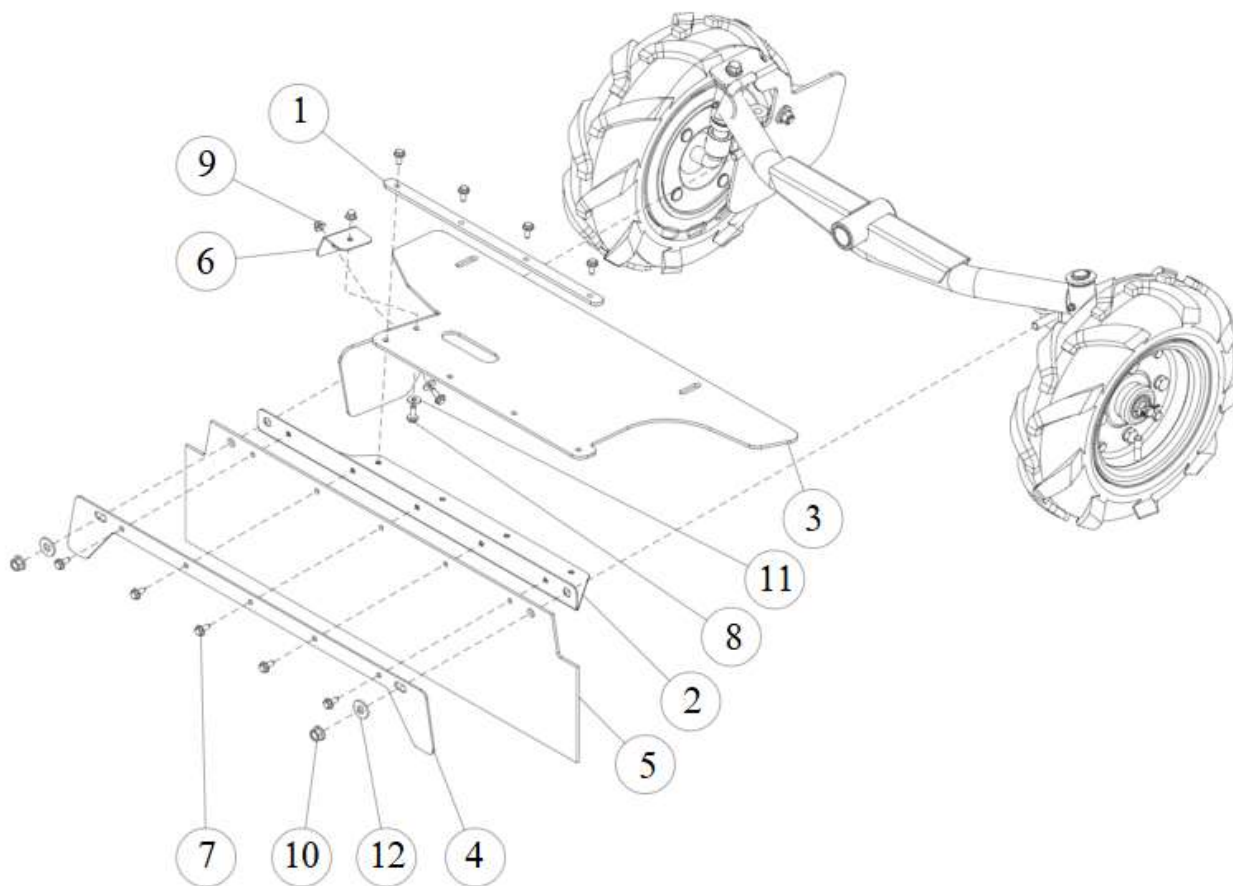
1	0207-0261H	Control Arm CMP (Metallic Grey)	1	
2	-	HSTUnit	1	※HSTユニットASSYで供給
3	89-1113-060122	Hexagonal Bolt (8T) M6*12	1	
4	89-1511-060042	Hexagonal Nut M6	1	
5	89-1543-080002	Mini Hexagonal Nut (SW) M8	1	
6	89-2151-050160	Key 5*16 (half round)	1	
No.	Parts No.	Parts Name	Qty	Remarks



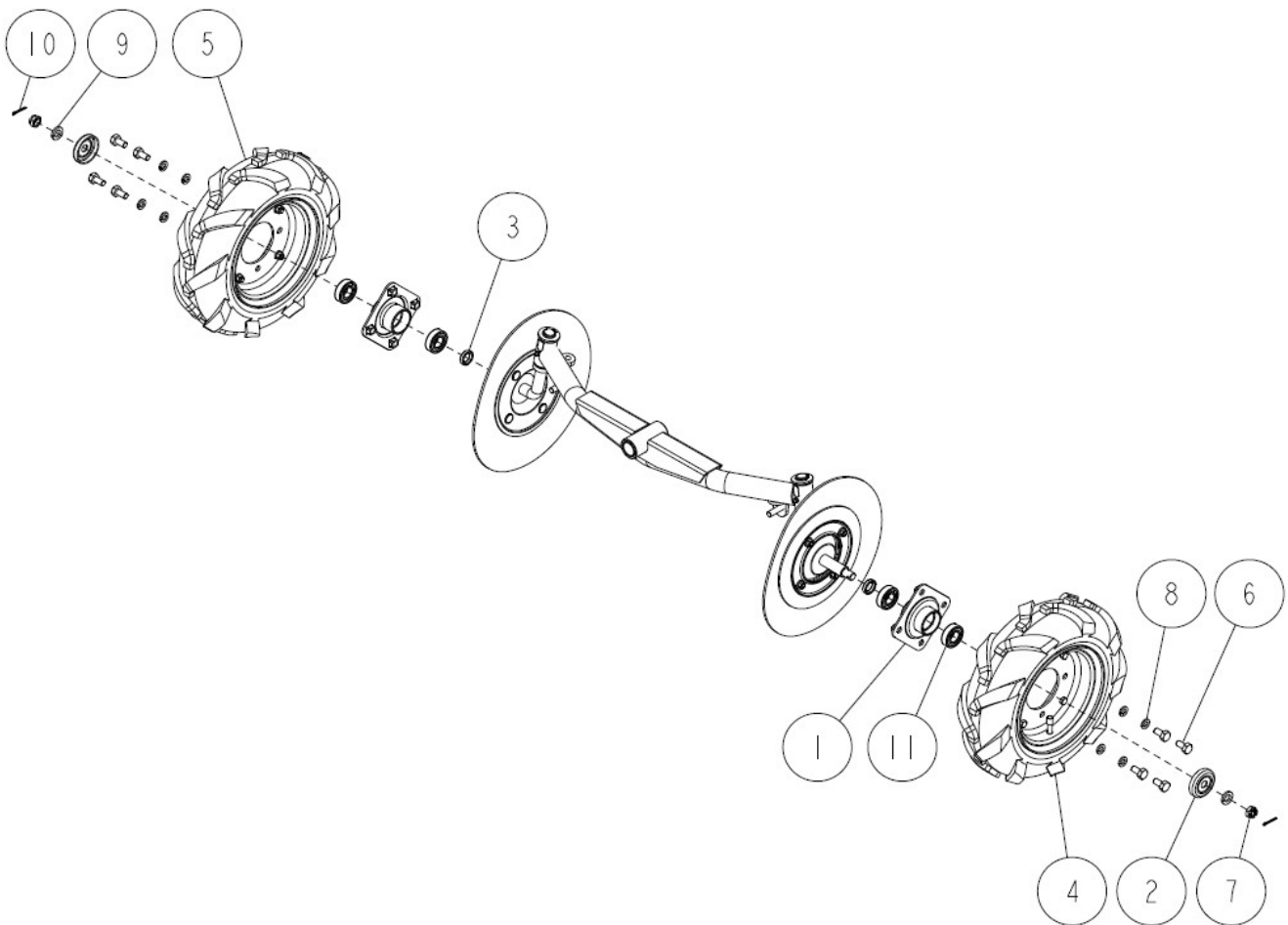
1	80-1481-324-20	Steering Lower Shaft	1	
2	80-1484-325-00	Steering Shaft Cover	1	
3	83-1020-363-00	Thrust Washer 16*24*1.0	1	
4	83-1493-149-00	Hexagonal Screw M8*10	1	
5	89-1113-060302	Hexagonal Bolt (8T) M6*30	1	
6	89-1553-060002	Bag Hexagonal U Nut M6	1	
7	89-1561-100002	Mini Hexagonal U Nut M10	1	
8	89-1713-100002	Flat Washer 10 (large)	1	
9	89-2150-050200	Key 5*20 (round)	1	
10	0262-10200	Steering Upper Shaft	1	
11	0262-70300	Sub Handle Assy	1	
12	0262-70400	Steering Wheel	1	
13	0262-70500	Steering Cap	1	
No.	Parts No.	Parts Name	Qty	Remarks



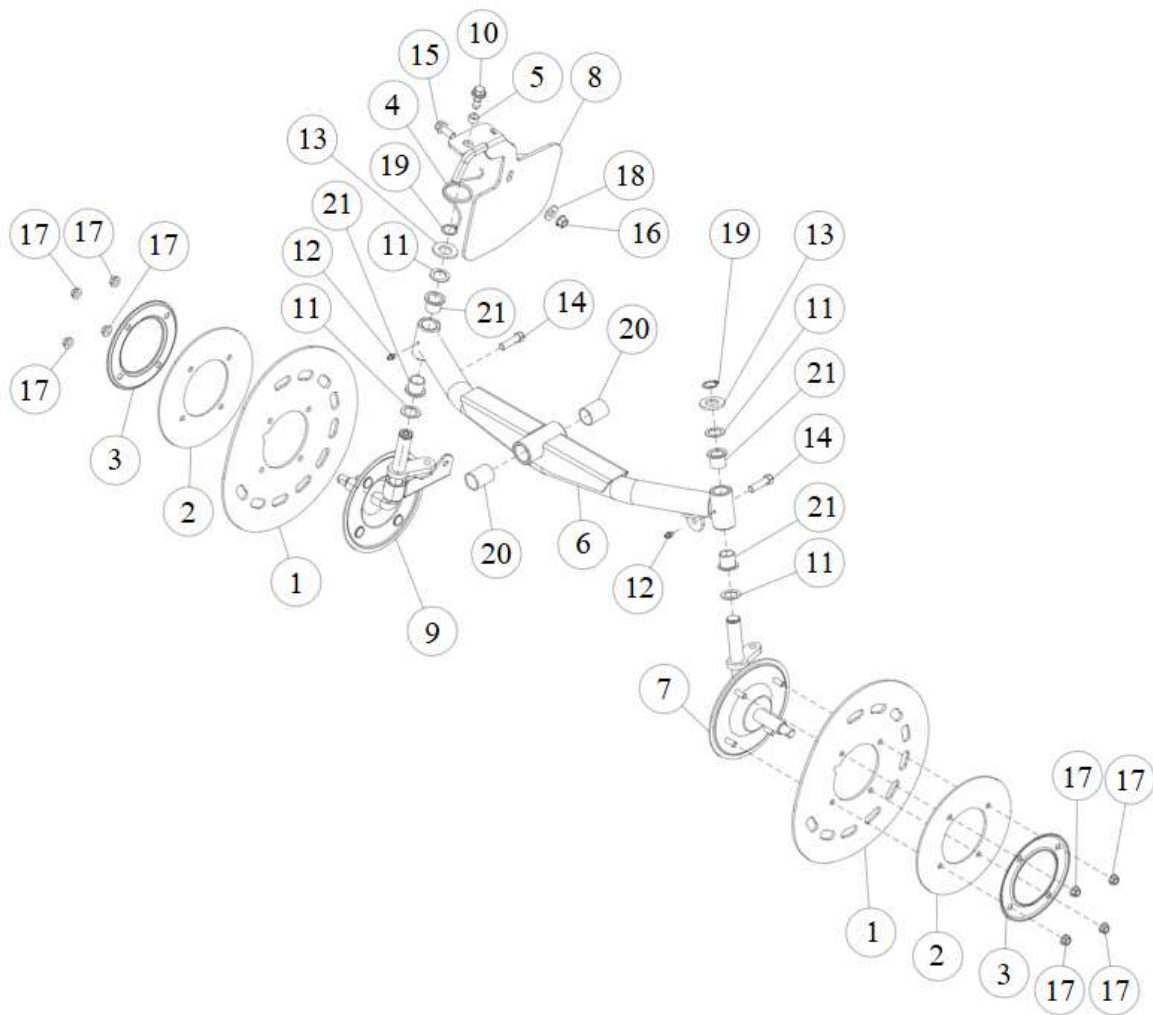
1	80-1016-461-00	Bearing Cover	1	
2	80-1020-719-00	Hexagonal Tap Tight M8*18	2	
3	80-1484-321-3H	Rack Support CMP (Metallic Grey)	1	
4	80-1484-327-2H	Steering Bracket (Metallic Grey)	1	
5	80-1484-329-10	Tie Rod Adjuster	2	
6	80-1484-962-10	Steering Gear Box Assy	1	
7	80-1490-967-00	Steering Boots	2	
8	80-1493-962-00	Link Ball LHSA 10DE21	2	
9	80-1493-963-00	Link Ball LHSA 10DLE21	2	※リンクボール左には首部にLの刻印有り
10	83-1493-195-00	Hexagonal Nut (slender) M10 Left	2	
11	83-1493-255-00	Flange Lock Nut M10 (slender)	4	
12	89-1254-100252	Flange Mini Hexagonal Bolt M10*25 P=1.25	2	
13	89-1612-100042	Mini Hexagonal Nut (Slender) M10	2	
14	89-1750-080002	Spring Washer 8	4	
15	0314-70100	Mini Hexagonal Bolt (Meck) M8*22	4	
No.	Parts No.	Parts Name	Qty	Remarks



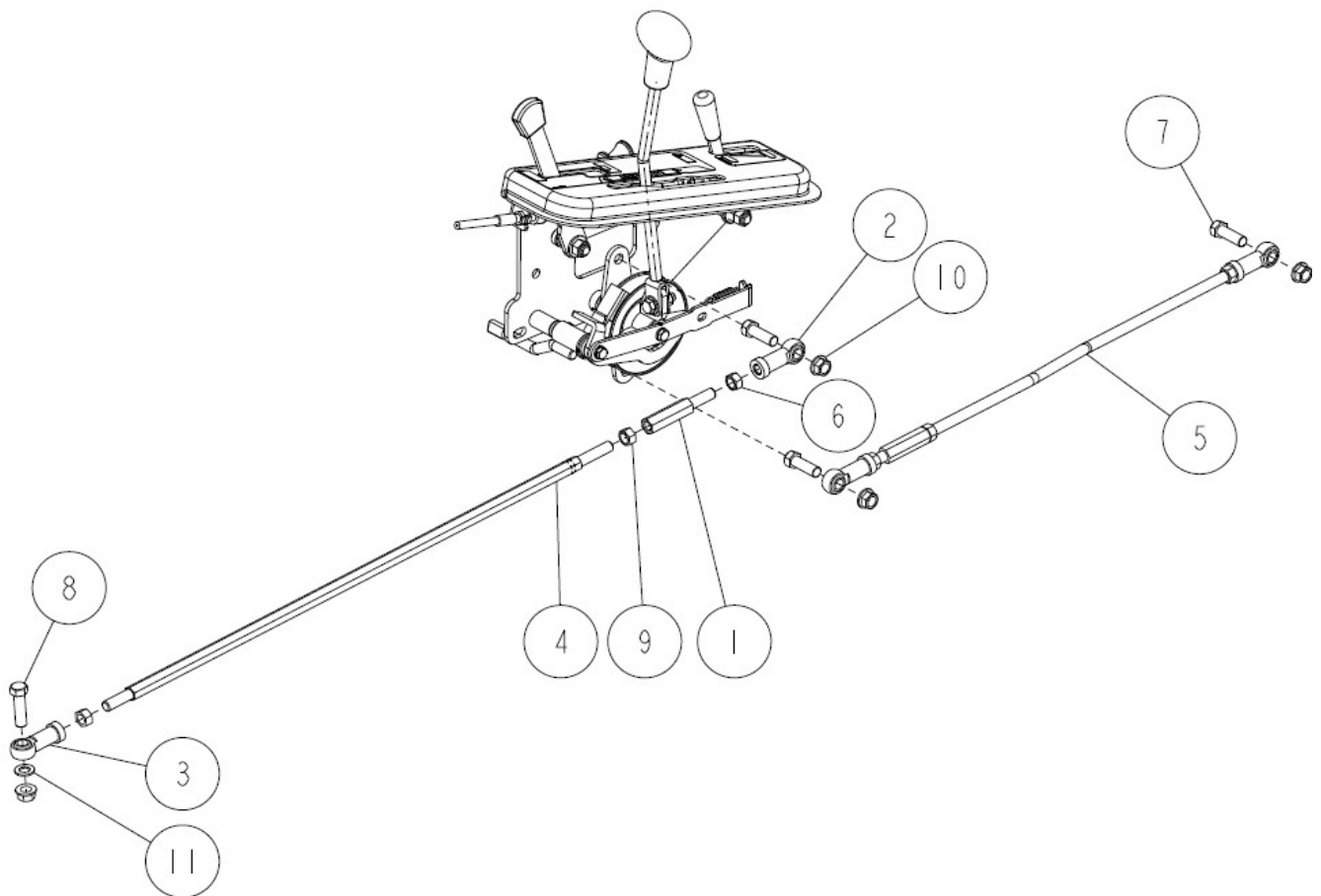
1	80-1417-785-0H	Supporter for Flapper (Metallic Grey)	1	
2	0310-3060H	Front Upper Guard CMP (Metallic Grey)	1	
3	0310-30700	Upper Flapper	1	
4	0310-3080H	Front Flapper Holder (Metallic Grey)	1	
5	0310-30900	Front Flapper	1	
6	0322-31500	Upper Flapper Holder (R)	1	
7	89-1137-060152	Hexagonal Bolt (PW) M6*15	9	
8	89-1137-060172	Hexagonal Bolt (PW) M6*17	2	
9	89-1581-060042	Flange Cap Nut M6	2	
10	89-1631-100042	Flange Mini Hexagonal Nut M10	2	
11	89-1713-060002	Flat Washer 6 (large)	2	
12	89-1713-100002	Flat Washer 10 (large)	2	
No.	Parts No.	Parts Name	Qty	Remarks



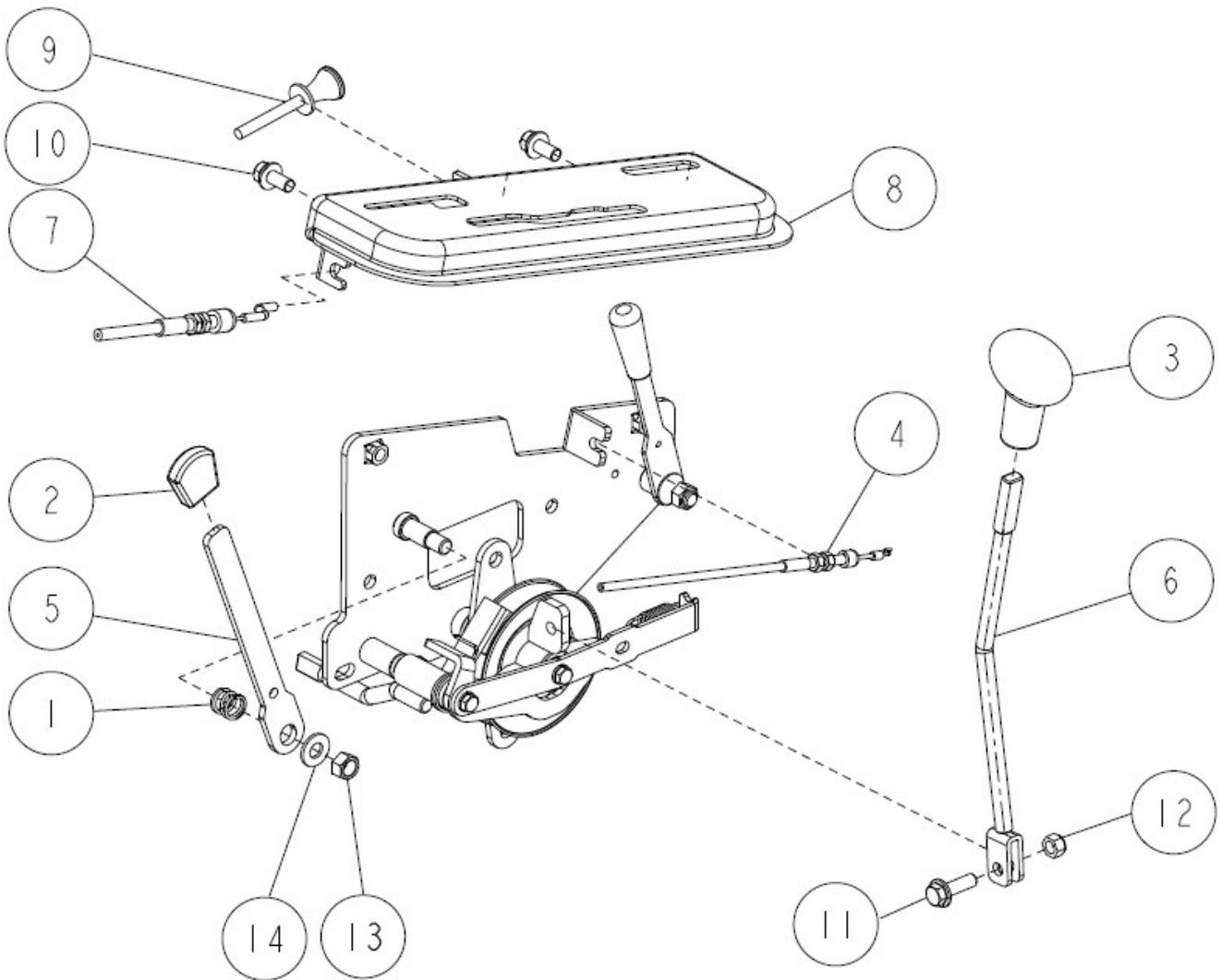
1	0207-30411	Front Wheel Boss CMP (White)	2	
2	0207-30500	Front Wheel Dust Cover	2	
3	0207-31100	King Pin Collar	2	
4	0322-34000	Tire Assy (L) 3.50-7 (TA)	1	
5	0322-35000	Tire Assy (R) 3.50-7 (TA)	1	
6	89-1113-100202	Hexagonal Bolt (8T) M10*20	8	
7	89-1668-140042	Mini Low Fluted Nut (2 sorts) M14	2	
8	89-1750-100002	Spring Washer 10	8	
9	89-1750-140002	Spring Washer 14	2	
10	89-2120-250252	Split Pin 2.5*25	2	
11	0342-77700	Bearing 6004 2NSE-NB	4	
12	89-1543-080002	Mini Hexagonal Nut (SW) M8	※4	補修用部品情報
13	89-1211-080162	Mini Hexagonal Bolt M8*16	※4	補修用部品情報
14	0322-32100	Tire 3.50-7 (TA)	※1	補修用部品情報
15	80-1260-407-00	Wheel Assy 3.50-7	※1	補修用部品情報
16	80-1711-404-00	Tire Tube (3.50/4.00-7)	※1	補修用部品情報
No.	Parts No.	Parts Name	Qty	Remarks



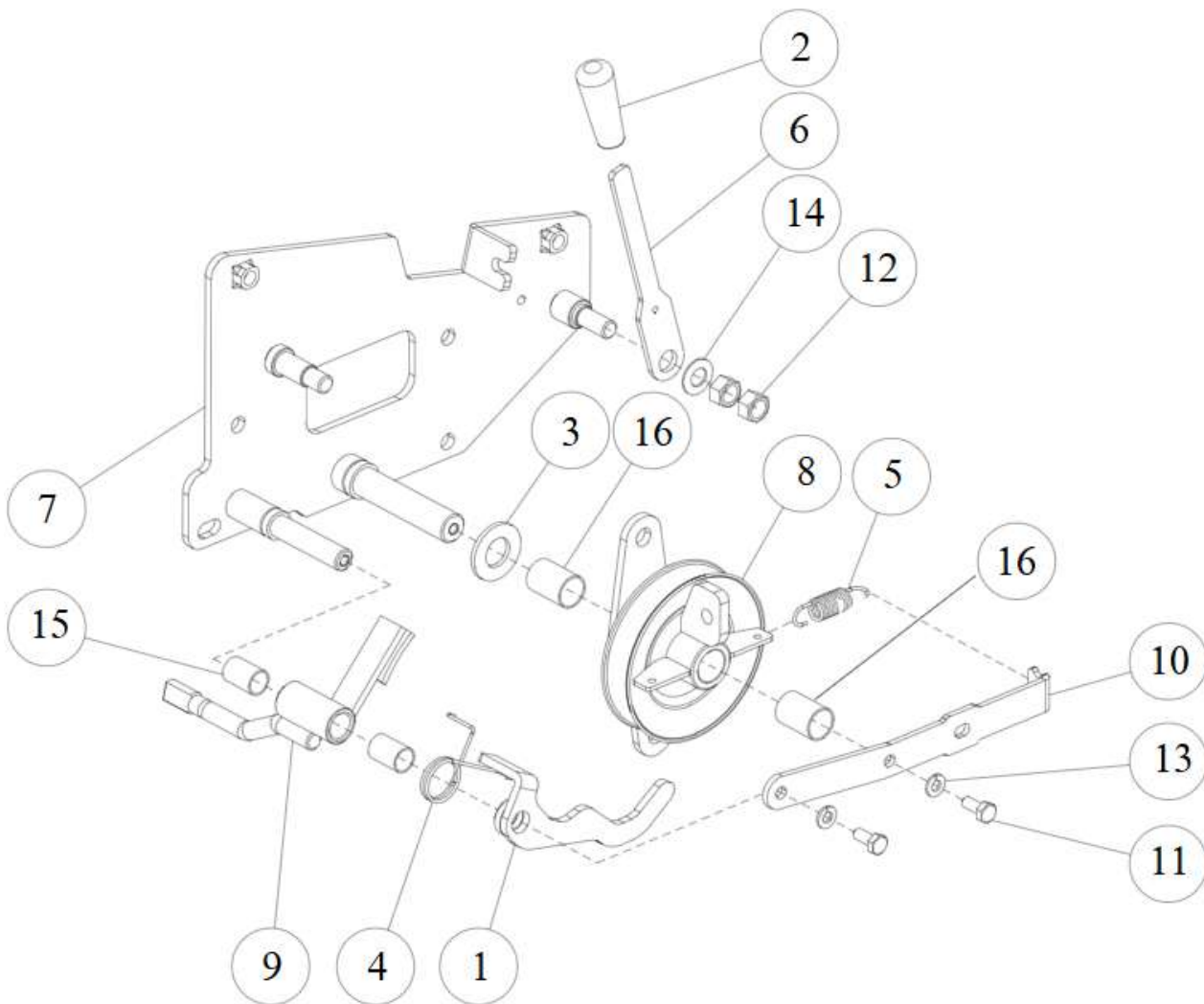
1	0207-30600	Front Wheel Rubber Cover	2	
2	0207-30800	Front Wheel Rubber Cover (IN) for 7inch	2	
3	0207-30900	Front Wheel Rubber Cover Support	2	
4	0259-30500	Protector Return Spring	1	
5	0259-30600	Protector Collar	1	
6	0284-3010H	Front Axle CMP (Metallic Grey)	1	
7	0284-3031H	King Pin (L) CMP (RM60G) (Metallic Grey)	1	
8	0310-3030H	Scatter Guard CMP (Metallic Grey)	1	
9	0310-3120H	King Pin for Scattering Guard (Metallic Grey)	1	
10	0312-74300	Hexagonal Bolt (7T-SW.PW) M10*30 (Meck)	1	
11	83-1310-371-00	Thrust Washer 20*30*1.0	4	
12	83-1415-975-00	Grease Nipple M6	2	
13	83-1490-337-00	Washer 20*38*3.2	2	
14	89-1213-100352	Mini Hexagonal Bolt (8T) M10*35	2	
15	89-1232-100252	Mini Hexagonal Bolt (SW) M10*25	1	
16	89-1543-100002	Mini Hexagonal Nut (SW) M10	1	
17	89-1631-080042	Flange Mini Hexagonal Nut M8	8	
18	89-1713-100002	Flat Washer 10 (large)	1	
19	89-2511-000200	Snap Ring (S20)	2	
20	89-3510-025350	DU Bush 25.35	2	
21	89-3511-020200	DU Bush 20.20.31F	4	
No.	Parts No.	Parts Name	Qty	Remarks



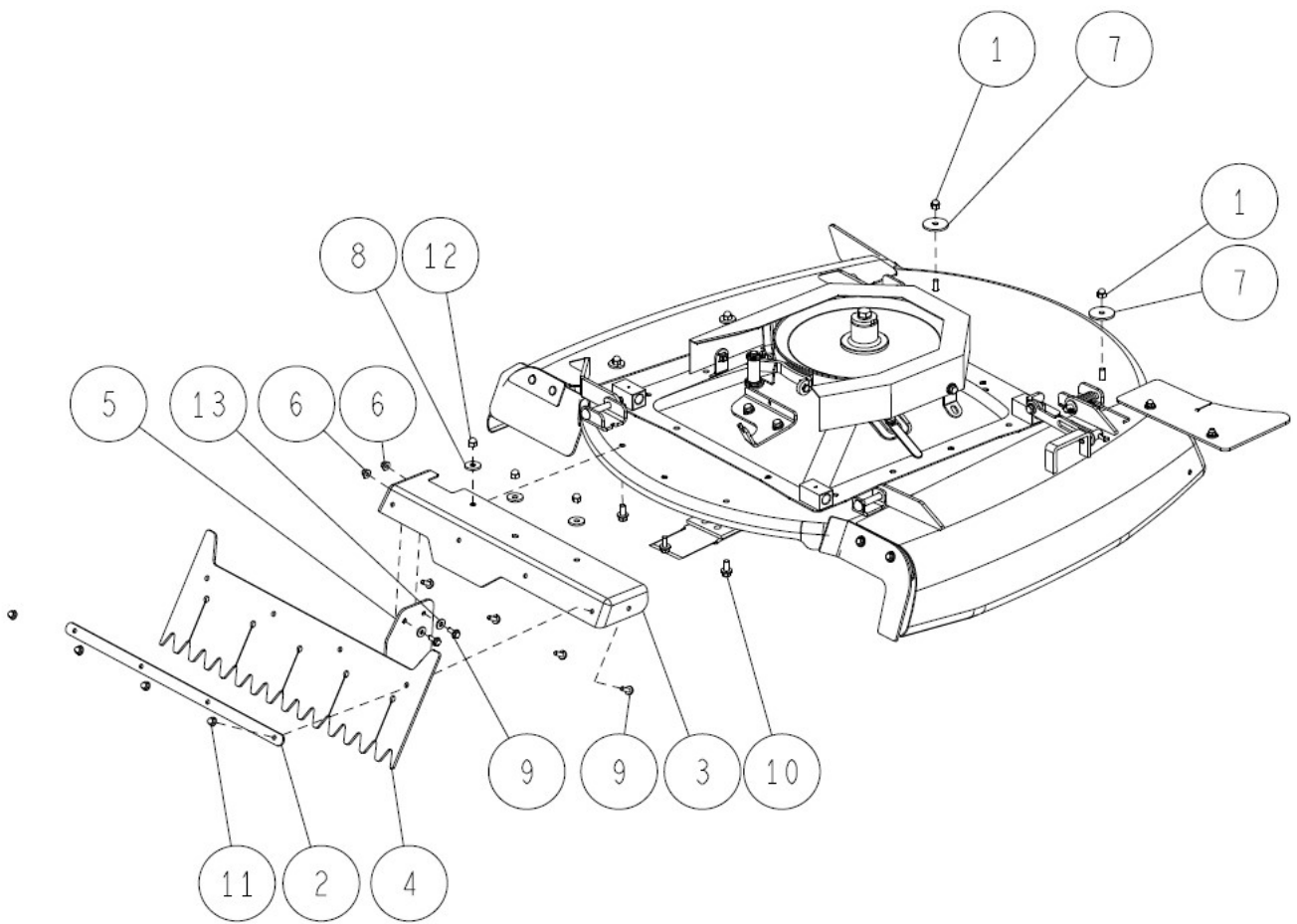
1	80-1485-265-00	Shift Rod Adjuster	1	
2	80-1487-962-10	Rod End PHS10ECL	1	
3	80-1487-964-10	Rod End PHS10EC	1	
4	0215-10110	Shift Rod	1	
5	0221-12300	Pedal Rod	1	OR•IA
6	83-1488-195-02	Mini Hexagonal Nut M10 (L)	1	
7	89-1213-100302	Mini Hexagonal Bolt (8T) M10*30	3	
8	89-1213-100357	Mini Hexagonal Bolt (8T) M10*35	1	
9	89-1611-100042	Mini Hexagonal Nut M10	2	
10	89-1631-100042	Flange Mini Hexagonal Nut M10	4	
11	89-1711-100002	Flat Washer 10*18*1.6	1	
No.	Parts No.	Parts Name	Qty	Remarks



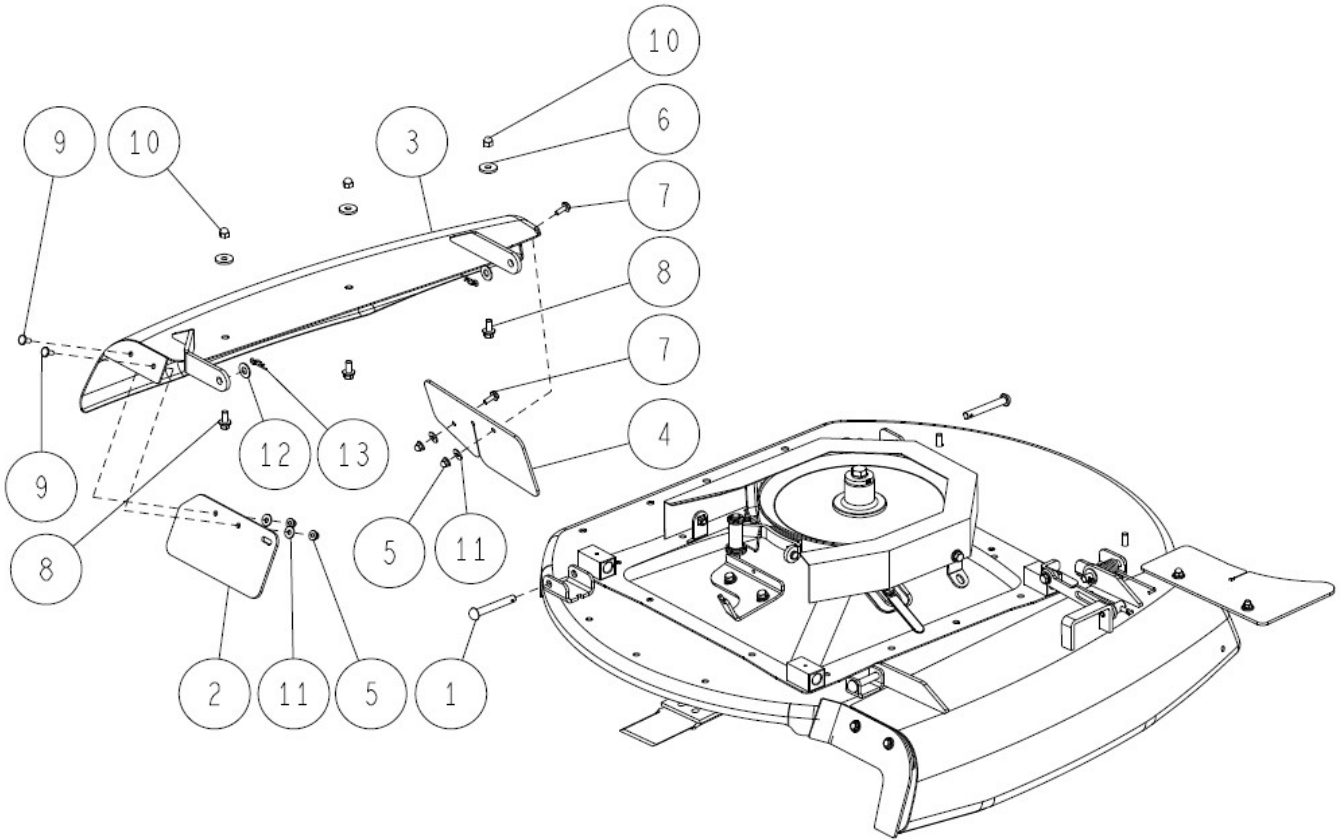
1	80-1020-263-00	Control Lever Shaft Spring	1	
2	0215-70600	Lever Grip (Red)	1	
3	0221-13200	Change Grip	1	
4	0244-72100	Throttle Wire (B)	1	
5	0284-10500	Differential Lock Lever CMP	1	
6	0284-10600	Change Lever CMP	1	
7	0284-71200	Differential Lock Wire	1	
8	0308-10301	Control Guide CMP (White)	1	IA
	0308-1030G	Control Guide CMP (Green)	1	OR
	0284-1010H	Control Guide CMP (Metallic Grey)	1	YB
9	83-1483-957-00	Choke Wire	1	
10	89-1233-080202	Mini Hexagonal Bolt (PWSW) M8*20	2	
11	89-1253-080252	Flange Mini Hexagonal Bolt (8T) M8*25	1	
12	89-1561-080002	Mini Hexagonal U Nut M8	1	
13	89-1561-100002	Mini Hexagonal U Nut M10	1	
14	89-1712-100002	Flat Washer 10*21*2.1	1	
No.	Parts No.	Parts Name	Qty	Remarks



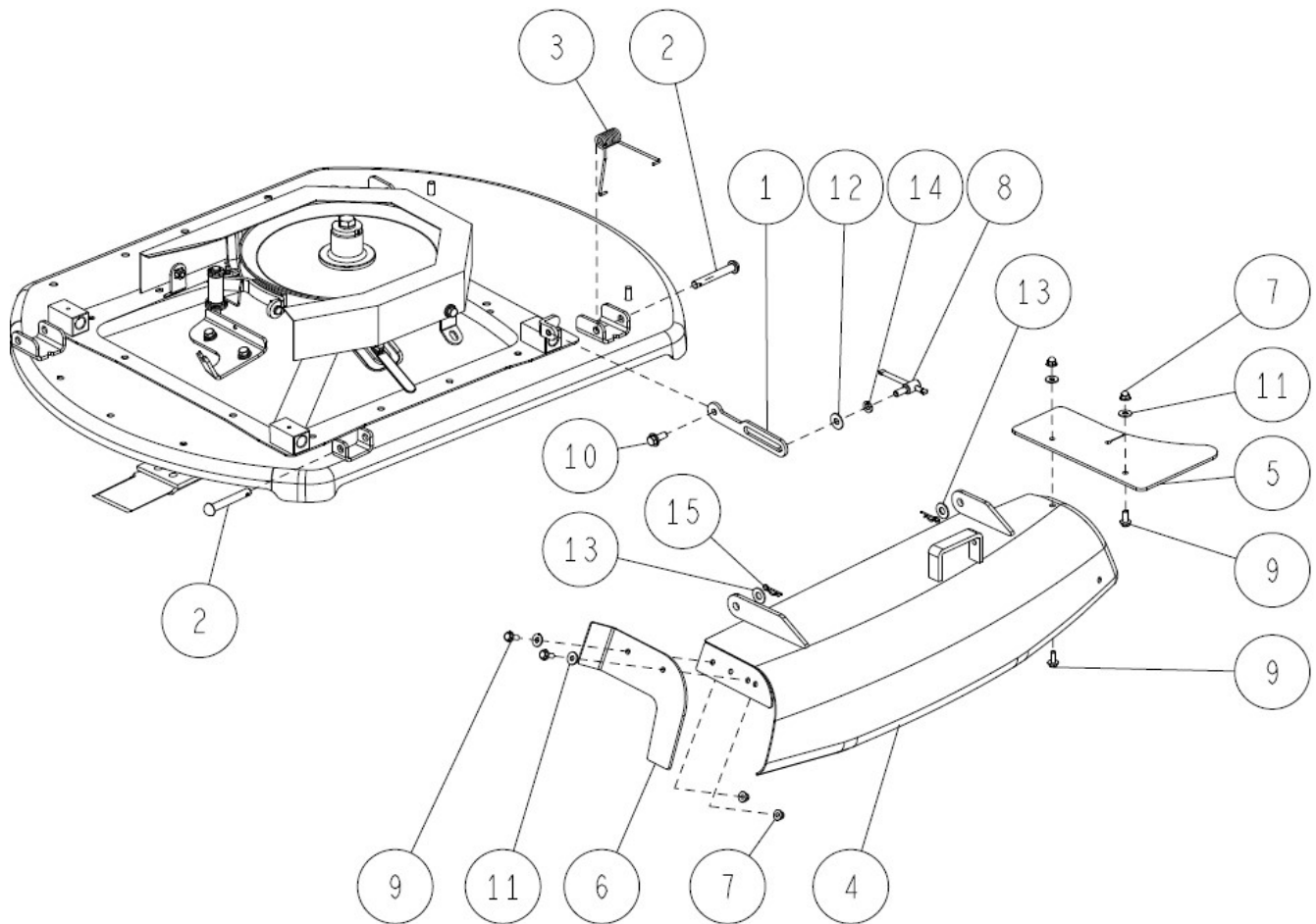
1	0207-1340H	Change Return Arm (Metallic Grey)	1	
2	0207-72600	Lever Grip 8 (Black)	1	
3	0207-76800	Washer 16*32*2.3	1	
4	0207-79100	Spring For Change Return Arm	1	
5	0229-71800	Center Spring	1	OR·IA
6	0244-12500	Throttle Lever	1	
7	0284-1110H	Change Bracket CMP (Metallic Grey)	1	YB
	0308-1010H	Change Bracket CMP (Metallic Grey)	1	OR·IA
8	0207-1131H	Change Boss CMP (Metallic Grey)	1	YB
	0308-1020H	Change Boss (Metallic Grey)	1	OR·IA
9	0207-1140H	Change Brake (Metallic Grey)	1	YB
	0308-1040H	Change Brake CMP (Metallic Grey)	1	OR·IA
10	0207-1161H	Change Beam (Metallic Grey)	1	YB
	0308-1050H	Return Spring Stay (Metallic Grey)	1	OR·IA
11	89-1111-060142	Hexagonal Bolt M6*14	2	
12	89-1611-100042	Mini Hexagonal Nut M10	2	
13	89-1750-060002	Spring Washer 6	2	
14	89-1852-100001	Belleville Spring H10	1	
15	89-3510-012200	DU Bush 12.20	2	
16	89-3510-016250	DU Bush 16.25	2	
No.	Parts No.	Parts Name	Qty	Remarks



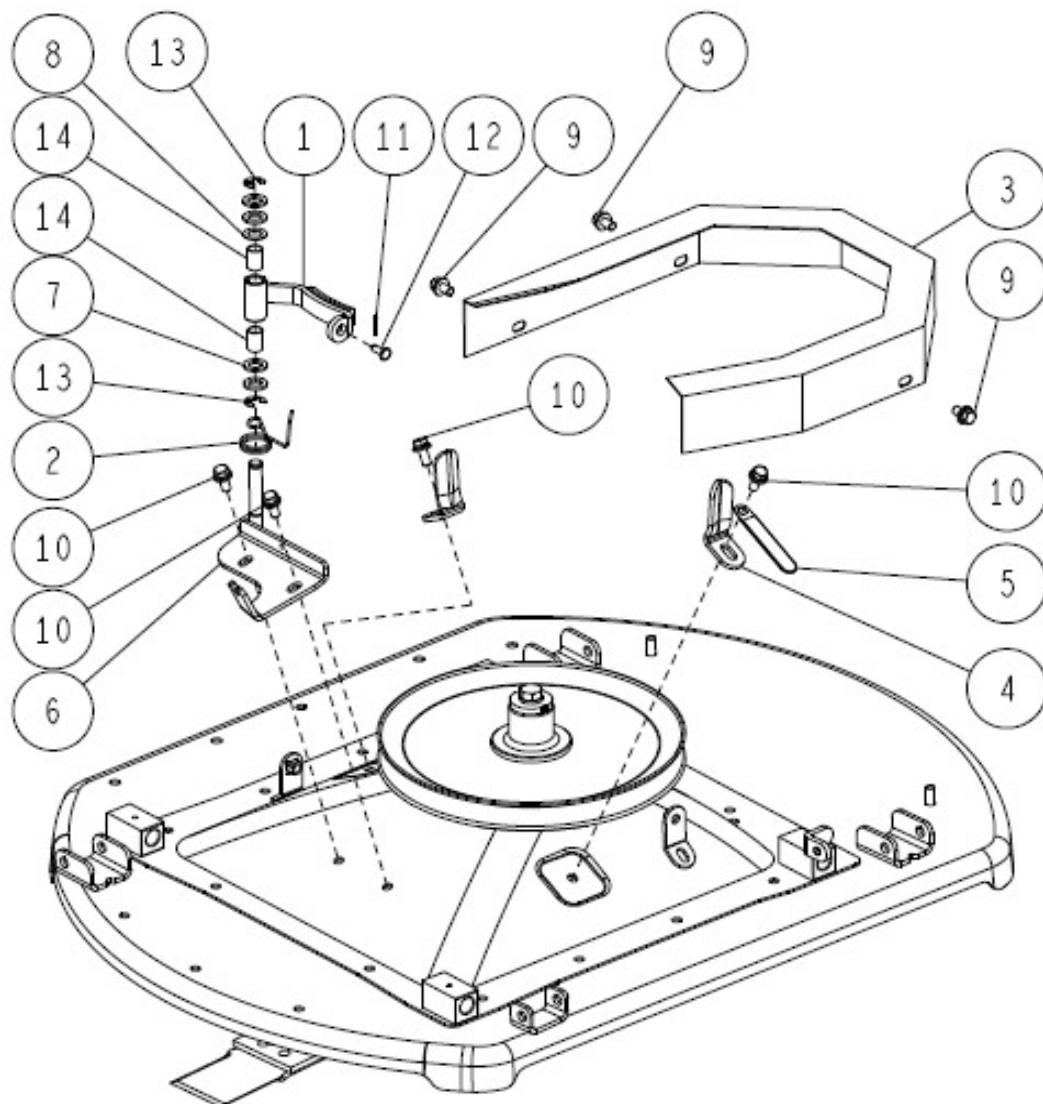
1	0208-31000	Mini Hexagonal U Cap Nut M8 (Meck)	2	
2	0244-6140H	Rear Guard Flapper Holder (Metallic Grey)	1	
3	0284-5020H	Rear Guard (Metallic Grey)	1	
4	0284-50300	Rear Flapper	1	
5	0312-50700	Side Rear Flapper (L)	1	
6	0312-77500	Flange Cap Nut M6 (Meck)	2	
7	83-1020-314-00	Washer 8*40*2.3	2	
8	83-1751-312-00	Washer 8*25*3.2	3	
9	89-1137-060172	Hexagonal Bolt (PW) M6*17	6	
10	89-1233-080202	Mini Hexagonal Bolt (PWSW) M8*20	3	
11	89-1581-060042	Flange Cap Nut M6	4	
12	89-1671-080042	Mini Cap Nut M8	3	
13	89-1713-060002	Flat Washer 6 (large)	2	
No.	Parts No.	Parts Name	Qty	Remarks



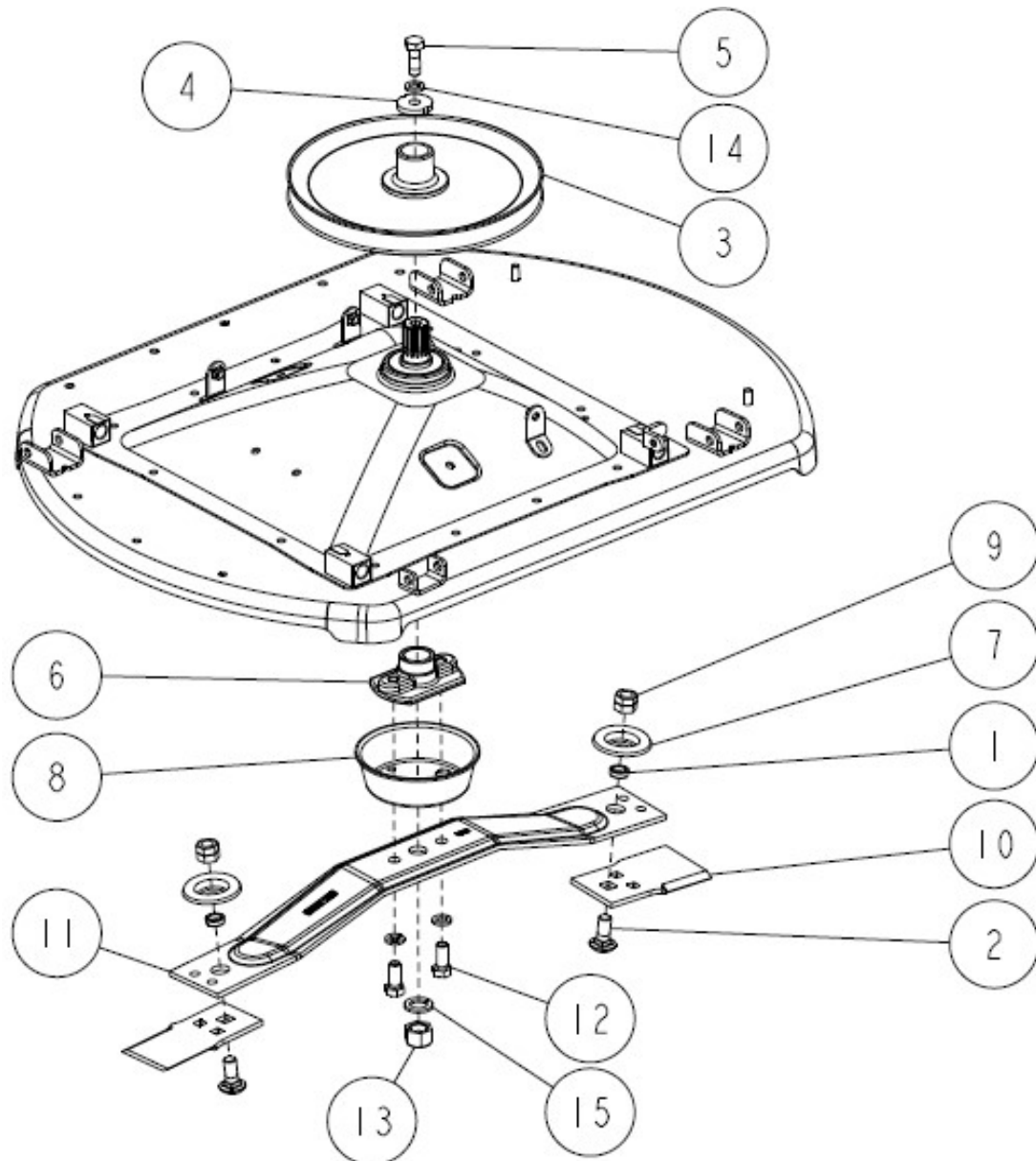
1	89-2191-100720	Round Head Pin 10*72	2	
2	0255-60800	Rear Side Flapper (Left A)	1	
3	0284-5110H	Left Cover CMP (Metallic Grey)	1	
4	0284-51300	Side Flapper (Front Left 88)	1	
5	0312-77500	Flange Cap Nut M6 (Meck)	4	
6	83-1751-312-00	Washer 8*25*3.2	3	
7	89-1137-060172	Hexagonal Bolt (PW) M6*17	2	
8	89-1233-080202	Mini Hexagonal Bolt (PWSW) M8*20	3	
9	89-1390-060142	Welded Bolt M6*14	2	
10	89-1671-080042	Mini Cap Nut M8	3	
11	89-1713-060002	Flat Washer 6 (large)	4	
12	89-1714-100002	Flat Washer 10	2	
13	89-2131-100002	Snap Pin 10	2	
No.	Parts No.	Parts Name	Qty	Remarks



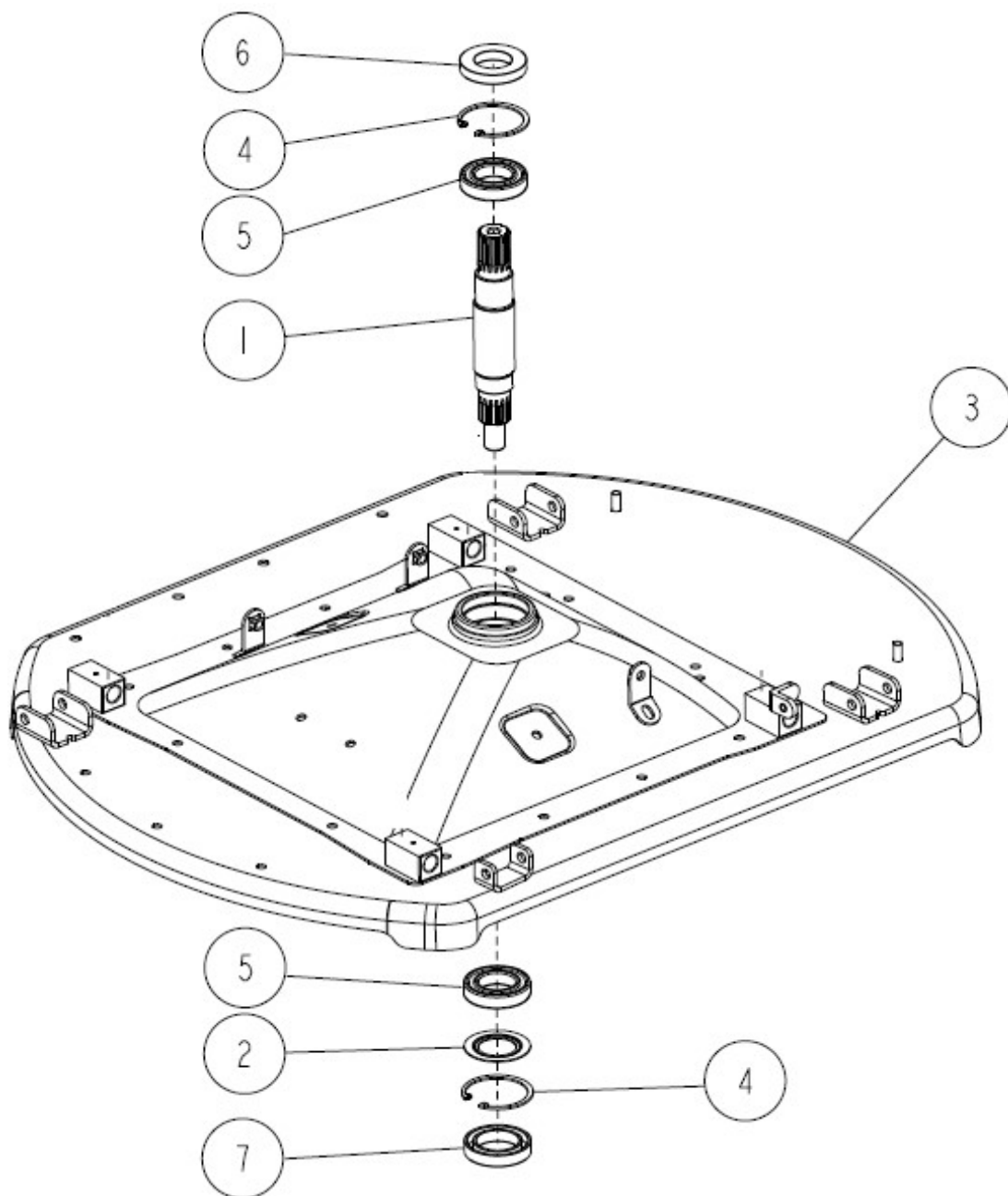
1	0221-52400	Right Cover Up/Down Arm	1	
2	89-2191-100720	Round Head Pin 10*72	2	
3	0244-71600	Spring for Right Cover	1	
4	0284-5120H	Right Cover CMP (Metallic Grey)	1	
5	0284-51500	Side Flapper (Front Right 88)	1	
6	0284-51600	Side Flapper (Rear Right 88)	1	
7	0312-77500	Flange Cap Nut M6 (Meck)	4	
8	83-1210-484-00	Free Handle M8*20	1	
9	89-1137-060172	Hexagonal Bolt (PW) M6*17	4	
10	89-1253-080202	Flange Mini Hexagonal Bolt (8T) M8*20	1	
11	89-1713-060002	Flat Washer 6 (large)	4	
12	89-1713-080002	Flat Washer 8 (large)	1	
13	89-1714-100002	Flat Washer 10	2	
14	89-1750-080002	Spring Washer 8	1	
15	89-2131-100002	Snap Pin 10	2	
No.	Parts No.	Parts Name	Qty	Remarks



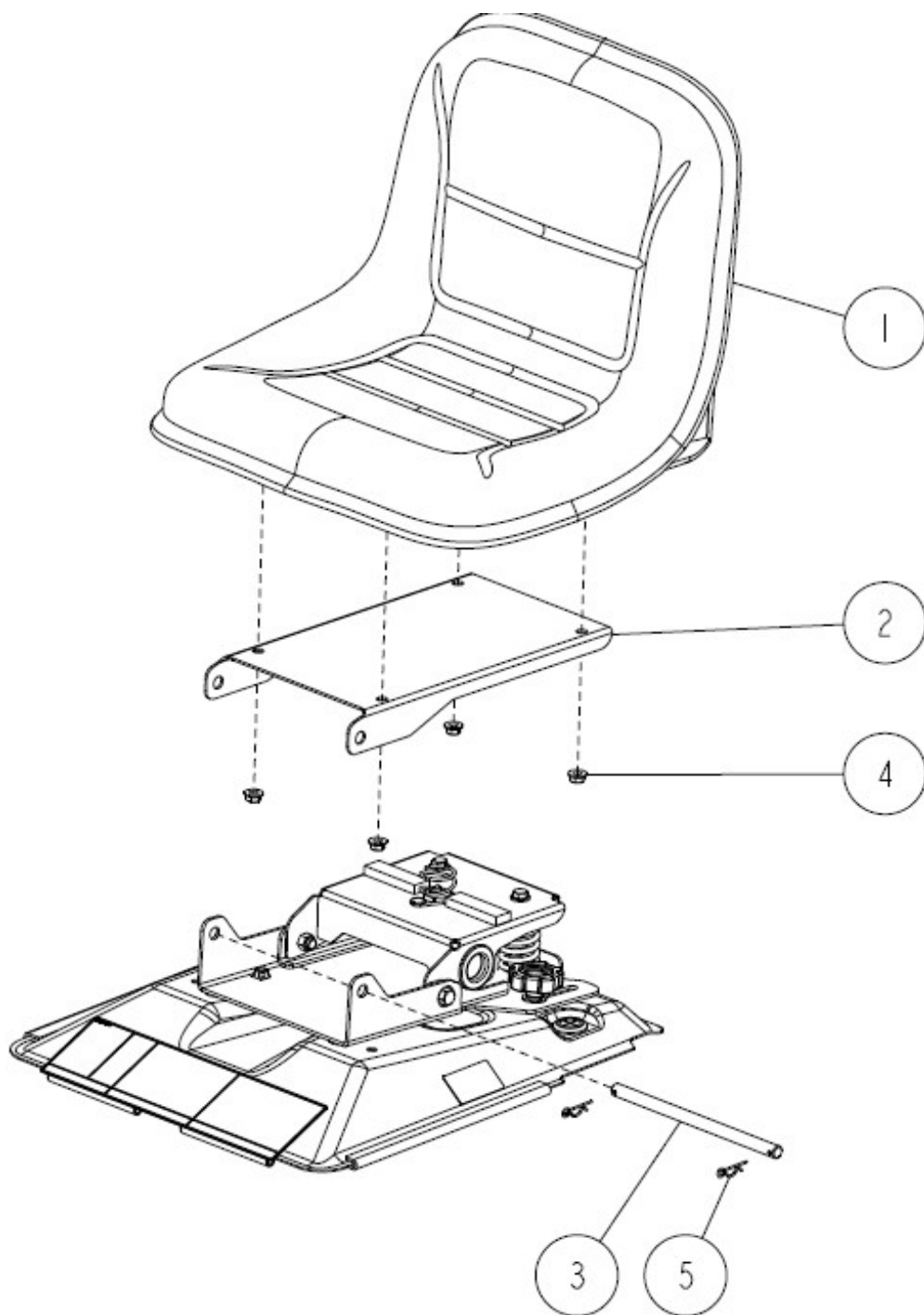
1	80-1482-371-3H	Knife Brake (6t) (Metallic Grey)	1	
2	80-1482-373-00	Brake Return Spring	1	
3	80-1484-501-3H	Knife Belt Cover CMP (Metallic Grey)	1	
4	80-1484-617-0H	Knife Pulley Belt Holder (Metallic Grey)	2	
5	80-1792-988-00	Harness Clip 8	1	
6	0207-5212H	Knife Brake Bracket CMP (NEW) (Metallic Grey)	1	
7	83-1565-329-02	Washer 13*22*2.3	4	
8	83-1754-329-00	Washer 13*22*1.0	1	高さ調節の為、個数が変動する
9	89-1233-080162	Mini Hexagonal Bolt (PWSW) M8*16	3	
10	89-1233-080202	Mini Hexagonal Bolt (PWSW) M8*20	4	
11	89-2120-200152	Split Pin 2*15	1	
12	89-2181-060162	Flat Head Pin 6*16	1	
13	89-2521-000100	E Type Ring 10	2	
14	89-3510-012200	DU Bush 12.20	2	
No.	Parts No.	Parts Name	Qty	Remarks



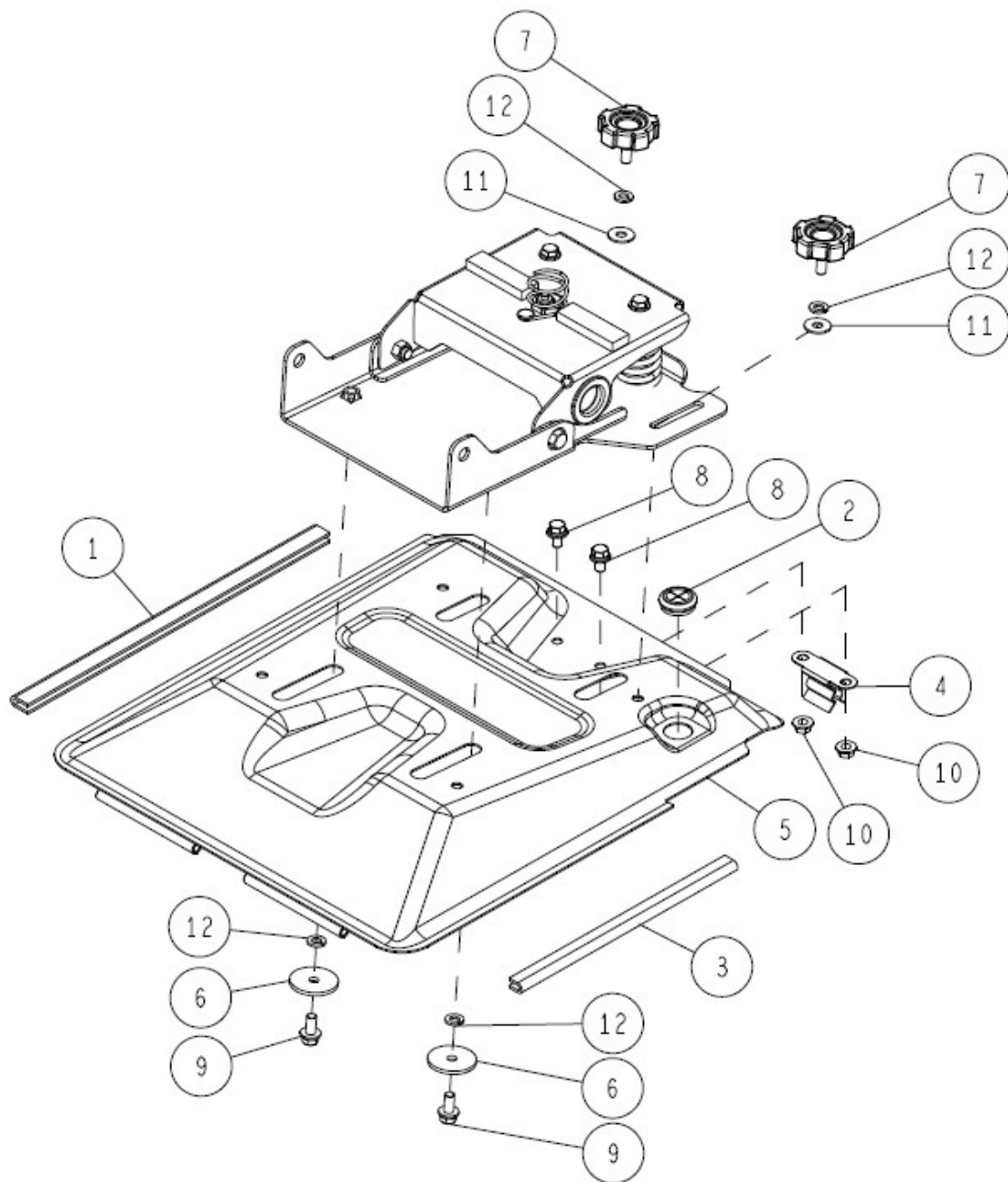
1	80-1483-818-00	Knife Collar	2	
2	0207-50200	Knife Setting Bolt M14*34	2	
3	0207-5040H	Knife Pulley CMP (Metallic Grey)	1	
4	0221-76100	Washer 12*40*6	1	
5	0221-76200	Mini Hexagonal Bolt (8T) M12*35	1	
6	0238-5110H	Knife Bracket (Metallic Grey)	1	
7	0244-51800	Nut Guard 14	2	
8	0244-5210H	Knife Neck Guard (Metallic Grey)	1	
9	0244-74600	Hard Lock Nut M14	2	
10	0244-89100	Blade RM85	2	
11	0316-51100	Knife Stay (RM83G)	1	
12	83-1483-129-00	Mini Hexagonal Bolt (8T) M12*30	2	
13	83-1483-175-00	Bag Nut M20 (Lock)	1	
14	89-1750-120002	Spring Washer 12	3	
15	89-1750-200002	Spring Washer 20	1	
No.	Parts No.	Parts Name	Qty	Remarks



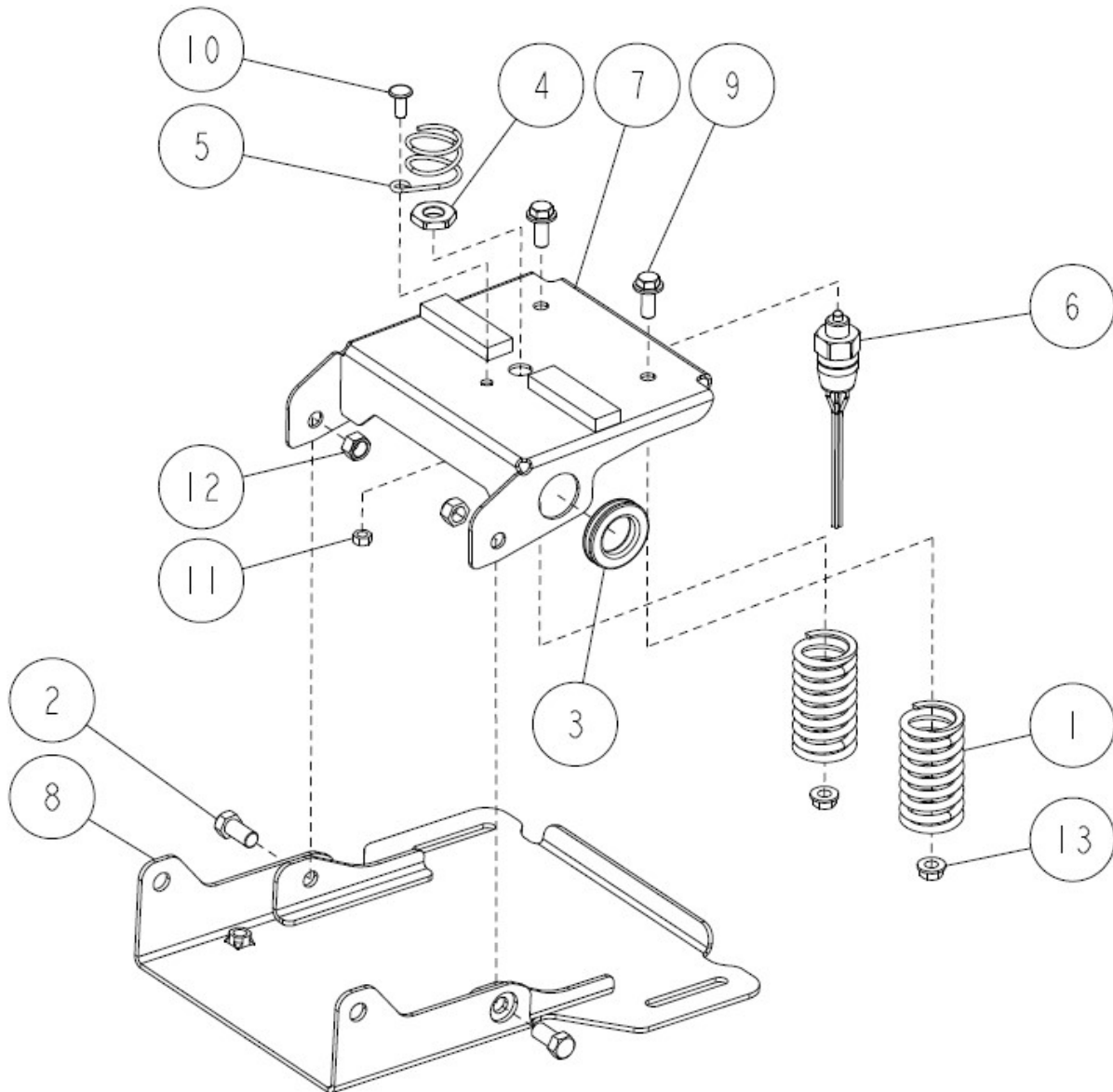
1	80-1493-641-00	Vertical Shaft	1	
2	0262-50100	Dust Plate	1	
3	0284-5010H	Safety Cover CMP (Metallic Grey)	1	
4	89-2512-000620	Snap Ring (R62)	2	
5	89-3115-060074	Bearing 6007 2RS	2	
6	89-5121-356210	Oil Seal UE 35.62.10	1	
7	89-5121-406212	Oil Seal UE 40.62.12	1	
No.	Parts No.	Parts Name	Qty	Remarks



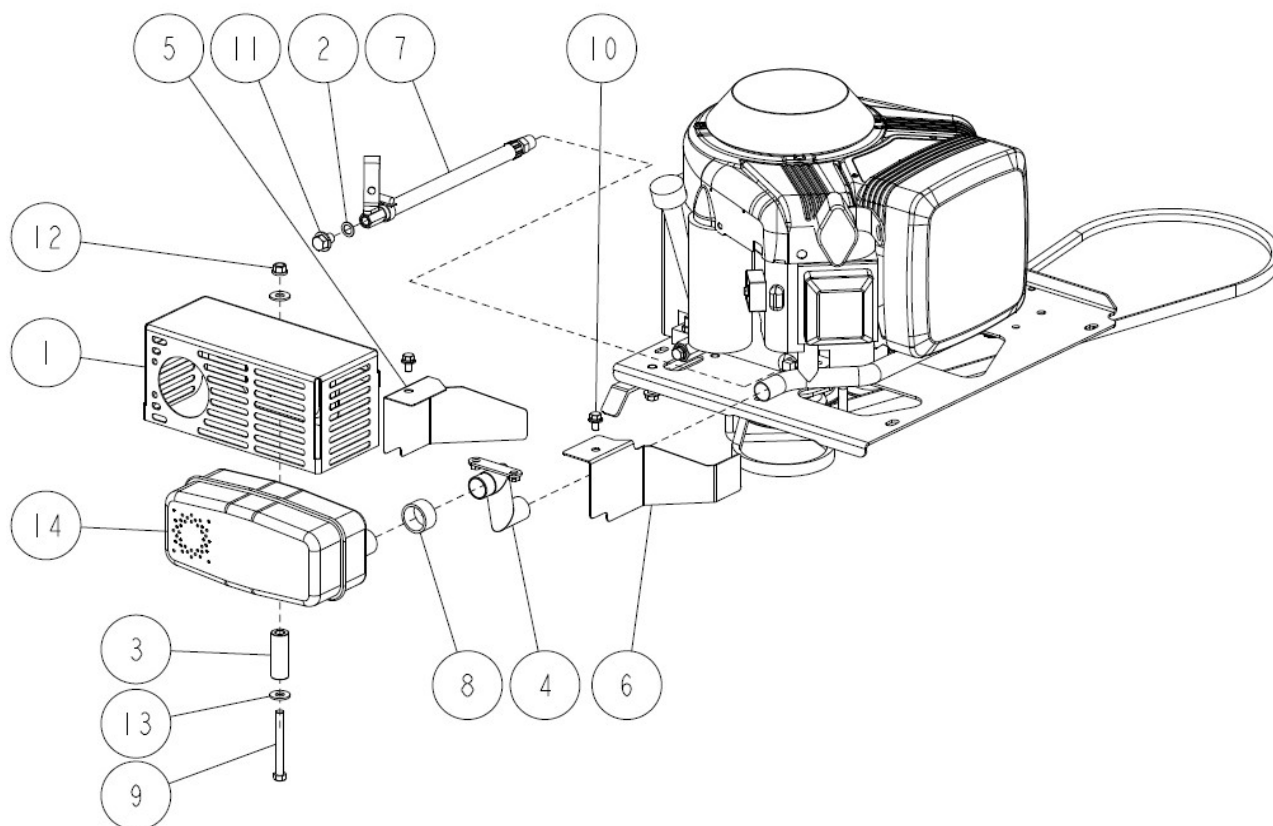
1	0310-77500	Seat (SG)	1	YB·IA
1	0310-77400	Seat (SG) (OR)	1	OR
2	0316-21301	Seat Receiver (White)	1	IA
2	0316-2130H	Seat Receiver (Metallic Grey)	1	YB
2	0316-2130G	Seat Receiver (Green)	1	OR
3	0316-21400	Seat Receive Pin (210L)	1	
4	89-1631-080042	Flange Mini Hexagonal Nut M8	4	
5	89-2131-120002	Snap Pin 12	2	
No.	Parts No.	Parts Name	Qty	Remarks



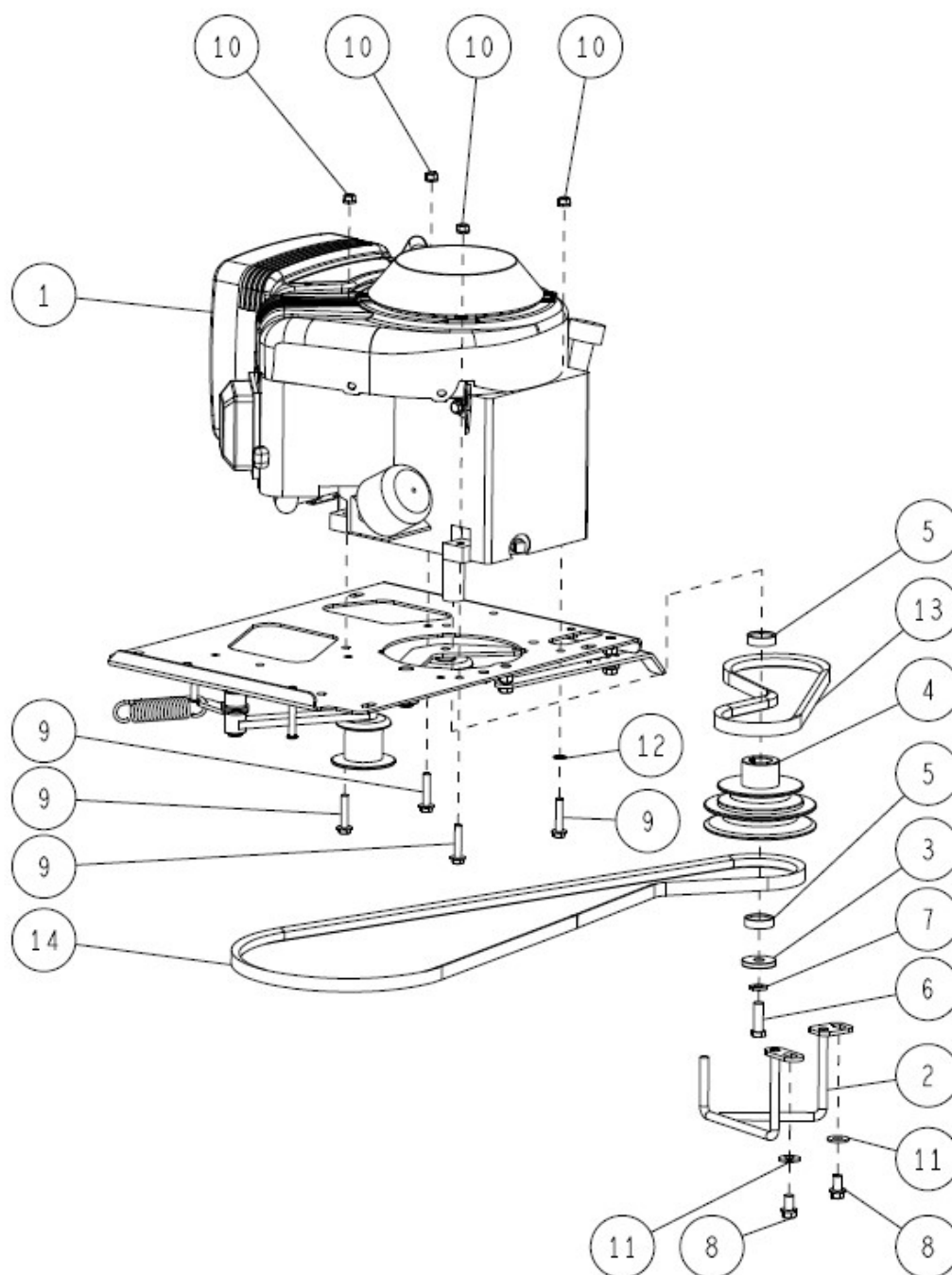
1	0207-76100	Trim 15*350	1	
2	0244-73700	Grommet 24	1	
3	0284-72200	Seat Trim (L) 15 × L250	1	
4	0312-70700	Bonnet Clip	1	
5	0316-21501	Seat Bracket CMP (White)	1	IA
5	0316-2150H	Seat Bracket CMP (Metallic Grey)	1	YB
5	0316-2150G	Seat Bracket CMP (Green)	1	OR
6	83-1020-314-00	Washer 8*40*2.3	2	
7	83-1560-101-00	Knob Bolt M8*15	2	
8	89-1233-080162	Mini Hexagonal Bolt (PWSW) M8*16	2	
9	89-1233-080202	Mini Hexagonal Bolt (PWSW) M8*20	2	
10	89-1631-080042	Flange Mini Hexagonal Nut M8	2	
11	89-1713-080002	Flat Washer 8 (large)	2	
12	89-1750-080002	Spring Washer 8	4	
No.	Parts No.	Parts Name	Qty	Remarks



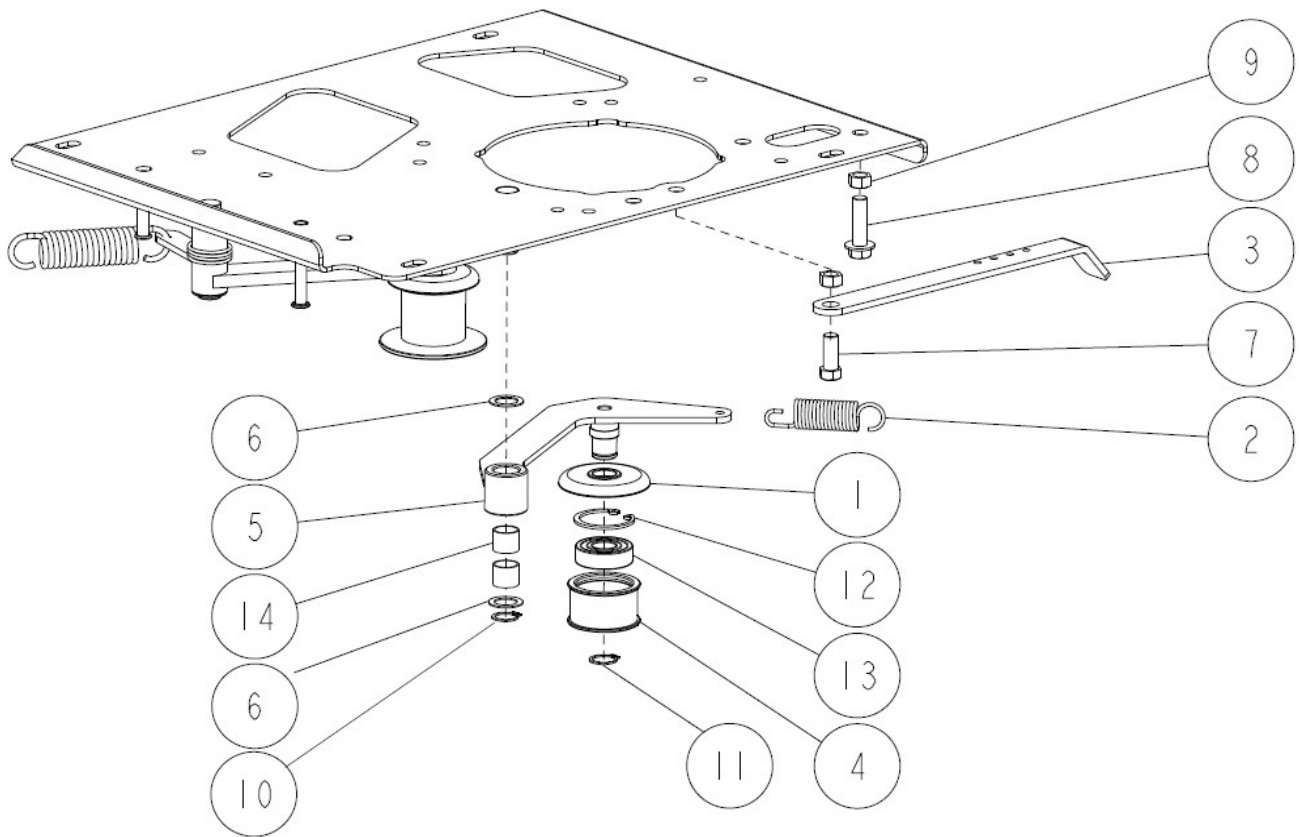
1	80-1484-494-10	Seat Spring $\phi 33$	2	
2	0004-80400	Fitting Bolt M10*20	2	
3	0207-70900	Grommet 30-3.2 (KG-G79QB)	1	
4	0207-72800	Switch Lock Nut	1	
5	0207-72900	Seat Switch Spring	1	
6	0207-74400	Safety Switch K17850	1	
7	0316-21101	Seat Switch Bracket CMP (White)	1	IA
7	0316-2110H	Seat Switch Bracket CMP (Metallic Grey)	1	YB
7	0316-2110G	Seat Switch Bracket CMP (Green)	1	OR
8	0316-21201	Seat Base CMP (White)	1	IA
8	0316-2120H	Seat Base CMP (Metallic Grey)	1	YB
8	0316-2120G	Seat Base CMP (Green)	1	OR
9	89-1253-080202	Flange Mini Hexagonal Bolt (8T) M8*20	2	
10	89-1390-060162	Welded Bolt M6*16	1	
11	89-1511-060042	Hexagonal Nut M6	1	
12	89-1561-100002	Mini Hexagonal U Nut M10	2	
13	89-1631-080042	Flange Mini Hexagonal Nut M8	2	
No.	Parts No.	Parts Name	Qty	Remarks



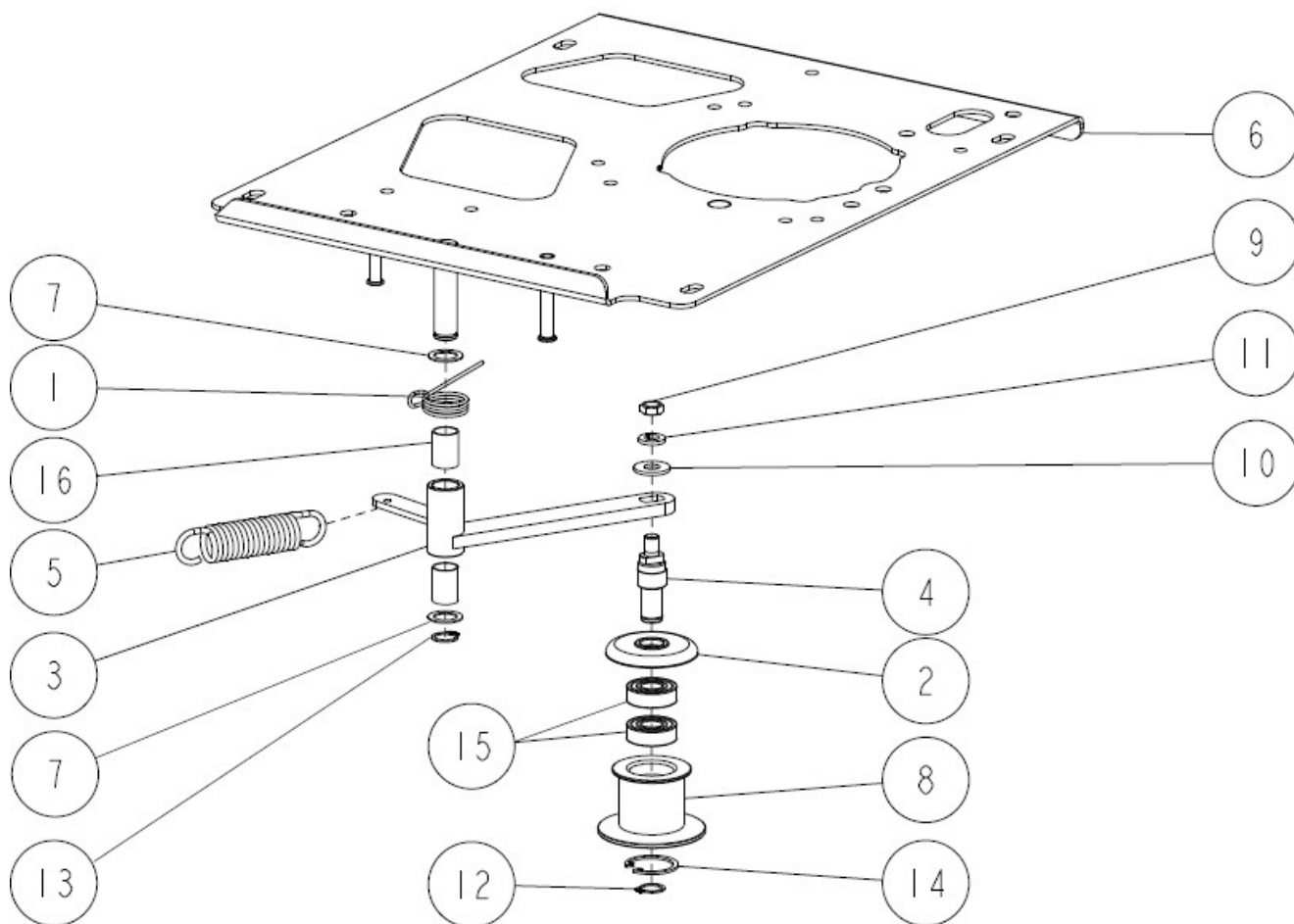
1	0207-40500	Muffler Cover CMP	1	
2	0207-74900	Copper Packing 12.5*19*1.0	1	
3	0284-60300	Muffler Fixing Pipe (60L)	1	
4	0310-41100	Exhaust Adapter (B) CMP	1	
5	0310-41200	Exhaust Cover (L)	1	
6	0310-41300	Exhaust Cover (R)	1	
7	0310-42310	Oil Drain (830B) Assy	1	
8	Engine Parts	Muffler Band	1	
9	89-1211-100852	Mini Hexagonal Bolt M10*85	1	
10	89-1233-080162	Mini Hexagonal Bolt (PWSW) M8*16	2	
11	89-1251-120152	Flange Mini Hexagonal Bolt M12*15	1	
12	89-1543-100002	Mini Hexagonal Nut (SW) M10	1	
13	89-1713-100002	Flat Washer 10 (large)	2	
14	Engine Parts	Muffler	1	
No.	Parts No.	Parts Name	Qty	Remarks



1	-	Briggs Engine 305777 (16HP)	1	
2	80-1485-518-0H	Knife Belt Holder (Engine) CMP (Metallic Grey)	1	
3	80-1487-516-00	Washer 11*40*6	1	
4	80-1488-514-00	Engine Pulley	1	
5	0310-40200	Engine Collar ϕ 34	2	
6	83-1437-115-00	Hexagonal Bolt (8T) UNF7/16*35	1	
7	83-1493-300-00	Spring Washer 7/16	1	
8	89-1232-100202	Mini Hexagonal Bolt (SW) M10*20	2	
9	89-1253-080402	Flange Mini Hexagonal Bolt (8T) M8*40	4	
10	89-1543-080002	Mini Hexagonal Nut (SW) M8	4	
11	89-1713-100002	Flat Washer 10 (large)	2	
12	89-1812-080002	Toothed Washer (inside) 8	1	
13	89-6123-003102	V Belt SB-31 (W800)	1	
14	89-6123-007502	V Belt SB-75 (W800)	1	
No.	Parts No.	Parts Name	Qty	Remarks

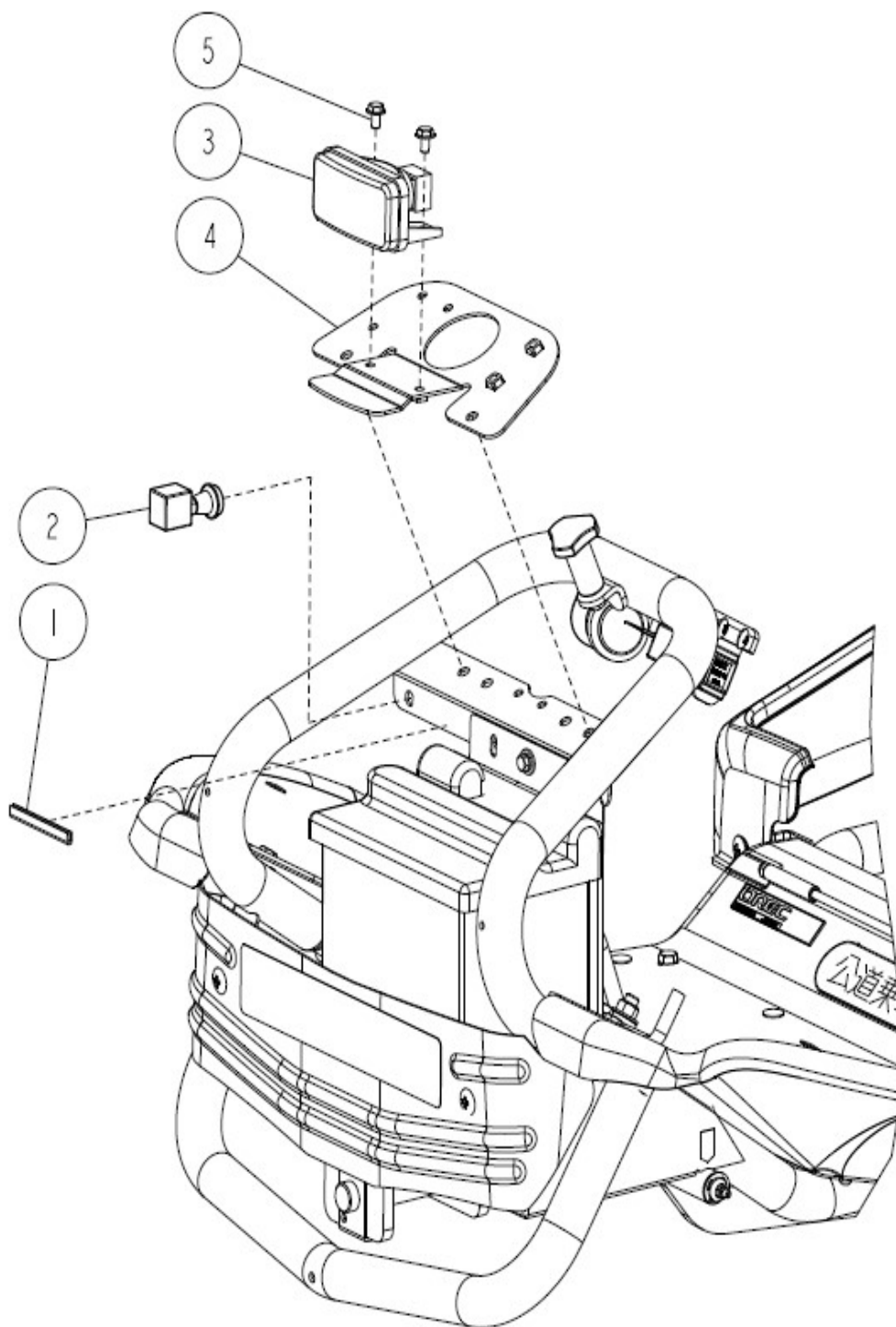


1	80-1482-549-00	Rubber Cover 58	1	
2	80-1485-551-00	Driving Tension Spring	1	
3	0207-4110H	Drive Tension Spring Arm (Metallic Grey)	1	
4	0284-40300	Tension Pulley	1	
5	0310-40000	Drive Tension Arm Set (with Bush)	1	No.14 × 2pcs Incl.
6	83-1020-363-00	Thrust Washer 16*24*1.0	2	
7	89-1211-100252	Mini Hexagonal Bolt M10*25	1	
8	89-1253-100353	Flange Mini Hexagonal Bolt (8T) M10*35	1	
9	89-1611-100042	Mini Hexagonal Nut M10	2	
10	89-2511-000160	Snap Ring (S16)	1	
11	89-2511-000170	Snap Ring (S17)	1	
12	89-2512-000400	Snap Ring (R40)	1	
13	89-3115-062034	Bearing 6203 2RS	1	
14	89-3510-016150	DU Bush 16.15	2	
No.	Parts No.	Parts Name	Qty	Remarks



1	80-1481-568-00	Knife Tension Return Spring ϕ 26.7	1	
2	80-1482-549-00	Rubber Cover 58	1	
3	0207-40000	Knife tension arm set (with Bushing)	1	No.16 \times 2Pcs Inclcd
4	0207-43100	Knife Tension Pulley Shaft	1	
5	0207-78400	Spring For Knife Tension Return	1	
6	0310-2030H	Engine Base CMP (RM830) (Metallic Grey)	1	
7	83-1020-363-00	Thrust Washer 16*24*1.0	2	
8	83-1483-782-10	Knife Tension Pulley	1	
9	89-1613-100042	Mini Hexagonal Nut (3 sorts) M10	1	
10	89-1713-100002	Flat Washer 10 (large)	1	
11	89-1750-100002	Spring Washer 10	1	
12	89-2511-000150	Snap Ring (S15)	1	
13	89-2511-000160	Snap Ring (S16)	1	
14	89-2512-000350	Snap Ring (R35)	1	
15	89-3115-062024	Bearing 6202 2RS	2	
16	89-3510-016250	DU Bush 16.25	2	
No.	Parts No.	Parts Name	Qty	Remarks

48/48 Light Option



1	80-1482-493-00	Ditch Gum L73	1	
2	80-1484-337-00	Lighting Switch (B15930)	1	
3	0244-72900	Head Lamp	1	
4	0284-2060H	Head Lamp Stay CMP (Metallic Grey)	1	
5	89-1137-060122	Hexagonal Bolt (PW) M6*12	2	
-	0310-91000	Light Option Set	1	①~⑤
-	83-1711-719-00	Wire Band 200L	2	For bundling harnesses
No.	Parts No.	Parts Name	Qty	Remarks

