

Parts Catalogue

BULL MOWER

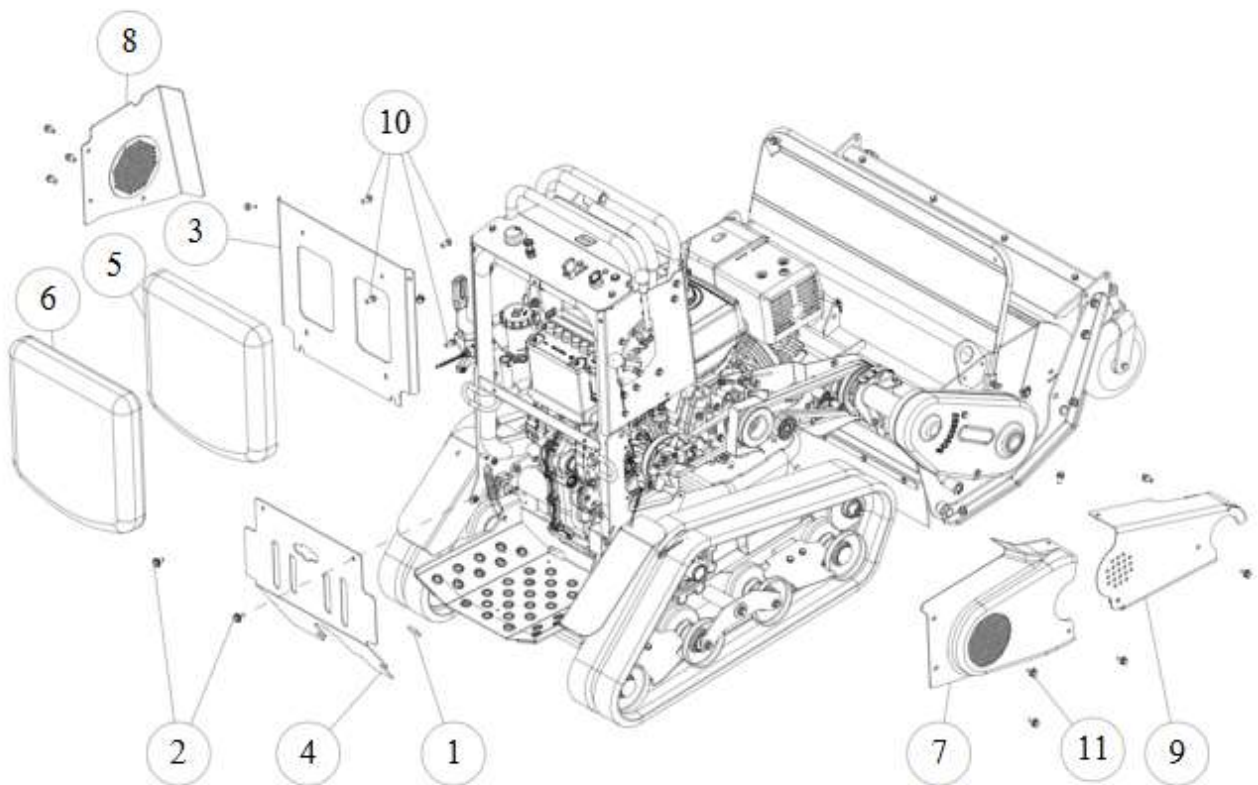
ZHR 8 0 0

Model	Specialized parts Code
ZHR 8 0 0	0 9 4 0 - △△△△△

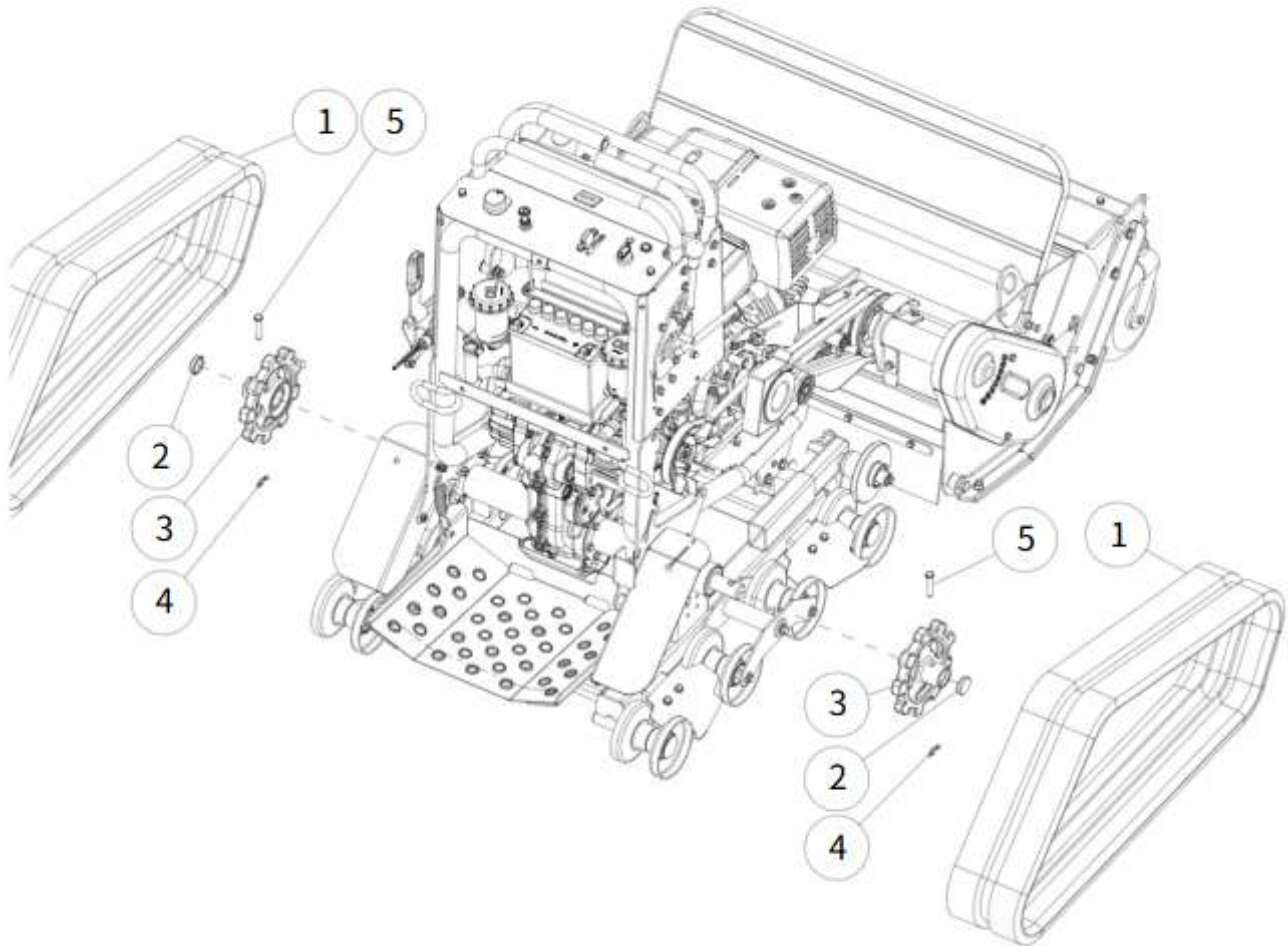
《Contents》

F i g 1	Main Uni	1
F i g 2	Crawler Frame Section	7
F i g 3	Handle section	10
F i g 4	Rotary section	14
F i g 5	Engine section	21
F i g 6	Mission Section	26
F i g 7	HST unit R section	34
F i g 8	HST unit L section	35
F i g 9	Label	36
F i g 1 0	Option	37

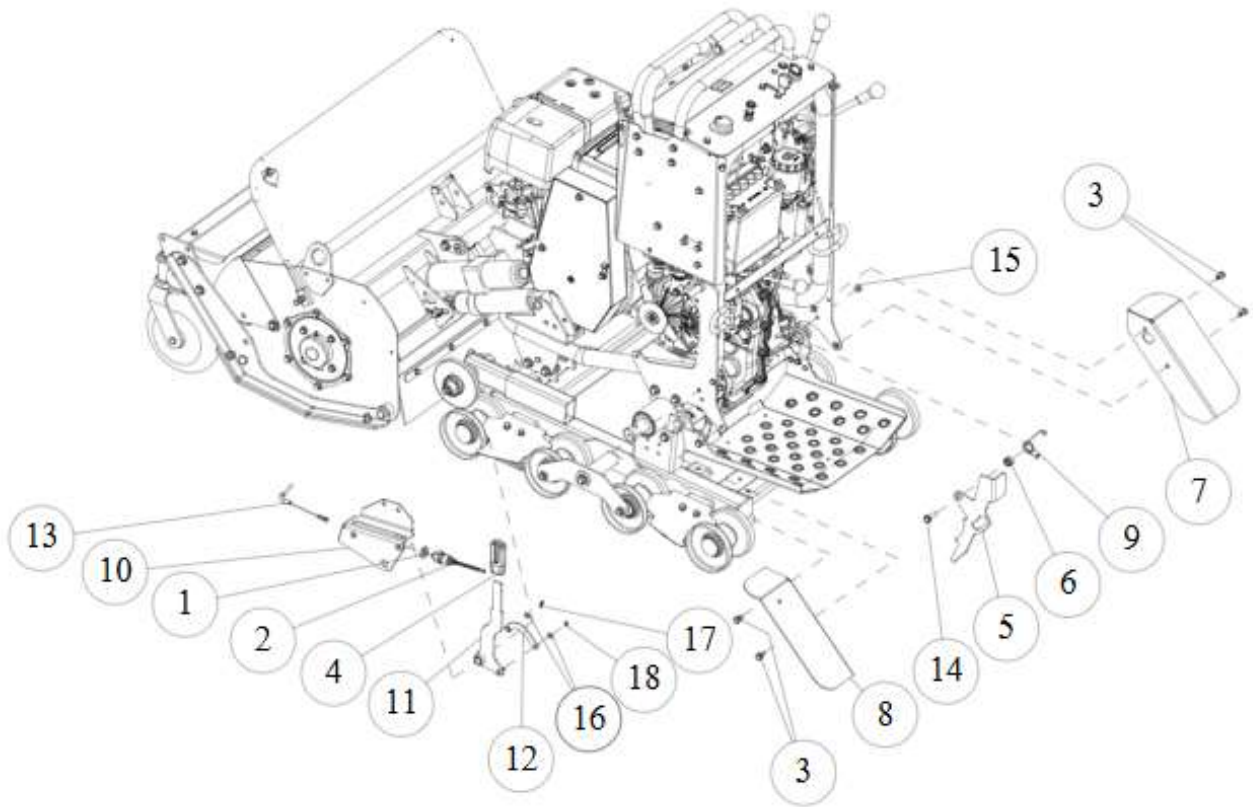
OREC CO., LTD.



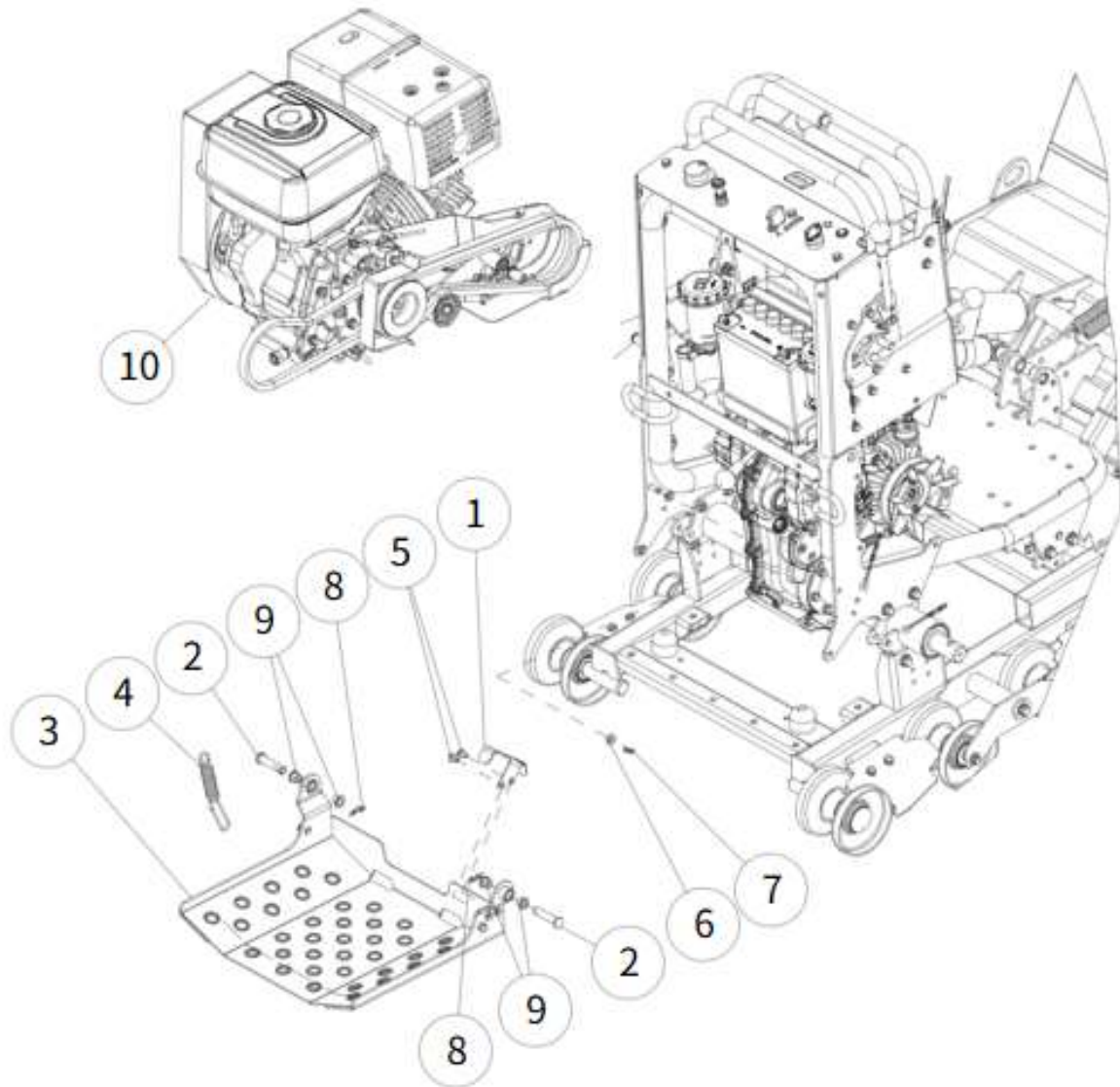
1	0031-61400	Sponge Rubber	1	
2	0925-26310	Stepped Bolt M8	2	
3	0939-1090H	Cushion Stay (Metallic Grey)	1	
4	0939-1110H	Rear Cover (Metallic Grey)	1	
5	0939-72200	Inner Cushion	1	
6	0939-72300	Cushion Cover	1	
7	0940-41111	Belt Cover (A) CMP (White)	1	
8	0940-42101	Left Cover CMP (White)	1	
9	0940-42301	Belt Cover (B) CMP (White)	1	
10	89-1238-080202	Mini Hexagonal Bolt (SW) M8*20	4	
11	89-1239-080202	Mini Hexagonal Bolt (PWSW) M8*20	11	
No.	Parts Code No.	Name	Q'ty	Remarks



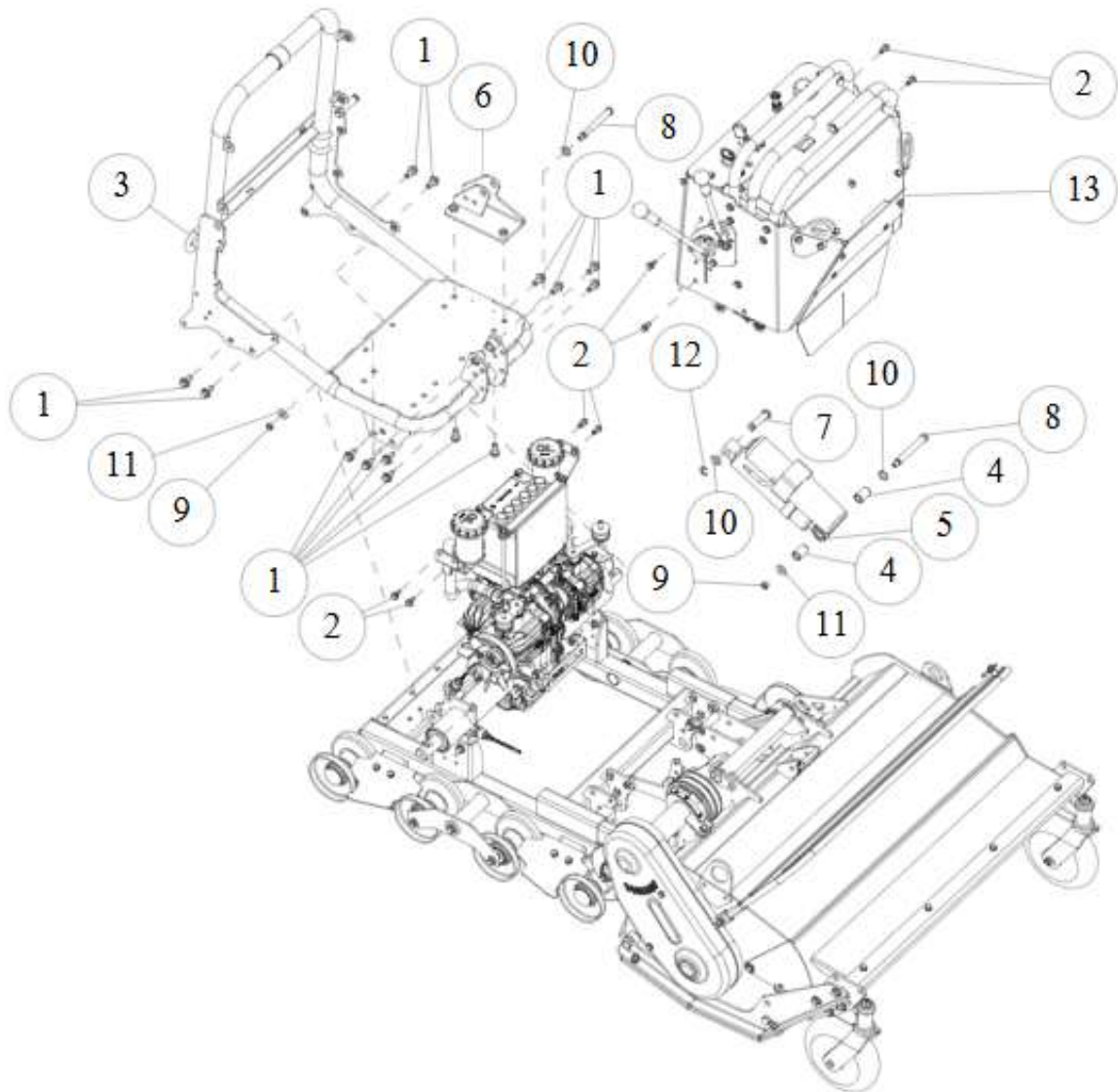
1	80-1920-401-00	Rubber Crawler 160W*60P*35L	2	
2	0282-70400	Blind Cover 35	2	
3	0940-3110H	Drive Sprocket (Metallic Grey)	2	
4	89-2132-100002	Snap Pin 10 (with stopper)	2	
5	89-2181-100502	Flat Head Pin 10*50	2	
No.	Parts Code No.	Name	Q'ty	Remarks



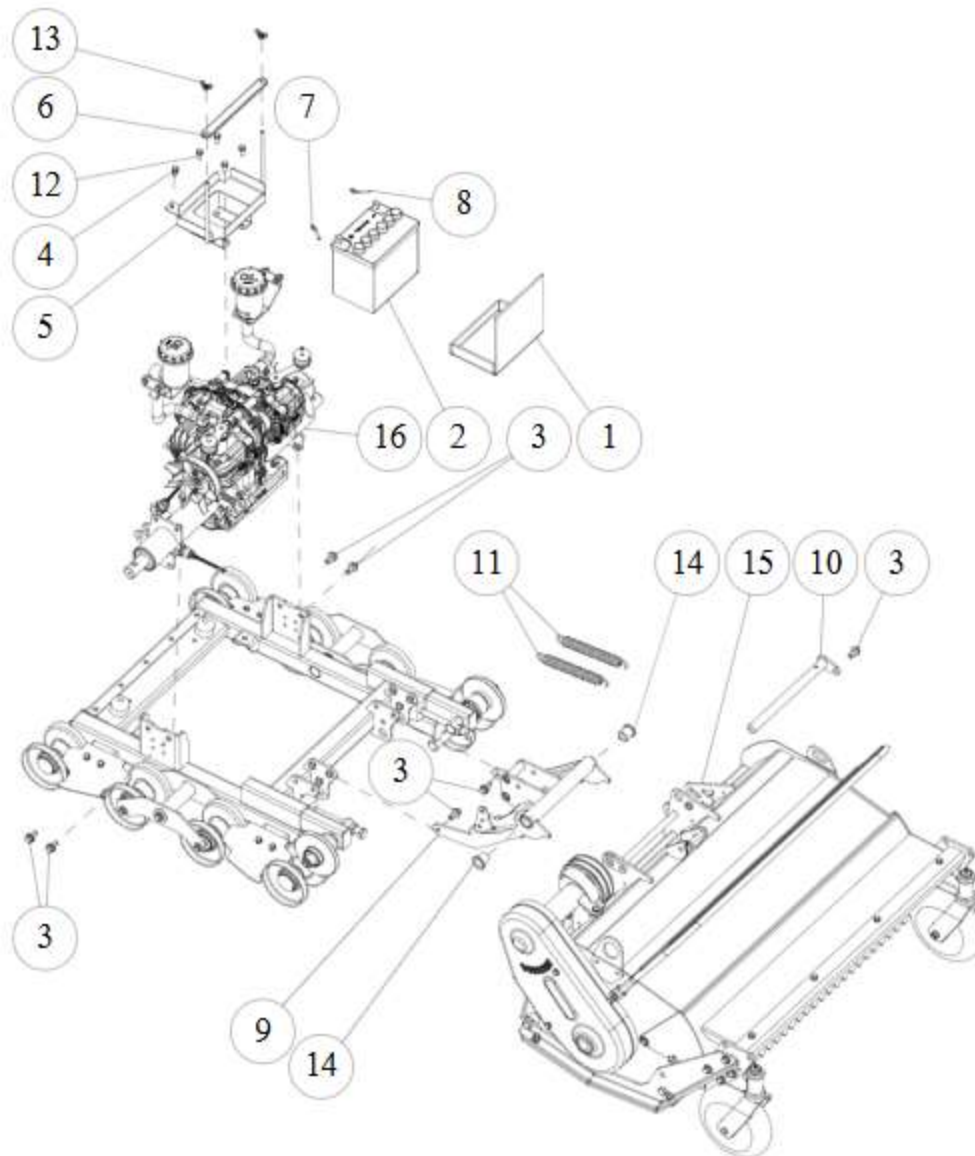
1	0207-72800	Switch Lock Nut	1	
2	0207-74400	Safety Switch K17850	1	
3	0245-74310	Hexagonal Bolt(SW) M8*18 7T (Meck)	4	
4	0339-73500	Arm Grip (Black)	1	
5	0939-20900	Step Lever	1	
6	0939-21500	Collar, Step Lever	1	
7	0939-4060H	Right Fender (Metallic Grey)	1	
8	0939-4070H	Left Fender (Metallic Grey)	1	
9	0939-70400	Lever Spring	1	
10	0940-10101	Parking Lever Cover CMP (White)	1	
11	0940-10211	Parking Lever CMP (White)	1	
12	0940-10310	Wire Stay CMP	1	
13	0940-70500	Parking Brake Wire	1	
14	89-1253-080302	Flange Mini Hexagonal Bolt (8T) M8*30	1	
15	89-1543-080002	Mini Hexagonal Nut (SW) M8	1	
16	89-1711-060002	Flat Washer 6	2	
17	89-2132-060002	Snap Pin 6 (with stopper)	1	
18	89-2521-000050	E Type Ring 5	1	
No.	Parts Code No.	Name	Q'ty	Remarks



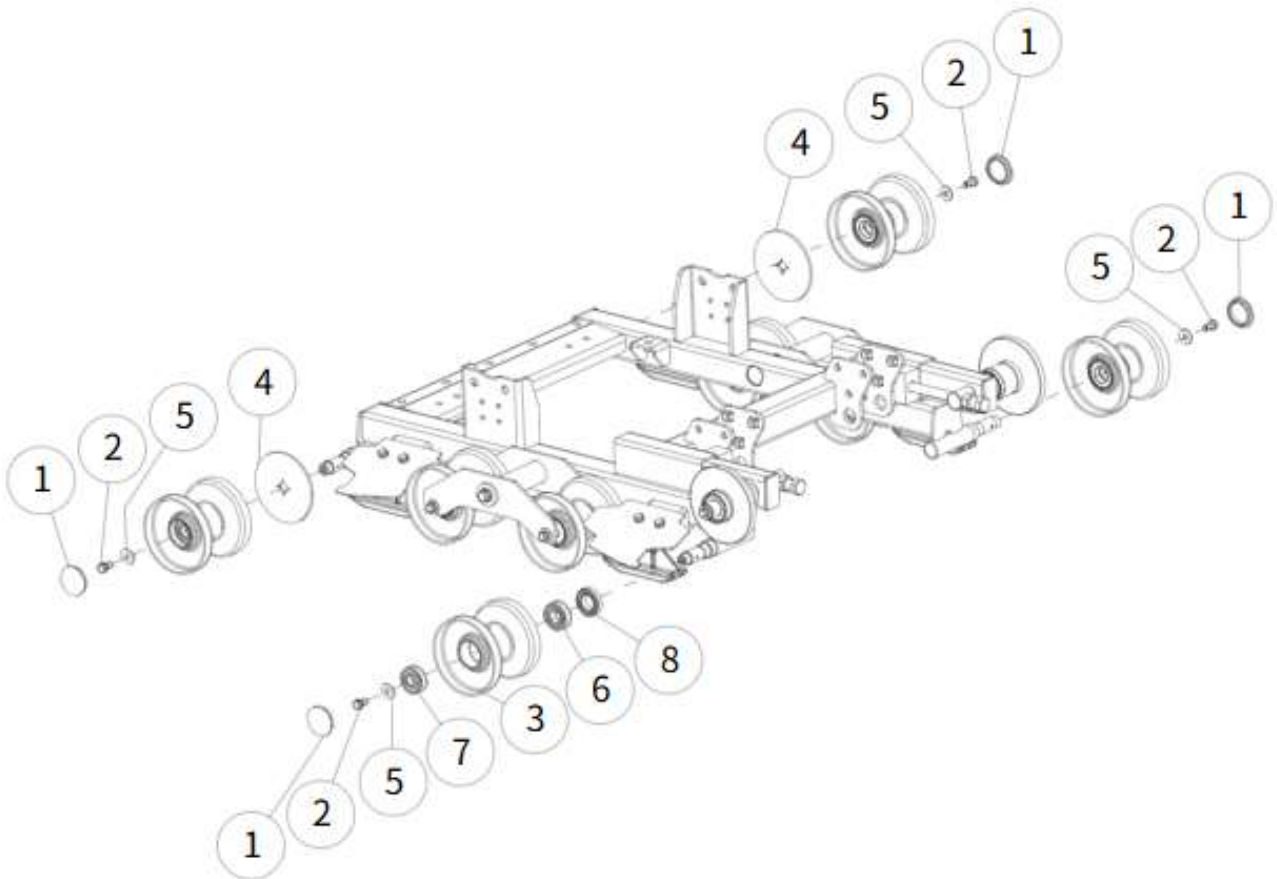
1	0939-70500	Switch Plate	1	
2	0939-71600	Round Head Pin 12*55	2	
3	0940-2010H	Step CMP (Metallic Grey)	1	
4	0940-70300	Step Spring	1	
5	89-1137-060122	Hexagonal Bolt (PW) M6*12	2	
6	89-1712-080002	Flat Washer 8	1	
7	89-2132-080002	Snap Pin 8 (with stopper)	1	
8	89-2132-100002	Snap Pin 10 (with stopper)	2	
9	89-3511-012100	DU Bush 12.10.20F	4	
10	-	Engine section	1	
No.	Parts Code No.	Name	Q'ty	Remarks



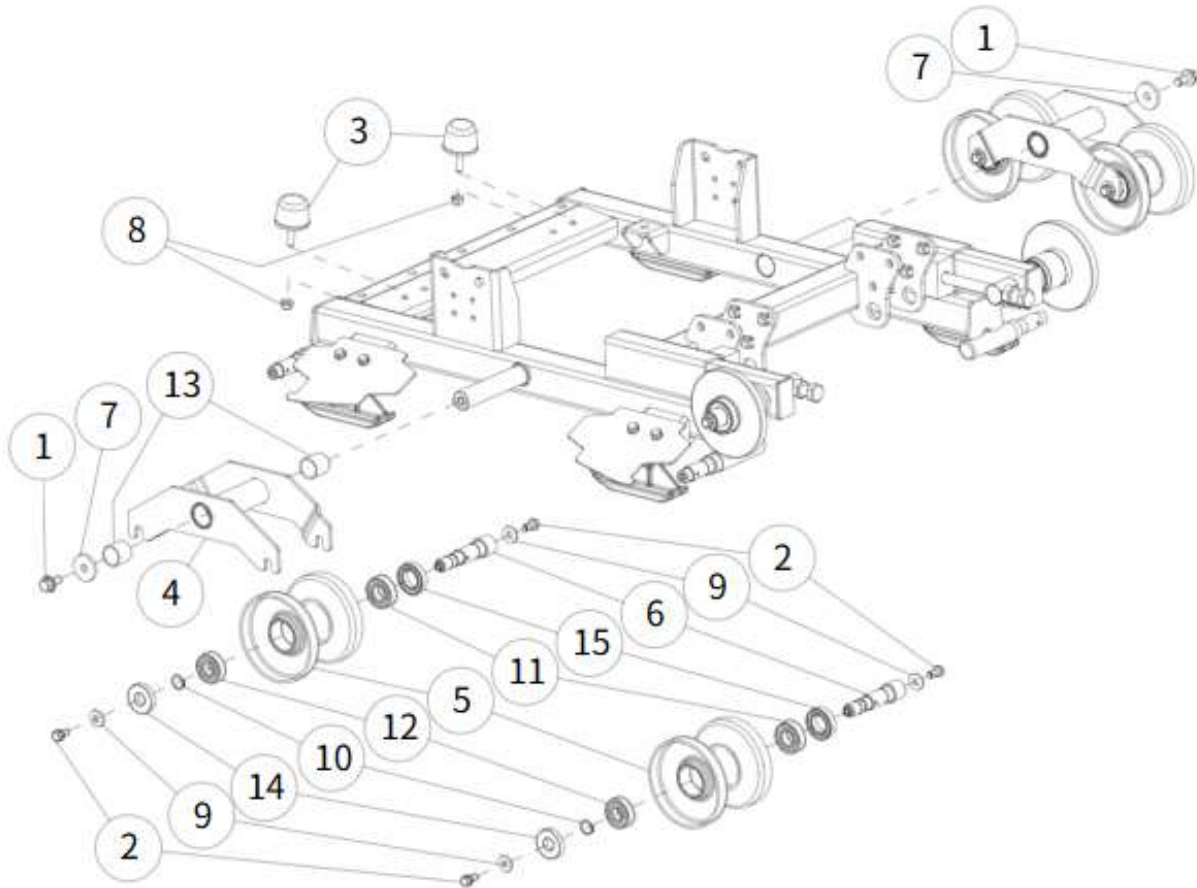
1	0244-83200	Mini Hexagonal Bolt (PWSW) M10*25 (7T Ld	14	
2	0245-74310	Hexagonal Bolt(SW) M8*18 7T (Meck)	8	
3	0939-2011H	Upper Frame CMP (Metallic Grey)	1	
4	0939-21600	Collar, Cylinder Pin	2	
5	0939-72100	Mini-Motion Package	1	
6	0940-2020H	Mini-Motion Package Stay CMP (Metallic G	1	
7	0940-20300	Mini-Motion Package Link Pin	1	
8	0940-21800	Mini-Motion Package Link Bolt	2	
9	89-1561-100002	Mini Hexagonal U Nut M10	2	
10	89-1711-140002	Flat Washer 14	3	
11	89-1713-100002	Flat Washer 10 (large)	2	
12	89-2521-000120	E Type Ring 12	1	
13	-	Handle section	1	
No.	Parts Code No.	Name	Q'ty	Remarks



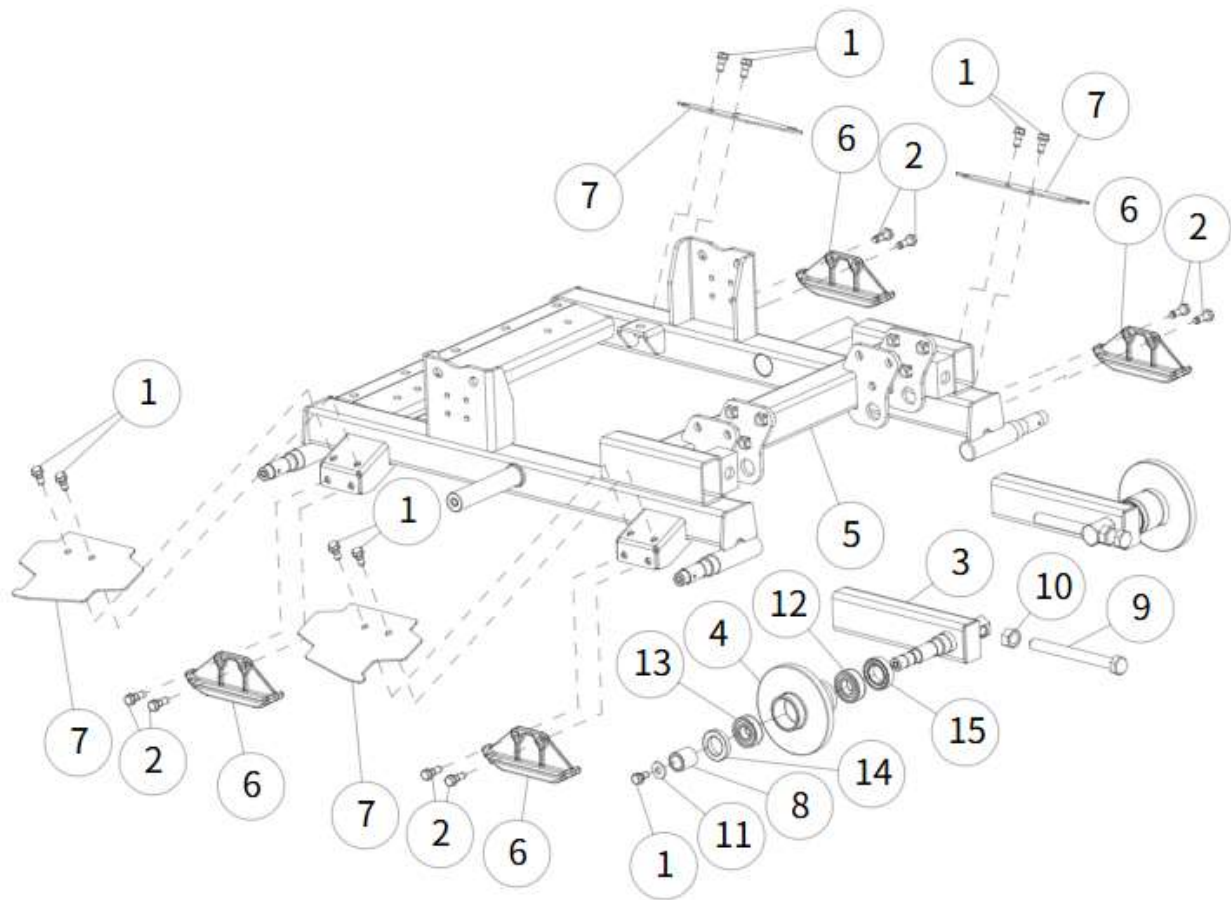
1	80-1482-971-00	Cushion Rubber (Battery)	1	
2	80-1792-976-00	Battery (30A-19L)	1	
3	0244-83200	Mini Hexagonal Bolt (PWSW) M10*25 (7T Lc	7	
4	0245-74310	Hexagonal Bolt(SW) M8*18 7T (Meck)	1	
5	0939-2060H	Battery Box CMP (Metallic Grey)	1	
6	0939-20700	Battery Holder	1	
7	0939-71400	Battery Cable (+)	1	
8	0939-71500	Battery Cable (-)	1	
9	0940-5010H	Rotary Stay CMP (Metallic Grey)	1	
10	0940-5020H	Blade Shaft CMP (Metallic Grey)	1	YB
	0940-50206	Blade Shaft CMP (Blue)	1	IA
	0940-5020G	Blade Shaft CMP (Green)	1	OR
11	0940-70400	Rotary Spring	2	
12	89-1238-080202	Mini Hexagonal Bolt (SW) M8*20	4	
13	89-1642-080002	Butterfly Nut M8	2	
14	89-3511-022250	DU Bush 22.25.33F	2	
15	-	Rotary section	1	
16	-	Transmission section	1	
No.	Parts Code No.	Name	Q'ty	Remarks



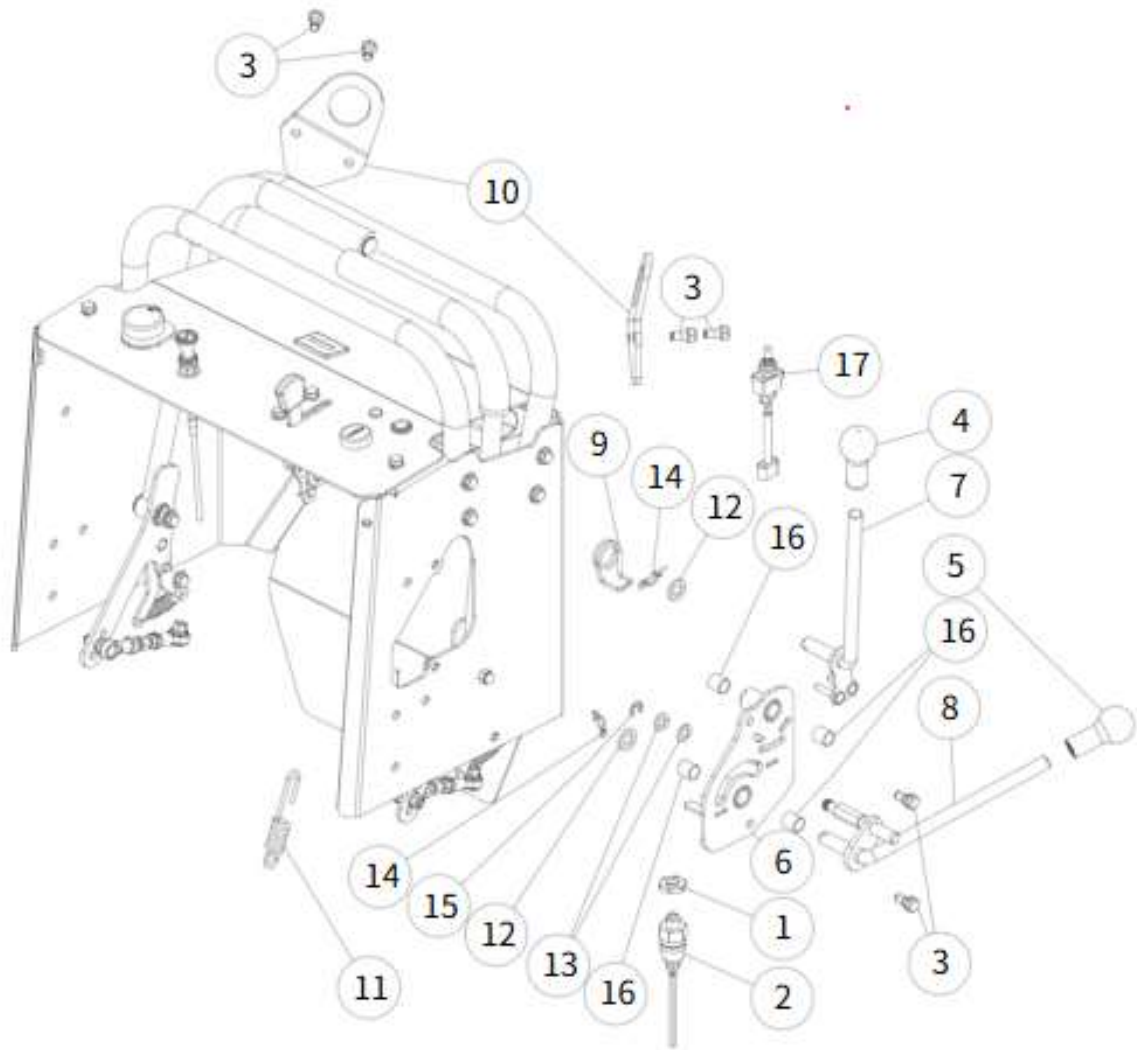
1	0245-70100	Seal Cap	4	
2	0245-74310	Hexagonal Bolt(SW) M8*18 7T (Meck)	4	
3	0939-3020H	Turn Wheel CMP (Metallic Grey)	4	
4	0940-70200	Turn Wheel Cover	2	
5	89-1713-080002	Flat Washer 8 (large)	4	
6	89-3115-060044	Bearing 6004 2RS	4	
7	89-3115-062034	Bearing 6203 2RS	4	
8	89-5121-254210	Oil Seal UE 25.42.10	4	
No.	Parts Code No.	Name	Q'ty	Remarks



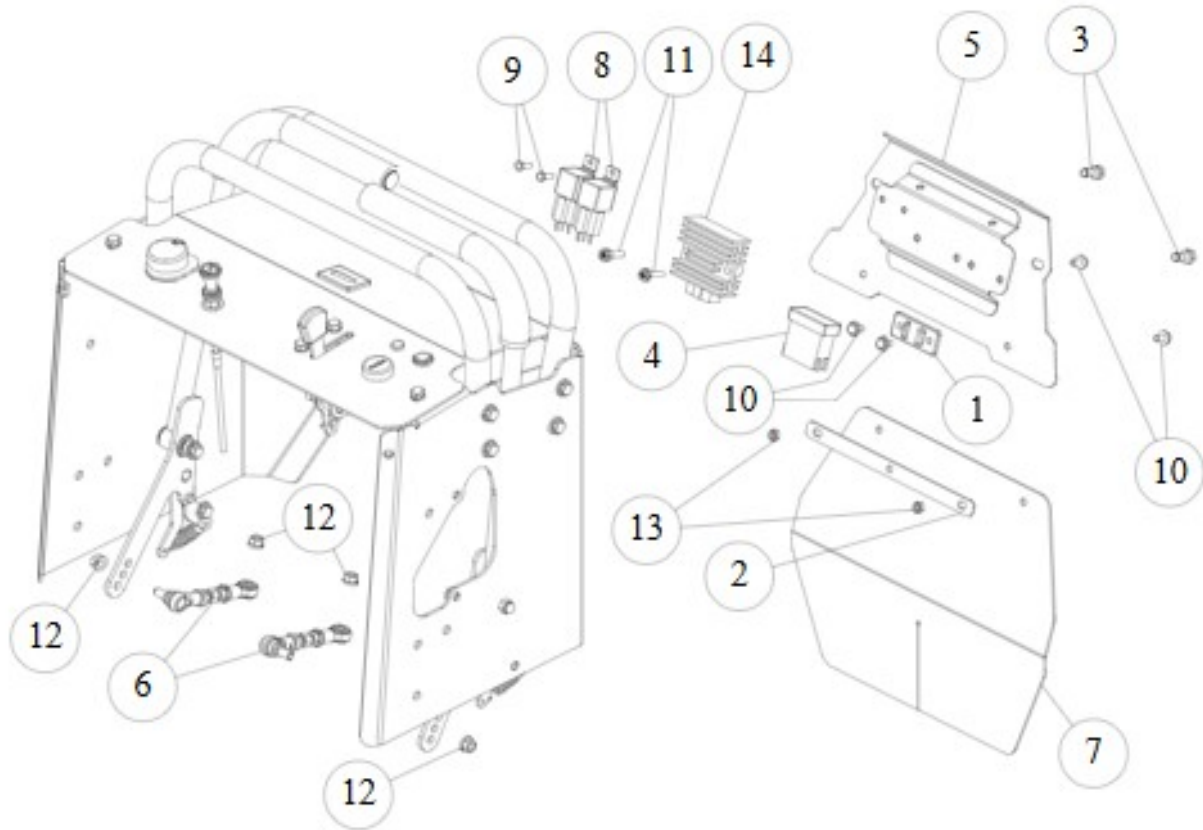
1	0244-83200	Mini Hexagonal Bolt (PWSW) M10*25 (7T Ld	2	
2	0245-74310	Hexagonal Bolt(SW) M8*18 7T (Meck)	8	
3	0334-85200	Stopper Rubber	2	
4	0914-3030H	Turn Wheel Setting (Metallic Grey)	2	
5	0939-3020H	Turn Wheel CMP (Metallic Grey)	4	
6	0940-30600	Equalizer Axle	4	
7	83-1610-321-00	Washer 10*36*4.5	2	
8	89-1543-080002	Mini Hexagonal Nut (SW) M8	2	
9	89-1713-080002	Flat Washer 8 (large)	8	
10	89-2511-000170	Snap Ring (S17)	4	
11	89-3115-060044	Bearing 6004 2RS	4	
12	89-3115-062034	Bearing 6203 2RS	4	
13	89-3510-025250	DU Bush 25.25	4	
14	89-5121-174008	Oil Seal UE 17.40.8	4	
15	89-5121-254210	Oil Seal UE 25.42.10	4	
No.	Parts Code No.	Name	Q'ty	Remarks



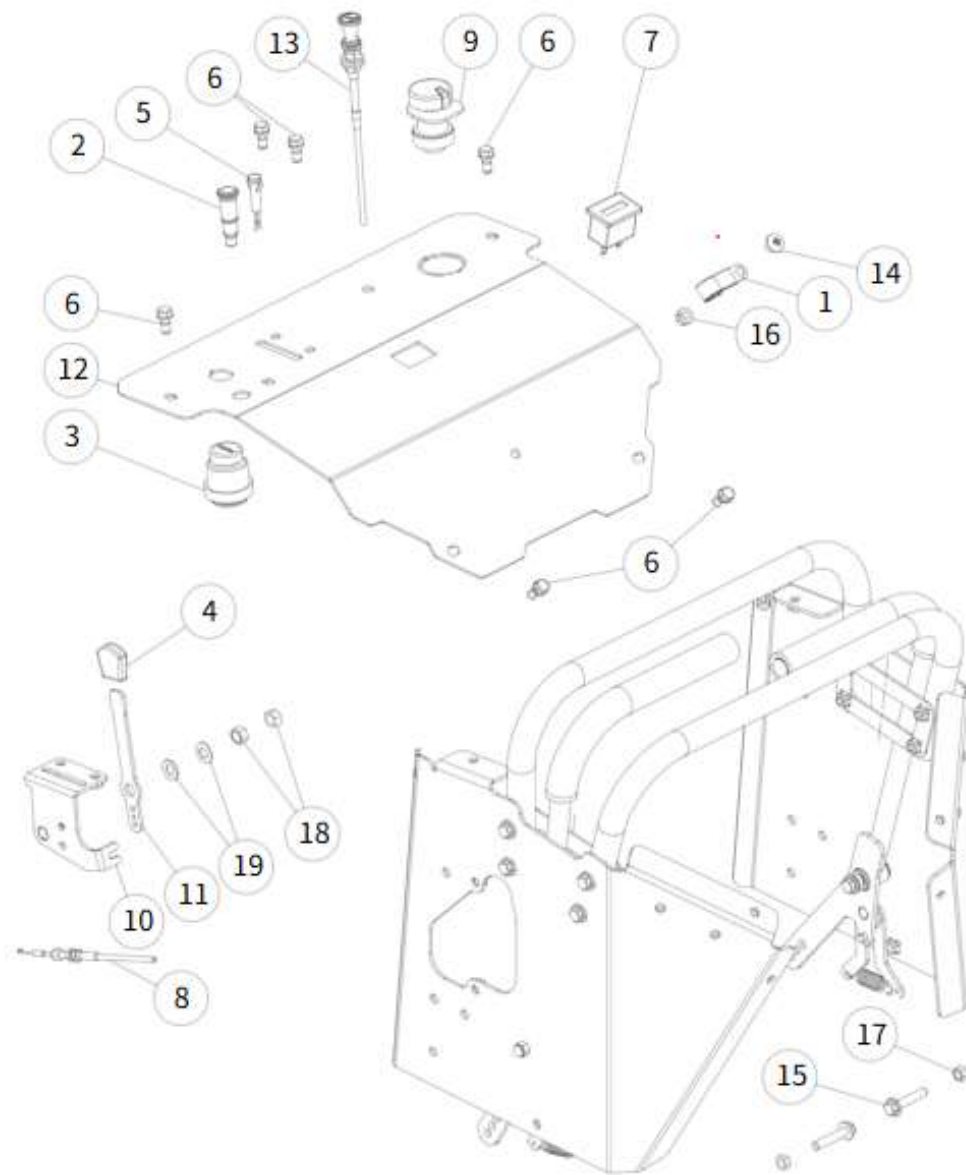
1	0245-74310	Hexagonal Bolt(SW) M8*18 7T (Meck)	10	
2	0298-72110	Hexagonal Bolt (SW) M8*25 (7T)	8	
3	0334-3060H	Induction Ring Attachment CMP (Metallic G	2	
4	0939-3041H	Idle Roller CMP (Metallic Grey)	2	
5	0940-3010H	Crawler Frame CMP (Metallic Grey)	1	
6	0940-3020H	Stone Guard (Metallic Grey)	4	
7	0940-30300	Turn Wheel Scraper	4	
8	0940-30400	Idle Roller Collar	2	
9	89-1111-141407	Hexagonal Bolt M14*140	2	
10	89-1511-140042	Hexagonal Nut M14	2	
11	89-1713-080002	Flat Washer 8 (large)	2	
12	89-3115-060044	Bearing 6004 2RS	2	
13	89-3115-062034	Bearing 6203 2RS	2	
14	89-5121-254008	Oil Seal UE 25.40.8	2	
15	89-5121-254210	Oil Seal UE 25.42.10	2	
No.	Parts Code No.	Name	Q'ty	Remarks



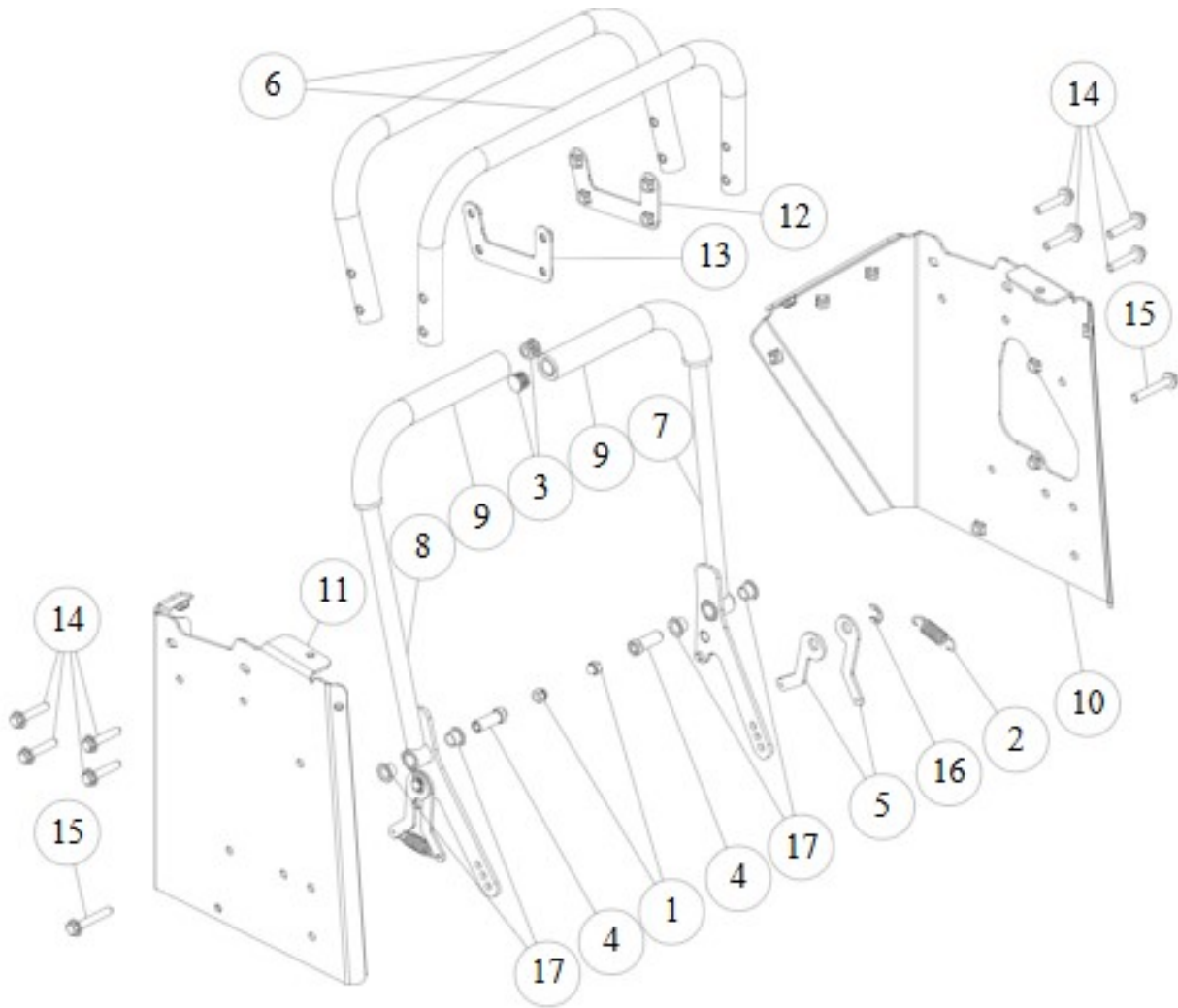
1	0207-72800	Switch Lock Nut	1	
2	0207-74400	Safety Switch K17850	1	
3	0245-74310	Hexagonal Bolt(SW) M8*18 7T (Meck)	6	
4	0253-79100	Lever Grip 12.7	1	
5	0915-70200	Grip, Rubber 12.7	1	
6	0939-1120H	Lever Bracket CMP (Metallic Grey)	1	
7	0939-11300	Plow Height Adjusting Lever CMP	1	
8	0939-11400	Driving Clutch Lever CMP	1	
9	0939-70200	Lever Return Spring	1	
10	0940-1140H	Hook Plate (Metallic Grey)	2	
11	0940-70100	Clutch Spring	1	
12	83-1565-329-02	Washer 13*22*2.3	2	
13	89-1711-100002	Flat Washer 10*18*1.6	2	
14	89-2132-120002	Snap Pin 12 (with stopper)	2	
15	89-2521-000080	E Type Ring 8	1	
16	89-3510-013150	DU Bush 13.15	4	
17	0939-71300	Toggle Switch	1	
No.	Parts Code No.	Name	Q'ty	Remarks



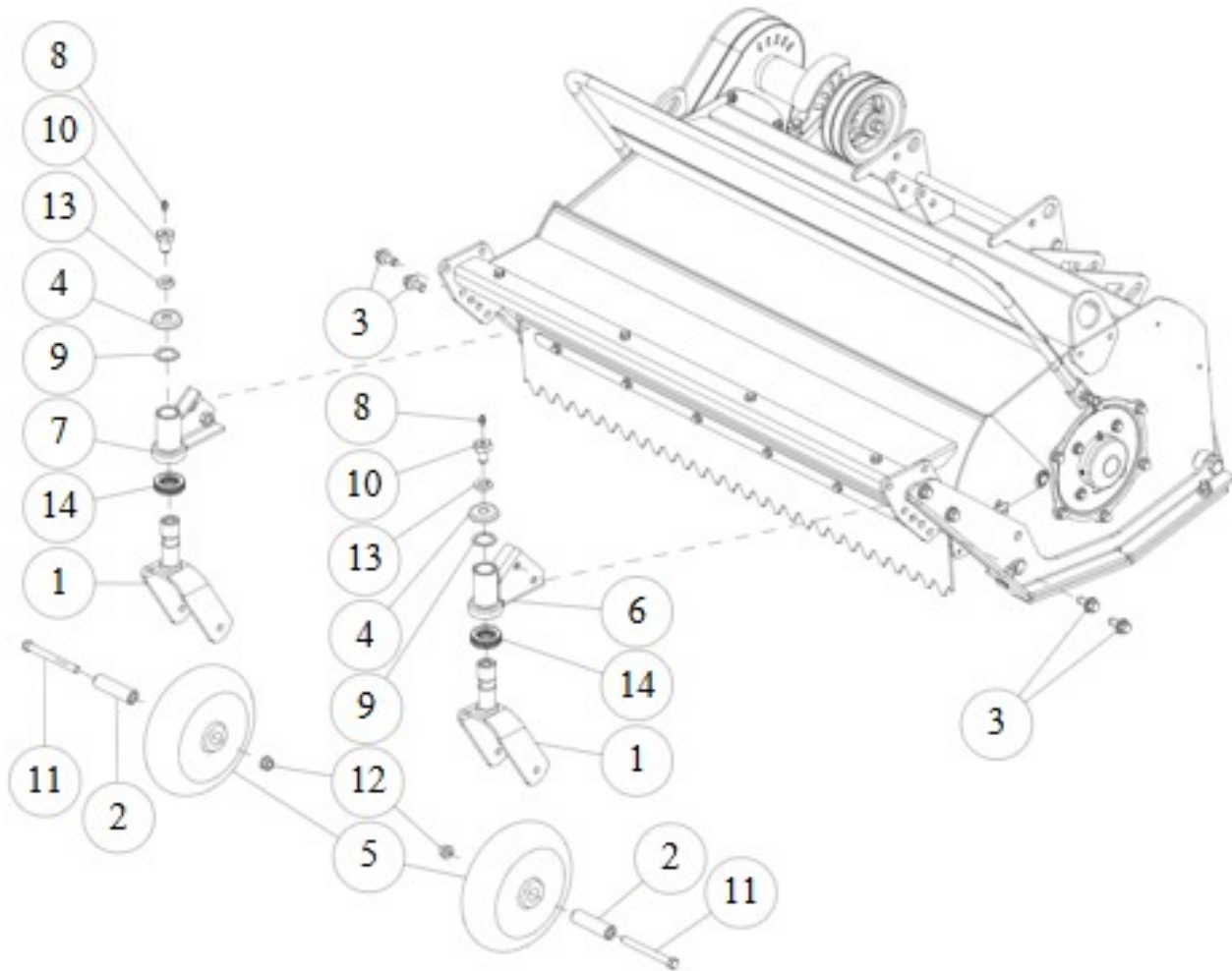
1	0207-79200	Fuse Box Bracket	1	
2	0208-73110	Flapper Holder	1	
3	0245-74310	Hexagonal Bolt(SW) M8*18 7T (Meck)	2	
4	-	Fuse box	1	Harness parts
5	0939-10401	Front Cover CMP (White)	1	YB
	0939-10406	Front Cover CMP (Blue)	1	IA
	0939-1040G	Front Cover CMP (Green)	1	OR
6	0939-12400	Shift Rod Assy	2	
7	0939-12500	Droplet Prevention Flapper	1	
8	-	Relay	2	Harness parts
9	89-1113-050152	Hexagonal Bolt (8T) M5*15	2	
10	89-1137-060122	Hexagonal Bolt (PW) M6*12	4	
11	89-1144-060253	Hexagonal Bolt with Cross Hole (PW.SW) M	2	
12	89-1543-080002	Mini Hexagonal Nut (SW) M8	4	
13	89-1551-060002	Hexagonal U Nut M6	2	
14	-	Regulator	1	Engine Parts
-	0940-71200	Wire Harness (ZHR)	1	
No.	Parts Code No.	Name	Q'ty	Remarks



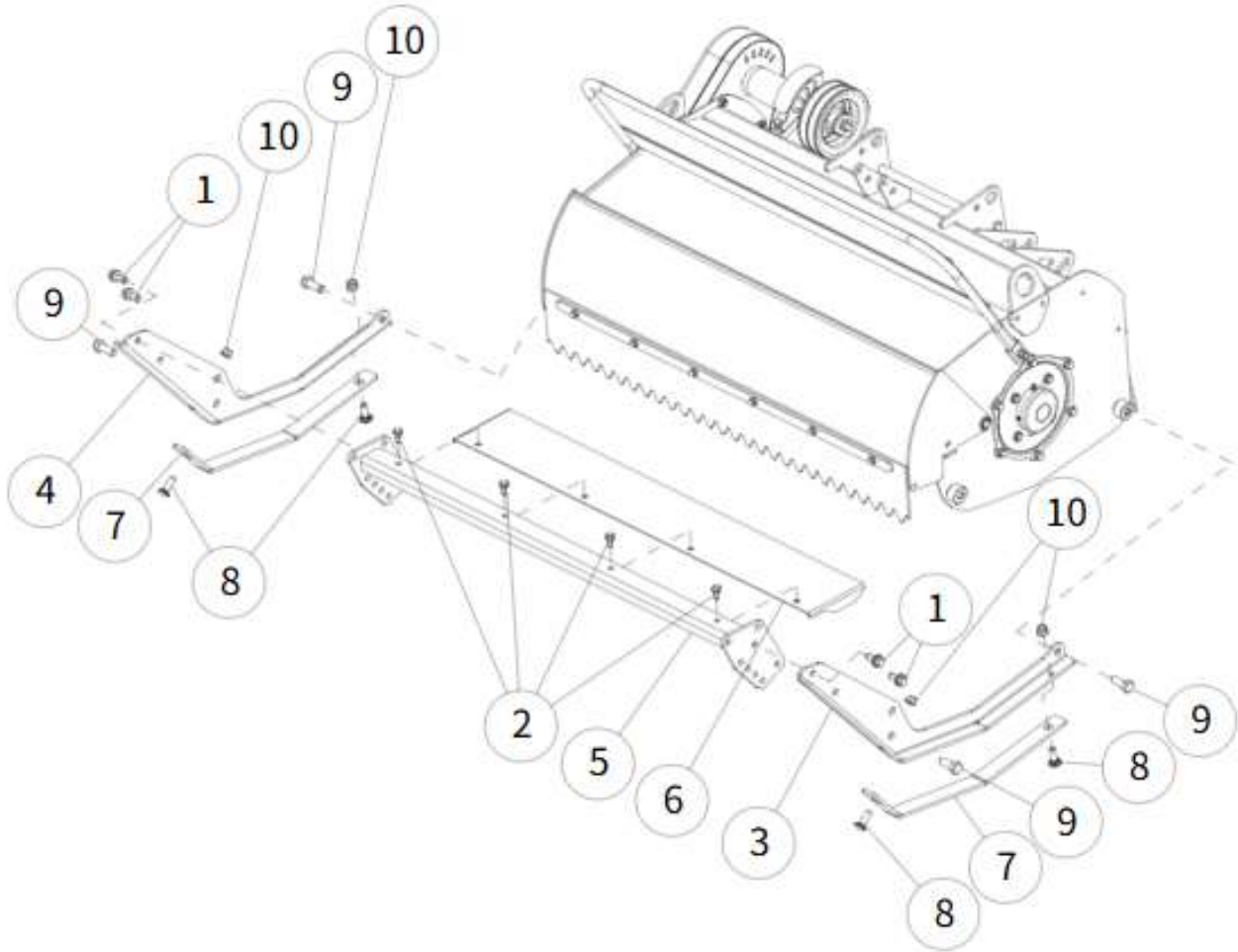
1	80-1792-988-00	Harness Clip 8	1	
2	0207-79300	Pilot Lamp	1	
3	0207-79700	Key Switch (NMA03-A020)	1	
4	0215-70600	Lever Grip (Red)	1	
5	0244-70400	Lamp, Caution for Engine Oil	1	
6	0245-74310	Hexagonal Bolt(SW) M8*18 7T (Meck)	6	
7	0267-70600	Hour Meter (Digital)	1	
8	0310-70100	Throttle Wire (RM830)	1	
9	0336-70200	Push Switch Assy	1	
10	0939-1080H	Throttle Lever Bracket CMP (Metallic Grey)	1	
11	0939-12100	Throttle Lever	1	
12	0940-1130H	Control Panel (Metallic Grey)	1	
13	0940-70600	Choke Wire	1	
14	89-1159-080122	Truss Mini Screw M8*12	1	
15	89-1253-080402	Flange Mini Hexagonal Bolt (8T) M8*40	2	
16	89-1543-080002	Mini Hexagonal Nut (SW) M8	1	
17	89-1611-080042	Mini Hexagonal Nut M8	2	
18	89-1611-100042	Mini Hexagonal Nut M10	2	
19	89-1852-100001	Belleville Spring H10	2	
No.	Parts Code No.	Name	Q'ty	Remarks



1	0208-31000	Mini Hexagonal U Cap Nut M8 (Meck)	2	
2	0208-71800	Spring, Neutral	2	
3	0254-70700	Pipe Cap 17	2	
4	0268-10900	Change Lever Inner Collar	2	
5	0312-1231H	Neutral Arm (Metallic Grey)	4	
6	0939-1050H	Handle Pipe (Metallic Grey)	2	
7	0939-1060H	Handle Lever (R) CMP (Metallic Grey)	1	
8	0939-1070H	Handle Lever (L) CMP (Metallic Grey)	1	
9	0939-11500	Handle Grip 280 (Sponge)	2	
10	0940-11101	Control Panel (R) CMP (White)	1	
11	0940-11201	Control Panel (L) CMP (White)	1	
12	0940-1150H	Handle Lever Guide (R) CMP (Metallic Grey)	1	
13	0940-1160H	Handle Lever Guide (L) CMP (Metallic Grey)	1	
14	89-1253-080402	Flange Mini Hexagonal Bolt (8T) M8*40	8	
15	89-1253-080502	Flange Mini Hexagonal Bolt (8T) M8*50	2	
16	89-2521-000100	E Type Ring 10	2	
17	89-3511-012100	DU Bush 12.10.20F	4	
No.	Parts Code No.	Name	Q'ty	Remarks

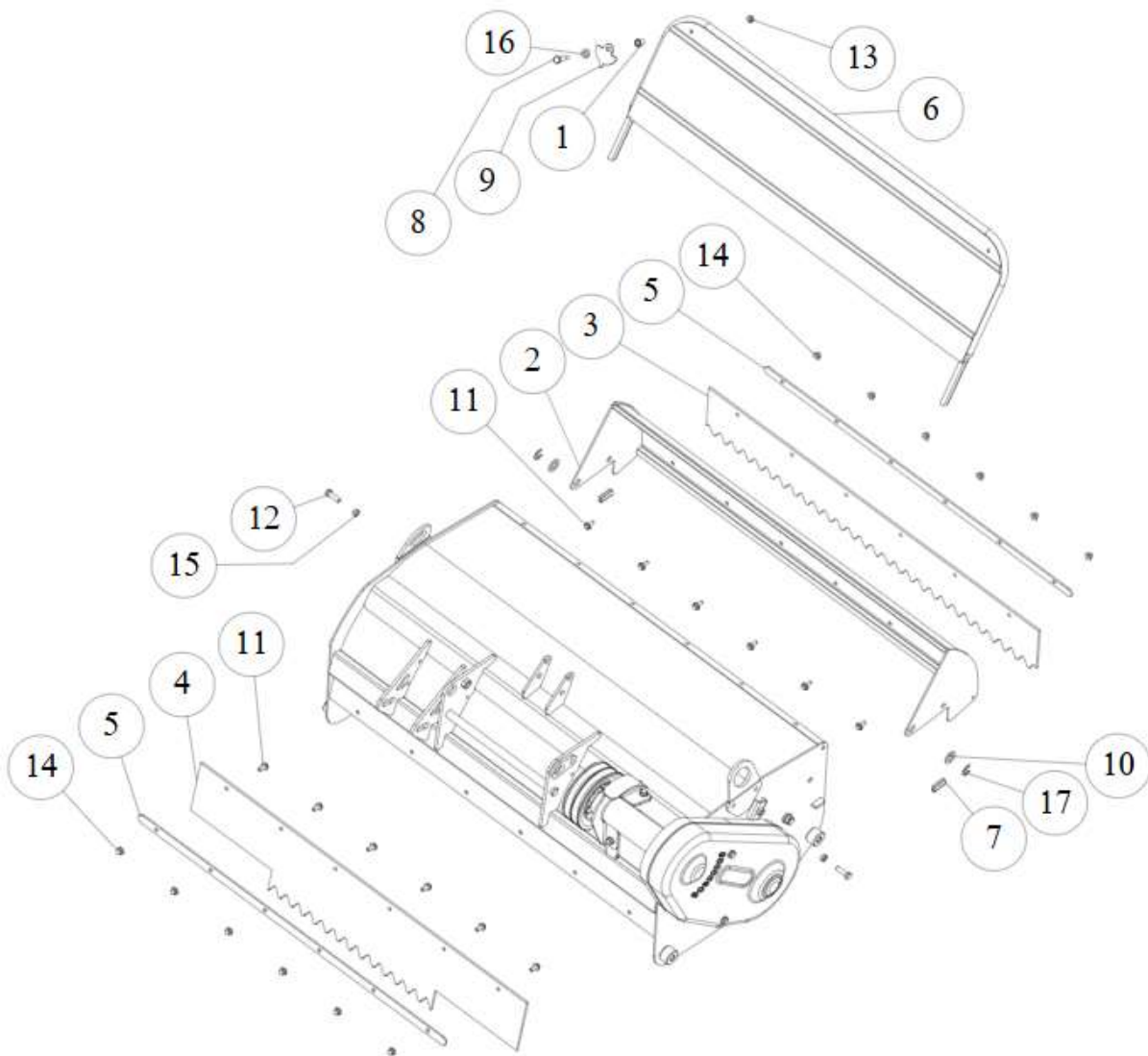


1	80-1614-725-2H	Front Wheel Fork (Metallic Grey)	2	YB
	80-1614-725-26	Front Wheel Fork (Blue)	2	IA
	80-1614-725-2G	Front Wheel Fork (Green)	2	OR
2	0940-61300	Front Wheel Collar	2	
3	0244-83200	Hexagonal Bolt (PWSW) M10*25 (7T Lock)	4	
4	0256-60700	Dust Cover	2	
5	0285-73100	Front Wheel (G200N-20)	2	
6	0940-6110H	Front Wheel Stay (L) CMP (Metallic Grey)	1	
7	0940-6120H	Front Wheel Stay (R) CMP (Metallic Grey)	1	
8	83-1415-975-00	Grease Nipple M6	2	
9	83-1783-376-00	Thrust Washer 25*34*1.0	2	
10	84-1783-791-00	Grease Nipple Bolt M14	2	
11	89-1211-100952	Mini Hexagonal Bolt M10*95	2	
12	89-1543-100002	Mini Hexagonal Nut (SW) M10	2	
13	89-1750-140002	Spring Washer 14	2	
14	89-3370-051105	Thrust Bearing 51105	2	
No.	Parts Code No.	Name	Q'ty	Remarks



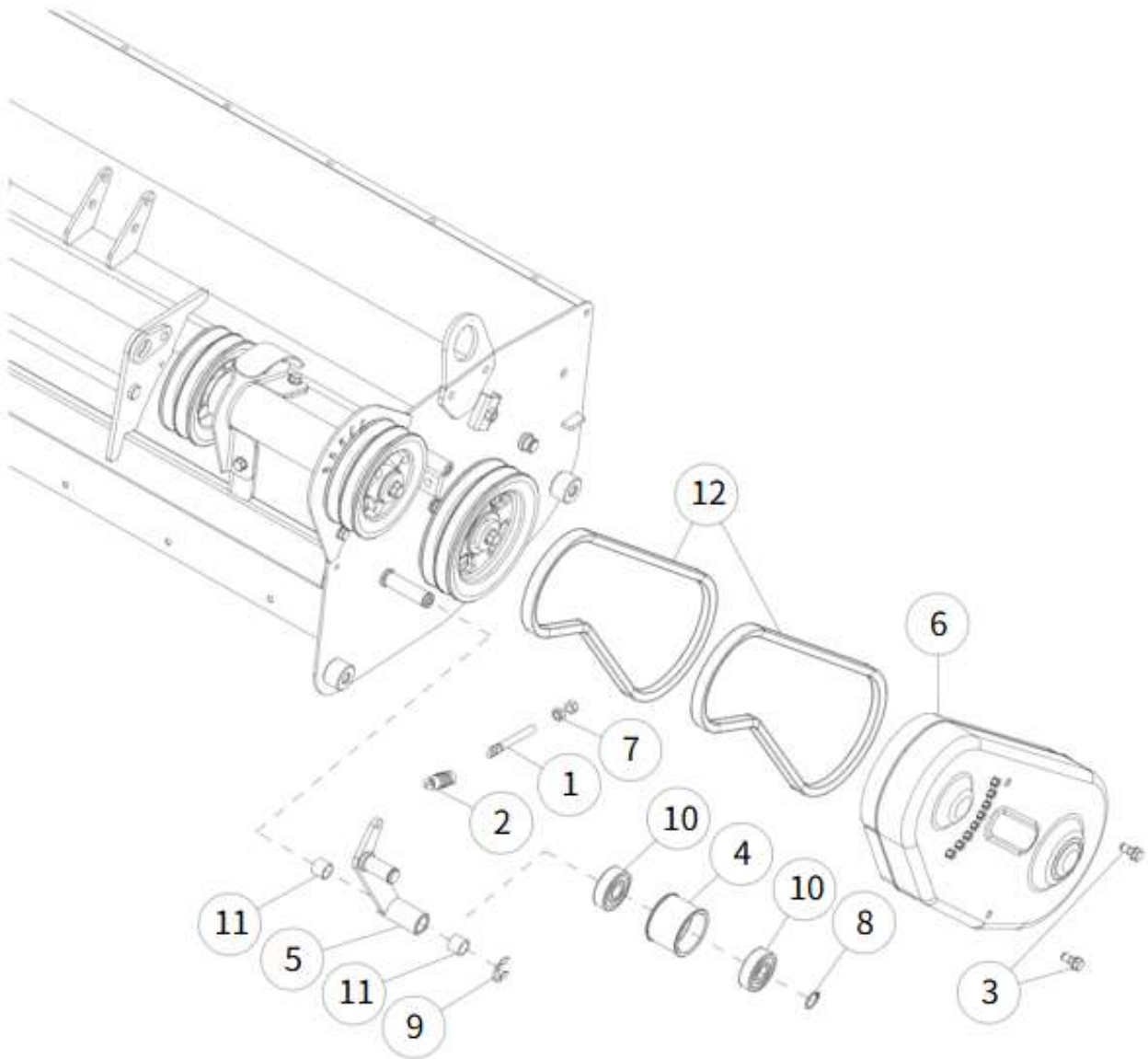
1	0244-83200	Hexagonal Bolt (PWSW) M10*25 (7T Lock)	4	
2	0245-74310	Hexagonal Bolt(SW) M8*18 7T (Meck)	4	
3	0940-6020H	Skid (L) (Metallic Grey)	1	
4	0940-6030H	Skid (R) (Metallic Grey)	1	
5	0940-6040H	Front Guard CMP (Metallic Grey)	1	
6	0940-60501	Front Top Cover CMP (White)	1	
7	0940-6060H	Skid Support (Metallic Grey)	2	
8	84-1675-838-00	Bolt M10*30	4	
9	89-1111-120252	Hexagonal Bolt M12*25	4	
10	89-1543-100002	Mini Hexagonal Nut (SW) M10	4	
No.	Parts Code No.	Name	Q'ty	Remarks

16/38 Rotary section 3/7

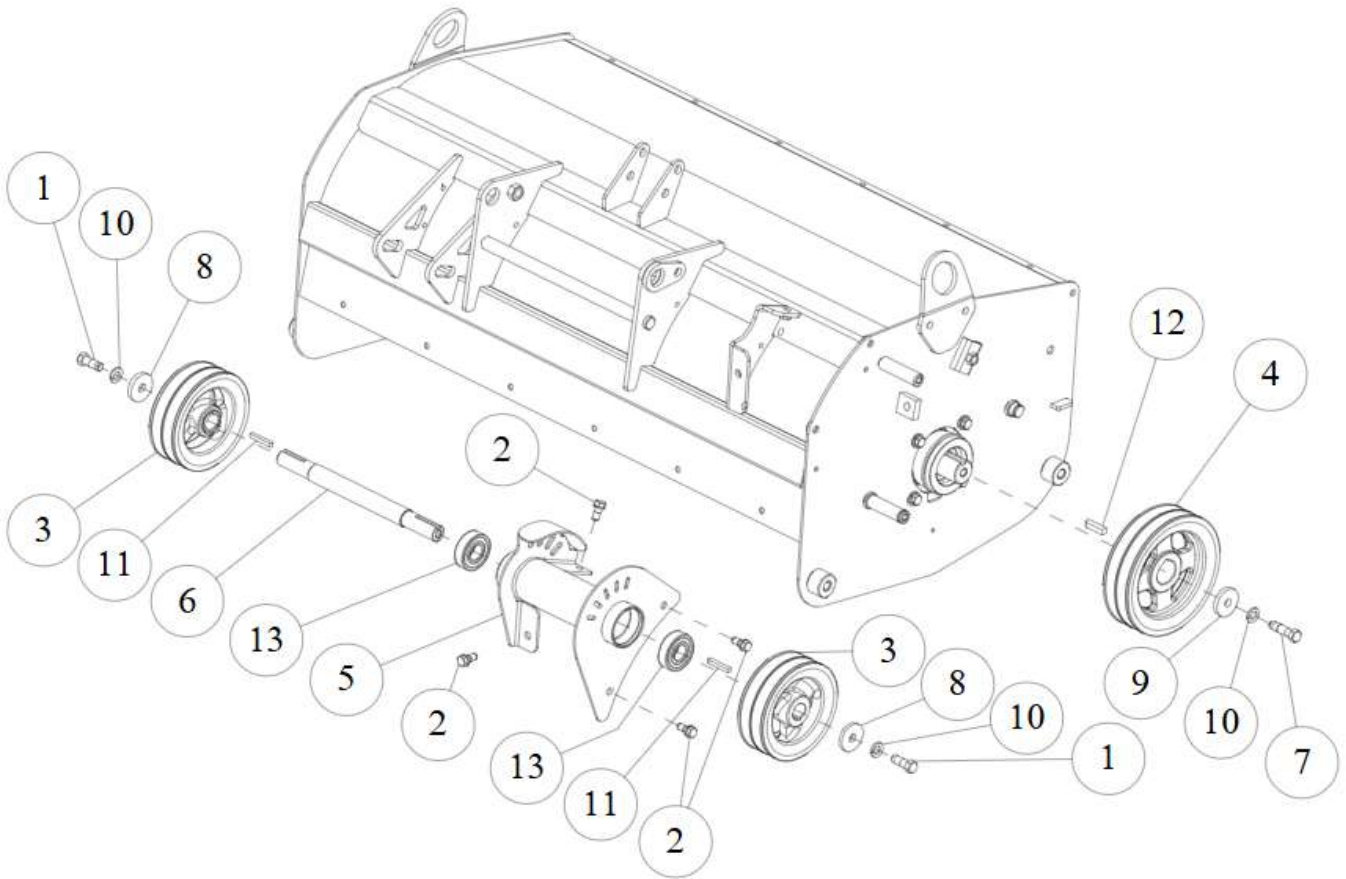


1	80-1020-270-00	Inner Collar	1	
2	0204-6030H	Front Cover CMP (Metallic Grey)	1	YB
	0204-60301	Front Cover CMP (White)	1	OR·IA
3	0204-60400	Front Flapper	1	
4	0204-60500	Rear Flapper	1	
5	0204-6060H	Flapper Holder (Metallic Grey)	2	YB
	0204-60601	Flapper Holder (White)	2	OR·IA
6	0204-6070H	Safety Cover (Metallic Grey)	1	YB
	0204-60706	Safety Cover (Blue)	1	IA
	0204-6070G	Safety Cover (Green)	1	OR
7	0285-66100	Rubber L30	2	
8	0305-20700	Step Bolt M6	1	
9	0940-60701	Clinometer (White)	1	
10	83-1630-342-00	Washer 15*26*2.3	2	
11	89-1137-060152	Hexagonal Bolt (PW) M6*15	12	
12	89-1211-080252	Mini Hexagonal Bolt M8*25	2	
13	89-1541-060002	Hexagonal Nut (SW) M6	1	
14	89-1581-060042	Flange Cap Nut M6	12	
15	89-1611-080042	Mini Hexagonal Nut M8	2	
16	89-1711-080002	Flat Washer 8 × 16 × 1.2	1	
17	89-2521-000120	E Type Ring 12	2	
No.	Parts Code No.	Name	Q'ty	Remarks

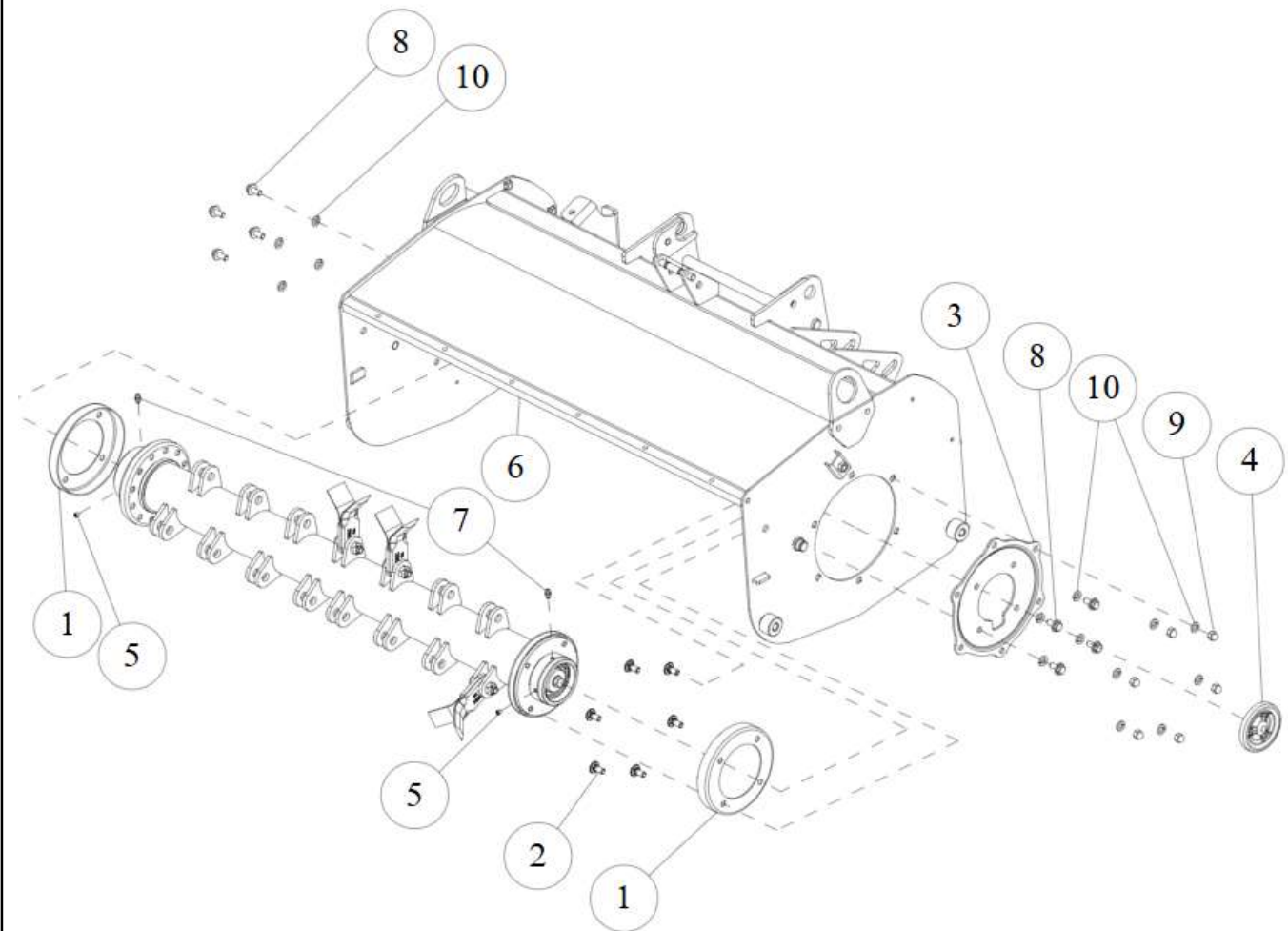
17/38 Rotary section 4/7



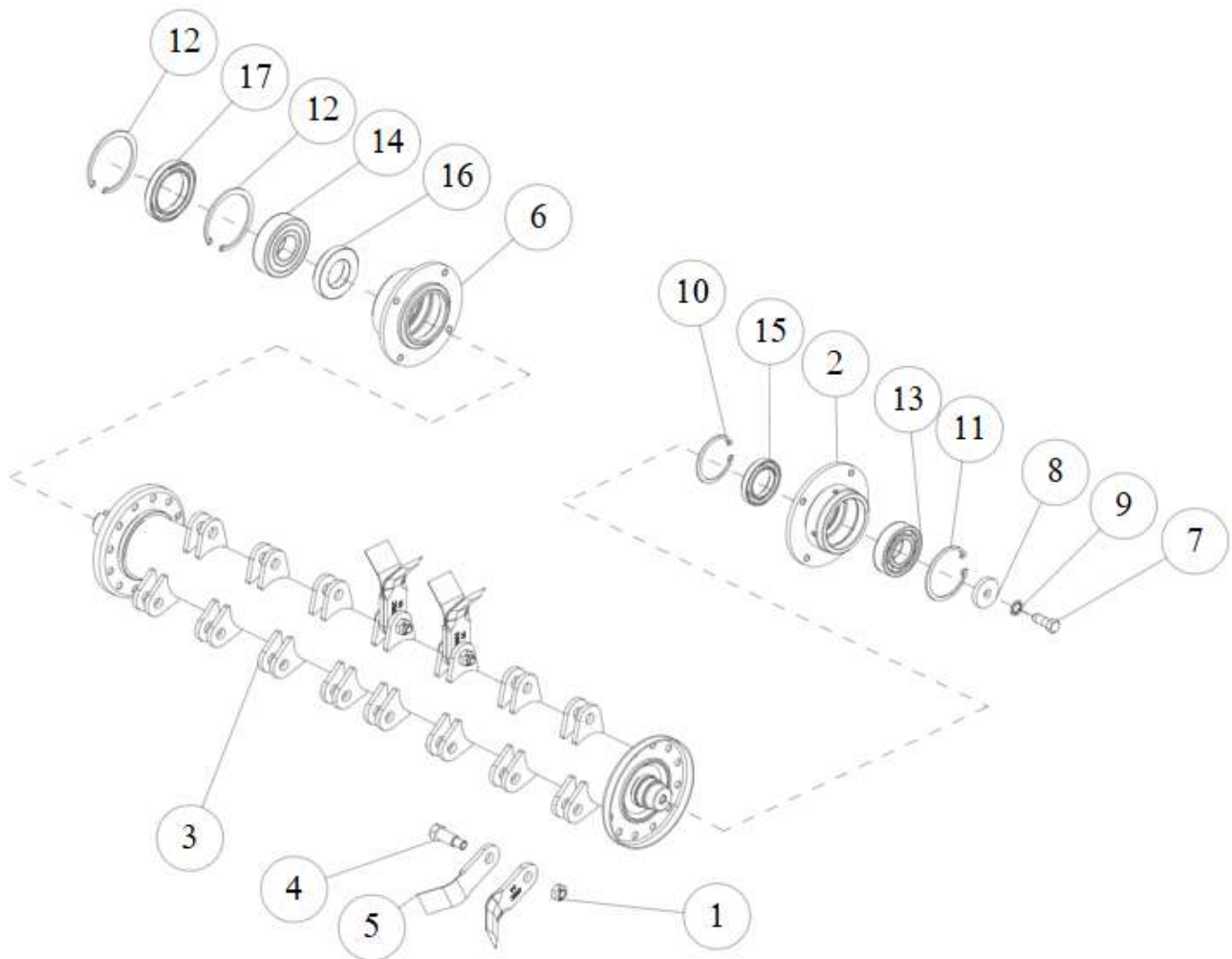
1	80-1182-527-00	Tension Pulling Bolt	1	
2	80-1425-551-00	Differential Lock Spring	1	
3	89-1239-080202	Mini Hexagonal Bolt (PWSW) M8*20	2	
4	0940-40400	Tension Pulley	1	
5	0940-41601	Front Tension Arm CMP (White)	1	
6	0940-42201	Blade Belt Cover CMP (White)	1	
7	89-1611-080042	Mini Hexagonal Nut M8	2	
8	89-2511-000170	Snap Ring (S17)	1	
9	89-2521-000150	E Type Ring 15	1	
10	89-3115-063034	Bearing 6303 2RS	2	
11	89-3510-016150	DU Bush 16.15	2	
12	89-6123-003902	V Belt SB-39 (W800)	2	
No.	Parts Code No.	Name	Q'ty	Remarks



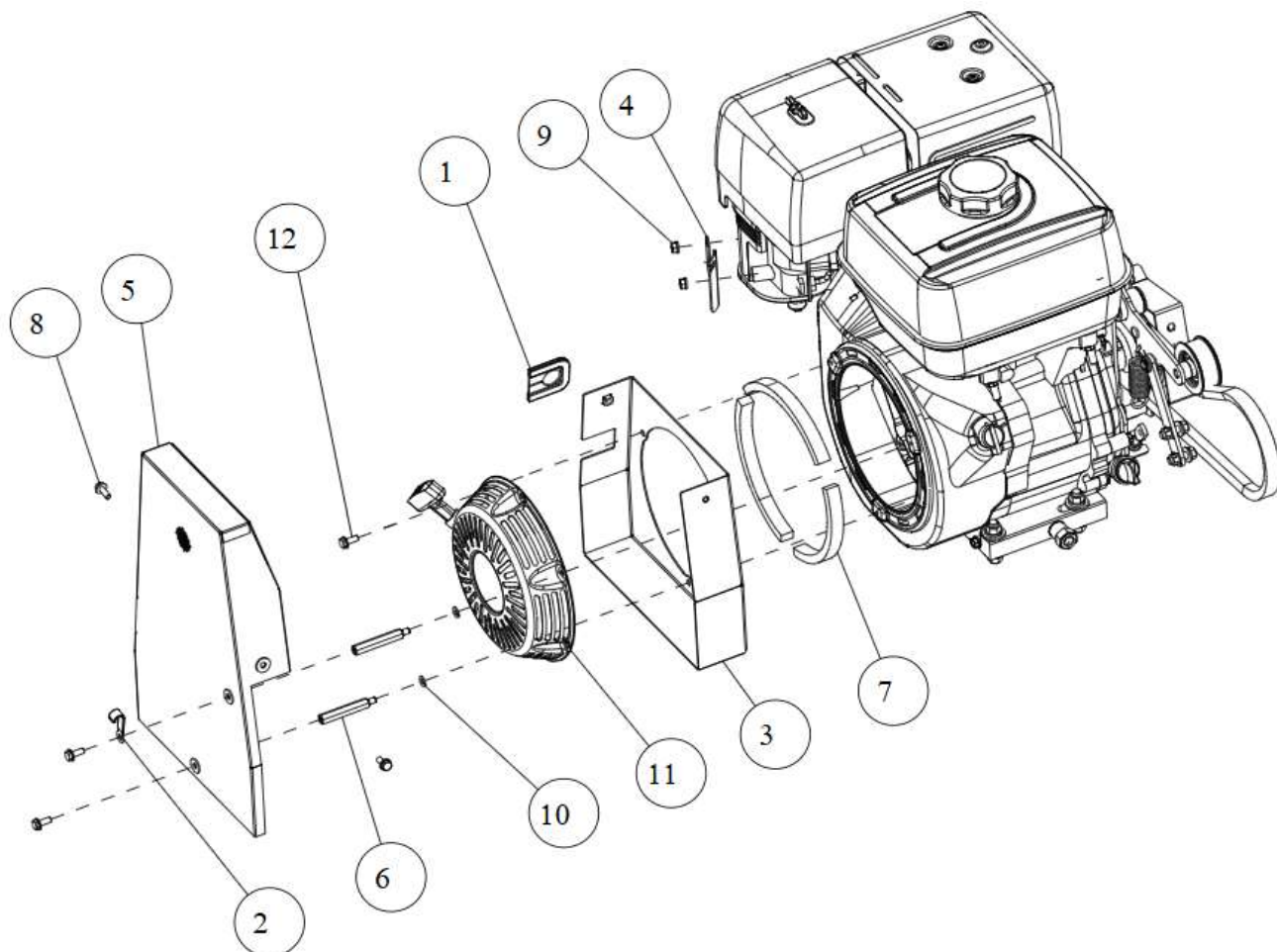
1	0212-72100	Hexagonal Bolt (8T) M10*25 (Meck)	2	
2	0245-74330	Hexagonal Bolt(SW) M8*18 (Meck)	4	
3	0940-40200	Support Pulley	2	
4	0940-40300	Blade Pulley	1	
5	0940-5030H	Support Pipe CMP (Metallic Grey)	1	
6	0940-50400	Support Shaft	1	
7	83-1610-125-00	Hexagonal Bolt (8T) M10*35	1	
8	83-1610-321-00	Washer 10*36*4.5	2	
9	83-1610-322-00	Washer 10*36*6	1	
10	89-1750-100002	Spring Washer 10	3	
11	89-2151-050350	Key 5*35 (half round)	2	
12	89-2151-070300	Key 7*30 (half round)	1	
13	89-3115-062044	Bearing 6204 2RS	2	
No.	Parts Code No.	Name	Q'ty	Remarks



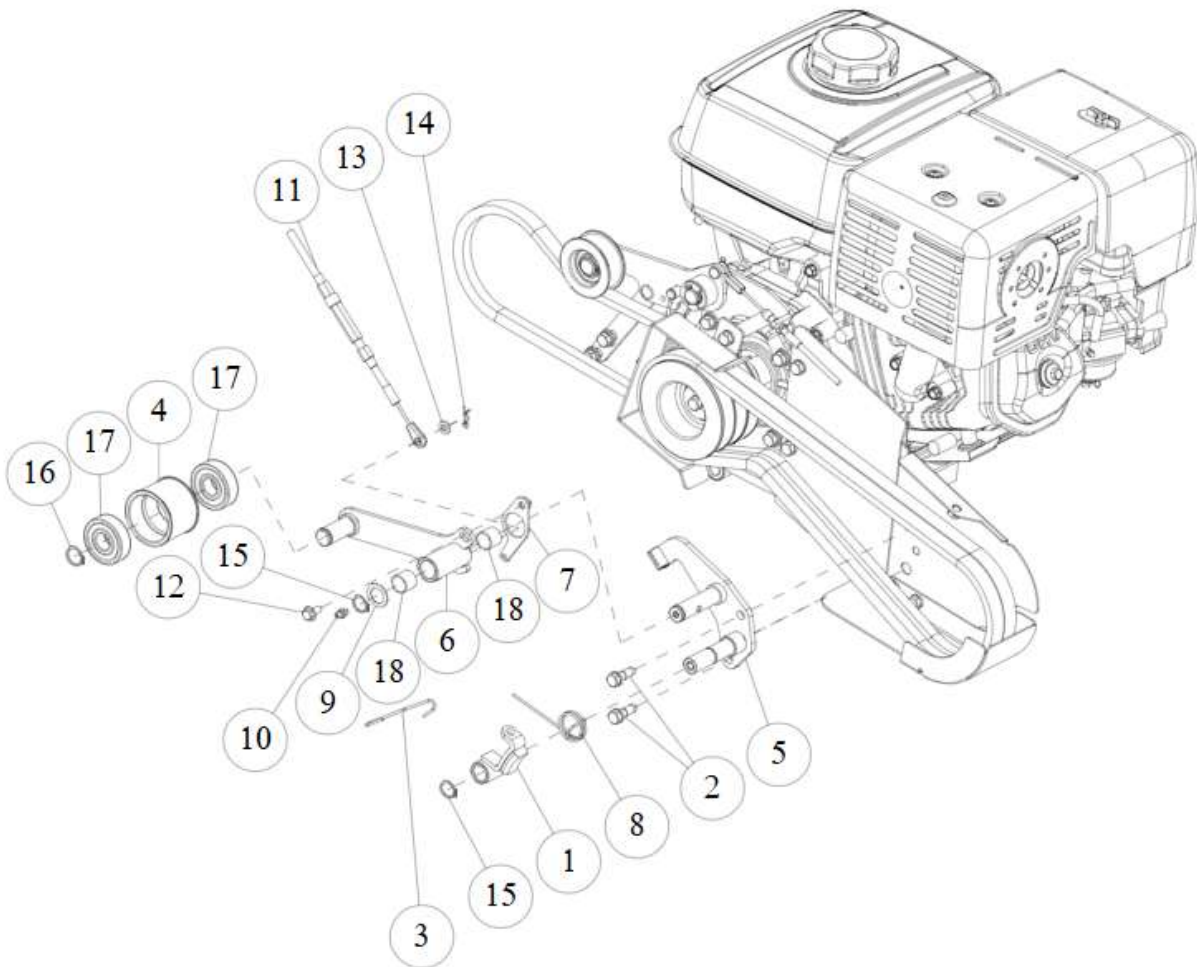
1	0285-60300	Dust Cover	2	
2	80-1614-705-00	Flat Head Bolt M8*18	6	
3	0354-6020H	Blade Shaft Bracket (Metallic Grey)	1	YB
	0354-60206	Blade Shaft Bracket (Blue)	1	IA
	0354-6020G	Blade Shaft Bracket (Green)	1	OR
4	0354-60600	BB Case Cover	1	
5	0354-70500	Set Screw M6 × 6 · Φ 2 (Meck)	2	
6	0940-6011H	Rotary Cover CMP (Metallic Grey)	1	YB
	0940-60116	Rotary Cover CMP (Blue)	1	IA
	0940-6011G	Rotary Cover CMP (Green)	1	OR
7	83-1415-975-00	Grease Nipple M6	2	
8	89-1253-080162	Flange Mini Hexagonal Bolt (8T) M8*16	8	
9	89-1671-080042	Mini Cap Nut M8	6	
10	89-1750-080002	Spring Washer 8	14	
No.	Parts Code No.	Name	Q'ty	Remarks



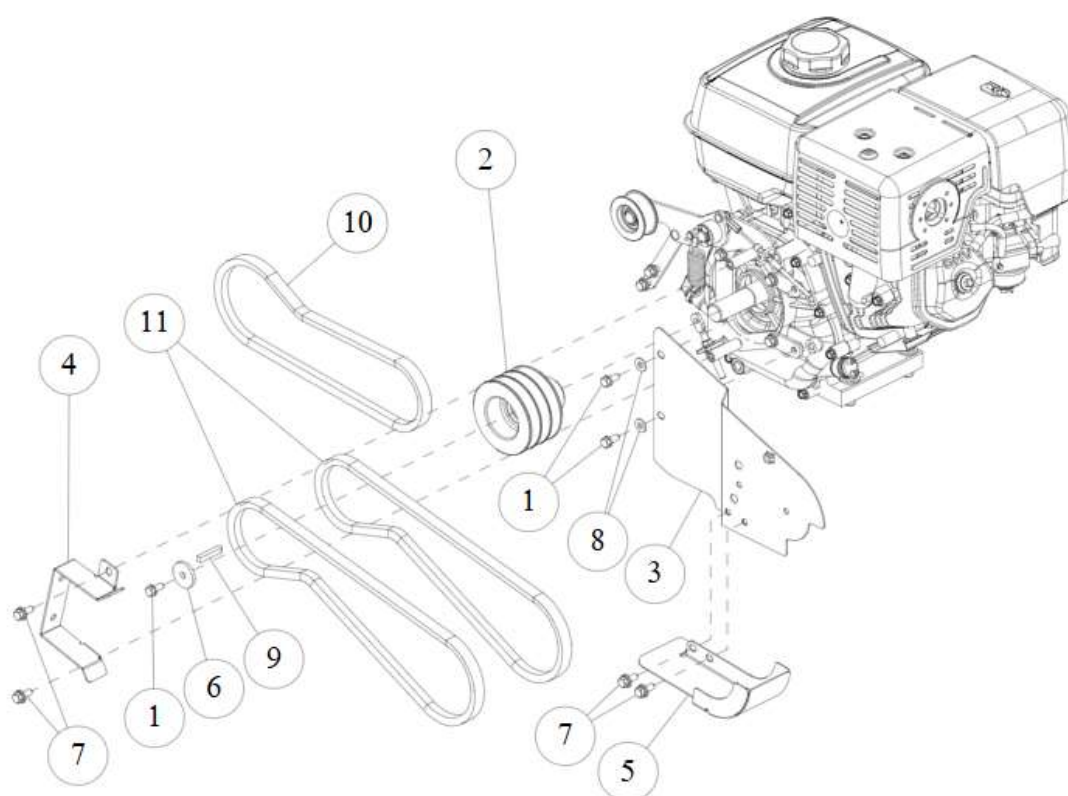
1	0304-70200	Self Lock Nut M10 P1.5	23	
2	0354-5320H	BB Case CMP (Metallic Grey)	1	
3	0354-53000	Knife Drum ASSY	1	
4	0354-56110	Knife Setting Bolt	23	
5	0354-70400	Hummer Knife Blade 6t	46	
6	0940-5050H	BB Case (R) CMP (Metallic Grey)	1	
7	83-1610-124-00	Hexagonal Bolt (8T) M10*25 (Left screw)	1	
8	83-1610-322-00	Washer 10*36*6	1	
9	89-1812-100002	Toothed Washer (inside) 10	1	
10	89-2512-000550	Snap Ring (R55)	1	
11	89-2512-000620	Snap Ring (R62)	1	
12	89-2512-000720	Snap Ring (R72)	2	
13	89-3111-062064	Bearing 6206	1	
14	89-3111-063064	Bearing 6306	1	
15	89-5121-355508	Oil Seal UE 35.55.8	1	
16	89-5121-356210	Oil Seal UE 35.62.10	1	
17	89-5121-507209	Oil Seal UE 50.72.9	1	
No.	Parts Code No.	Name	Q'ty	Remarks



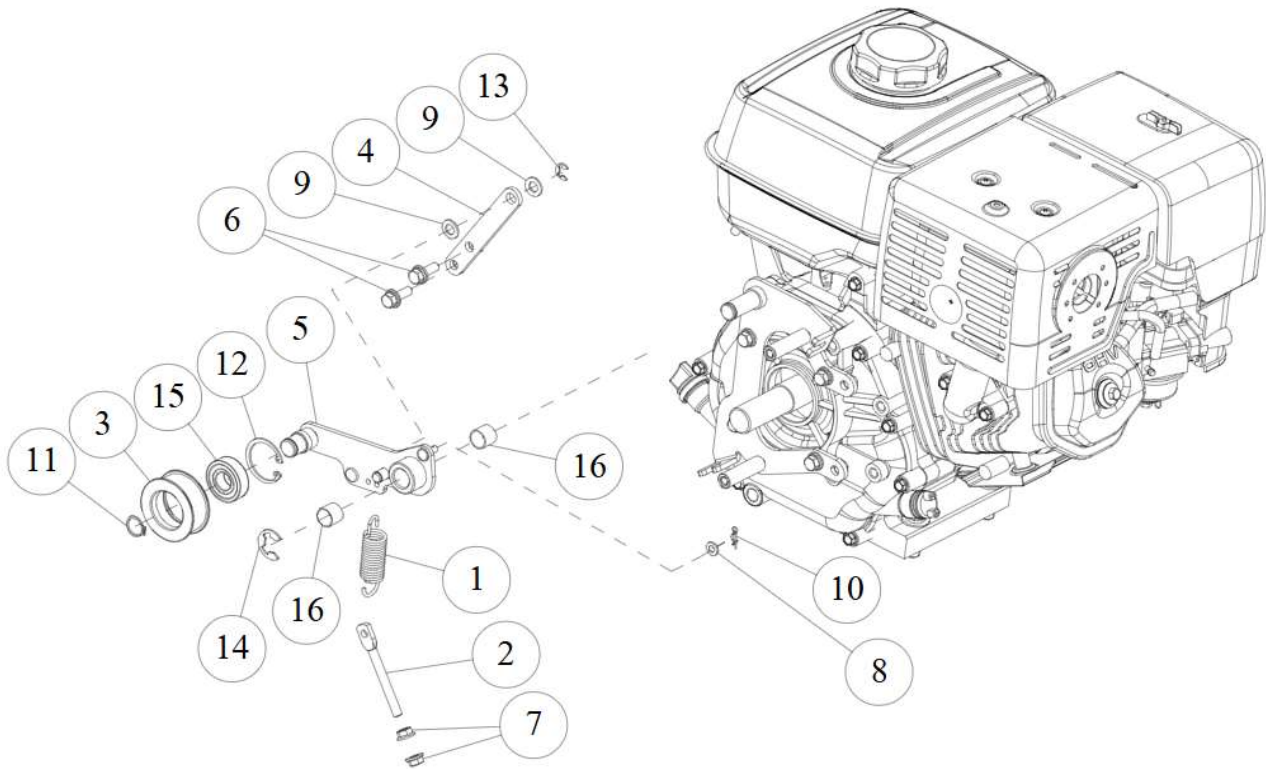
1	0229-61700	Edge Rubber	1	
2	0309-72200	Clip 6	1	
3	0940-2110H	Recoil Cover CMP (Metallic Grey)	1	
4	0940-2120H	Choke Stay (Metallic Grey)	1	
5	0940-2130H	Recoil Cover Cap CMP (Metallic Grey)	1	
6	0940-21400	Recoil Cover Setting Bolt	3	
7	0940-21700	Recoil cover sponge	3	
8	89-1132-060162	Hexagonal Bolt (SW) M6*16	3	
9	-	Flange nut M6	2	Engine parts
10	89-1750-060002	Spring Washer 6	3	
11	-	Starter Assy	1	Engine parts
12	-	Flange bolt M6 × 10	1	Engine parts
No.	Parts Code No.	Name	Q'ty	Remarks



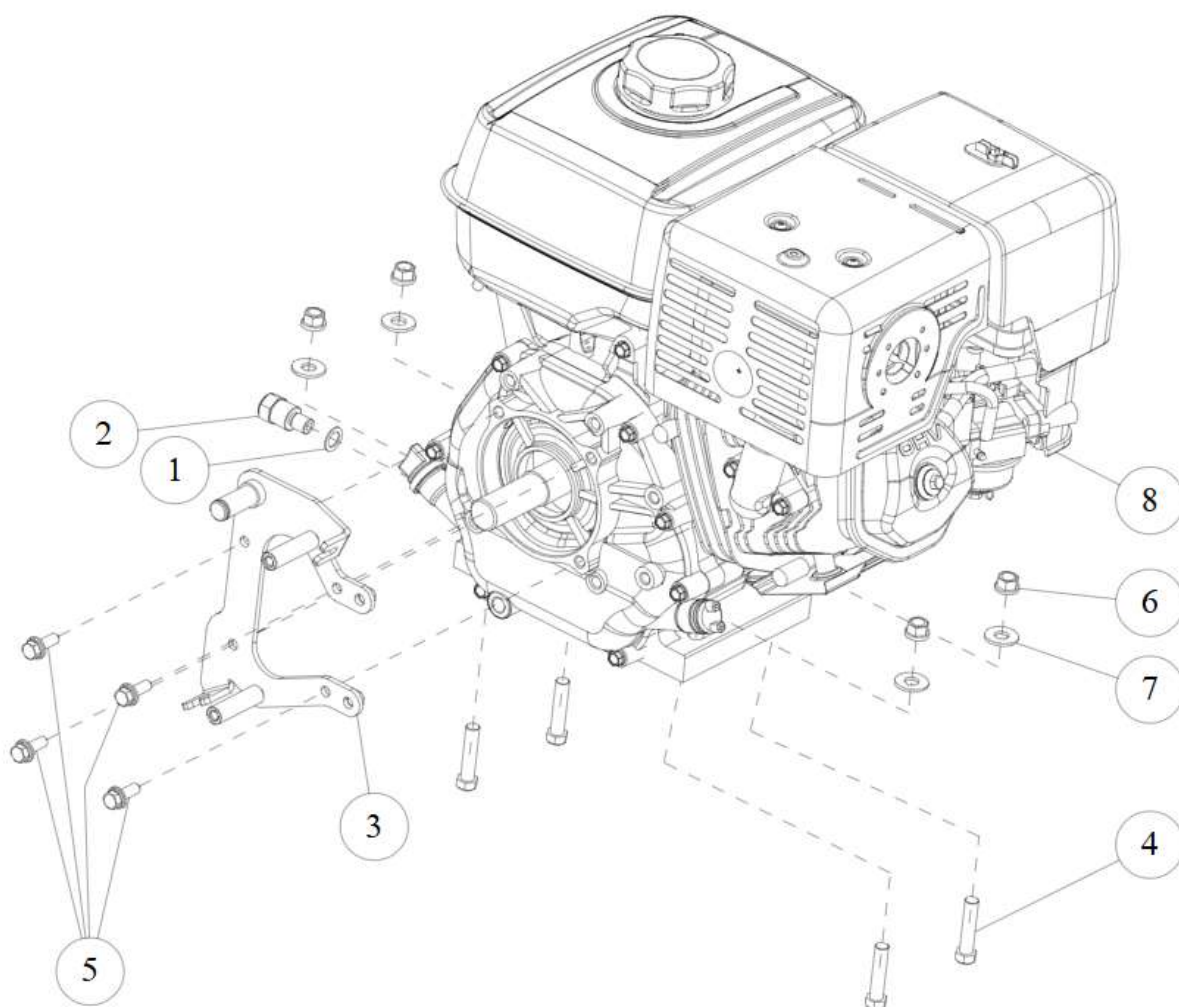
1	0231-37101	Knife Brake (White)	1	
2	0298-72110	Hexagonal Bolt (SW) M8*25 (7T)	2	
3	0320-74100	Brake Rod	1	
4	0940-40400	Tension Pulley	1	
5	0940-4140H	Blade Clutch Stay CMP (Metallic Grey)	1	
6	0940-41501	Tension Arm CMP (White)	1	
7	0940-41900	Brake Stay CMP	1	
8	0940-70700	Blade Brake Return Spring	1	
9	83-1020-363-00	Thrust Washer 16*24*1.0	1	
10	83-1415-975-00	Grease Nipple M6	1	
11	0940-70800	Knife Clutch Wire	1	
12	89-1137-060152	Hexagonal Bolt (PW) M6*15	1	
13	89-1711-060002	Flat Washer 6	1	
14	89-2132-060002	Snap Pin 6 (with stopper)	1	
15	89-2511-000150	Snap Ring (S15)	2	
16	89-2511-000170	Snap Ring (S17)	1	
17	89-3115-063034	Bearing 6303 2RS	2	
18	89-3510-016150	DU Bush 16.15	2	
No.	Parts Code No.	Name	Q'ty	Remarks



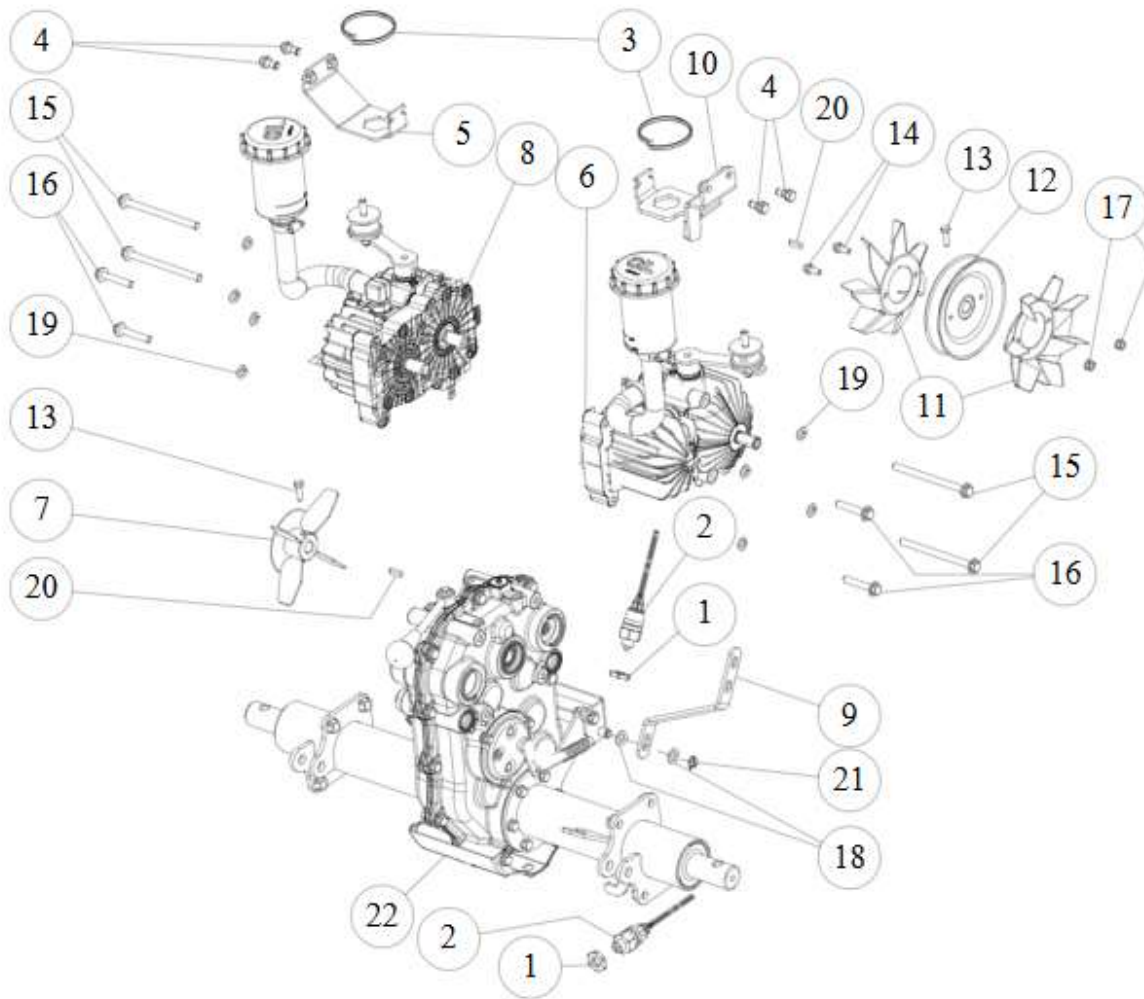
1	0245-74310	Hexagonal Bolt(SW) M8*18 7T (Meck)	3	
2	0940-40100	Engine Pulley	1	
3	0940-4121H	Belt Cover Inside CMP (Metallic Grey)	1	
4	0940-4170H	Belt Guide A (Metallic Grey)	1	
5	0940-4180H	Belt Guide B (Metallic Grey)	1	
6	83-1565-315-00	Washer 8*36*4.5	1	
7	89-1239-080202	Mini Hexagonal Bolt (PWSW) M8*20	4	
8	89-1712-080002	Flat Washer 8	2	
9	89-2151-070400	Key 7*40 (half round)	1	
10	89-6123-003402	V Belt SB-34 (W800)	1	
11	89-6123-004102	V Belt SB-41 W800	2	
No.	Parts Code No.	Name	Q'ty	Remarks



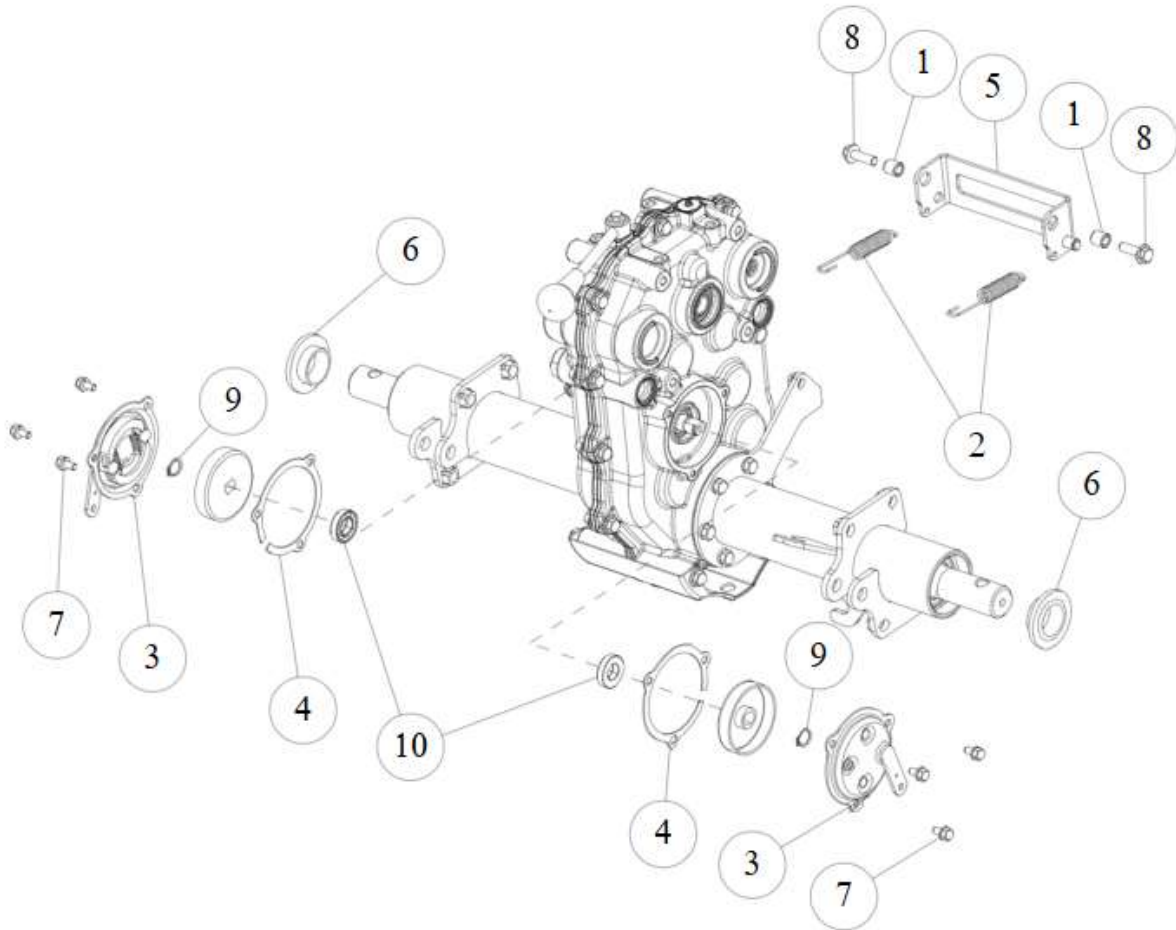
1	80-1485-551-00	Driving Tension Spring	1	
2	0207-72300	Change Brake Adjuster	1	
3	0312-45100	Tension Pulley	1	
4	0939-1180H	Clutch Link Bar (B) (Metallic Grey)	1	
5	0939-4010H	Tension Arm CMP (Metallic Grey)	1	
6	89-1239-080252	Mini Hexagonal Bolt (PWSW) M8*25	2	
7	89-1631-080042	Flange Mini Hexagonal Nut M8	2	
8	89-1711-060002	Flat Washer 6	1	
9	89-1711-100002	Flat Washer 10*18*1.6	2	
10	89-2132-060002	Snap Pin 6 (with stopper)	1	
11	89-2511-000170	Snap Ring (S17)	1	
12	89-2512-000400	Snap Ring (R40)	1	
13	89-2521-000080	E Type Ring 8	1	
14	89-2521-000150	E Type Ring 15	1	
15	89-3115-062034	Bearing 6203 2RS	1	
16	89-3510-016150	DU Bush 16.15	2	
No.	Parts Code No.	Name	Q'ty	Remarks



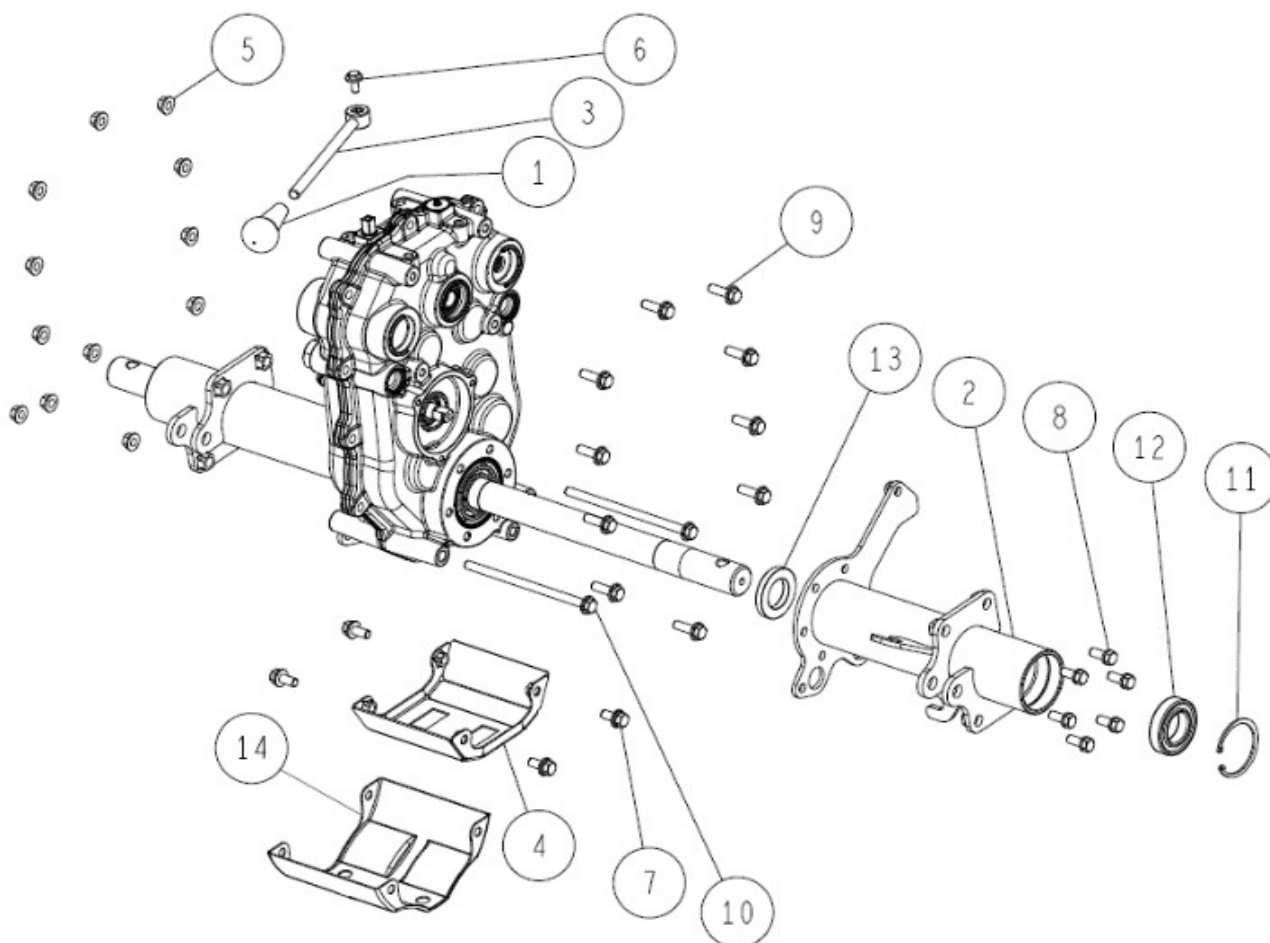
1	0207-74900	Copper Packing 12.5*19*1.0	1	
2	0939-40800	Extension Oil Drain	1	
3	0940-4131H	Drive Tension Stay CMP (Metallic Grey)	1	
4	89-1213-100452	Mini Hexagonal Bolt (8T) M10*45	4	
5	89-1239-080252	Mini Hexagonal Bolt (PWSW) M8*25	4	
6	89-1543-100002	Mini Hexagonal Nut (SW) M10	4	
7	89-1713-100002	Flat Washer 10 (large)	4	
8	-	Engine GX390	1	
No.	Parts Code No.	Name	Q'ty	Remarks



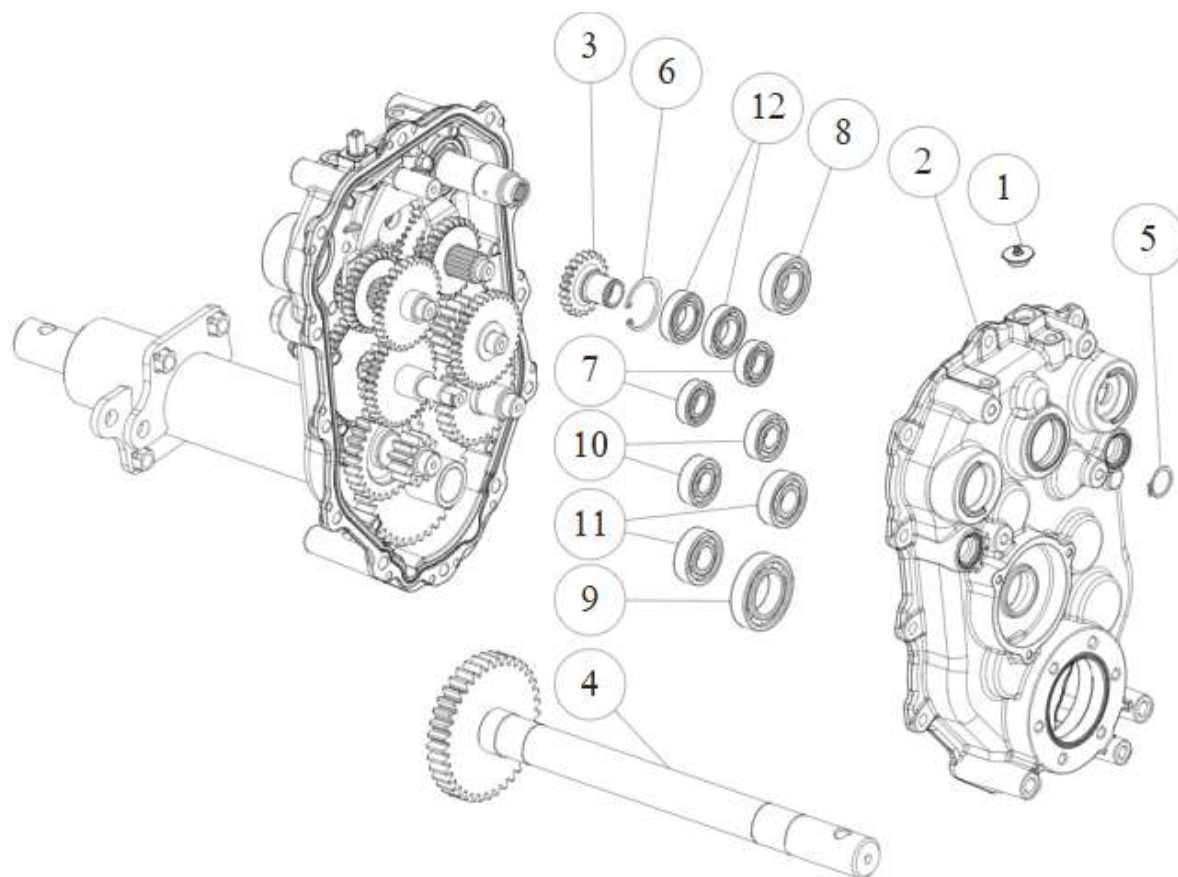
1	0207-72800	Switch Lock Nut	2	
2	0207-74400	Safety Switch K17850	2	
3	0207-79900	Wire Band 250L	2	
4	0245-74310	Hexagonal Bolt(SW) M8*18 7T (Meck)	4	
5	0939-01701	HST Tank Stay CMP (White)	1	
6	0939-07000	HST Unit (R) Assy	1	
7	0939-07401	HST Fan CMP (White)	1	
8	0939-08000	HST Unit (L) Assy	1	
9	0939-1190H	Clutch Link Bar C (Metallic Grey)	1	
10	0940-01101	HST Tank Stay (R) CMP (White)	1	
11	0940-01201	HST Fan (White)	2	
12	0940-01301	HST Pulley CMP (White)	1	
13	89-1113-060202	Hexagonal Bolt (8T) M6*20	2	
14	89-1132-060162	Hexagonal Bolt (SW) M6*16	2	
15	89-1251-081123	Flange Mini Hexagonal Bolt M8*112	4	
16	89-1253-080452	Flange Mini Hexagonal Bolt (8T) M8*45	4	
17	89-1541-060002	Hexagonal Nut (SW) M6	2	
18	89-1711-100002	Flat Washer 10*18*1.6	2	
19	89-1750-080002	Spring Washer 8	8	
20	89-2150-050200	Key 5*20 (round)	2	
21	89-2521-000080	E Type Ring 8	1	
22	0939-01010	Transmission Assy	1	
No.	Parts Code No.	Name	Q'ty	Remarks



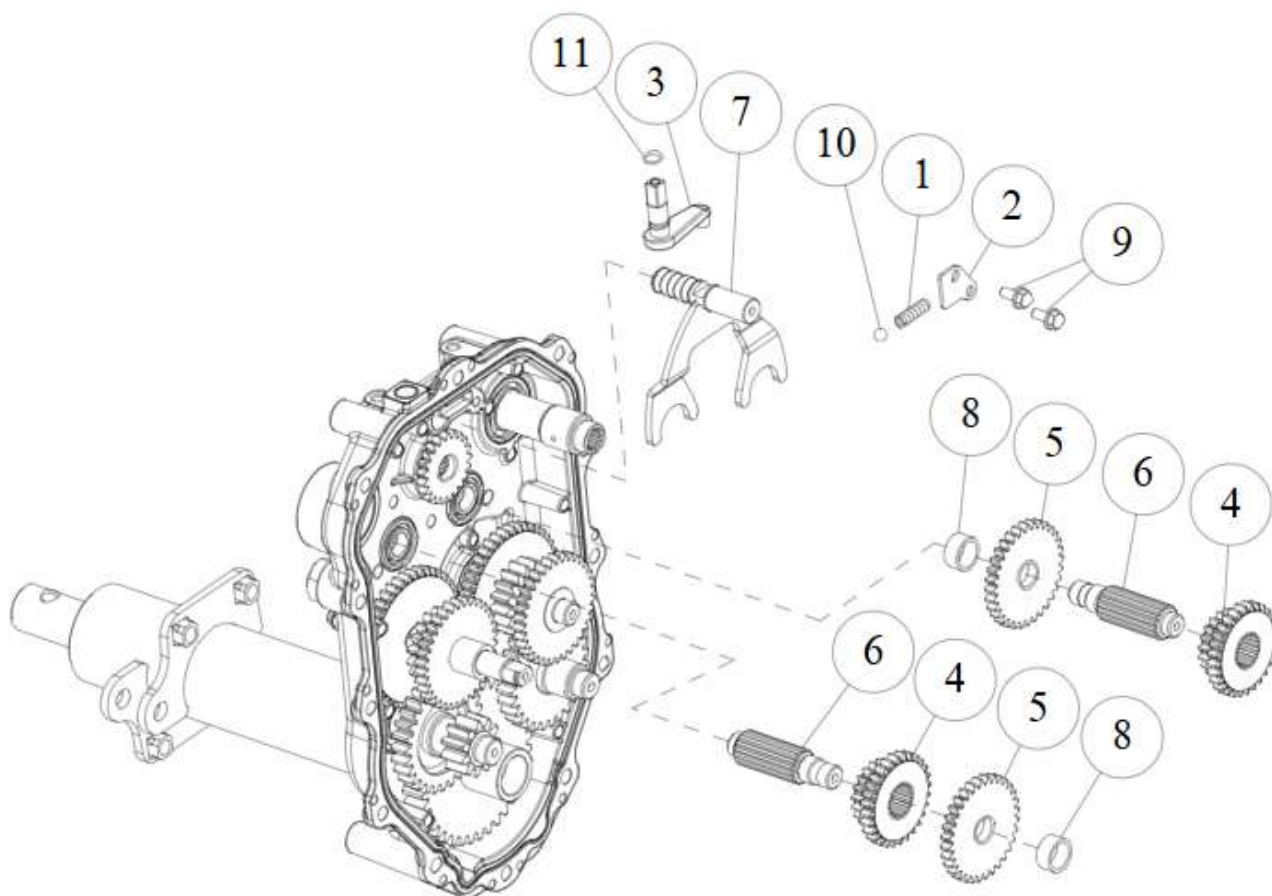
1	80-1020-270-00	Inner Collar	2	
2	80-1614-248-00	Brake Spring	2	
3	80-1614-310-00	Brake Assy	2	
4	0211-31800	Brake Packing (Large)	2	
5	0939-01900	Brake Arm CMP	1	
6	0297-08000	Oil Seal AP 35.55.16	2	
7	89-1132-060122	Hexagonal Bolt (SW) M6*12	6	
8	89-1253-080252	Flange Mini Hexagonal Bolt (8T) M8*25	2	
9	89-2511-000140	Snap Ring (S14)	2	
10	89-5125-153007	Oil Seal UE 15.30.07F	2	
No.	Parts Code No.	Name	Q'ty	Remarks



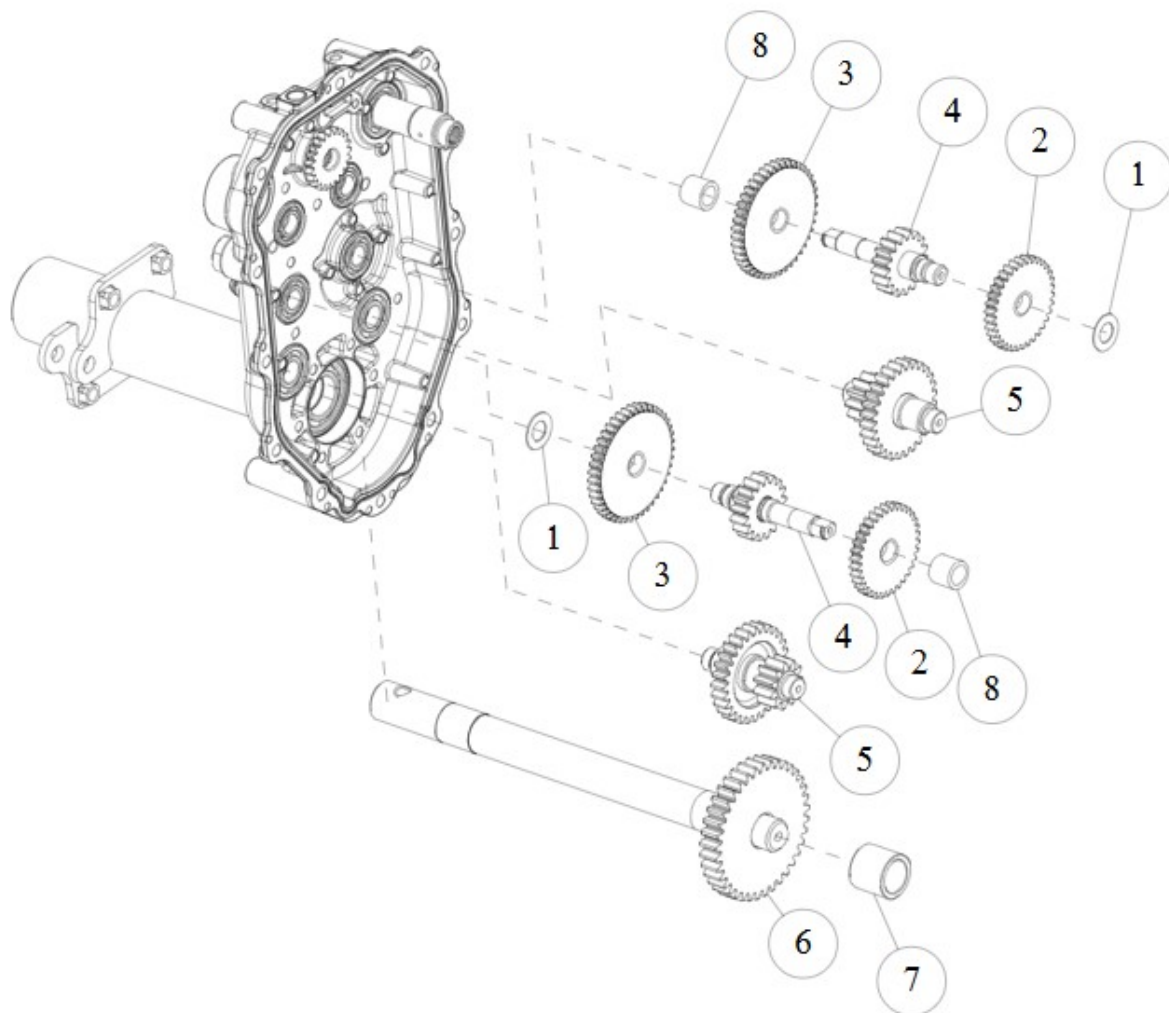
1	0334-70200	Lever Grip 10 (Black)	1	
2	0939-0151H	Axle BB Case (R) CMP (Metallic Grey)	1	CTBDF00128~
	0939-0150H	Axle BB Case (R) CMP (Metallic Grey)	1	~CTBDE00127
3	0939-01800	Change Lever CMP	1	
4	0940-0240H	Transmission Guard CMP (Metallic Grey)	1	CTBDF00128~
5	83-1484-255-00	Lock Nut ZUF M8	12	
6	83-1565-111-00	Hexagonal Bolt (with Big Washer) M6*16	1	
7	89-1233-080202	Mini Hexagonal Bolt (PWSW) M8*20	4	CTBDF00128~
8	89-1238-080202	Mini Hexagonal Bolt (SW) M8*20	6	
9	89-1253-080252	Flange Mini Hexagonal Bolt (8T) M8*25	10	
10	89-1253-081453	Flange Mini Hexagonal Bolt (8T) M8*145	2	
11	89-2512-000550	Snap Ring (R55)	1	
12	89-3115-060064	Bearing 6006 2RS	1	
13	89-5121-305007	Oil Seal UE 30.50.7	1	
14	80-1920-117-0H	Transmission Guard (Metallic Grey)	1	~CTBDE00127
No.	Parts Code No.	Name	Q'ty	Remarks



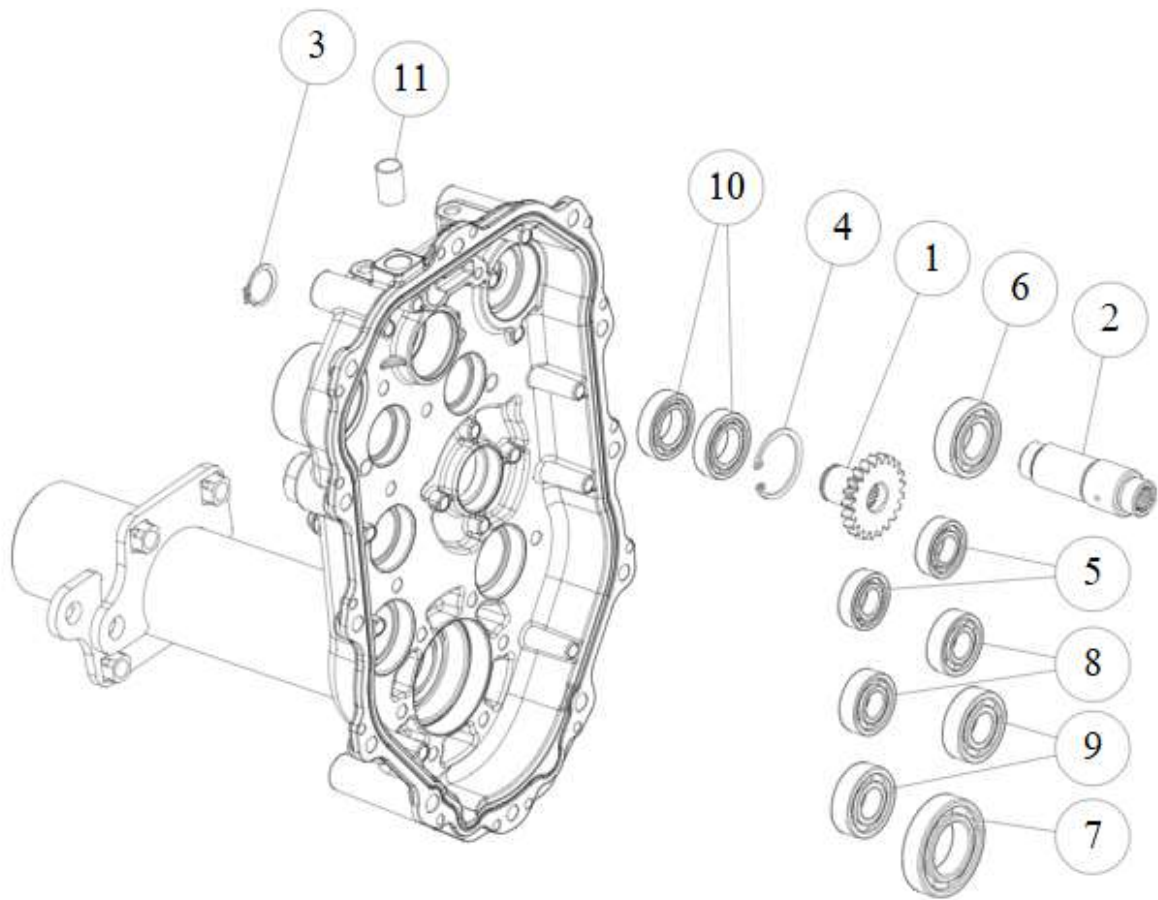
1	0305-70400	SC15-5A(Air Breather)	1	
2	0939-00100	Transmission Case (R)	1	~CTBDK00212
	0939-00110	Transmission Case (R)	1	CTBDK00213~
3	0939-00300	Gear 21T	1	
4	0939-01100	Axle CMP	1	
5	89-2511-000200	Snap Ring (S20)	1	
6	89-2512-000370	Snap Ring (R37)	1	
7	89-3111-060024	Bearing 6002	2	
8	89-3111-060044	Bearing 6004	1	
9	89-3111-060064	Bearing 6006	1	
10	89-3111-062024	Bearing 6202	2	
11	89-3111-062034	Bearing 6203	2	
12	89-3111-069044	Bearing 6904	2	
No.	Parts Code No.	Name	Q'ty	Remarks



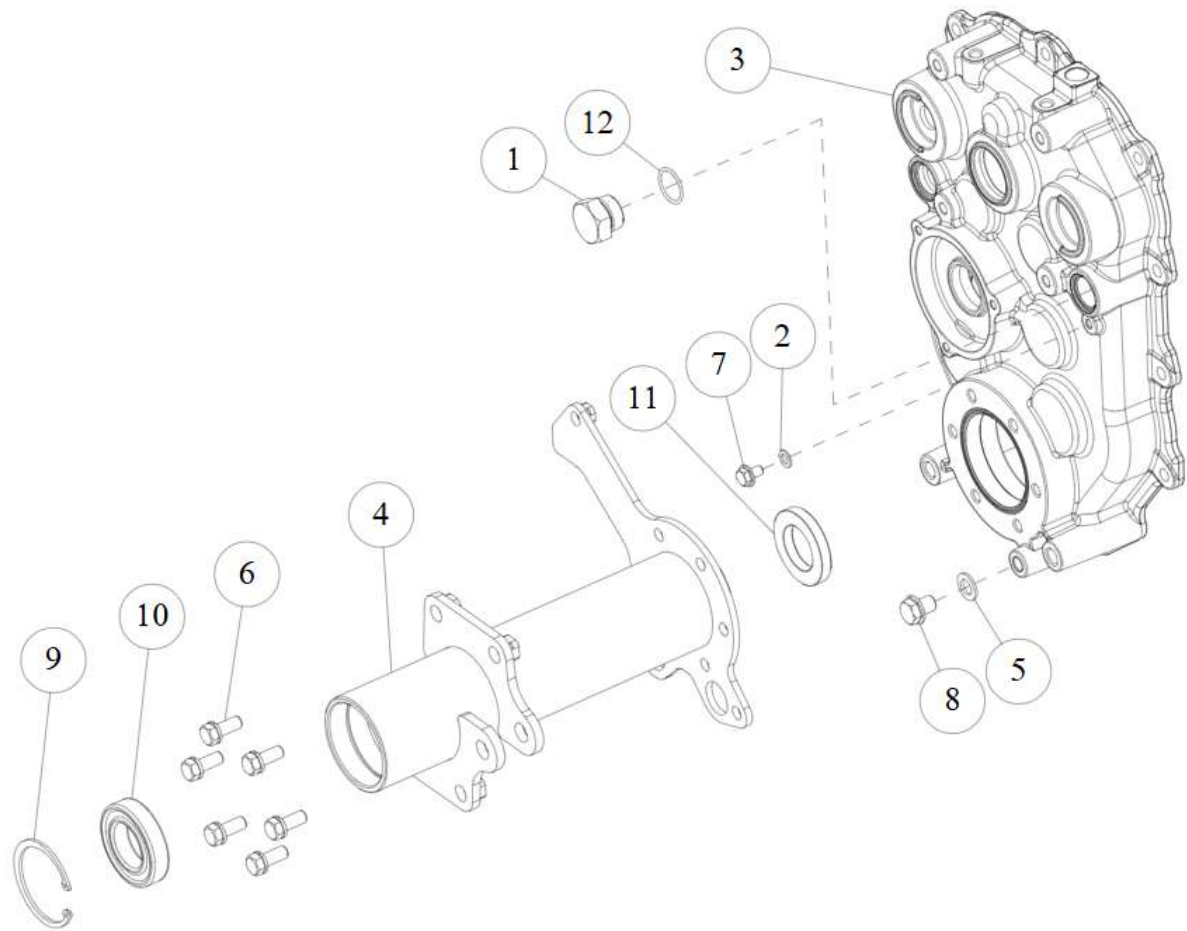
1	80-1210-161-00	Spring (Sub-Change)	1	
2	80-1321-115-00	Shift Spring Holder (B)	1	
3	80-1575-106-00	Swing Arm	1	
4	0312-00700	Shift Gear 19-28	2	
5	0939-00500	B Axle Gear 32T	2	
6	0939-00600	B Axle	2	
7	0939-00900	Shift Fork CMP	1	
8	0939-01200	Collar L10	2	
9	83-1020-148-00	Tapping Bolt M6*14	2	※Taptite points have no threads
10	89-3410-075000	Steel Ball 7.5	1	
11	89-5221-009000	O Ring P9	1	
No.	Parts Code No.	Name	Q'ty	Remarks



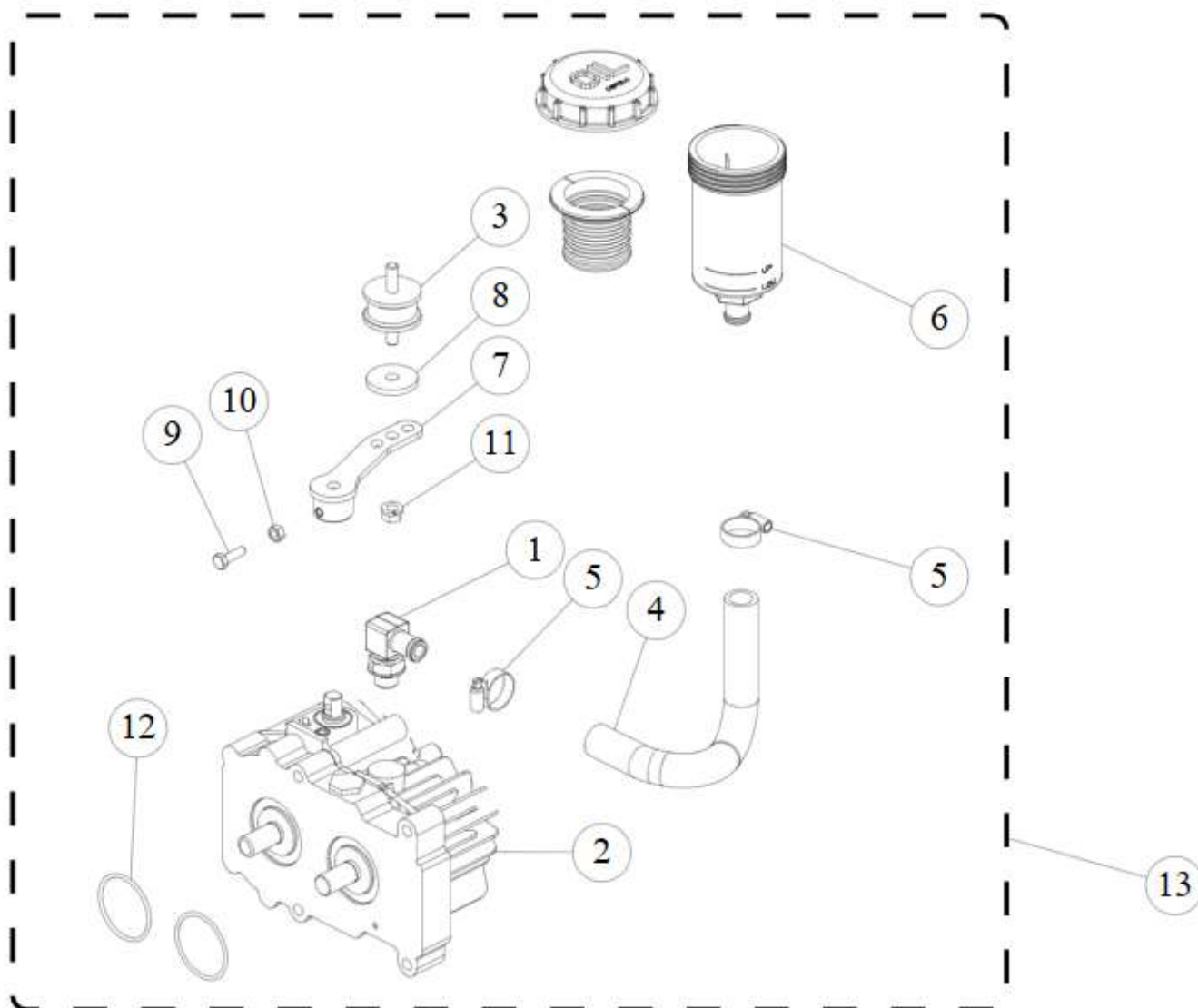
1	0028-70800	Thrust Washer 15*28*1.0	2	
2	0207-01310	Brake Shaft 34T Gear	2	
3	0312-00900	Brake Axle 43T Gear	2	
4	0939-00700	Brake Axle	2	
5	0939-00800	Gear CMP 11-28T	2	
6	0939-01100	Axle CMP	1	
7	0939-01300	Axle Collar	1	
8	0939-01400	Collar L18.4	2	
No.	Parts Code No.	Name	Q'ty	Remarks



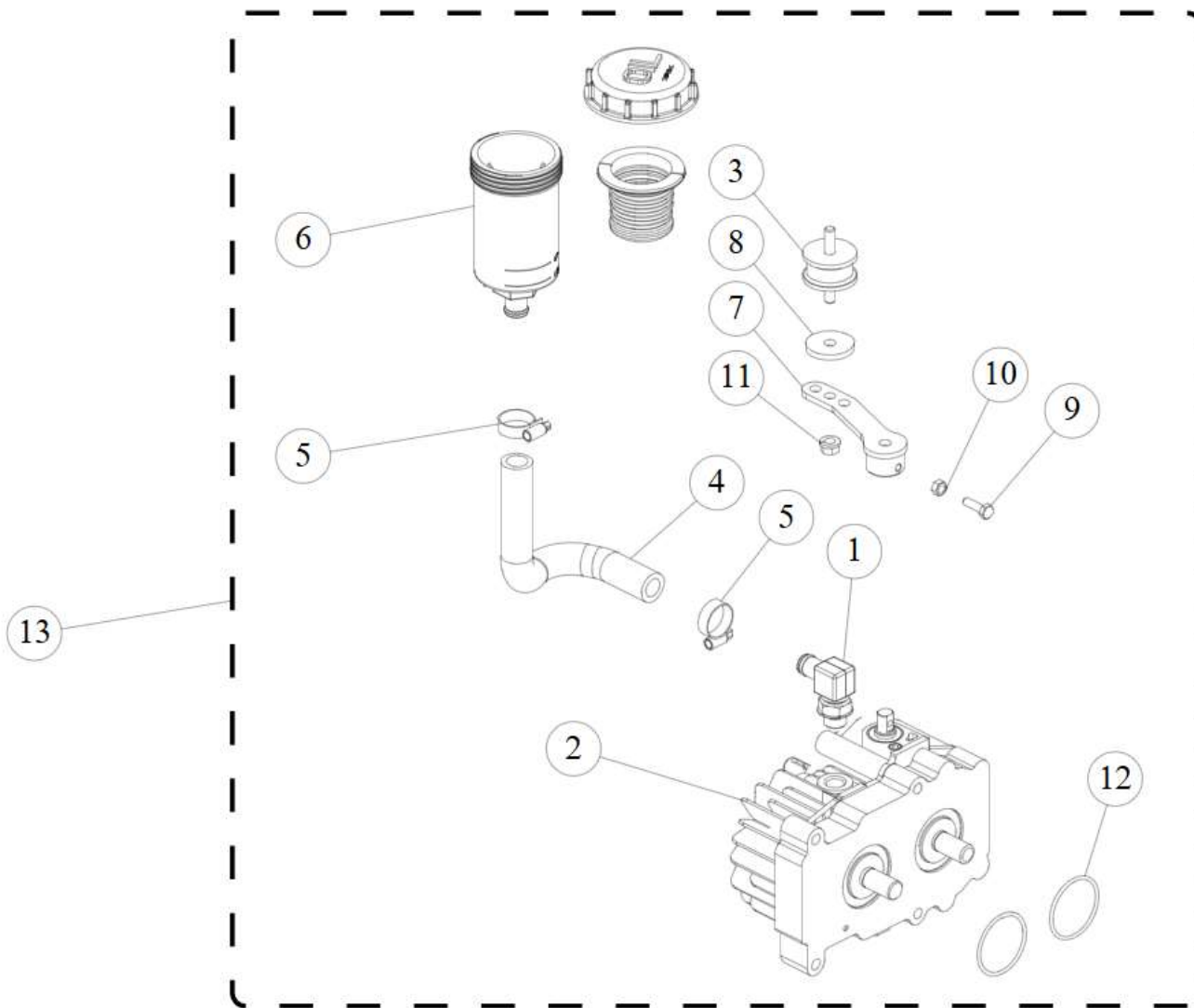
1	0939-00300	Gear 21T	1	
2	0939-00400	A Axle CMP	1	
3	89-2511-000200	Snap Ring (S20)	1	
4	89-2512-000370	Snap Ring (R37)	1	
5	89-3111-060024	Bearing 6002	2	
6	89-3111-060044	Bearing 6004	1	
7	89-3111-060064	Bearing 6006	1	
8	89-3111-062024	Bearing 6202	2	
9	89-3111-062034	Bearing 6203	2	
10	89-3111-069044	Bearing 6904	2	
11	89-3510-012200	DU Bush 12.20	1	
No.	Parts Code No.	Name	Q'ty	Remarks



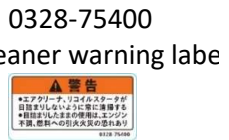
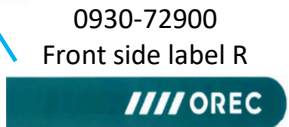
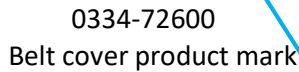
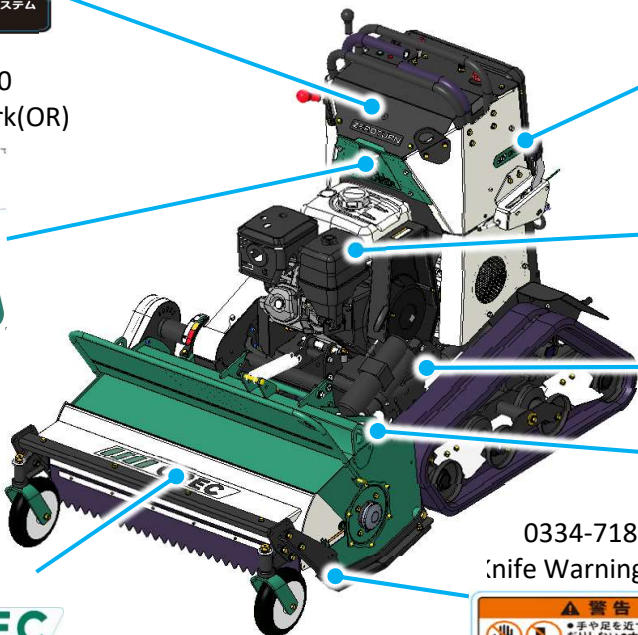
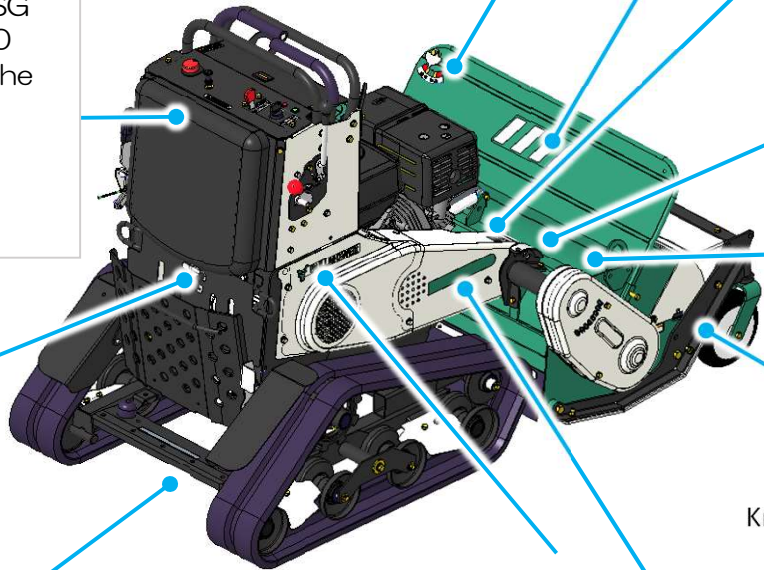
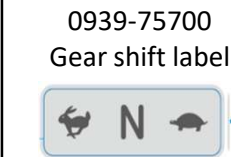
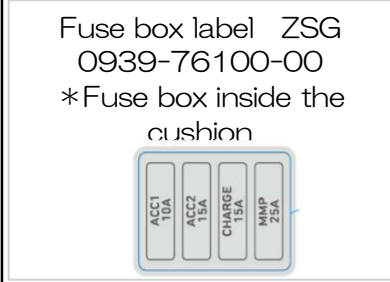
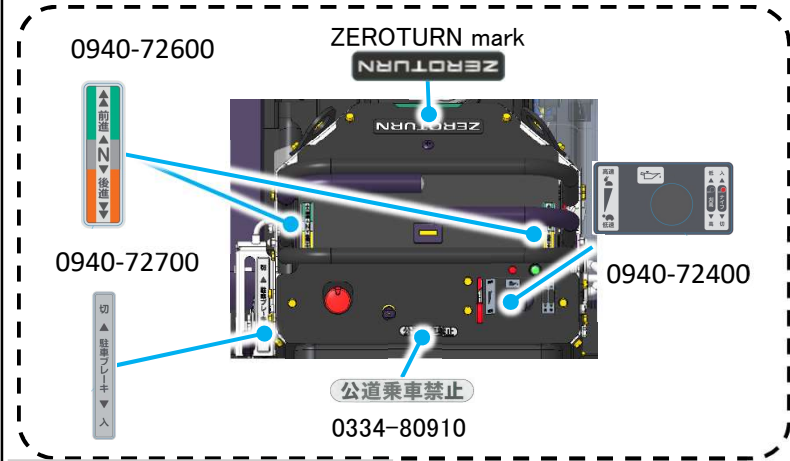
1	80-1032-119-00	Oil Cock M22	1	
2	0013-70800	Copper Packing 6	1	
3	0939-00200	Transmission Case (L)	1	~CTBDK00212
	0939-00210	Transmission Case (L)	1	CTBDK00213~
4	0939-0160H	Axle BB Case (L) CMP (Metallic Grey)	1	~CTBDE00127
	0939-0161H	Axle BB Case (L) CMP (Metallic Grey)	1	CTBDF00128~
5	83-1020-349-00	Copper Packing 10.5*18*1.6	1	
6	89-1238-080202	Mini Hexagonal Bolt (SW) M8*20	6	
7	89-1251-060102	Flange Hexagonal Bolt M6*10	1	
8	89-1252-100122	Flange Mini Hexagonal Bolt M10*12 (slende	1	
9	89-2512-000550	Snap Ring (R55)	1	
10	89-3115-060064	Bearing 6006 2RS	1	
11	89-5121-305007	Oil Seal UE 30.50.7	1	
12	89-5221-020000	O Ring P20	1	
No.	Parts Code No.	Name	Q'ty	Remarks



1	0207-07700	Port Joint	1	
2	-	HST unit R	1	
3	0239-23100	Antivibration Rubber 40	1	
4	0244-72700	HST Oil Hose	1	
5	0312-74400	Hose Band 16-25	2	
6	0320-06000	Oil Tank ASSY (with Black Cap)	1	
7	0939-02100	Control Arm (R) CMP	1	
8	83-1565-315-00	Washer 8*36*4.5	1	
9	89-1113-060202	Hexagonal Bolt (8T) M6*20	1	
10	89-1511-060042	Hexagonal Nut M6	1	
11	89-1543-080002	Mini Hexagonal Nut (SW) M8	1	
12	89-5222-045000	O Ring G45	2	
13	0939-07000	HST Unit (R) Assy	1	
No.	Parts Code No.	Name	Q'ty	Remarks



1	0207-07700	Port Joint	1	
2	-	HST Unit L	1	
3	0239-23100	Antivibration Rubber 40	1	
4	0244-72700	HST Oil Hose	1	
5	0312-74400	Hose Band 16-25	2	
6	0320-06000	Oil Tank ASSY (with Black Cap)	1	
7	0939-02200	Control Arm (L) CMP	1	
8	83-1565-315-00	Washer 8*36*4.5	1	
9	89-1113-060202	Hexagonal Bolt (8T) M6*20	1	
10	89-1511-060042	Hexagonal Nut M6	1	
11	89-1543-080002	Mini Hexagonal Nut (SW) M8	1	
12	89-5222-045000	O Ring G45	2	
-	0939-08000	HST Unit (L) Assy	1	
No.	Parts Code No.	Name	Q'ty	Remarks



0334-72700 Guard Cover Mark



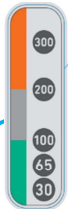
0940-74100 Inclination Label



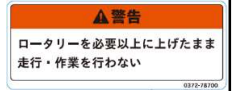
0940-72500 Cutting height label



0940-72900 Cutting height label



0372-78700 Rotary Warning Label



0334-71800 Knife Warning Label



0930-72900 Front side label R



0930-71900

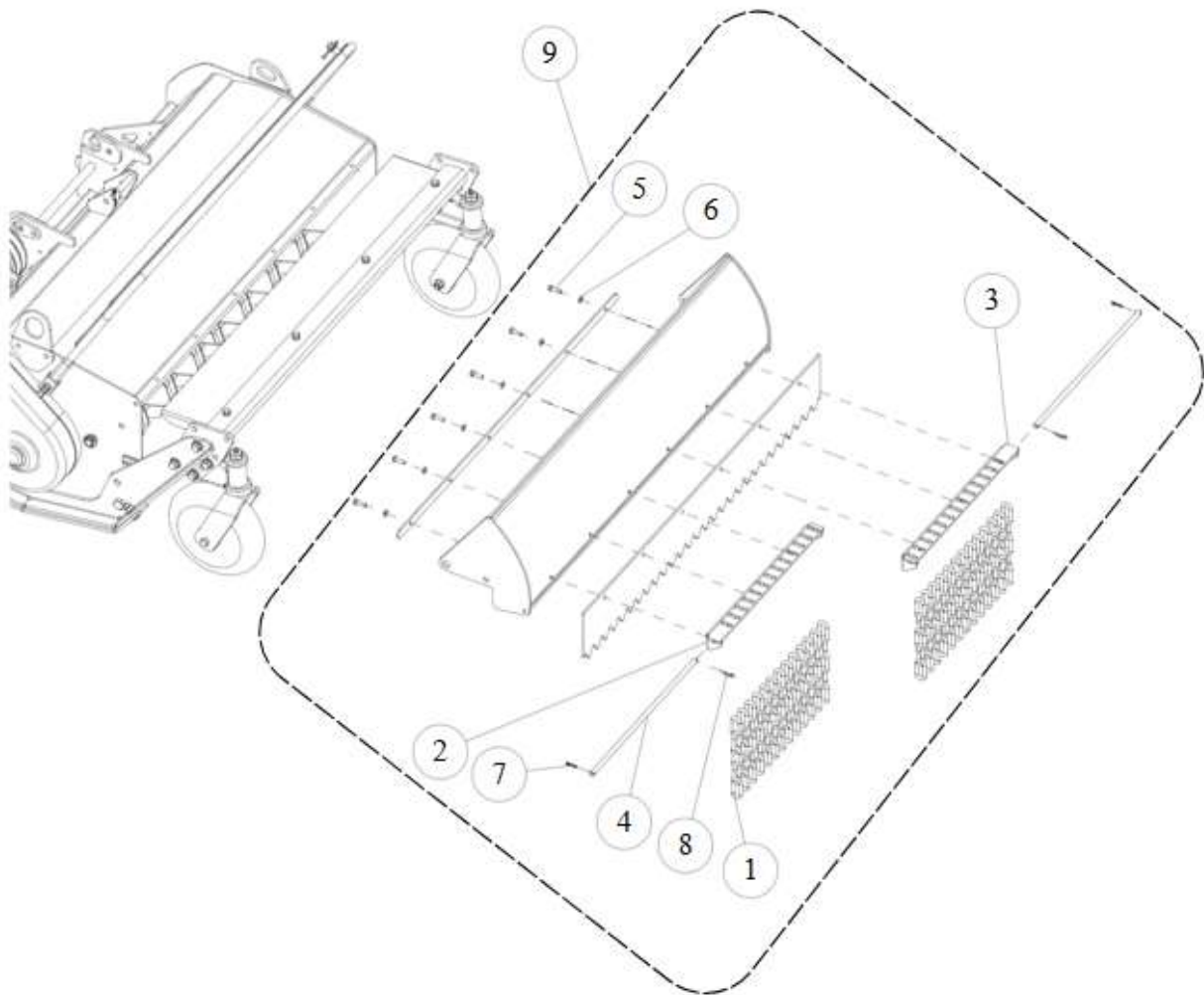


0328-75400 Air cleaner warning label

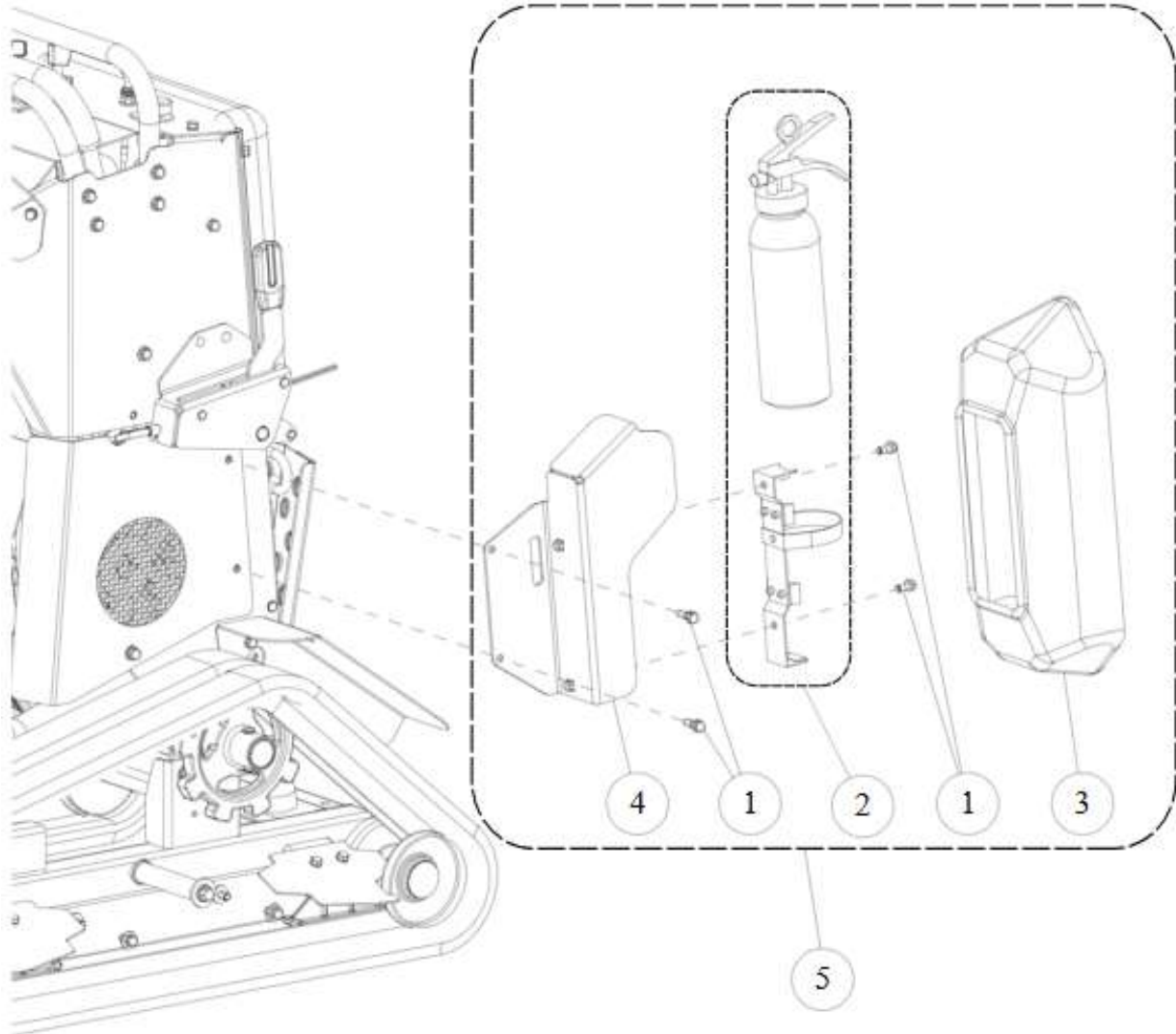


0940-72800 ZHR Warning Label





1	0940-81100	Chain $\Phi 6.5 \times 5L$	26	
2	0940-81200	Chainstay L CMP	1	
3	0940-81300	Chainstay R CMP	1	
4	0940-81400	Chainshaft	2	
5	89-1113-060202	Hex Bolt (8T) M6 \times 20	6	
6	89-1711-060002	Flat Washer 6 \times 13 \times 1.0	6	
7	89-2120-250152	Cotter Pin 2.5 \times 25	2	
8	89-2131-080002	Rear Pin 8	2	
9	0940-81000	Chain Guard Set	1	Incl. 1,2,3,4,5,6,7,8
No.	Parts Code No.	Name	Q'ty	Remarks



1	0298-72110	Meck Bolt (SW) M8 x 25 (7T)	4	
2	0335-81200	PAN-3AG Fire Extinguisher	1	
3	0335-81400	Fire Extinguisher Cover	1	
4	0940-8210H	Fire Extinguisher Mounting CMP	1	
5	0940-82000	Fire Extinguisher Set	1	Incl. 1,2,3,4,
No.	Parts Code No.	Name	Q'ty	Remarks