

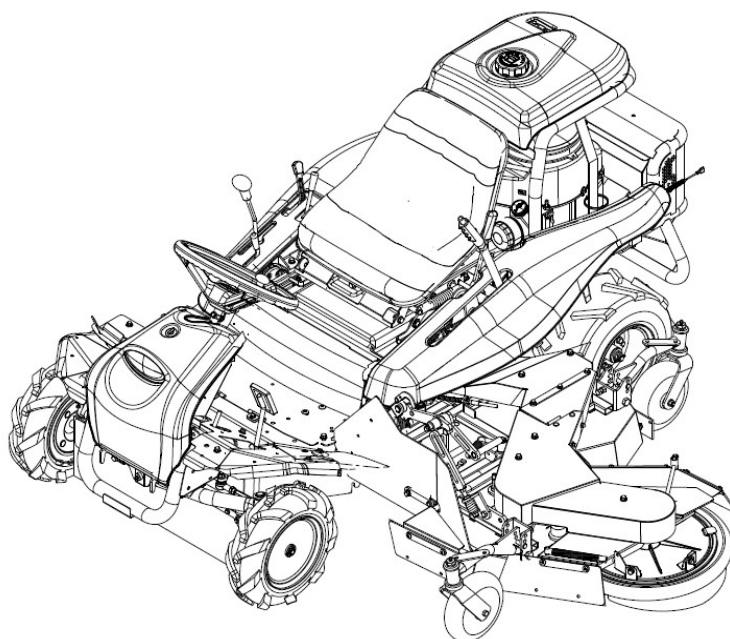
OREC

Issued No. RMK180-06

Parts catalogue

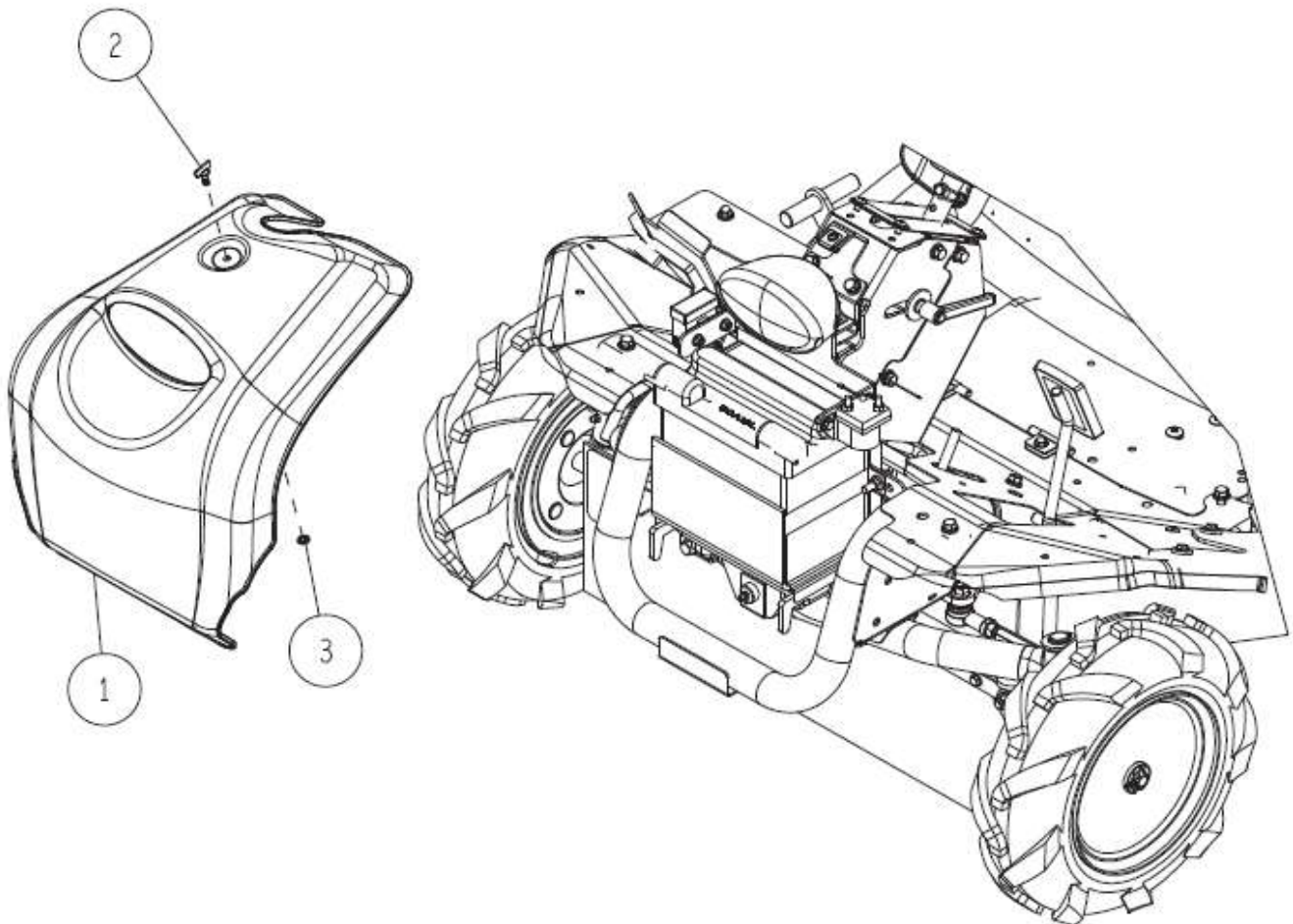
Rabbit Mower

RMK180 RMK180X

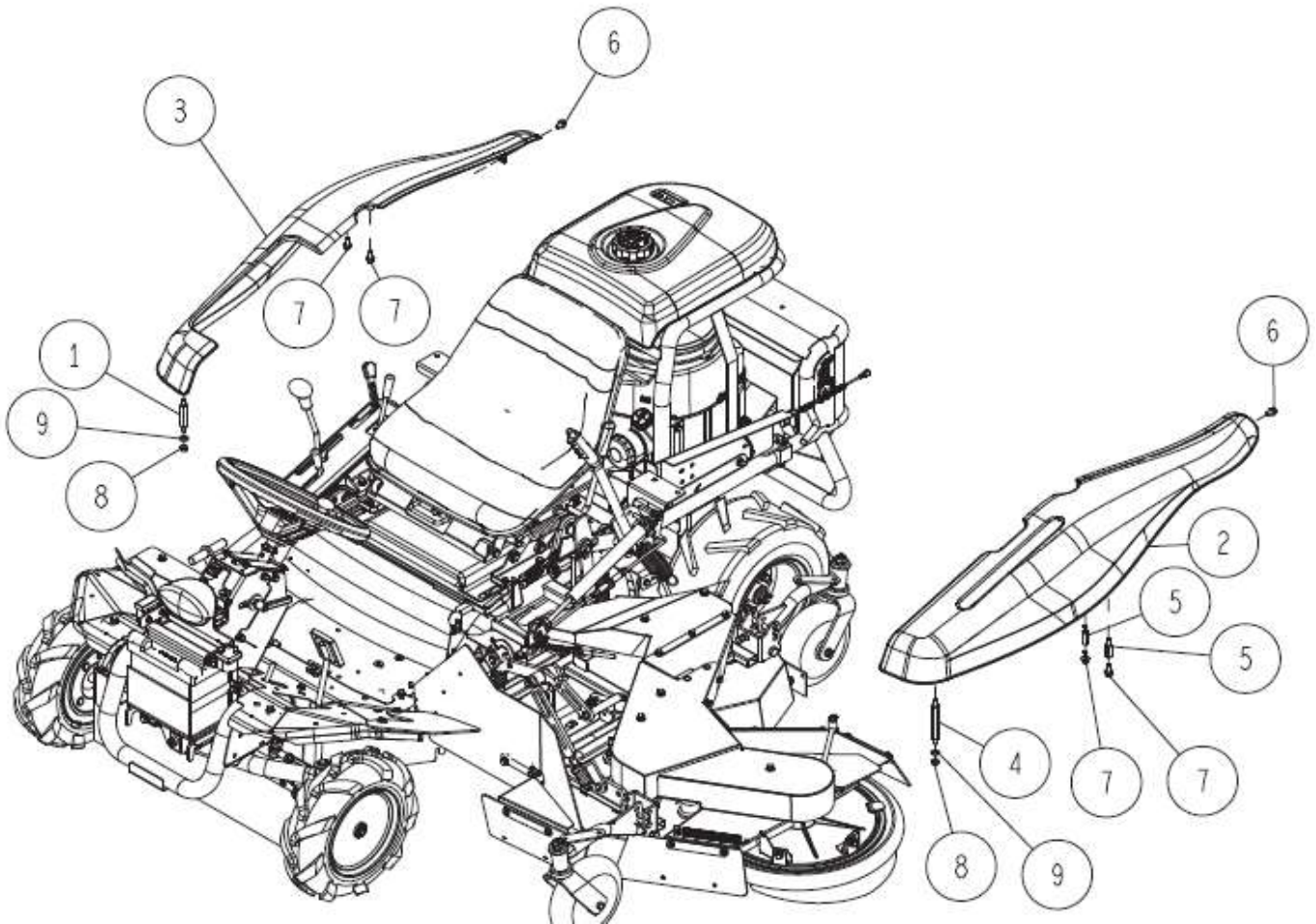


《目 次》

Frame part	1
Transmission & HST	17
Handle Part	26
Front Part	30
Tire Part	34
Control part	35
Cutting Part	39
Middle Cover	47
Cutting Offset	52
Seat Part	61
Engine Part	65
Label Part	69



1	0322-70900	Front Cover	1	OR
2	0322-71200	Wing Stud ϕ 6*14	1	
3	0322-71700	Retainer	1	
Ref.	Parts Number	Parts Name	Q'ty	Remarks

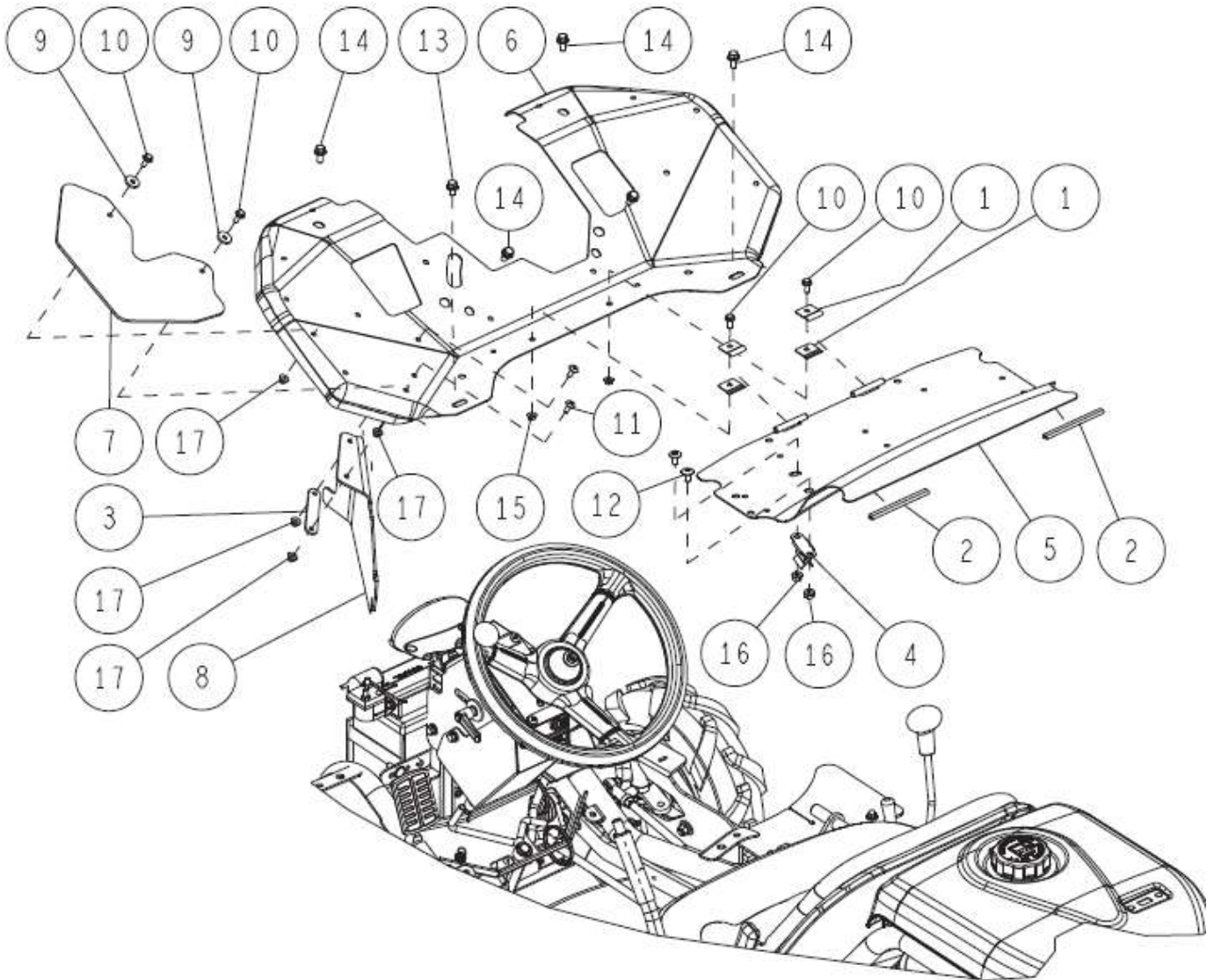


1	0267-40900	Double Spring Bolt M	1	
2	0342-73600	Side Cover (L) (White)	1	OR
3	0342-73500	Side Cover (R) (White)	1	OR
4	0329-71100	Double Spring Bolt 85L	1	
5	0919-01200	Belt Cover Setting Bolt A	2	
6	89-1233-080162	Mini Hexagonal Bolt (PWSW) M8*16	2	
7	89-1233-080202	Mini Hexagonal Bolt (PWSW) M8*20	4	
8	89-1543-080002	Mini Hexagonal Nut (SW) M8	2	
9	89-1714-080002	Flat Washer 8	2	
Ref.	Parts Number	Parts Name	Q'ty	Remarks

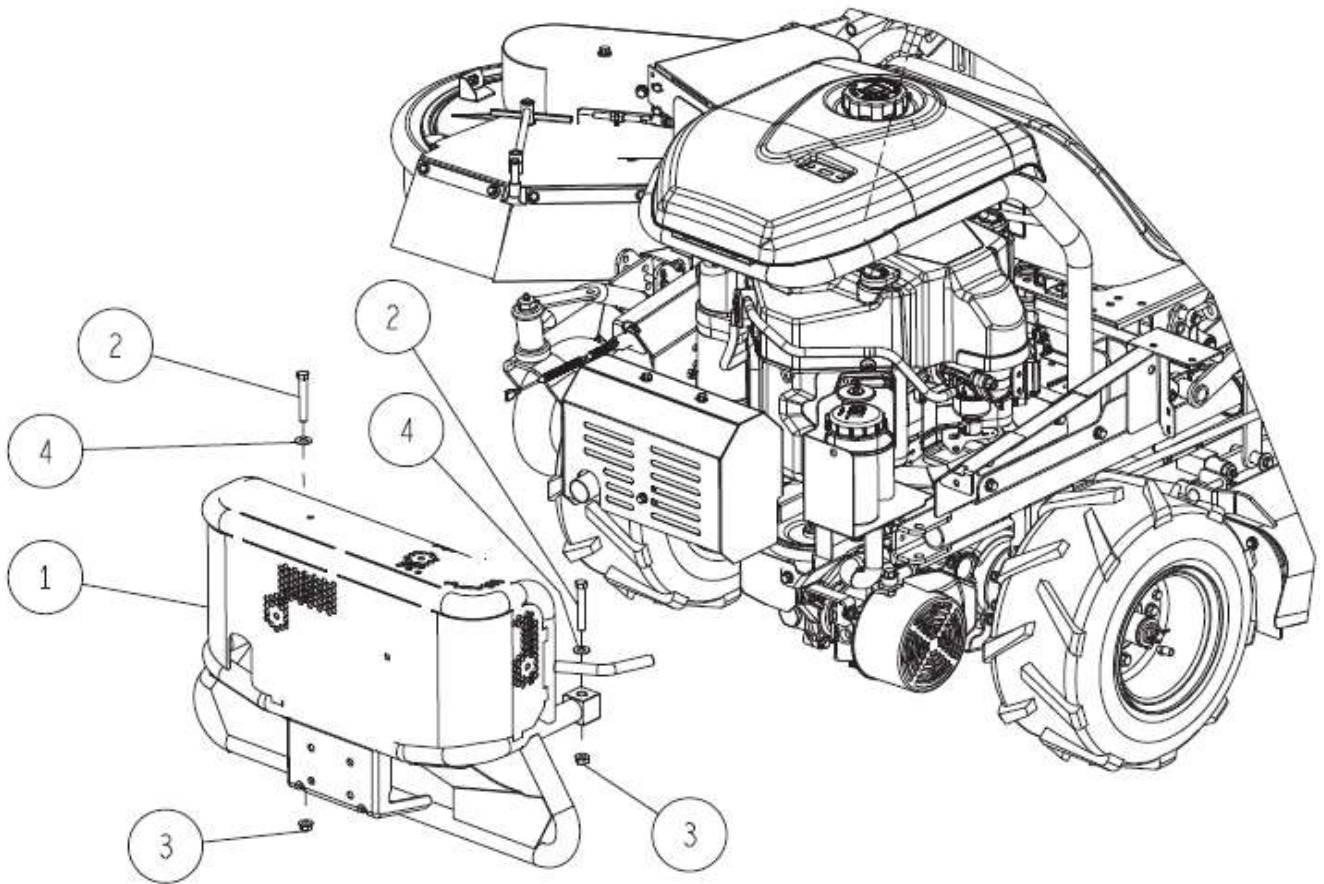


1	0341-1040H	Pedal Stay CMP (Metallic Grey)	1	
2	0341-70200	Change Pedal Rubber	1	
3	0342-1020H	Change Pedal CMP (Metallic Grey)	1	
4	0349-70100	Step Rubber	1	
5	83-1484-369-00	Clip (5347)	18	
6	83-1515-975-00	Grease Nipple C-Type M6	1	
7	89-1233-080202	Mini Hexagonal Bolt (PWSW) M8*20	2	
8	89-2521-000120	E Type Ring 12	1	
9	89-3510-016250	DU Bush 16.25	2	
Ref.	Parts Number	Parts Name	Q'ty	Remarks

4/70 Frame 4/16

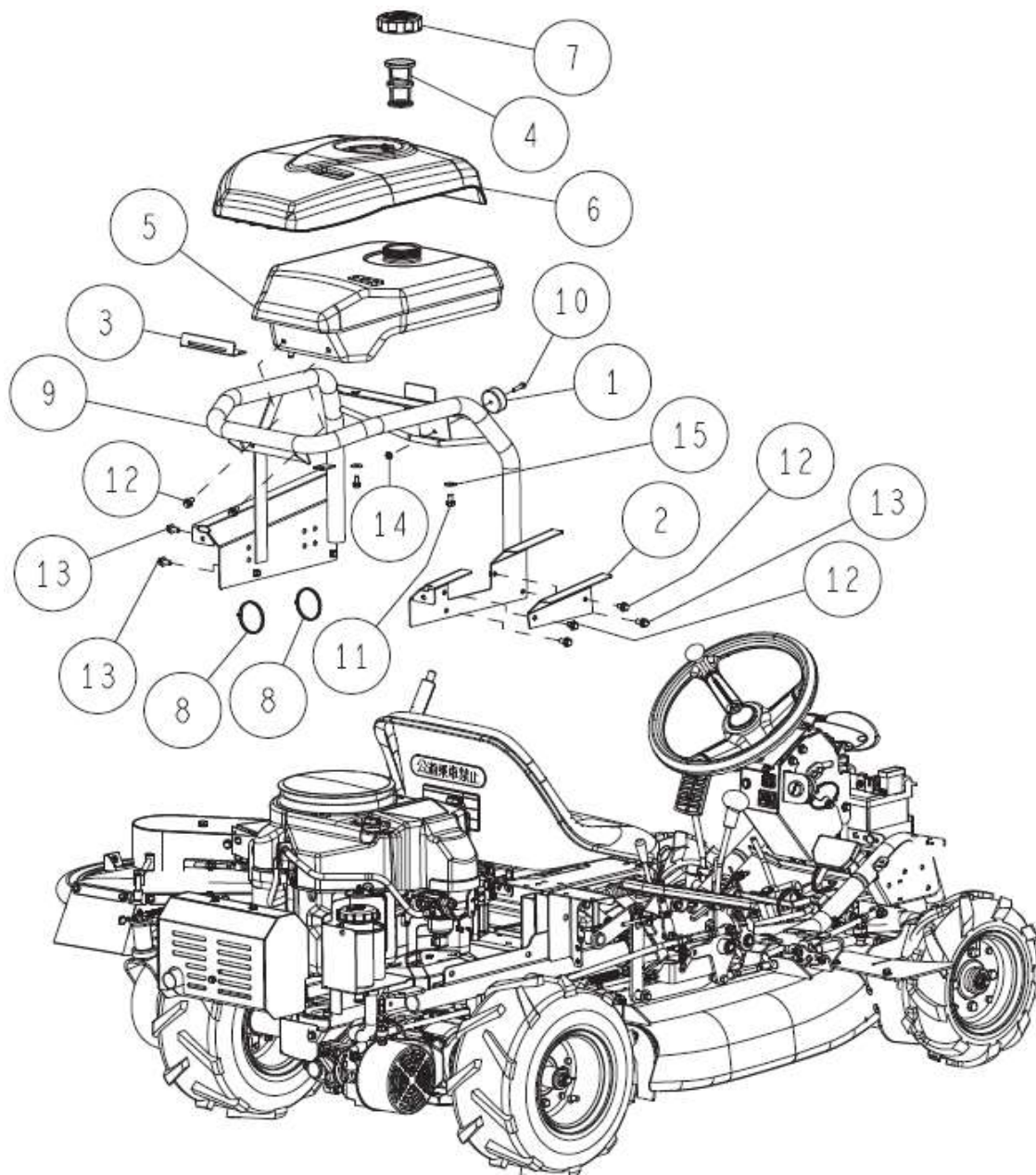


1	0028-70500	Center Step Hinge	4	
2	0301-60400	Rubber 110L	2	
3	0303-5660H	Flapper Holder C-3 (Metallic Grey)	1	
4	0312-70700	Bonnet Clip	1	
5	0348-2520G	Center Step CMP (Green)	1	OR
6	0349-2510G	Step CMP (Green)	1	OR
7	0356-25300	Protector Flapper	1	
8	0356-25500	Left Front Wheel Flapper	1	
9	83-1482-311-00	Washer 6.5*22*3.2	2	
10	89-1137-060172	Hexagonal Bolt (PW) M6*17	4	
11	89-1159-060168	Truss Mini Screw M6*16	2	
12	89-1159-080168	Truss Mini Screw M8*16	2	
13	89-1233-080162	Mini Hexagonal Bolt (PWSW) M8*16	1	
14	89-1233-080202	Mini Hexagonal Bolt (PWSW) M8*20	5	
15	89-1531-060042	Flange Nut M6	2	
16	89-1543-080002	Mini Hexagonal Nut (SW) M8	2	
17	89-1581-060042	Flange Cap Nut M6	4	
Ref.	Parts Number	Parts Name	Q'ty	Remarks

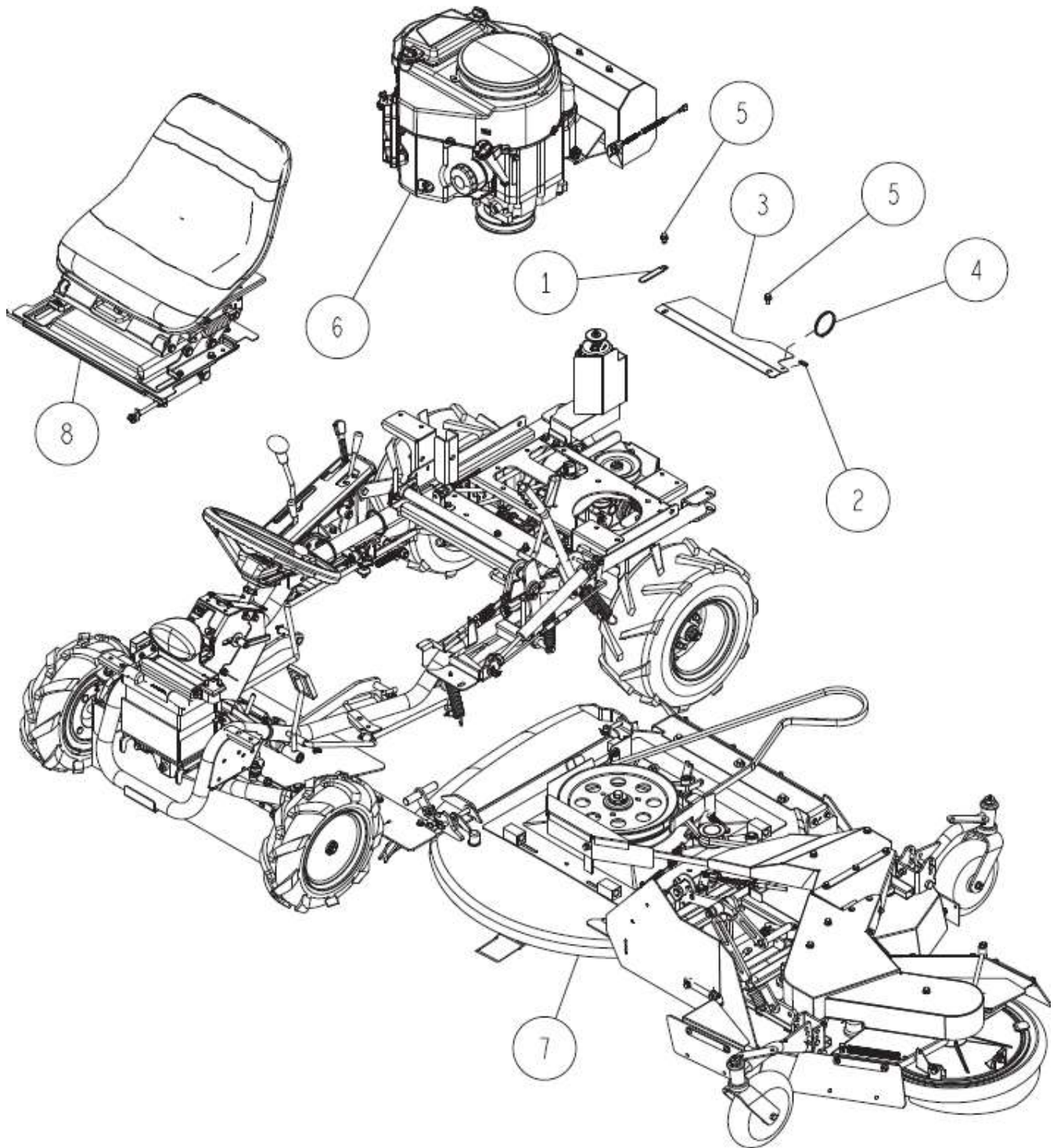


1	0348-2020G	Sub Frame CMP (Green)	1	OR
2	89-1213-100652	Mini Hexagonal Bolt (8T) M10*65	2	
3	89-1631-100042	Flange Mini Hexagonal Nut M10	2	
4	89-1714-100002	Flat Washer 10	2	
Ref.	Parts Number	Parts Name	Q'ty	Remarks

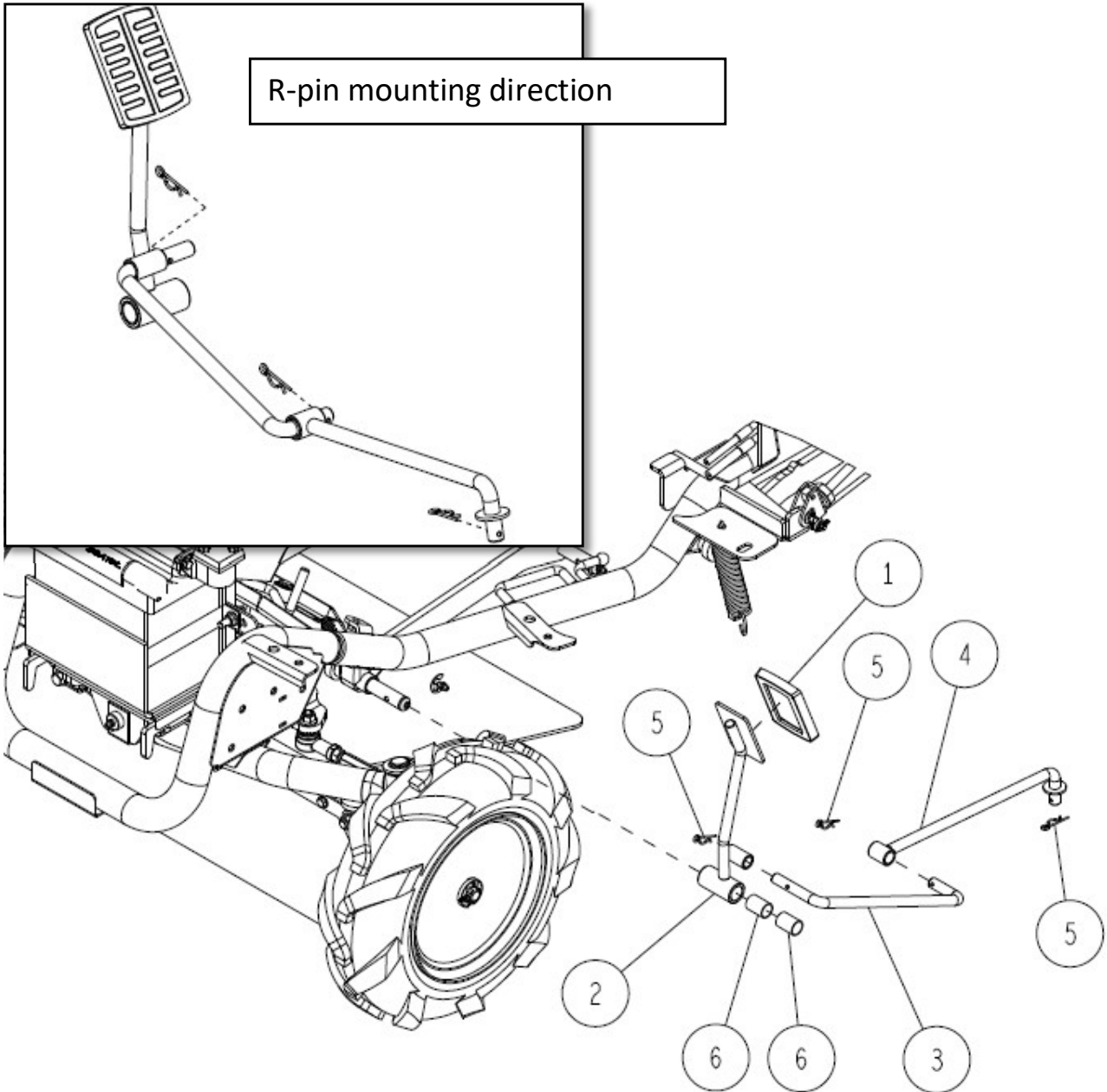
6/70 Frame 6/16



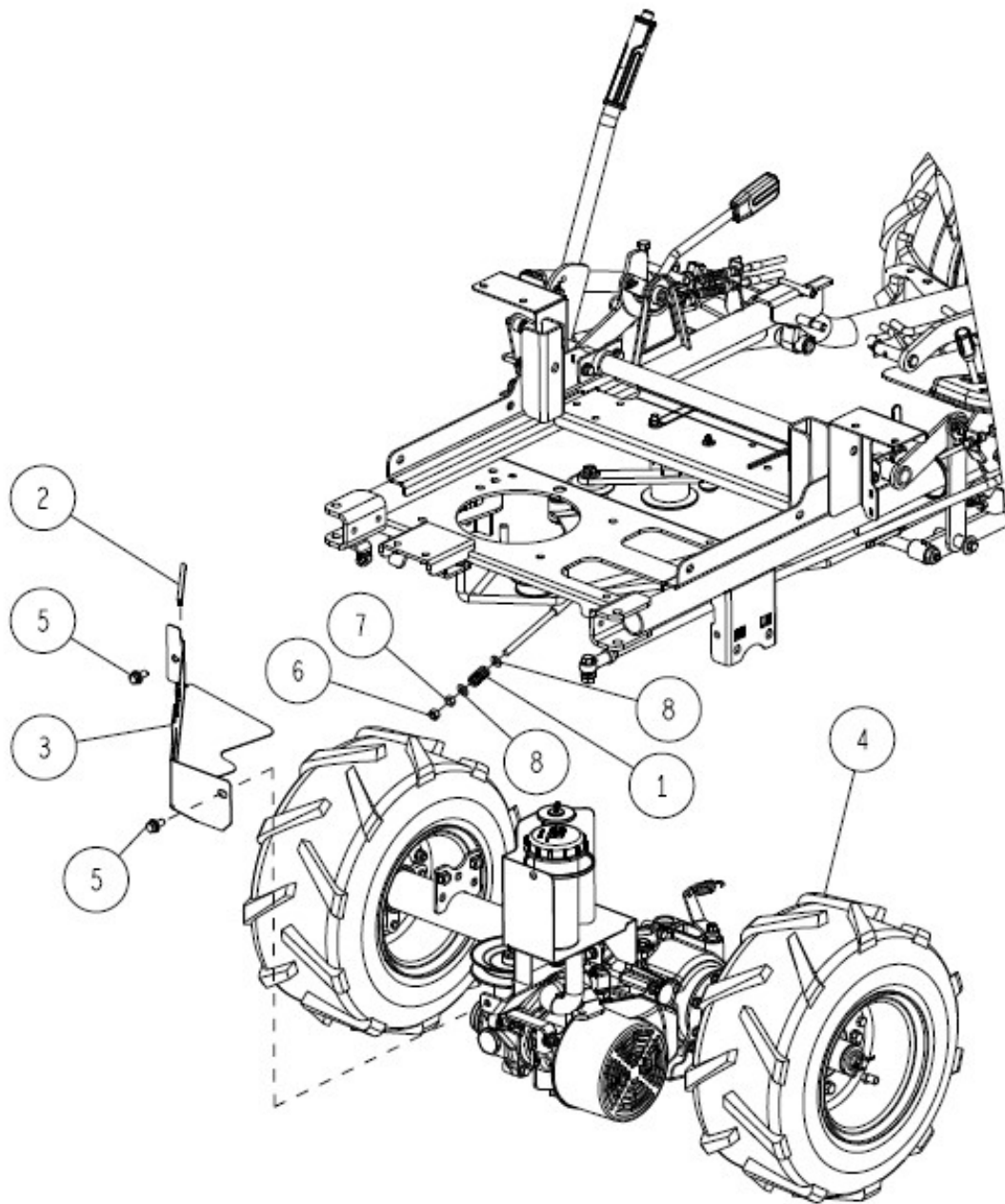
-	0322-71000	Fuel Tank Assy	1	4、5、7
1	80-1920-306-00	Stopper Rubber B-4	1	
2	0322-6020G	Rear Fender Cover (R) (Green)	1	OR
3	0322-60401	Fuel Tank Cover Stay (White)	1	OR•IA
4	0322-70700	Fuel Filter	1	
5	0322-71800	Fuel Tank (with Fuel Gauge)	1	
6	0322-73200	Tank Cover White	1	
7	0322-76000	Fuel Tank Cap Assy (with valve)	1	
8	0341-71200	Wire Band 200L	2	Black
9	0356-6070G	Fuel Tank Holder CMP (Green)	1	OR
10	89-1111-060252	Hexagonal Bolt M6*25	1	
11	89-1232-080162	Mini Hexagonal Bolt (SW) M8*16	2	
12	89-1233-080162	Mini Hexagonal Bolt (PWSW) M8*16	4	
13	89-1233-080202	Mini Hexagonal Bolt (PWSW) M8*20	4	
14	89-1531-060042	Flange Nut M6	1	
15	89-1713-080002	Flat Washer 8 (large)	2	
Ref.	Parts Number	Parts Name	Q'ty	Remarks



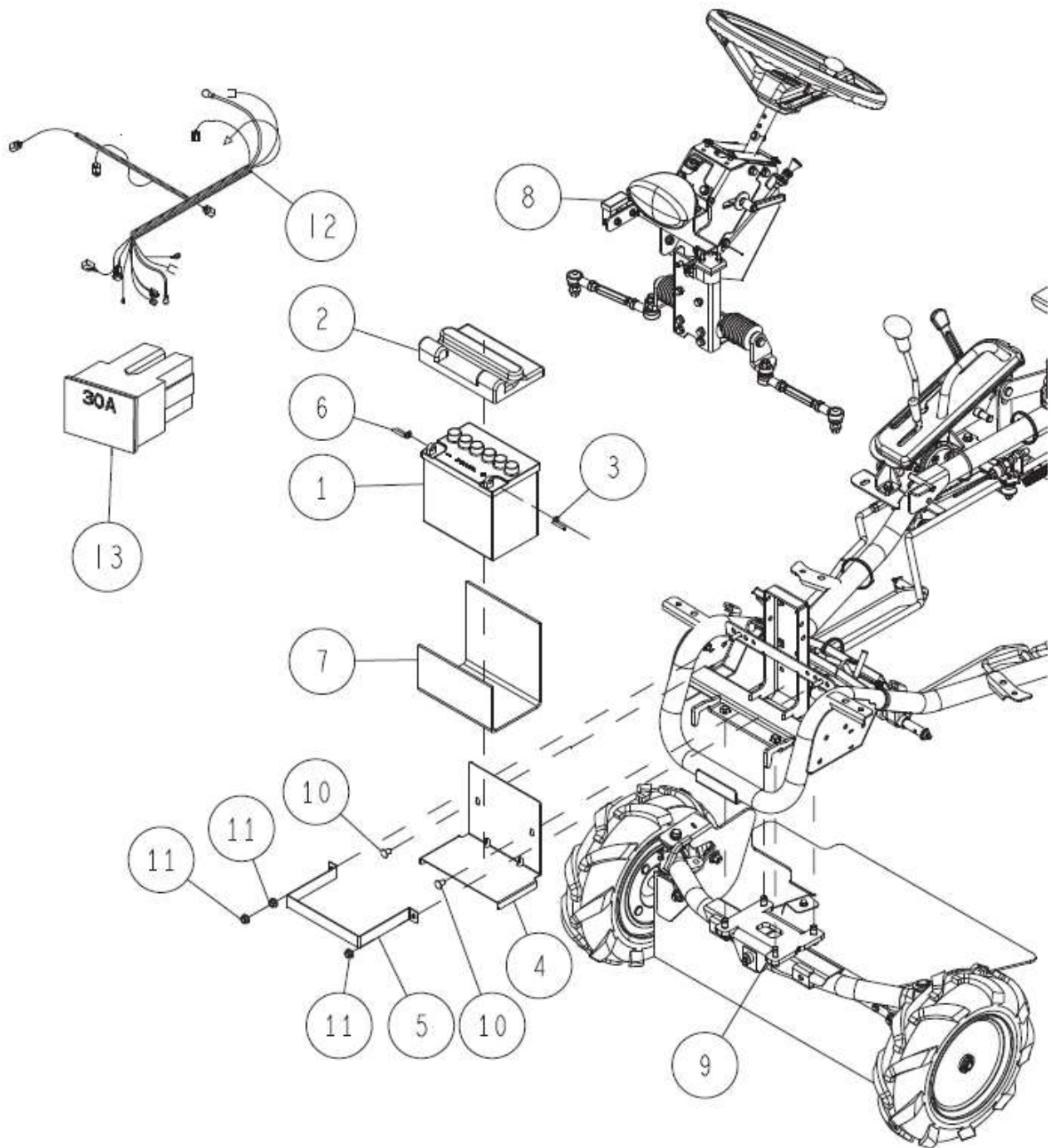
1	80-1792-988-00	Harness Clip 8	1	
2	0229-13100	Rubber, L20	1	
3	0322-2250H	Upper Belt Cover (Metallic Grey)	1	
4	83-1711-719-00	Wire Band 200L	1	
5	89-1233-080162	Mini Hexagonal Bolt (PWSW) M8*16	2	
6	-	Engine Part	1	Details P65~
7	-	Cutting Part	1	Details P39~
8	-	Seat Part	1	Details P61~
Ref.	Parts Number	Parts Name	Q'ty	Remarks



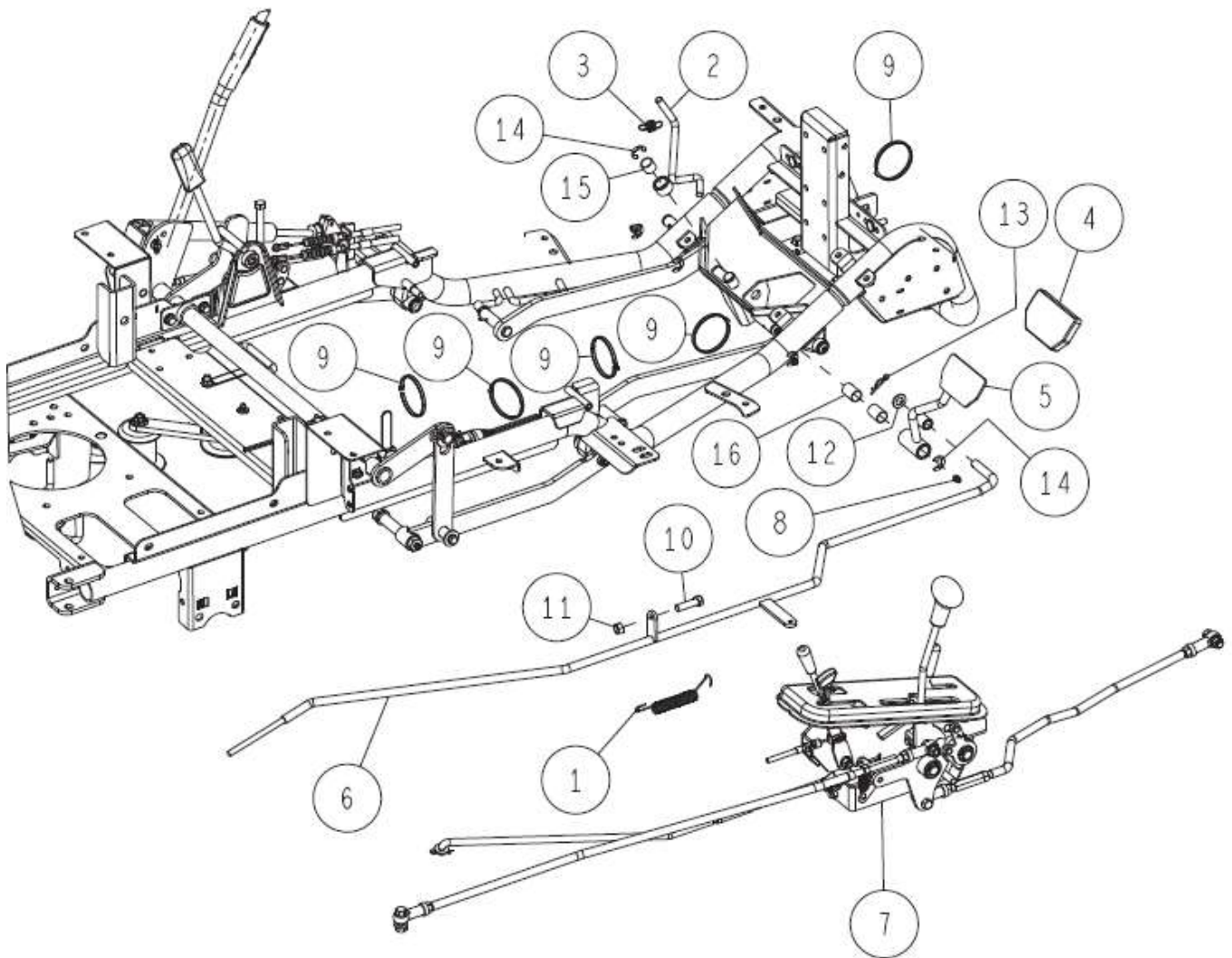
1	0310-73700	Pedal Rubber	1	
2	0329-5710H	Offset Pedal CMP (RMK150) (Metallic Grey)	1	
3	0349-57200	Offset Pedal Rod (RMK151)	1	
4	0356-57300	Offset Pedal Rod (B) CMP	1	
5	89-2131-120002	Snap Pin 12	3	※Note on Installation Direction
6	89-3510-016250	DU Bush 16.25	2	
Ref.	Parts Number	Parts Name	Q'ty	Remarks



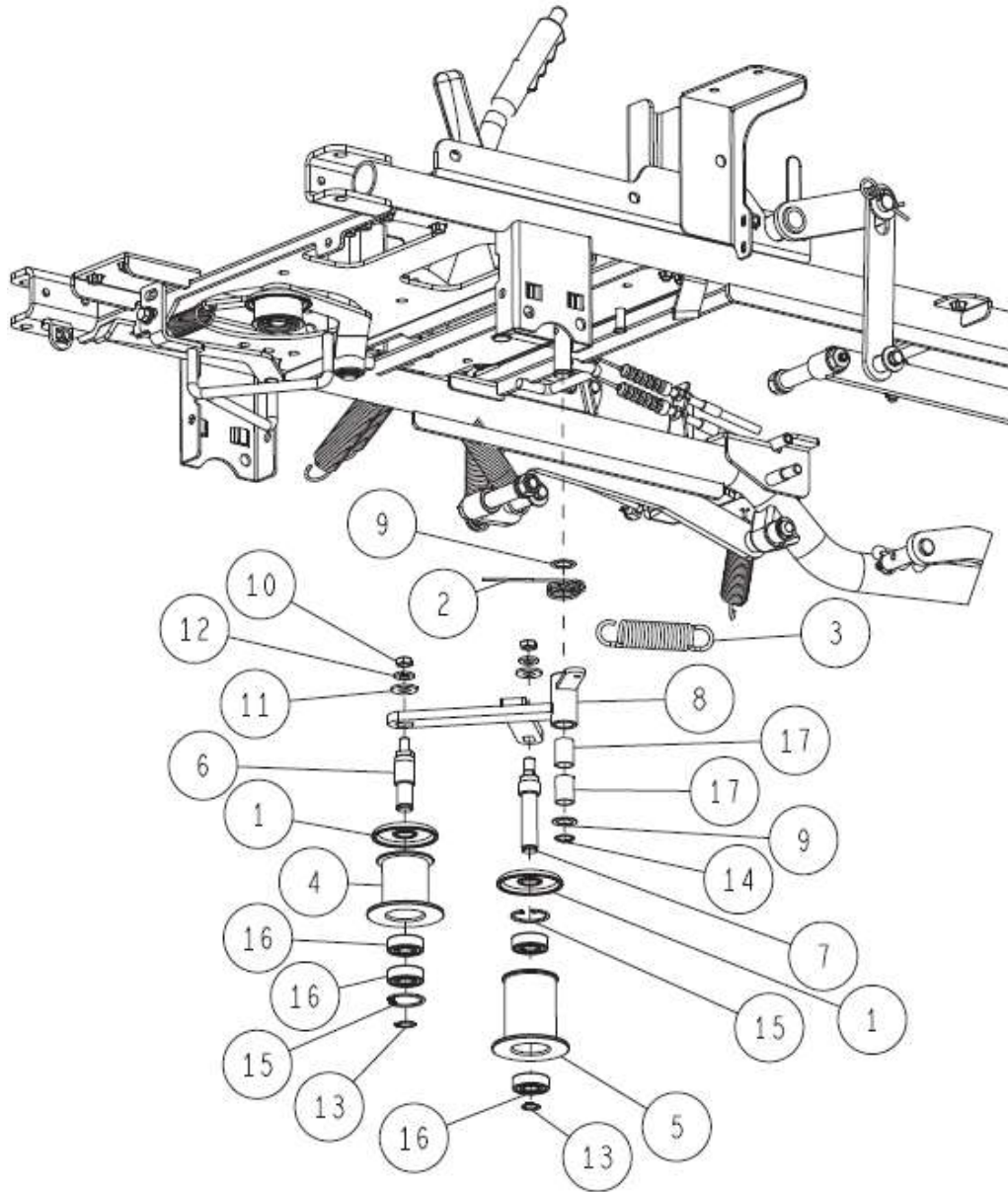
1	0207-75400	Brake Spring 30	1	
2	0301-60400	Rubber 110L	1	
3	0322-6030H	Rear Belt Cover (Metallic Grey)	1	
4	Transmission & HST	-	1	Details P17~
5	89-1233-080202	Mini Hexagonal Bolt (PWSW) M8*20	2	
6	89-1561-080002	Mini Hexagonal U Nut M8	1	
7	89-1611-080042	Mini Hexagonal Nut M8	1	
8	89-1711-080002	Flat Washer 8	2	
Ref.	Parts Number	Parts Name	Q'ty	Remarks



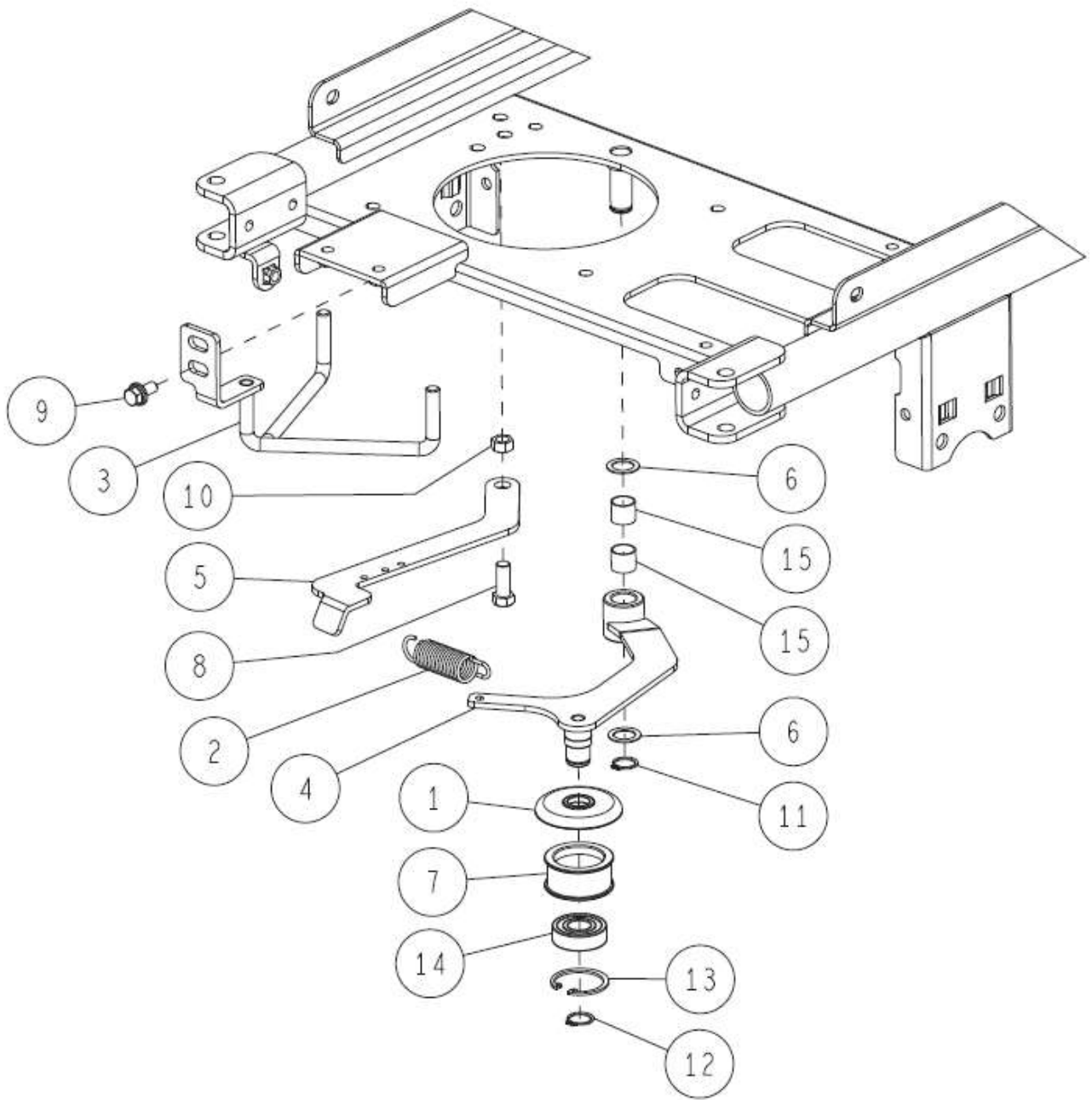
1	80-1792-976-00	Battery (32A-19L)	1	
2	0207-63200	Battery Cover	1	
3	0207-77100	Battery Plus Cord 230	1	
4	0322-2210H	Battery Carrier (Metallic Grey)	1	
5	0322-2220H	Battery Holder (Metallic Grey)	1	
6	0322-72200	Battery Minus Cord	1	
7	0322-72300	Cushion Rubber (Battery)	1	
8	-	Handle Part	1	Details P26~
9	-	Front Part	1	Details P30~
10	83-1484-369-00	Clip (5347)	2	
11	89-1631-080042	Flange Mini Hexagonal Nut M8	3	
12	0341-72210	Wire Harness (RM882/K)	1	
13	0312-75900	Fuse 30 A	1	
Ref.	Parts Number	Parts Name	Q'ty	Remarks



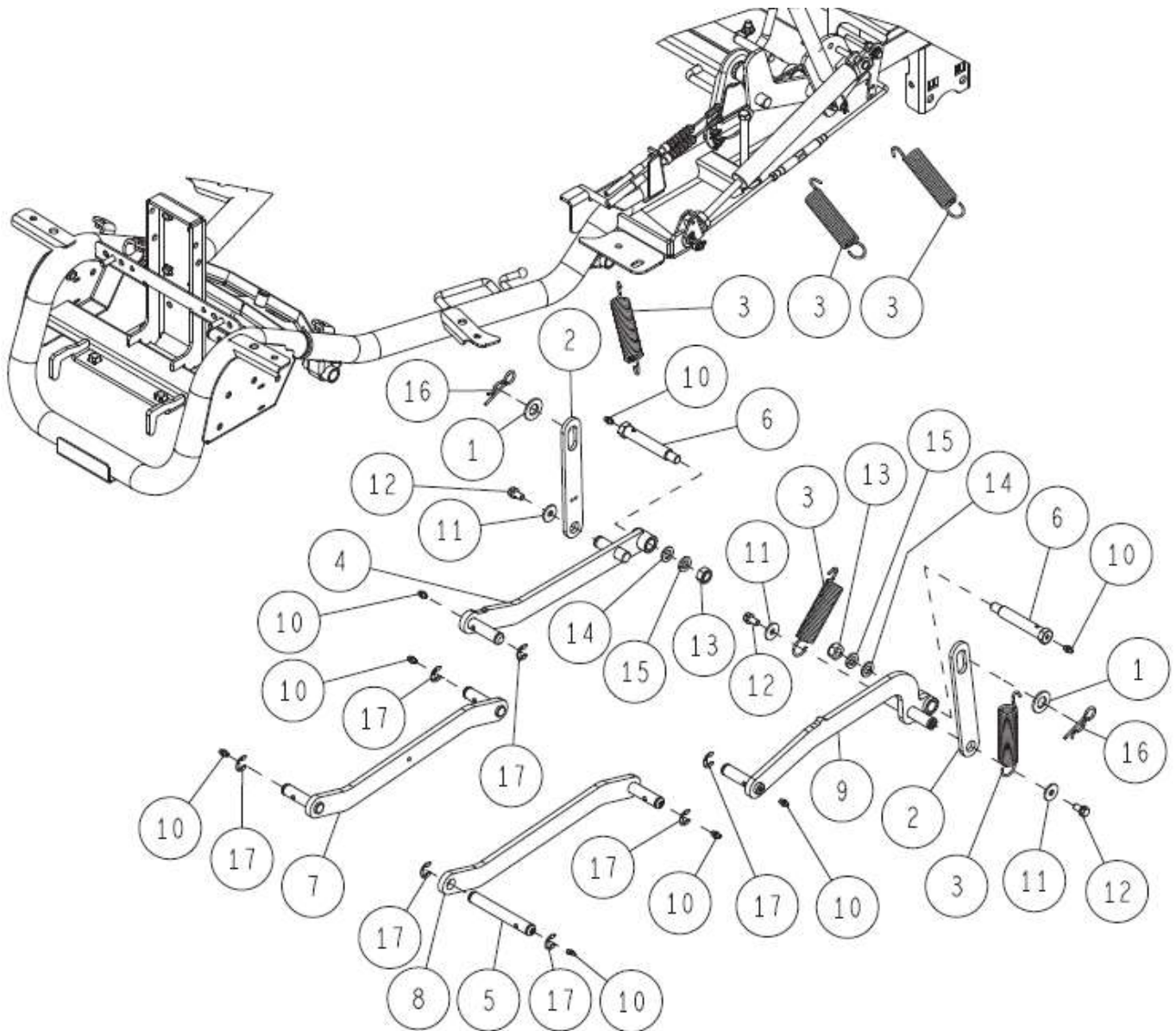
1	80-1493-354-00	Rod Return Spring	1	
2	0312-23100	Brake Stopper CMP	1	
3	0312-23200	Brake Stopper Return Spring	1	
4	0312-71100	Brake Pedal Rubber	1	
5	0322-1040H	Brake Pedal CMP (Metallic Grey)	1	
6	0340-10100	Brake Rod CMP	1	
7	-	Control Part	1	Details P35~
8	83-1415-975-00	Grease Nipple M6	1	
9	83-1711-719-00	Wire Band 200L	5	
10	89-1213-100352	Mini Hexagonal Bolt (8T) M10*35	1	
11	89-1611-100042	Mini Hexagonal Nut M10	1	
12	89-1711-120002	Flat Washer 12	1	
13	89-2131-120002	Snap Pin 12	1	
14	89-2521-000120	E Type Ring 12	2	
15	89-3510-016150	DU Bush 16.15	1	
16	89-3510-016250	DU Bush 16.25	2	
Ref.	Parts Number	Parts Name	Q'ty	Remarks



-	0227-42000	Knife Tension Pulley Set	1	4、6、13、15、16×2ヶ
-	0227-41000	Knife Tension Pulley (A) Set	1	5、7、13、15、16×2ヶ
1	80-1482-549-00	Rubber Cover 58	2	
2	80-1483-568-00	Knife Tension Return Spring ϕ 29.0	1	
3	0207-78400	Spring For Knife Tension Return	1	
4	0227-40200	Knife Tension Pulley	1	
5	0227-40300	Knife Tension Pulley (A)	1	
6	0227-40400	Knife Tension Pulley Axle	1	
7	0244-42800	Tension Idler Shaft	1	
8	0322-4100H	Knife Tension Arm Set (with bush) (Metallic Gre	1	No.17×2Pcs Included
9	83-1020-363-00	Thrust Washer 16*24*1.0	2	
10	89-1613-100042	Mini Hexagonal Nut (3 sorts) M10	2	
11	89-1713-100002	Flat Washer 10 (large)	2	
12	89-1750-100002	Spring Washer 10	2	
13	89-2511-000150	Snap Ring (S15)	2	
14	89-2511-000160	Snap Ring (S16)	1	
15	89-2512-000350	Snap Ring (R35)	2	
16	89-3115-062024	Bearing 6202 2RS	4	
17	89-3510-016250	DU Bush 16.25	2	
Ref.	Parts Number	Parts Name	Q'ty	Remarks

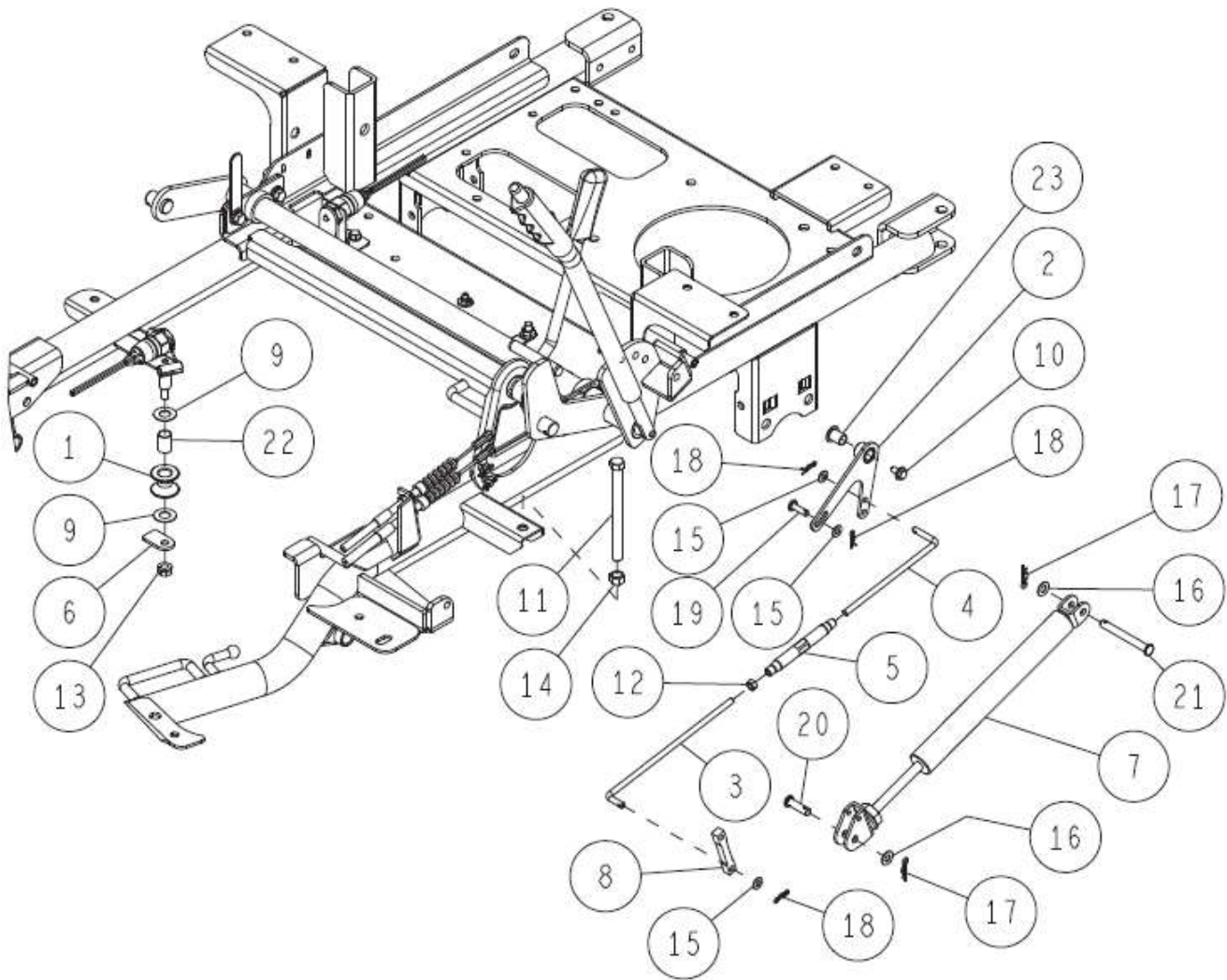


-	83-1032-760-00	Tension Pulley Assy	1	7, 13, 14
1	80-1482-549-00	Rubber Cover 58	1	
2	80-1485-551-00	Driving Tension Spring	1	
3	0312-4140H	Belt Holder CMP (Metallic Grey)	1	
4	0322-40000	Drive Tension Arm Set (with bush)	1	15 × 2pcs incl.
5	0322-4140H	Driving Tension Spring Arm (Metallic Grey)	1	
6	83-1020-363-00	Thrust Washer 16*24*1.0	2	
7	83-1032-765-00	Tension Pulley	1	
8	89-1211-100252	Mini Hexagonal Bolt M10*25	1	
9	89-1233-080202	Mini Hexagonal Bolt (PWSW) M8*20	1	
10	89-1611-100042	Mini Hexagonal Nut M10	1	
11	89-2511-000160	Snap Ring (S16)	1	
12	89-2511-000170	Snap Ring (S17)	1	
13	89-2512-000400	Snap Ring (R40)	1	
14	89-3115-062034	Bearing 6203 2RS	1	
15	89-3510-016150	DU Bush 16.15	2	
Ref.	Parts Number	Parts Name	Q'ty	Remarks

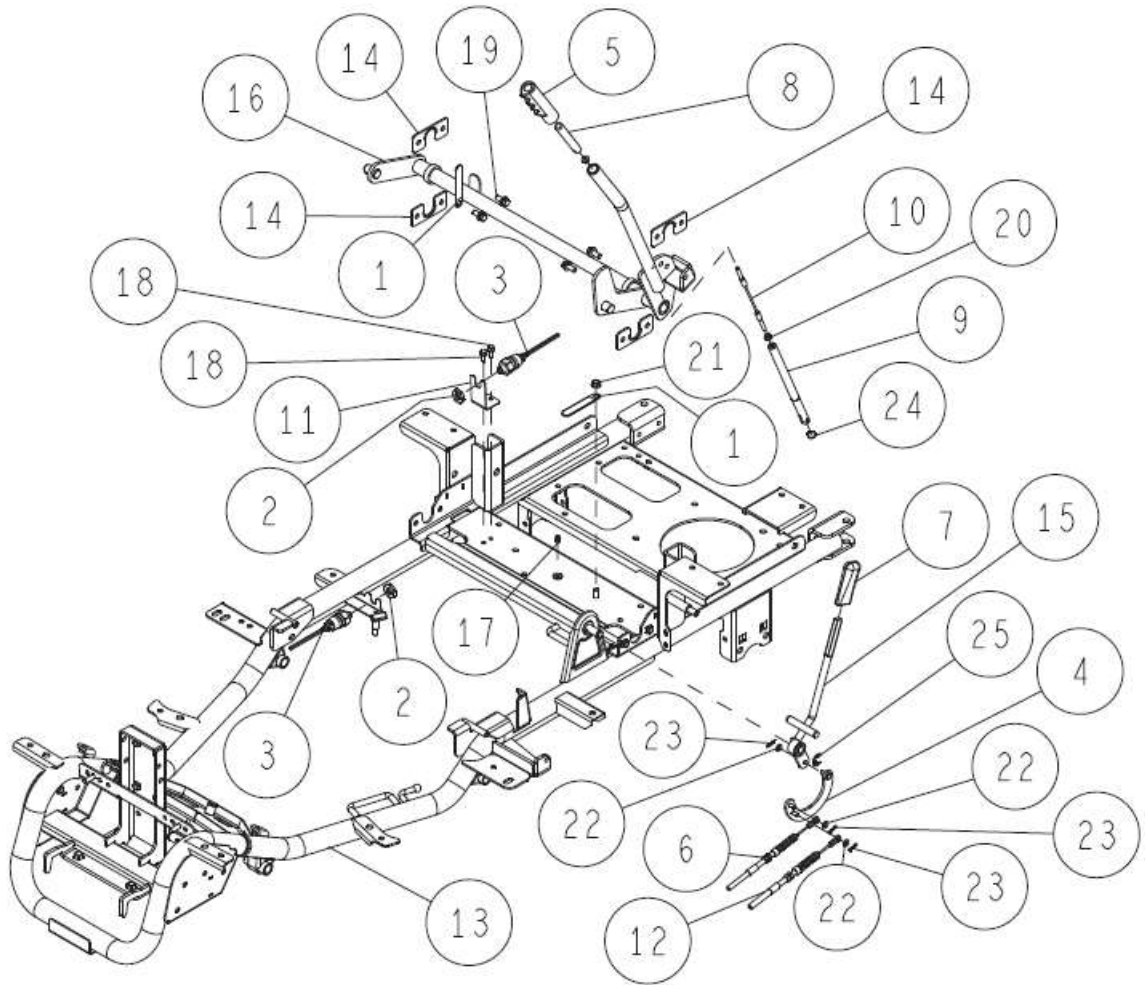


1	0207-76800	Washer 16*32*2.3	2	
2	0227-1150H	Connecting Plate (RM980F) (Metallic Grey)	2	
3	0303-70700	Spring (Up/Down)	5	
4	0329-5050H	Rear Link Arm CMP (R) (RMK150) (Metallic	1	
5	0329-51100	Link Pin(RMK150)	1	
6	0329-51200	Link Bolt	2	
7	0341-5020H	Front Link Arm (R) CMP (Metallic Grey)	1	
8	0349-5030H	Front Link Arm (L) (Metallic Grey)	1	
9	0356-5040H	Rear Link Arm CMP (L) (Metallic Grey)	1	
10	83-1415-975-00	Grease Nipple M6	8	
11	83-1751-311-00	Flat Washer 8*25*2.3	3	
12	89-1232-080162	Mini Hexagonal Bolt (SW) M8*16	3	
13	89-1551-120002	Hexagonal U Nut M12	2	
14	89-1711-120002	Flat Washer 12	2	
15	89-1750-120002	Spring Washer 12	2	
16	89-2131-160002	Snap Pin 16	2	
17	89-2521-000120	E Type Ring 12	7	
Ref.	Parts Number	Parts Name	Q'ty	Remarks

15/70 Frame 15/16

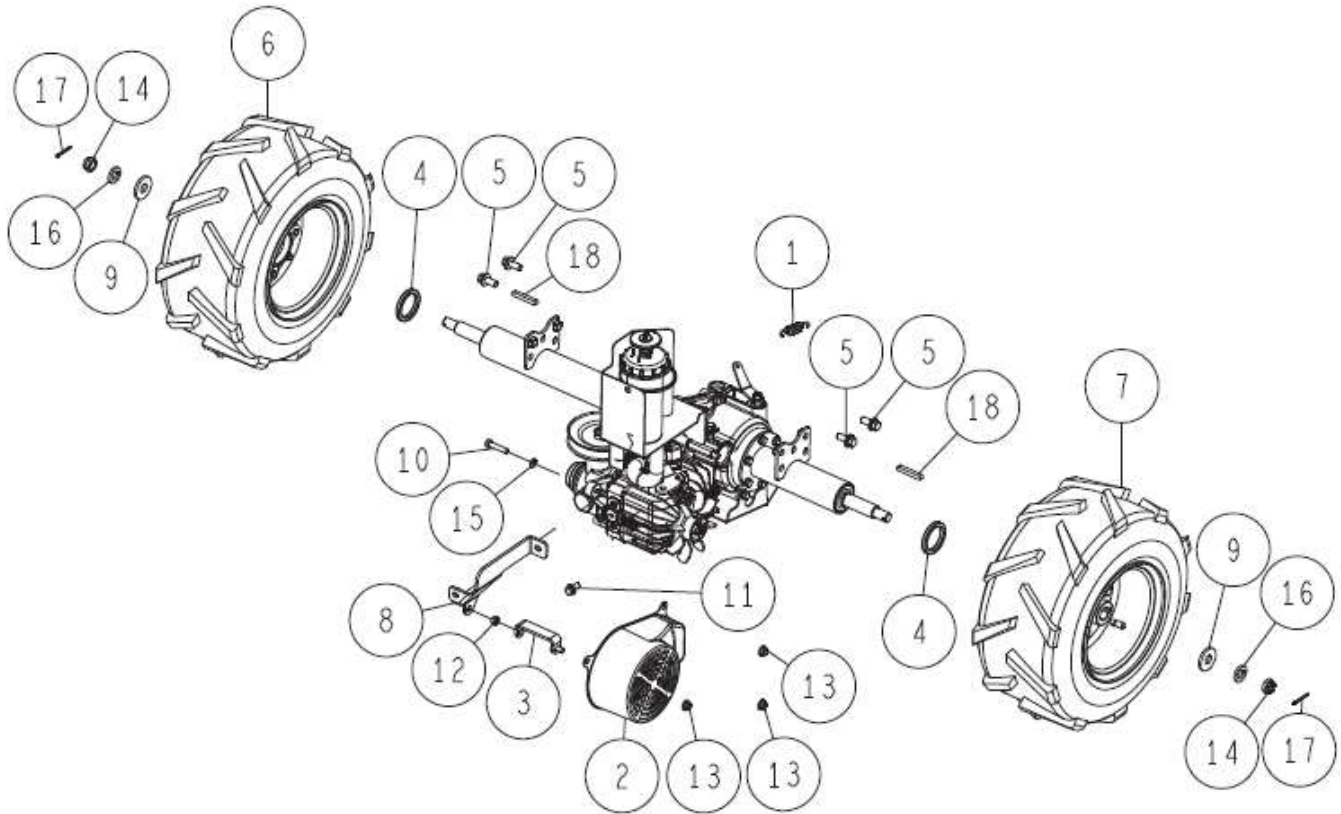


1	80-1484-354-10	Brake Rod Roller	1	
2	0244-11300	Push Rod Receiver CMP	1	
3	0244-11400	Adjuster Rod (R)	1	
4	0244-11500	Adjuster Rod (L)	1	
5	0244-11600	Turn Buckle (Pipe Type)	1	
6	0244-22600	Brake Rod Hung Plate	1	
7	0303-71100	Gas Spring Free Lock Type (FLC75-75)	1	
8	0329-10500	Lock Pusher(RMK150)	1	
9	83-1020-355-00	Thrust Washer 12*24*1.0	2	
10	89-1137-060122	Hexagonal Bolt (PW) M6*12	1	
11	89-1211-101202	Mini Hexagonal Bolt M10*120	1	
12	89-1511-060042	Hexagonal Nut M6	1	
13	89-1543-080002	Mini Hexagonal Nut (SW) M8	1	
14	89-1611-100042	Mini Hexagonal Nut M10	1	
15	89-1711-060002	Flat Washer 6	3	
16	89-1711-080002	Flat Washer 8	2	
17	89-2131-080002	Snap Pin 8	2	
18	89-2132-060002	Snap Pin 6 (with stopper)	3	
19	89-2181-060202	Flat Head Pin 6*20	1	
20	89-2181-080282	Flat Head Pin 8*28	1	
21	89-2181-080692	Flat Head Pin 8*69	1	
22	89-3510-012200	DU Bush 12.20	1	
23	89-3511-010150	DU Bush 10.15.18F	1	
Ref.	Parts Number	Parts Name	Q'ty	Remarks

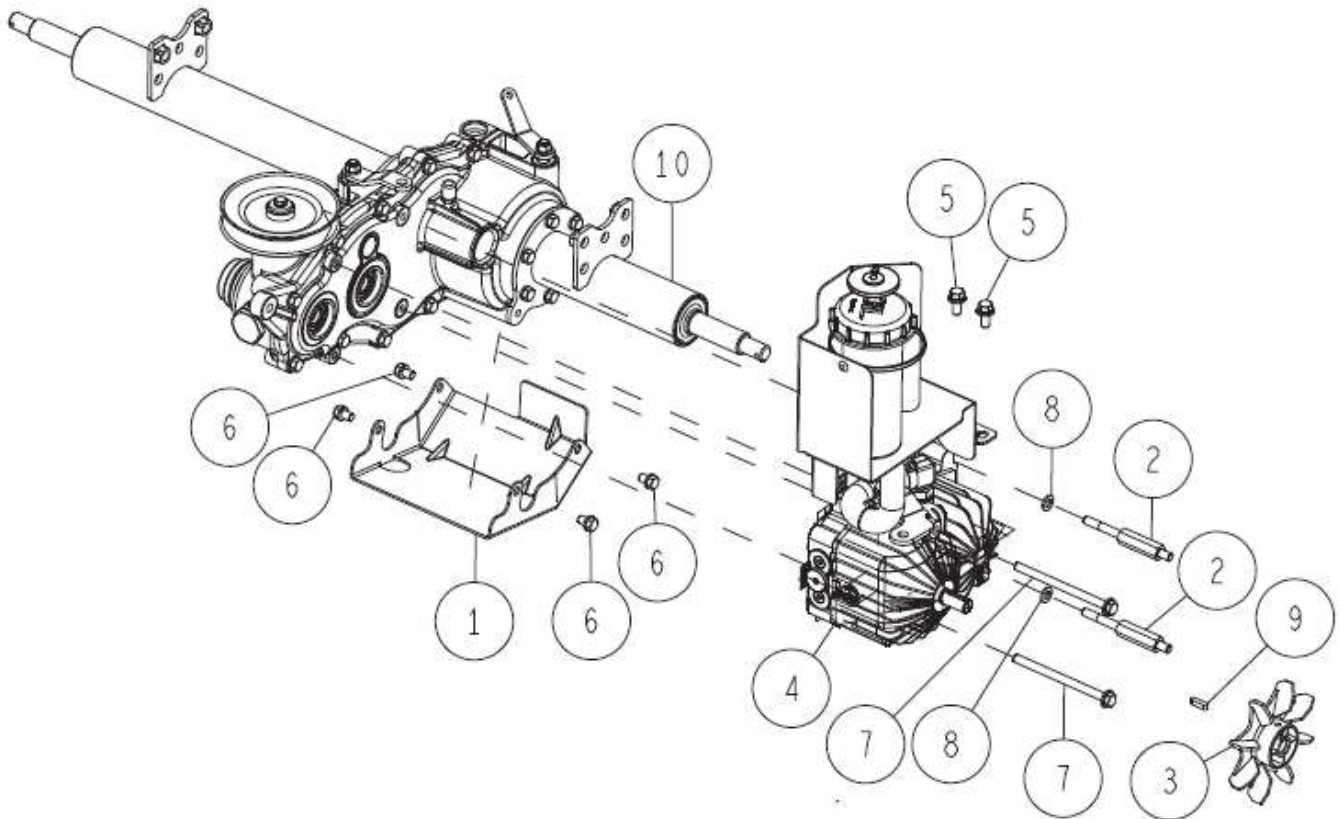


1	80-1792-988-00	Harness Clip 8	2	
2	0207-72800	Switch Lock Nut	2	
3	0207-74400	Safety Switch K17850	2	
4	0244-13700	Wire Joint CMP	1	
5	0342-74200	Cutting Height Grip	1	
6	0284-71110	Knife Brake Wire (SUS)	1	
7	0342-74100	RM Grip (Red)	1	
8	0312-14300	Push Rod (Upper)	1	
9	0312-14400	Push Rod (Under)	1	
10	0312-71300	Push Rod Wire	1	
11	0322-13300	Safety Switch Setting Plate	1	
12	0322-75110	Knife Clutch Wire	1	
13	0341-2011H	Frame CMP (Metallic Grey)	1	
	0341-2010H	Frame CMP (Metallic Grey)	1	
14	0342-10100	Up/Down Adjusting Shaft Stay	4	
15	0349-1340H	Knife Clutch Lever CMP (Metallic Grey)	1	
16	0356-1310H	Up/Down Adjusting Shaft CMP (Metallic Grey)	1	
17	83-1415-975-00	Grease Nipple M6	1	
18	89-1132-060162	Hexagonal Bolt (SW) M6*16	2	
19	89-1233-080202	Mini Hexagonal Bolt (PWSW) M8*20	4	
20	89-1531-060042	Flange Nut M6	2	
21	89-1631-080042	Flange Mini Hexagonal Nut M8	1	
22	89-1711-060002	Flat Washer 6	3	
23	89-2132-060002	Snap Pin 6 (with stopper)	3	
24	89-2511-000130	Snap Ring (S13)	1	
25	89-2521-000120	E Type Ring 12	1	
Ref.	Parts Number	Parts Name	Q'ty	Remarks

17/70 Transmission & HST 1/9

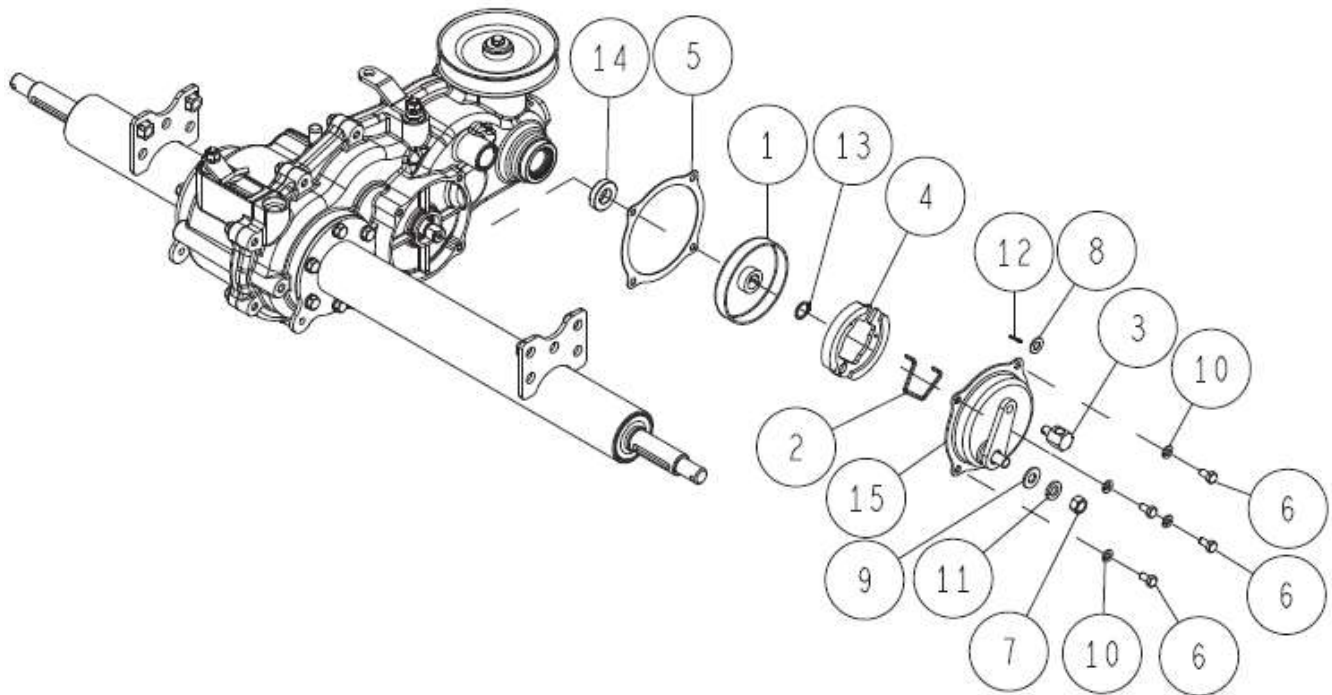


1	80-1425-551-00	Differential Lock Spring	1	
2	0207-0720H	Fan Cover CMP (Metallic Grey)	1	
3	0207-0740H	Fan Cover Setting CMP (Metallic Grey)	1	
4	0207-77800	Wheel Boss Dust Seal	2	
5	0244-83200	Mini Hexagonal Bolt (PWSW) M10*25 (7T Lock)	4	
6	0272-33000	Rear Tire (L) ASSY (16 × 7.00-8) (Include Wheel Boss)	1	Details P34
7	0272-34000	Rear Tire (R) ASSY (16 × 7.00-8) (Include Wheel Boss)	1	Details P34
8	0322-0150H	Transmission Hunger Stay CMP (Metallic Grey)	1	
9	83-1630-335-00	Washer 16*40*4.5	2	
10	89-1211-080352	Mini Hexagonal Bolt M8*35	1	
11	89-1233-080202	Mini Hexagonal Bolt (PWSW) M8*20	1	
12	89-1561-080002	Mini Hexagonal U Nut M8	1	
13	89-1631-080042	Flange Mini Hexagonal Nut M8	3	
14	89-1658-160042	Low Fluted Nut (2 sorts) M16	2	
15	89-1750-080002	Spring Washer 8	1	
16	89-1750-160002	Spring Washer 16	2	
17	89-2120-350352	Split Pin 3.5*35	2	
18	89-2150-070500	Key 7*50 (round)	2	
Ref.	Parts Number	Parts Name	Q'ty	Remarks

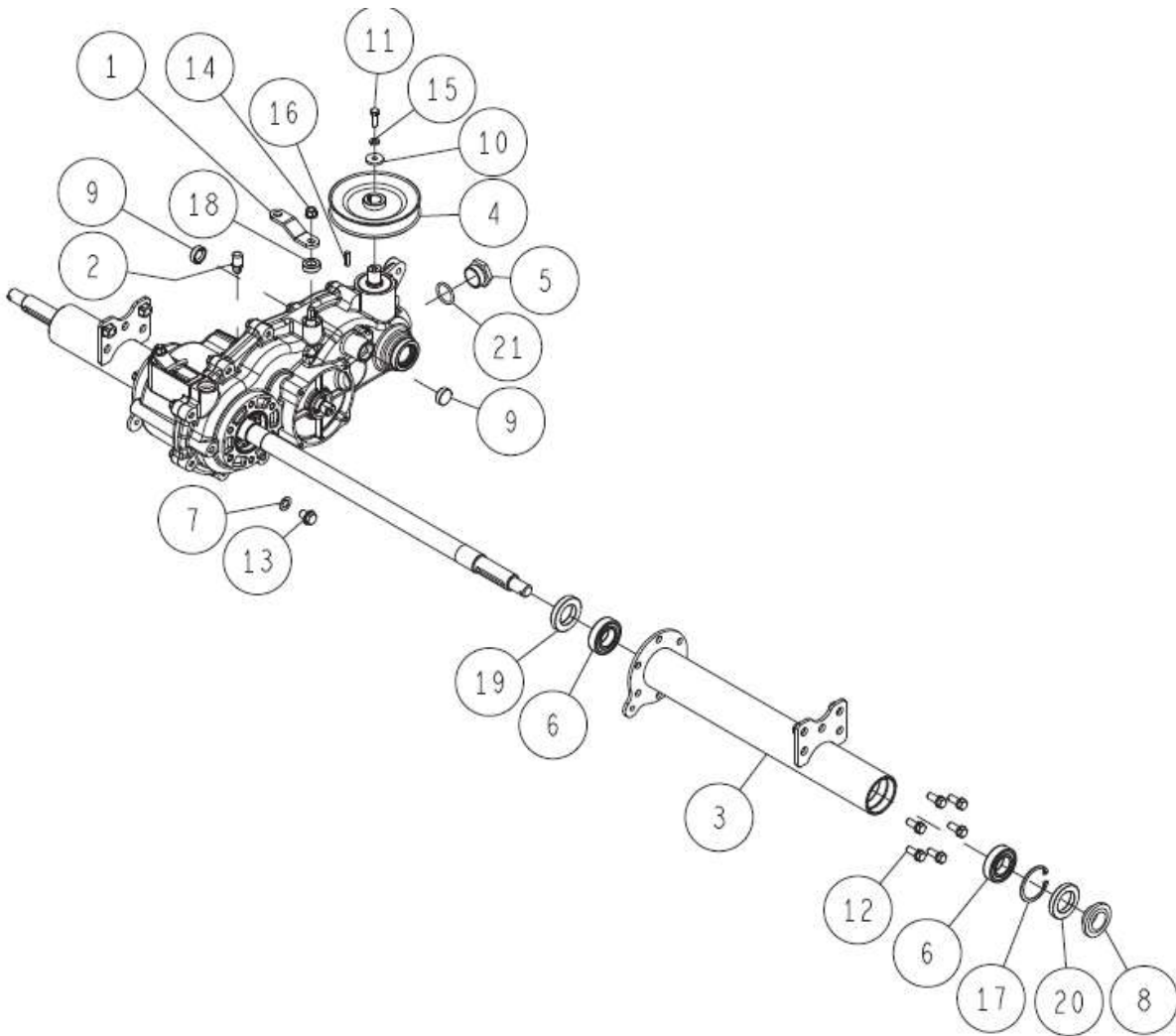


1	0207-0310H	Mission Guard CMP (Metallic Grey)	1	
2	0207-07300	Double Spring Bolt	2	
3	0207-07500	Fan	1	
4	0348-09200	HST Unit (KYB)Assy (RM982)	1	Details P25
5	89-1233-080202	Mini Hexagonal Bolt (PWSW) M8*20	2	
6	89-1235-080122	Mini Hexagonal Bolt (SW) M8*12	4	
7	89-1251-081123	Flange Mini Hexagonal Bolt M8*112	2	
8	89-1750-080002	Spring Washer 8	2	
9	89-2150-050200	Key 5*20 (round)	1	
10	0244-09110	Transmission Assy (without HST)	1	Details P19~
Ref.	Parts Number	Parts Name	Q'ty	Remarks

19/70 Transmission & HST 3/9

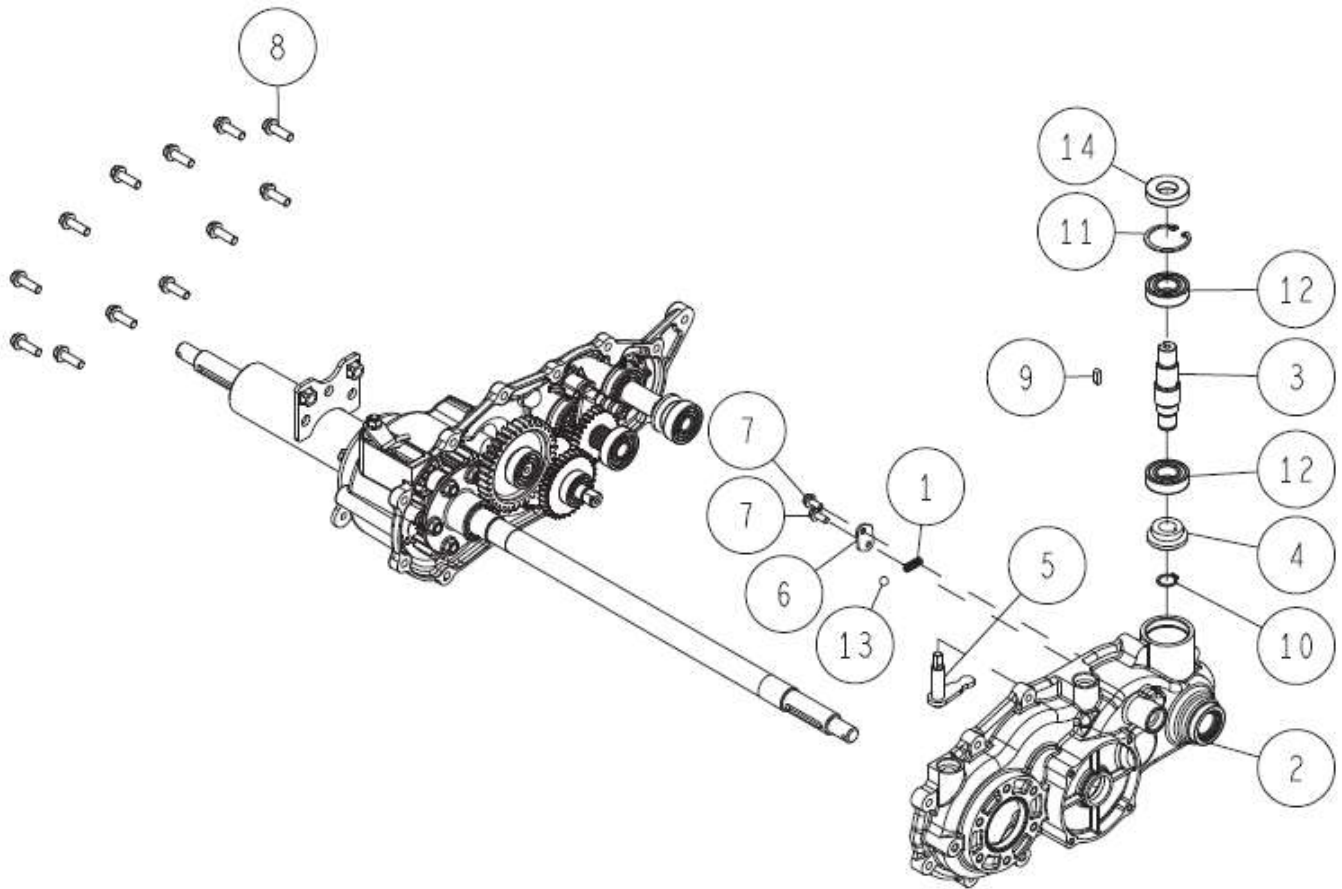


-	0207-73000	Brake Assy	1	1, 2, 4, 5, 7, 9, 11, 15
-	0207-73100	Brake Cap Assy	1	1, 2, 4, 7, 9, 11, 15
-	0207-73200	Brake Cap Assy	1	2, 4, 7, 9, 11, 15
1	80-1030-282-00	Brake Drum (PA-7)	1	
2	80-1030-285-00	Spring for Brake Shoe Return	1	
3	0207-10300	Brake Joint	1	
4	0244-88100	Brake Shoe Set (PA-7)	1	
5	0308-00300	Brake Cover PK (PA-7)	1	
6	89-1113-060122	Hexagonal Bolt (8T) M6*12	4	
7	89-1611-100042	Mini Hexagonal Nut M10	1	
8	89-1711-080002	Flat Washer 8	1	
9	89-1712-100000	Flat Washer 10	1	
10	89-1750-060002	Spring Washer 6	4	
11	89-1750-100002	Spring Washer 10	1	
12	89-2120-200152	Split Pin 2*15	1	
13	89-2511-000150	Snap Ring (S15)	1	
14	89-5125-153007	Oil Seal UE 15.30.07F	1	
15	-		1	
Ref.	Parts Number	Parts Name	Q'ty	Remarks



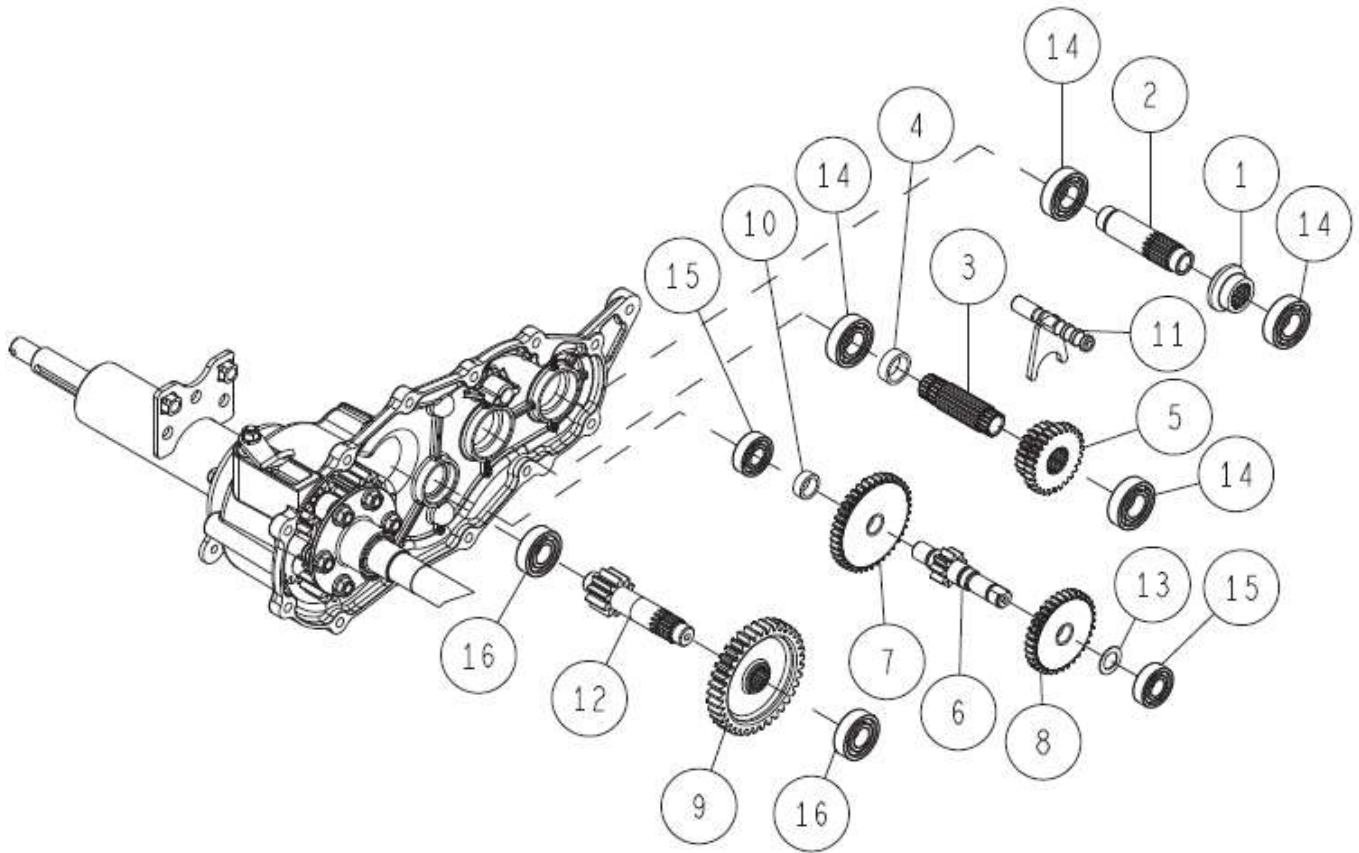
-	0289-01000	Oil Plug Assy (with O Ring)	1	5、21
-	0244-08000	Oil Seal 25.47.15(with DP)	1	8、20
1	0207-02500	Sub Change Arm	1	
2	0207-06100	Air Breather	1	
3	0244-0110H	Axle Case (L) CMP (Metallic Grey)	1	
4	0284-4020H	Transmission Pulley(Hi) (Metallic Grey)	1	
5	0289-01100	Oil Plug Assy (without O Ring)	1	
6	0342-77800	Bearing 6005 2NSE-NB	2	
7	83-1020-349-00	Copper Packing 10.5*18*1.6	1	
8	83-1415-663-00	Oil Seal DP 25.30.15	1	
9	83-1415-671-00	Blind Cover 22	2	
10	83-1482-311-00	Washer 6.5*22*3.2	1	
11	89-1113-060202	Hexagonal Bolt (8T) M6*20	1	
12	89-1238-080202	Mini Hexagonal Bolt (SW) M8*20	6	
13	89-1252-100122	Flange Mini Hexagonal Bolt M10*12 (slender)	1	
14	89-1543-080002	Mini Hexagonal Nut (SW) M8	1	
15	89-1750-060002	Spring Washer 6	1	
16	89-2151-050200	Key 5*20 (half round)	1	
17	89-2512-000470	Snap Ring (R47)	1	
18	89-5121-122207	Oil Seal UE 12.22.7	1	
19	89-5121-284708	Oil Seal UE 28.47.8	1	
20	89-5121-304707	Oil Seal UE 30.47.7	1	
21	89-5221-024000	O Ring P24	1	
Ref.	Parts Number	Parts Name	Q'ty	Remarks

21/70 Transmission & HST 5/9

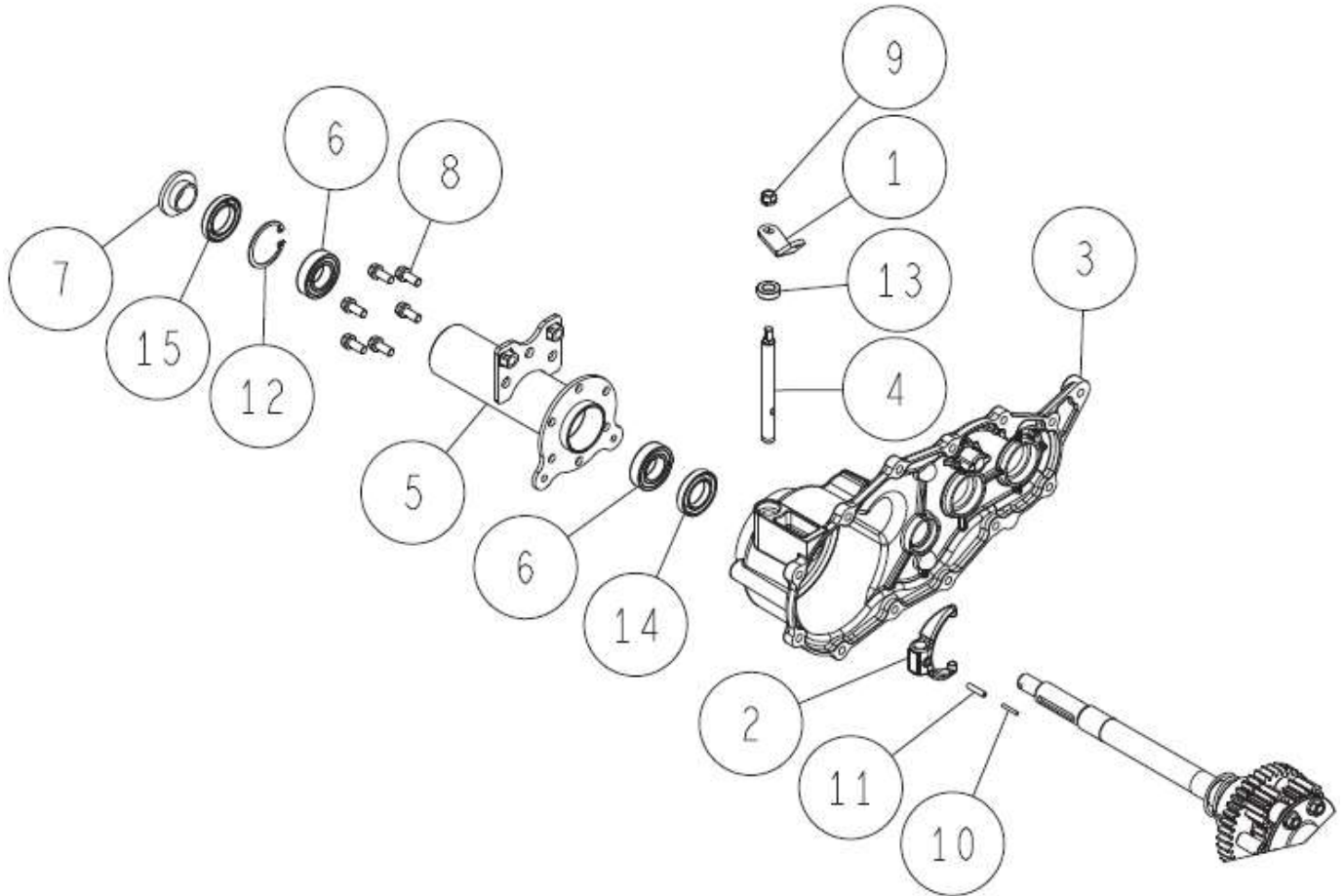


1	80-1310-138-00	Spring 1.4	1	
2	0207-00100	Transmission Case(L)	1	
3	0207-00300	A Axle	1	
4	0207-00400	20T Spiral Mita Gear(L)	1	
5	0207-01700	Swing Arm CMP	1	
6	0207-01900	Shift Spring Holder	1	
7	83-1020-148-00	Tapping Bolt M6*14	2	
8	83-1482-143-00	Tapping Bolt M8*25	12	
9	89-2150-050160	Key 5*16 (round)	1	
10	89-2511-000170	Snap Ring (S17)	1	
11	89-2512-000420	Snap Ring (R42)	1	
12	89-3115-060044	Bearing 6004 2RS	2	
13	89-3410-080000	Steel Ball 8.0	1	
14	89-5121-204208	Oil Seal UE 20.42.8	1	
Ref.	Parts Number	Parts Name	Q'ty	Remarks

22/70 Transmission & HST 6/9

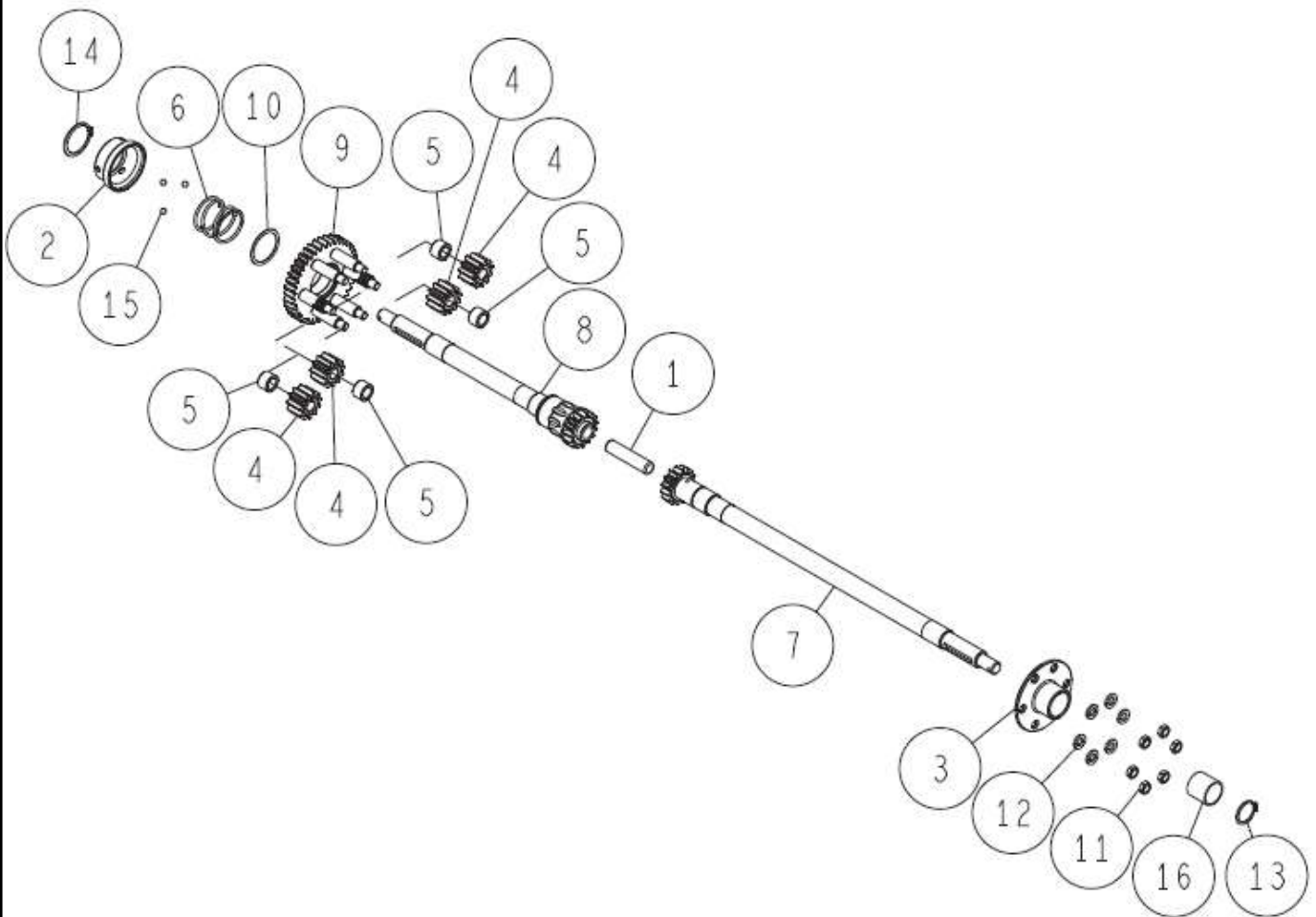


1	0207-00500	20T Spiral Mita Gear(R)	1	
2	0207-00600	B Axle	1	
3	0207-00700	C Axle	1	
4	0207-00800	C Axle Collar 9	1	
5	0207-00910	Shift Gear 22-28	1	
6	0207-01100	Brake Shaft	1	
7	0207-01210	Brake Shaft 40T Gear	1	
8	0207-01310	Brake Shaft 34T Gear	1	
9	0207-01400	D Axle 37T Gear	1	
10	0207-01500	Brake Shaft Collar 8	1	
11	0207-01600	Shift Fork Shaft CMP	1	
12	0244-00400	D Axle	1	
13	83-1020-361-00	Thrust Washer 15*24*1.0	1	
14	89-3111-060044	Bearing 6004	4	
15	89-3111-062024	Bearing 6202	2	
16	89-3111-062034	Bearing 6203	2	
Ref.	Parts Number	Parts Name	Q'ty	Remarks



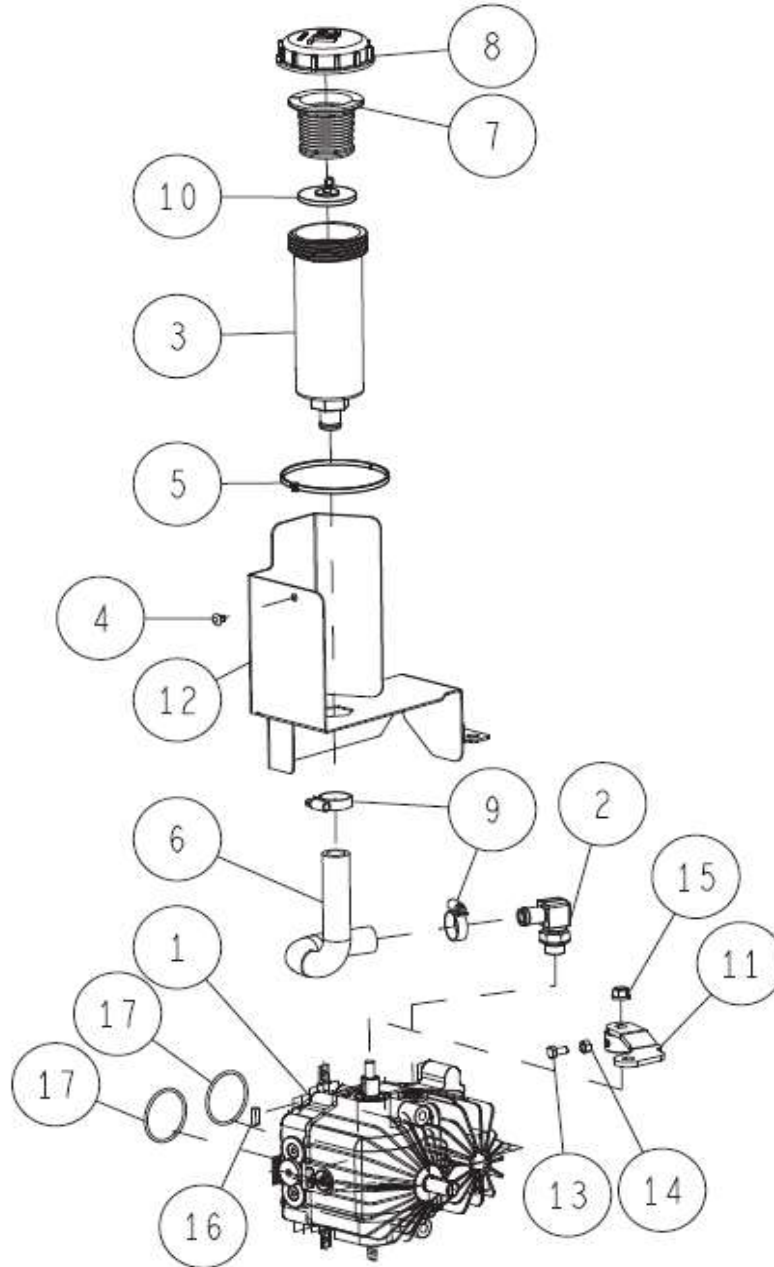
-	0244-08000	Oil Seal 25.47.15(with DP)	1	7、15
1	80-1488-153-00	Differential Lock Arm	1	
2	80-1830-113-00	Differential Lock Fork	1	
3	0207-00200	Transmission Case(R)	1	
4	0207-01800	Differential Lock Fork Shaft	1	
5	0244-0120H	Axle Case (R) CMP (Metallic Grey)	1	
6	0342-77800	Bearing 6005 2NSE-NB	2	
7	83-1415-663-00	Oil Seal DP 25.30.15	1	
8	89-1238-080202	Mini Hexagonal Bolt (SW) M8*20	6	
9	89-1543-080002	Mini Hexagonal Nut (SW) M8	1	
10	89-2111-030020	Spring Pin 3*20	1	
11	89-2111-050022	Spring Pin 5*22	1	
12	89-2512-000470	Snap Ring (R47)	1	
13	89-5121-122207	Oil Seal UE 12.22.7	1	
14	89-5121-284708	Oil Seal UE 28.47.8	1	
15	89-5121-304707	Oil Seal UE 30.47.7	1	
Ref.	Parts Number	Parts Name	Q'ty	Remarks

24/70 Transmission & HST 8/9



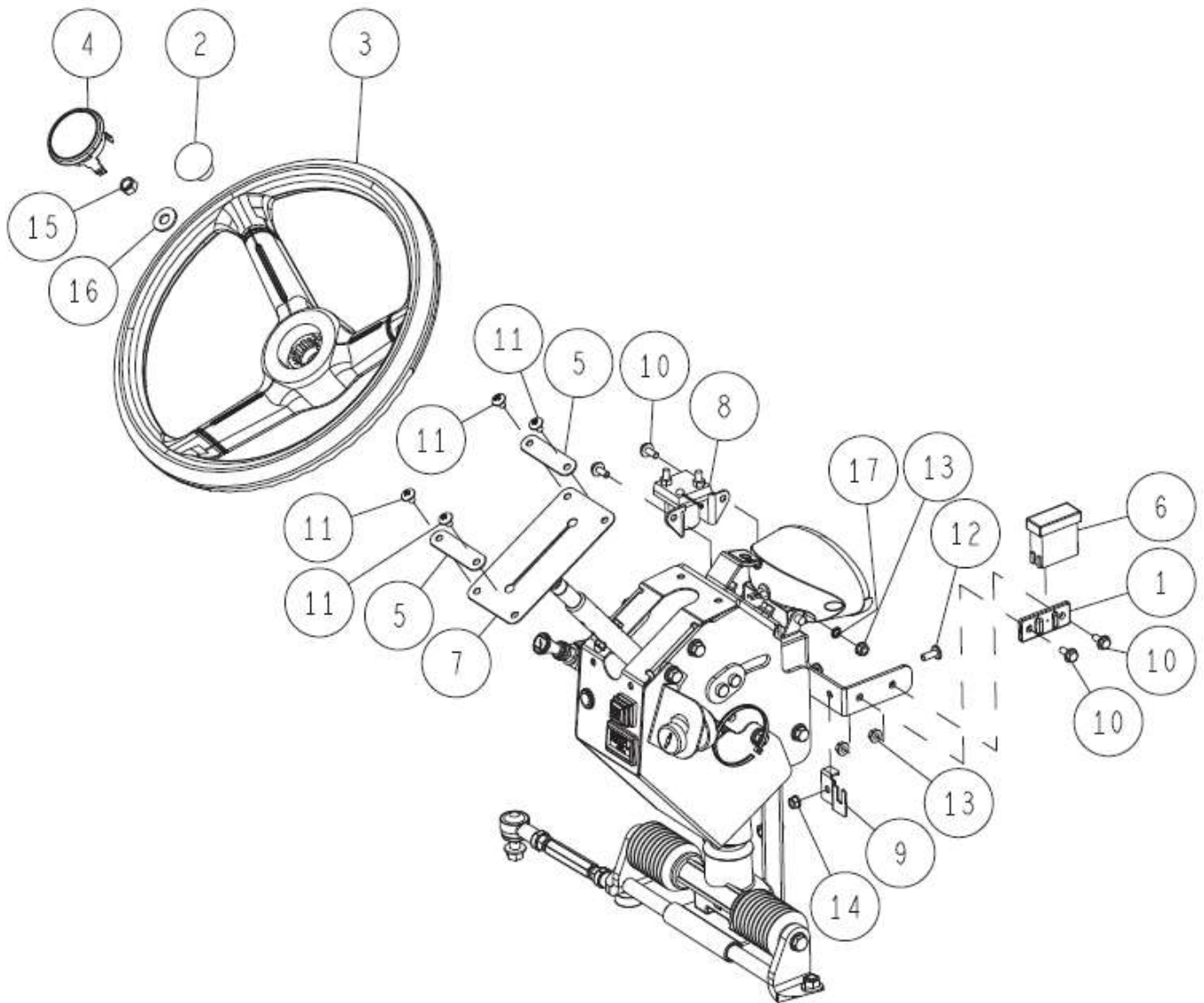
1	80-1415-150-00	Axle Pin	1	
2	80-1425-143-00	Differential Lock Cone	1	
3	80-1481-151-00	Differential Lock Plate	1	
4	80-1481-152-00	Differential Lock Gear 11T	4	
5	80-1481-155-00	Differential Gear Shaft Collar	4	
6	80-1751-162-00	Differential Lock Spring	1	
7	0207-02120	Axle(L) CMP	1	
8	0207-02220	Axle(R) CMP	1	
9	0244-00300	Axle Gear 39T CMP	1	
10	83-1830-382-00	Thrust Washer 40*48*1.0	1	
11	89-1613-100042	Mini Hexagonal Nut (3 sorts) M10	6	
12	89-1750-100002	Spring Washer 10	6	
13	89-2511-000280	Snap Ring (S28)	1	
14	89-2511-000400	Snap Ring (S40)	1	
15	89-3410-075000	Steel Ball 7.5	3	
16	89-3510-028300	DU Bush 28.30	1	
Ref.	Parts Number	Parts Name	Q'ty	Remarks

25/70 Transmission & HST 9/9



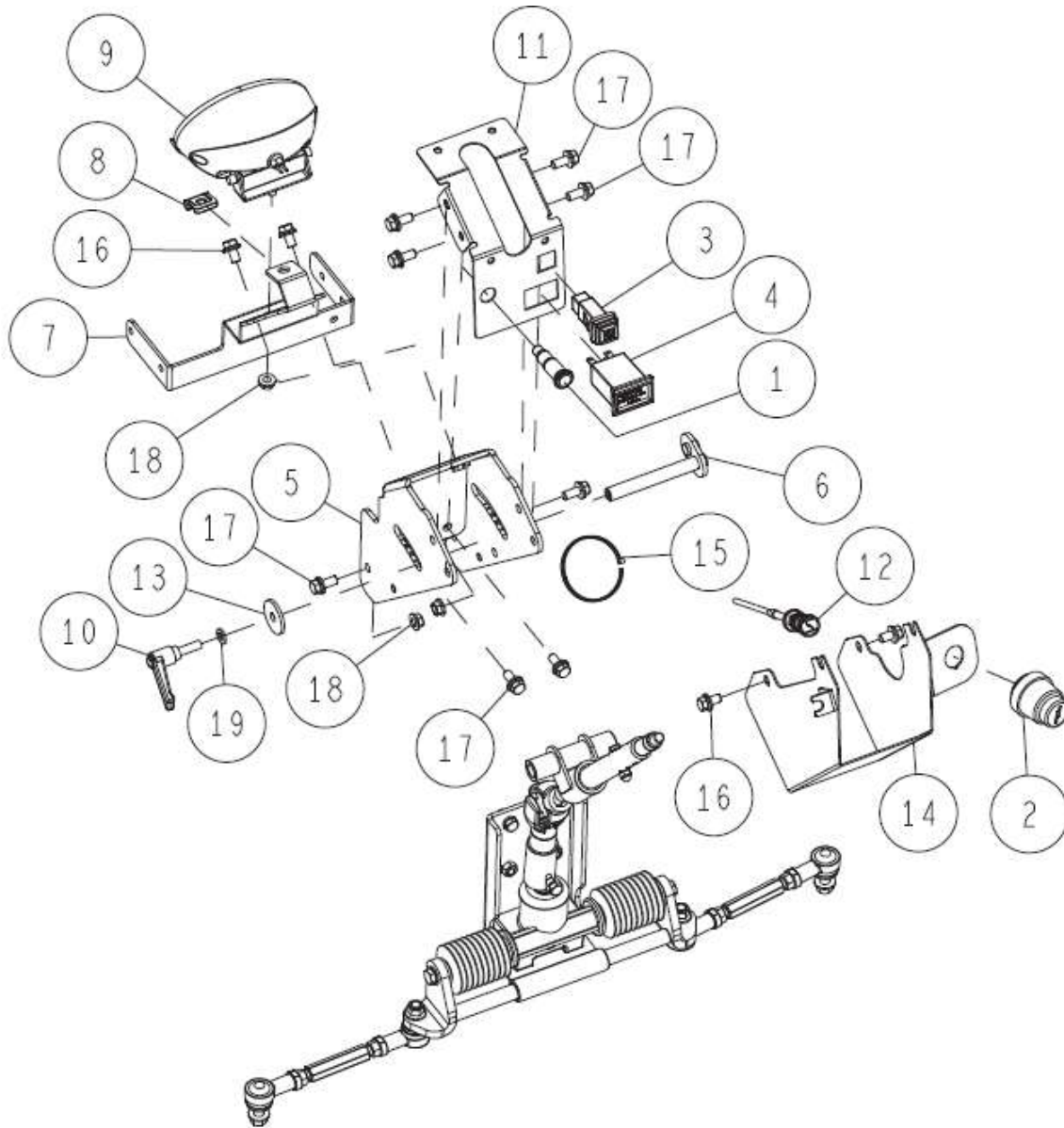
-	0322-01600	HST Oil Tank Assy (Black Cap)	1	3、7、8
1	-	HST Unit	1	※HSTUnit ASSY Refer.P18
2	0207-07700	Port Joint	1	
3	0207-08610	HST Oil Tank (without Tank Cap)	1	
4	0207-79800	Push Clip	1	
5	0227-74200	Wire Band 300	1	
6	0244-72700	HST Oil Hose	1	
7	0289-71200	Waterproof Packing	1	
8	0312-01800	HST Oil Tank Cap (Black)	1	
9	0312-74400	Hose Band 16-25	2	
10	0322-71600	Moisture Adsorption Sheet	1	
11	0348-0010H	Control Arm CMP (Metallic Grey)	1	
12	0348-00201	HST Oil Tank Setting CMP (White)	1	
13	89-1113-060122	Hexagonal Bolt (8T) M6*12	1	
14	89-1511-060042	Hexagonal Nut M6	1	
15	89-1543-080002	Mini Hexagonal Nut (SW) M8	1	
16	89-2151-050160	Key 5*16 (half round)	1	
17	89-5222-045000	O Ring G45	2	
Ref.	Parts Number	Parts Name	Q'ty	Remarks

26/70 Handle 1/4

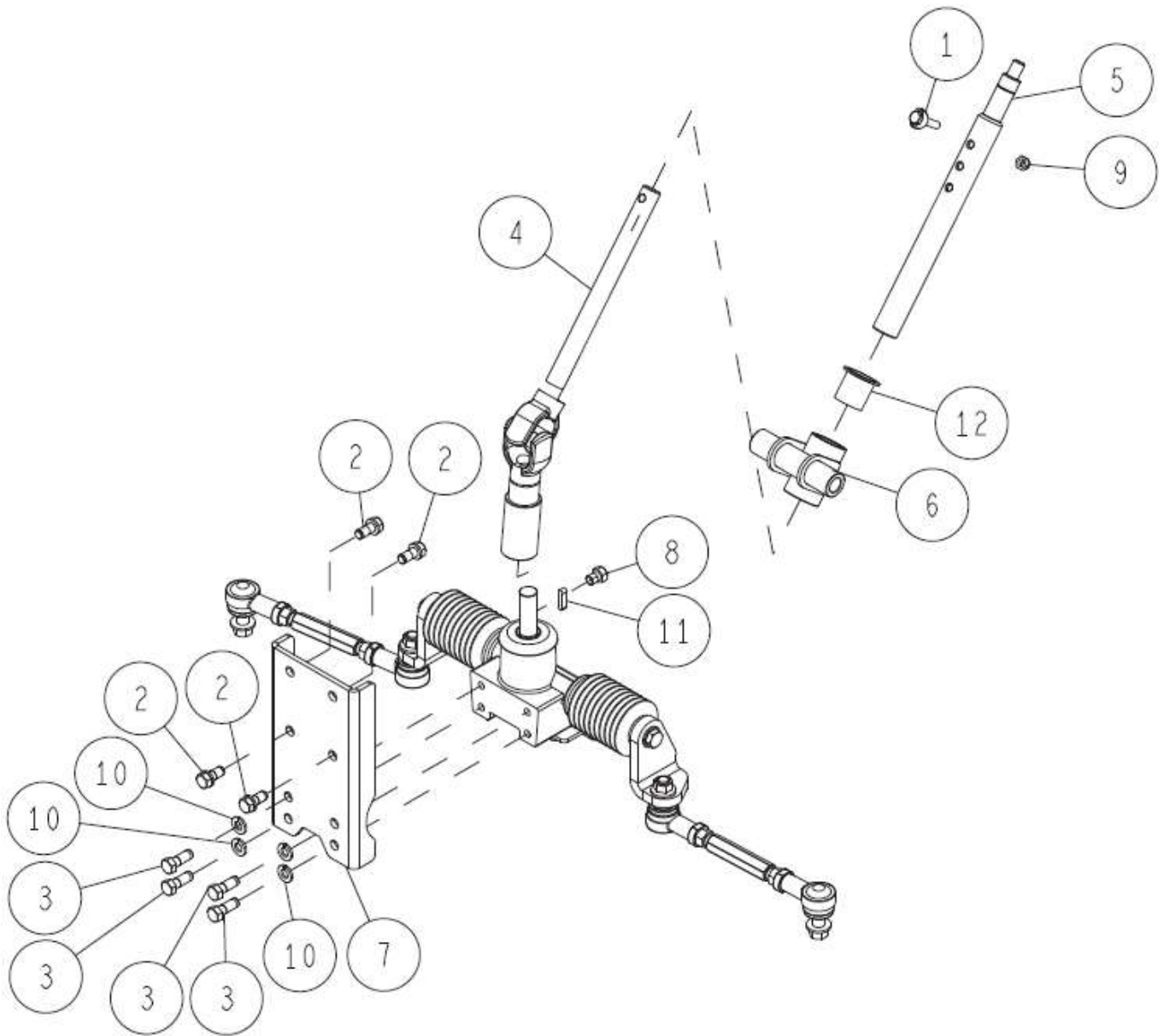


-	0262-70100	Steering Wheel Assy	1	2, 3, 4
1	0207-79200	Fuse Box Bracket	1	
2	0262-70300	Sub Handle Assy	1	
3	0262-70400	Steering Wheel	1	
4	0262-70500	Steering Cap	1	
5	0312-11701	Handle Stay Cover Holder (White)	2	
6	0312-77900	Fuse Box Cover	1	※Lid only
7	0322-11500	Meter Panel Cover	1	White rubber
8	0322-73000	Magnet Switch Set	1	
9	0348-14700	Fuse Box Bracket	1	
10	89-1137-060152	Hexagonal Bolt (PW) M6*15	4	
11	89-1159-060108	Truss Mini Screw M6*10	4	
12	89-1390-060162	Welded Bolt M6*16	1	
13	89-1531-060042	Flange Nut M6	4	
14	89-1541-060002	Hexagonal Nut (SW) M6	1	
15	89-1561-100002	Mini Hexagonal U Nut M10	1	
16	89-1713-100003	Flat Washer 10 (large)	1	
17	89-1812-060002	Toothed washer (inside) 6	1	
Ref.	Parts Number	Parts Name	Q'ty	Remarks

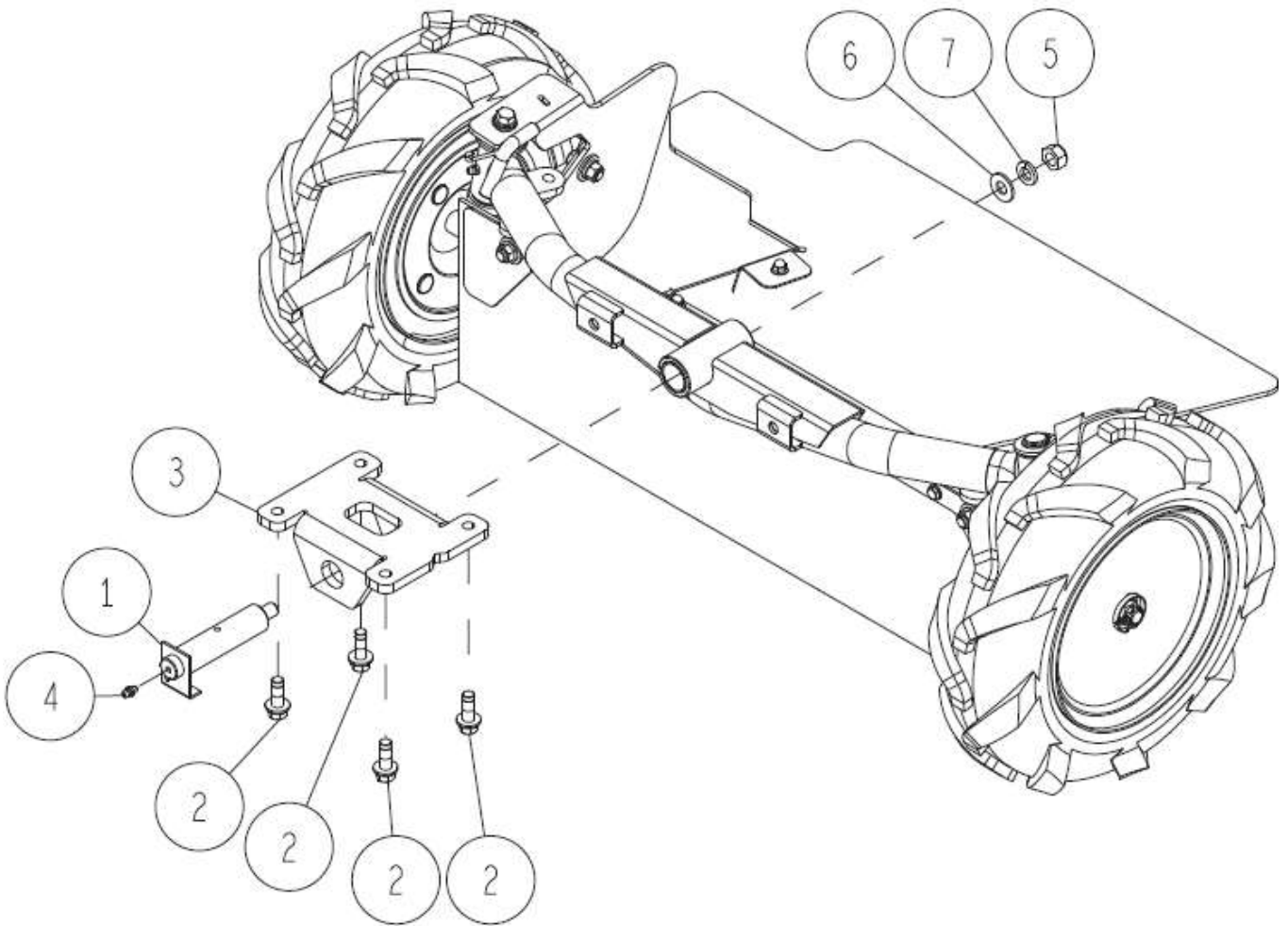
27/70 Handle 2/4



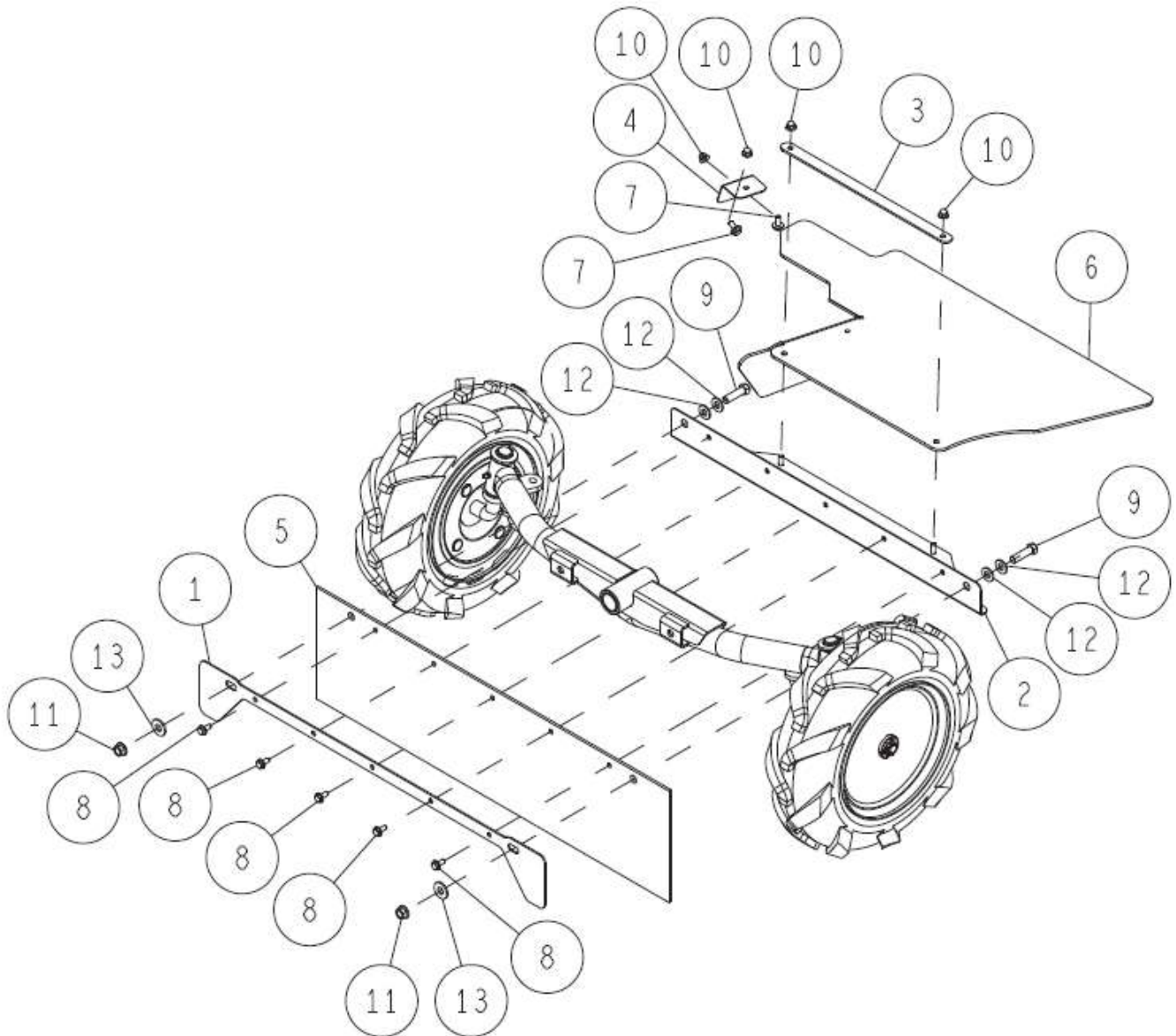
1	0207-79300	Pilot Lamp	1	
2	0207-79700	Key Switch (NMA03-A020)	1	
3	0244-70300	Lighting Switch	1	
4	0244-73600	Hour Meter	1	
5	0322-10511	Handle Stay CMP (White)	1	
6	0322-11100	Tilt Pin CMP	1	
7	0322-11701	Head Lamp Stay (White)	1	
8	0322-71100	Clip ϕ 6	1	
9	0322-71300	Head Lamp	1	
10	0322-71400	Cramp Lever 8*25	1	
11	0341-1410G	Meter Panel CMP (Green)	1	OR
12	0341-71100	Choke Wire	1	
13	0348-10700	Flat Washer 9*35*3.2	1	
14	0348-14201	Harness Panel CMP (White)	1	
15	83-1711-719-00	Wire Band 200L	1	
16	89-1233-080162	Mini Hexagonal Bolt (PWSW) M8*16	4	
17	89-1233-080202	Mini Hexagonal Bolt (PWSW) M8*20	8	
18	89-1631-080042	Flange Mini Hexagonal Nut M8	3	
19	89-1750-080002	Spring Washer 8	1	
Ref.	Parts Number	Parts Name	Q'ty	Remarks



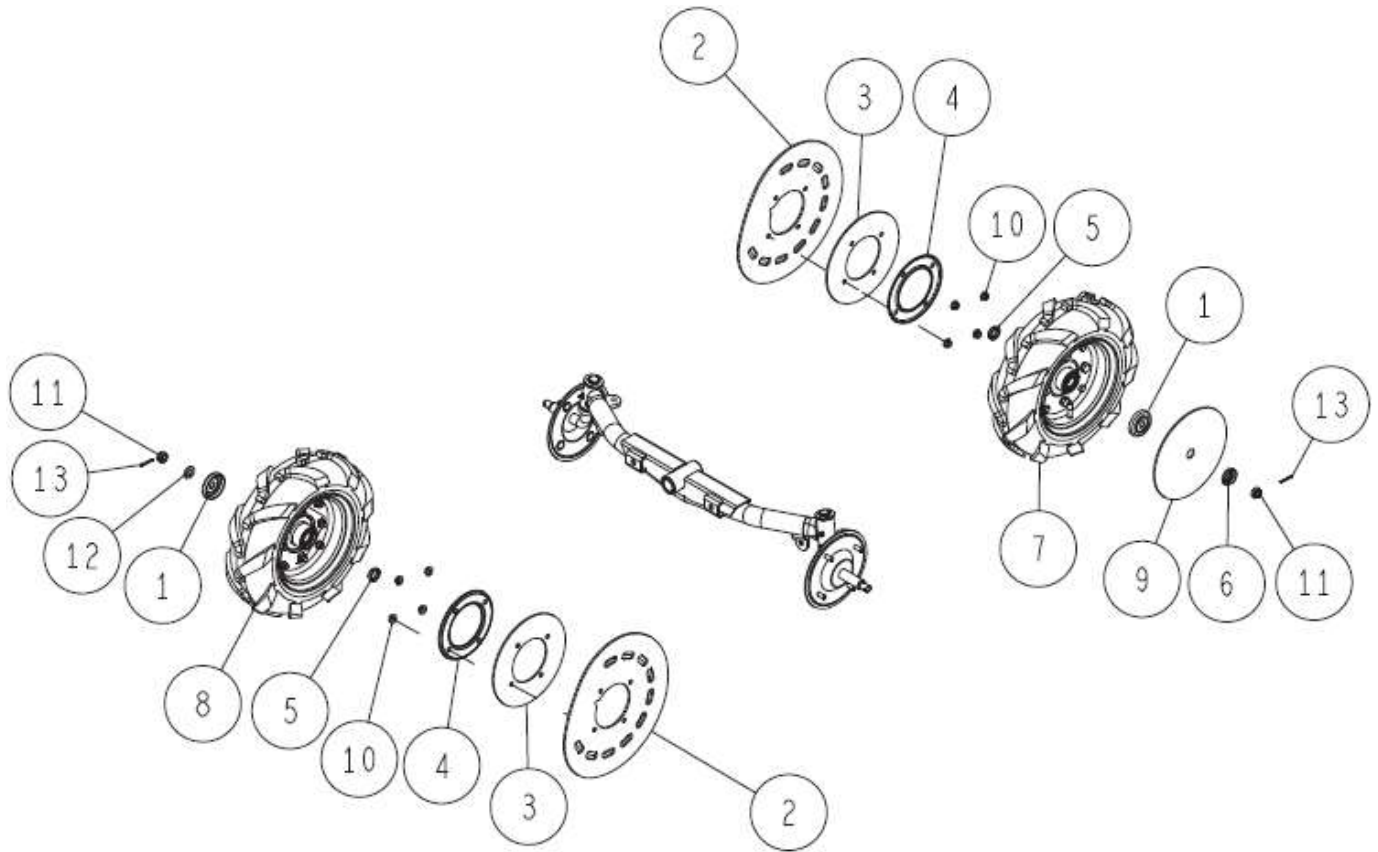
-	0342-77600	Handle Height Pipe Bolt Set	1	1, 9
1	0244-75800	Bolt for Upper Shaft Setting	1	
2	0245-74310	Hexagonal Bolt(SW) M8*18 7T (Meck)	4	
3	0314-70100	Mini Hexagonal Bolt (Meck) M8*22	4	
4	0322-10110	Steering Joint Shaft CMP	1	
5	0322-10210	Steering Upper Shaft CMP	1	
6	0322-10701	Handle Support CMP (White)	1	
7	0322-1080H	Steering Gear Box Bracket CMP (Metallic Grey)	1	
8	0322-11610	Mini Hexagonal Bolt (7T) M8*10 (Meck)	1	
9	89-1553-060002	Bag Hexagonal U Nut M6	1	
10	89-1750-080002	Spring Washer 8	4	
11	89-2150-050200	Key 5*20 (round)	1	
12	89-3511-022250	DU Bush 22.25.33F	1	
Ref.	Parts Number	Parts Name	Q'ty	Remarks



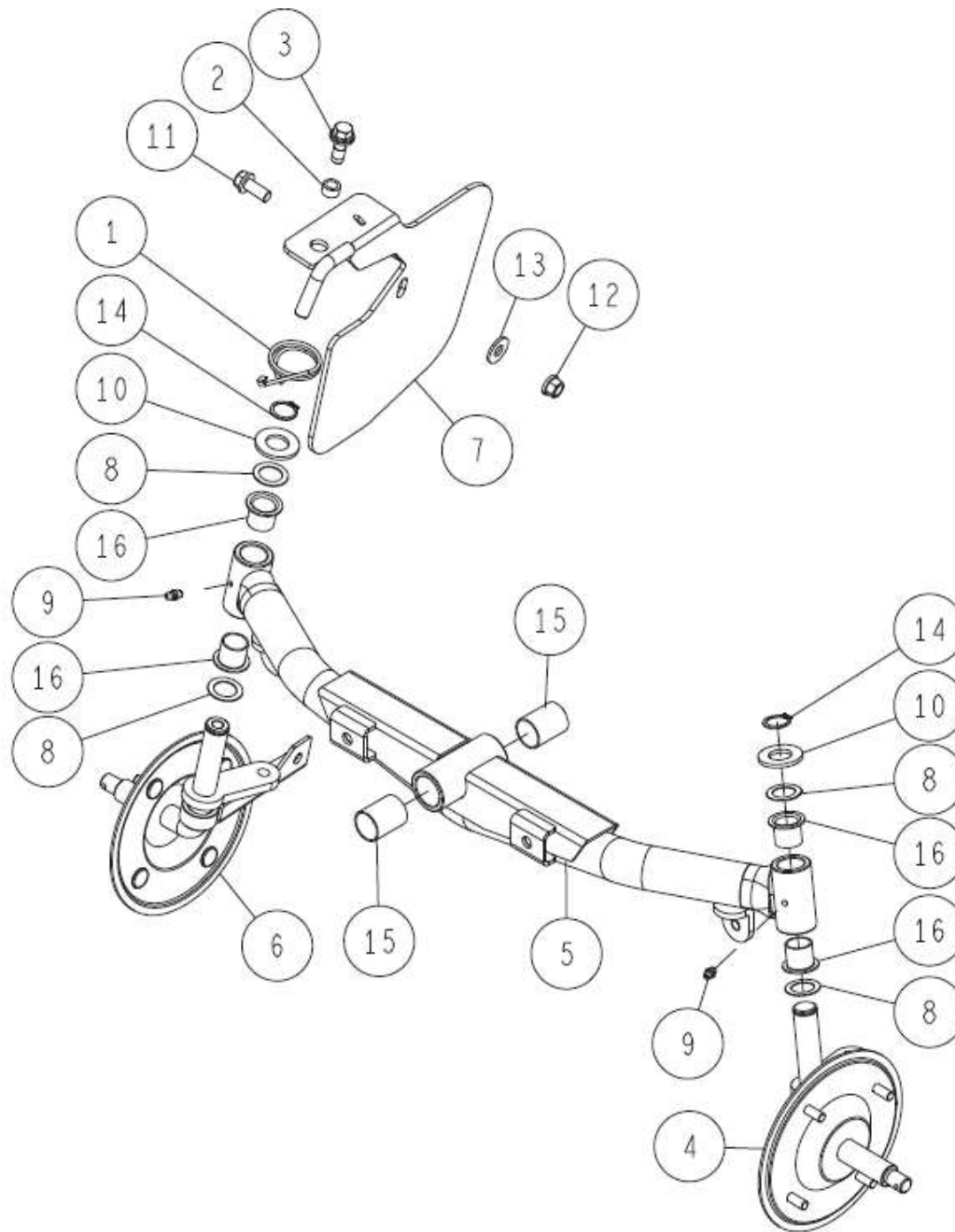
1	0207-30700	Center Pin	1	
2	0312-74300	Hexagonal Bolt (7T-SW.PW) M10*30 (Meck)	4	
3	0322-3030H	Front Axle Holder (Metallic Grey)	1	
4	83-1415-975-00	Grease Nipple M6	1	
5	89-1551-120002	Hexagonal U Nut M12	1	
6	89-1713-120002	Flat Washer 12 (large)	1	
7	89-1750-120002	Spring Washer 12	1	
Ref.	Parts Number	Parts Name	Q'ty	Remarks



1	0312-3350H	Front Flapper Holder (Metallic Grey)	1	
2	0322-3110H	Front Upper Guard CMP (Metallic Grey)	1	
3	0322-3130H	Upper Flapper Holder (Metallic Grey)	1	
4	0322-31500	Upper Flapper Holder (R)	1	
5	0329-33400	Front Flapper (RMK150)	1	
6	0341-30100	Upper Flapper	1	
7	83-1565-111-00	Hexagonal Bolt (with Big Washer) M6*16	2	
8	89-1137-060152	Hexagonal Bolt (PW) M6*15	5	
9	89-1213-100302	Mini Hexagonal Bolt (8T) M10*30	2	
10	89-1581-060042	Flange Cap Nut M6	4	
11	89-1631-100042	Flange Mini Hexagonal Nut M10	2	
12	89-1712-100002	Flat Washer 10*21*2.1	4	
13	89-1713-100002	Flat Washer 10 (large)	2	
Ref.	Parts Number	Parts Name	Q'ty	Remarks

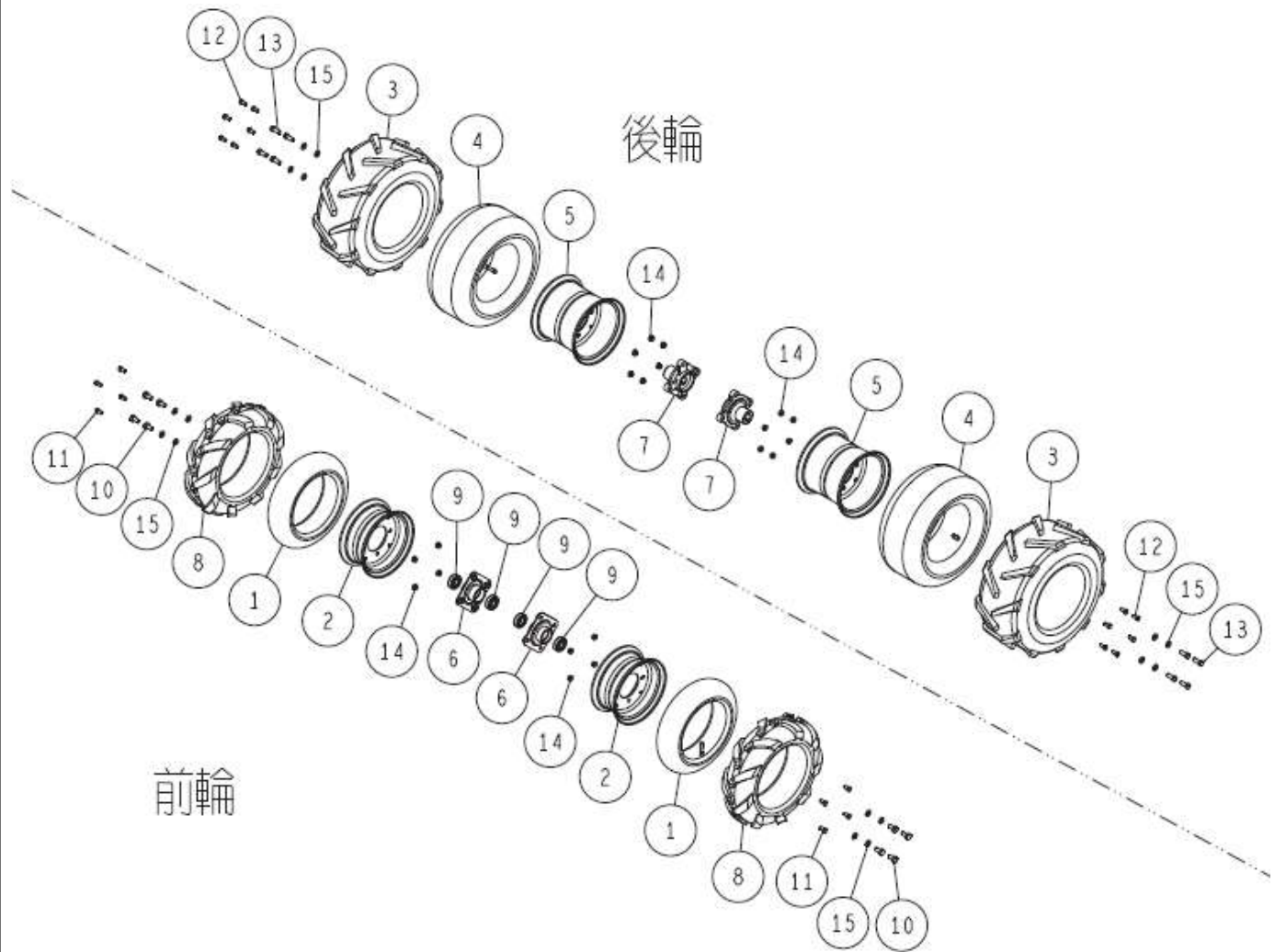


1	0207-30500	Front Wheel Dust Cover	2	
2	0207-30600	Front Wheel Rubber Cover	2	
3	0207-30800	Front Wheel Rubber Cover (IN) for 7inch	2	
4	0207-30900	Front Wheel Rubber Cover Support	2	
5	0207-31100	King Pin Collar	2	
6	0309-00600	Dust Cover for Main Shaft	1	
7	0322-32000	Front Tire (L) ASSY (3.50-7 TA) (Include Wheel Boss)	1	Details P34
8	0322-33000	Front Tire (R) ASSY (3.50-7 TA) (Include Wheel Boss)	1	Details P34
9	0349-31800	Front Wheel Rubber Cover (OUT)	1	
10	89-1631-080042	Flange Mini Hexagonal Nut M8	8	
11	89-1668-140042	Mini Low Fluted Nut (2 sorts) M14	2	
12	89-1750-140002	Spring Washer 14	1	
13	89-2120-250252	Split Pin 2.5*25	2	
Ref.	Parts Number	Parts Name	Q'ty	Remarks

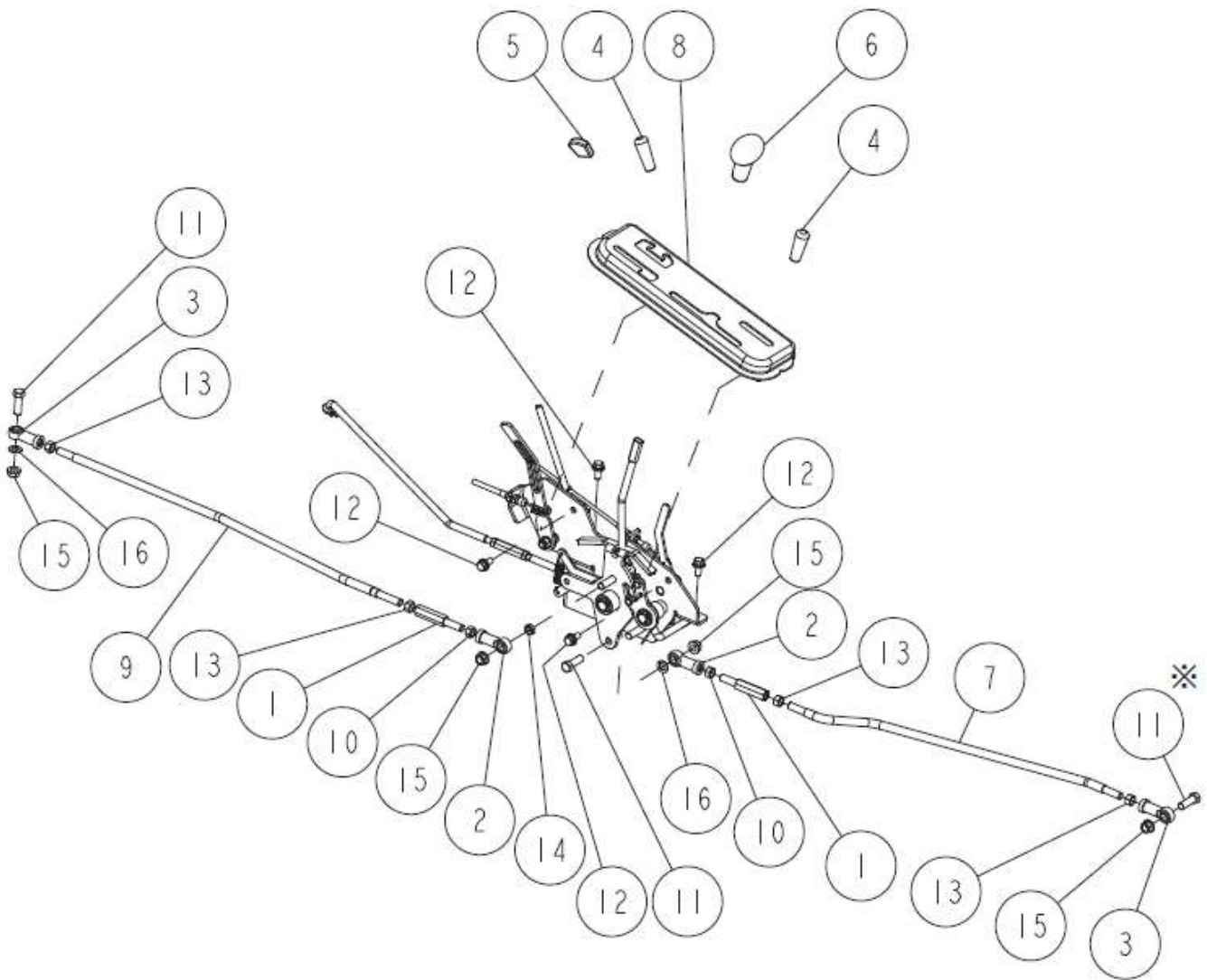


1	0259-30500	Protector Return Spring	1	
2	0259-30600	Protector Collar	1	
3	0312-74300	Hexagonal Bolt (7T-SW.PW) M10*30 (Meck)	1	
4	0322-3020H	King Pin (L) CMP (Metallic Grey)	1	
5	0329-3210H	Front Axle CMP (RMK150) (Metallic Grey)	1	
6	0341-3110H	King Pin (R) CMP (Metallic Grey)	1	
7	0341-3120H	Protector CMP (Metallic Grey)	1	
8	83-1310-371-00	Thrust Washer 20*30*1.0	4	
9	83-1415-975-00	Grease Nipple M6	2	
10	83-1490-337-00	Washer 20*38*3.2	2	
11	89-1232-100252	Mini Hexagonal Bolt (SW) M10*25	1	
12	89-1543-100002	Mini Hexagonal Nut (SW) M10	1	
13	89-1713-100002	Flat Washer 10 (large)	1	
14	89-2511-000200	Snap Ring (S20)	2	
15	89-3510-025350	DU Bush 25.35	2	
16	89-3511-020200	DU Bush 20.20.31F	4	
Ref.	Parts Number	Parts Name	Q'ty	Remarks

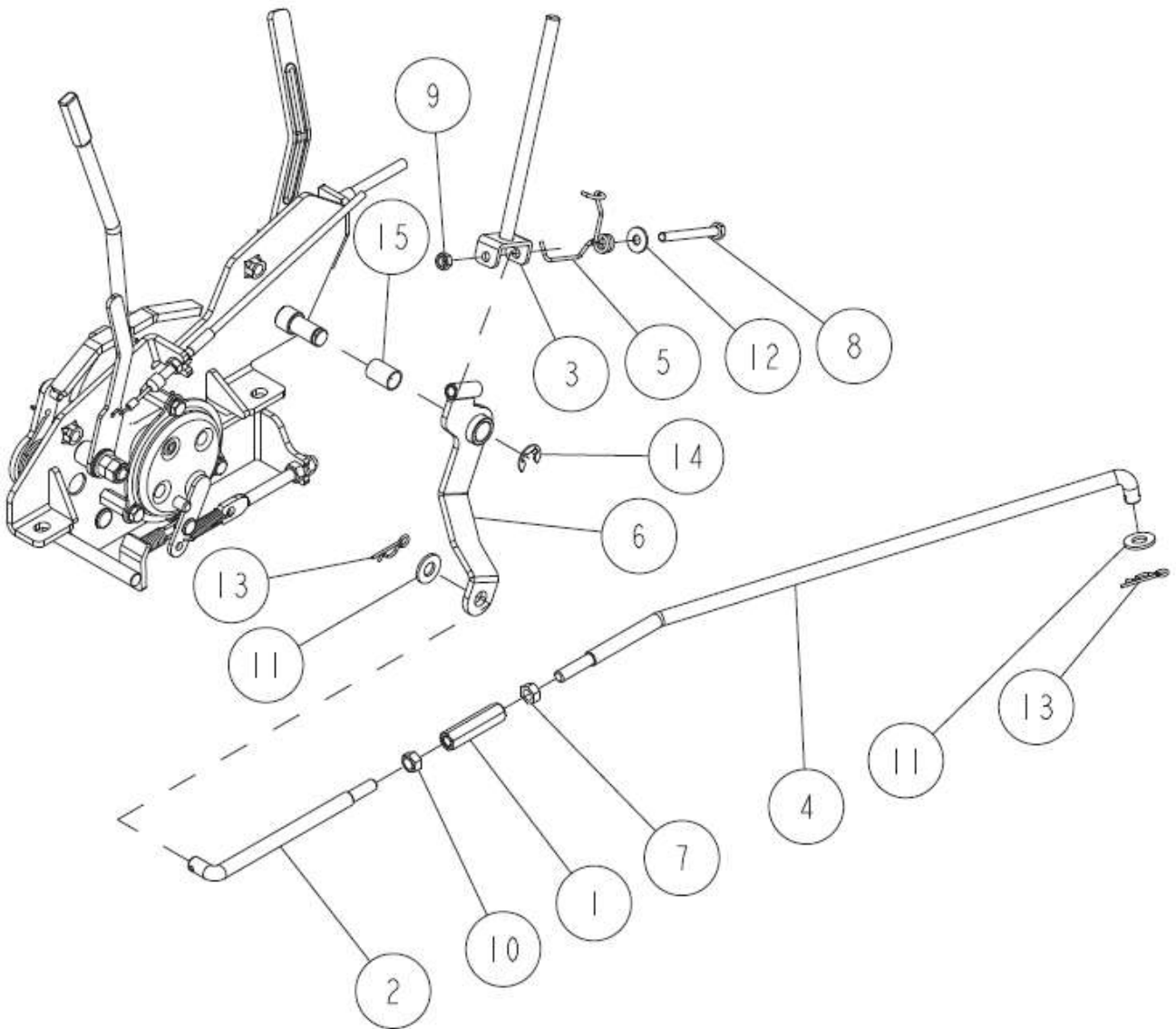
Tire (Front/Rear) 1/1



-	0322-35000	Tire Assy (R) 3.50-7 (TA)	1	1、2、8、11、14
-	0322-34000	Tire Assy (L) 3.50-7 (TA)	1	1、2、8、11、14
-	80-1751-412-00	Tire (R) Assy (16*7.00-8)	1	3、4、5、12、14
-	80-1751-411-00	Tire (L) Assy (16*7.00-8)	1	3、4、5、12、14
1	80-1260-404-00	Tire Tube 3.50-7	2	
2	80-1260-407-00	Wheel Assy 3.50-7	2	
3	80-1751-401-00	Tire 16*700*8	2	
4	80-1751-404-00	Tire Tube 16*700*8	2	
5	80-1751-407-00	Wheel Assy 16*700*8	2	
6	0207-30411	Front Wheel Boss CMP (White)	2	
7	0207-31201	Rear Wheel Boss (White)	2	
8	0322-32100	Tire 3.50-7 (TA)	2	
9	0342-77700	Bearing 6004 2NSE-NB	4	
10	89-1113-100202	Hexagonal Bolt (8T) M10*20	8	
11	89-1211-080162	Mini Hexagonal Bolt M8*16	8	
12	89-1213-080162	Mini Hexagonal Bolt (8T) M8*16	12	
13	89-1213-100252	Mini Hexagonal Bolt (8T) M10*25	8	
14	89-1543-080002	Mini Hexagonal Nut (SW) M8	20	
15	89-1750-100002	Spring Washer 10	16	
Ref.	Parts Number	Parts Name	Q'ty	Remarks

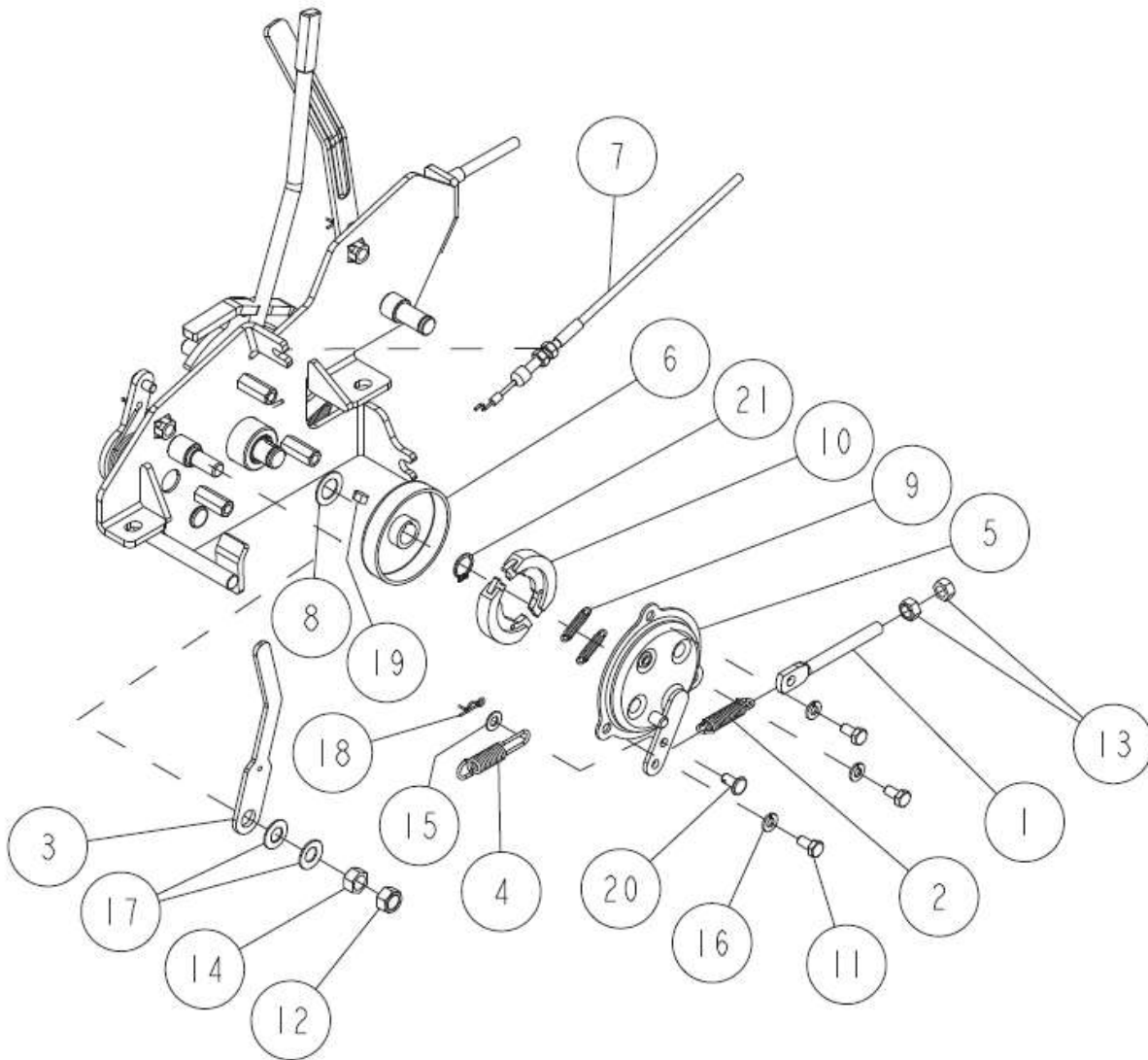


-	0348-11000	Shift Rod Assy	1	1, 2, 3, 9, 10, 13
-	0341-11010	Change Pedal Rod Assy	1	1, 2, 3, 7, 10, 13
1	80-1485-265-00	Shift Rod Adjuster	2	
2	80-1487-962-10	Rod End PHS10ECL	2	
3	80-1487-964-10	Rod End PHS10EC	2	
4	0317-71700	Lever Grip 8 (Black)	2	
5	0215-70600	Lever Grip (Red)	1	
6	0221-13200	Change Grip	1	
7	0341-11110	Change Pedal Rod	1	
8	0348-1020G	Control Guide CMP (Green)	1	OR
9	0348-11100	Shift Rod	1	
10	83-1488-195-02	Mini Hexagonal Nut M10 (L)	2	
11	89-1213-100302	Mini Hexagonal Bolt (8T) M10*30	3	※HMBZM00182~NoNeede
12	89-1233-080202	Mini Hexagonal Bolt (PWSW) M8*20	4	
13	89-1611-100042	Mini Hexagonal Nut M10	4	
14	89-1613-100042	Mini Hexagonal Nut (3 sorts) M10	1	
15	89-1631-100042	Flange Mini Hexagonal Nut M10	4	
16	89-1711-100002	Flat Washer 10*18*1.6	2	
Ref.	Parts Number	Parts Name	Q'ty	Remarks



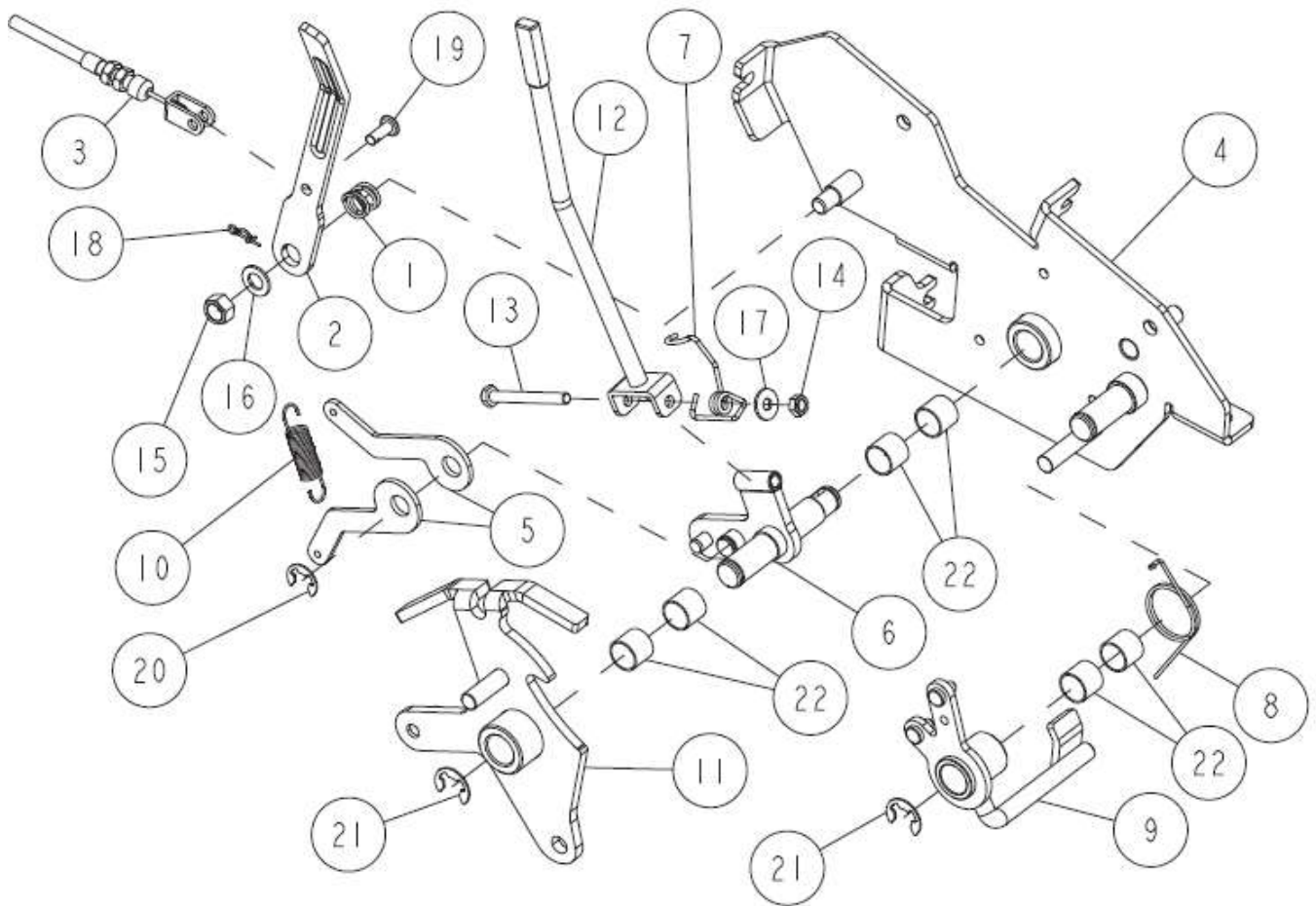
-	0244-14500	Sub Change Rod Assy	1	1, 2, 4, 7, 10
1	80-1791-597-00	Turn Buckle 8*50	1	
2	0207-11100	Sub Change Rod (front)	1	
3	0244-12700	Sub Change Lever CMP	1	
4	0244-13500	Sub Change Rod (rear)	1	
5	0312-13700	Spring for Change Lever	1	
6	0348-1040H	Sub Change Arm CMP (Metallic Grey)	1	
7	83-1484-195-00	Mini Hexagonal Nut M8 (L)	1	
8	89-1113-060552	Hexagonal Bolt (8T) M6*55	1	
9	89-1551-060002	Hexagonal U Nut M6	1	
10	89-1611-080042	Mini Hexagonal Nut M8	1	
11	89-1712-100002	Flat Washer 10*21*2.1	2	
12	89-1713-060002	Flat Washer 6 (large)	1	
13	89-2131-100002	Snap Pin 10	2	
14	89-2521-000100	E Type Ring 10	1	
15	89-3510-012200	DU Bush 12.20	1	
Ref.	Parts Number	Parts Name	Q'ty	Remarks

37/70 Control 3/4

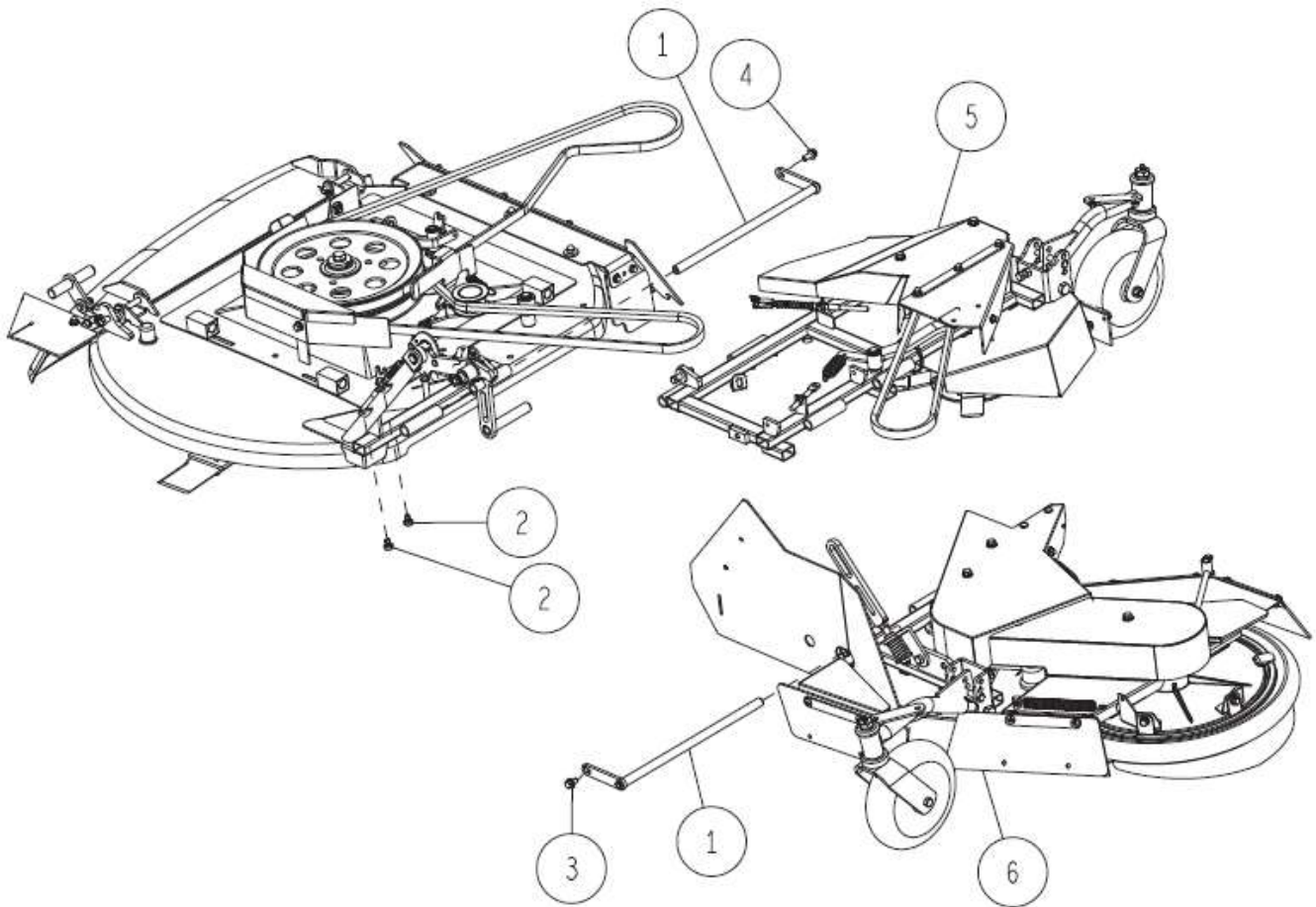


-	0312-17010	Change Brake Assy	1	5, 6, 9 × 2pcs, 10
1	0207-72300	Change Brake Adjuster	1	
2	0225-11800	Spring, Change Brake	1	
3	0312-12900	Throttle Lever	1	
4	0312-14200	Spring for Brake Pulling	1	
5	0312-17100	Brake Cover	1	
6	0312-17200	Brake Drum	1	
7	0322-75400	Throttle Wire	1	
8	83-1675-375-00	Thrust Washer 14*23*1.0	1	
9	85-1711-317-00	Shoe Return Spring	2	
10	85-1711-318-00	Brake Shoe Set	1	
11	89-1113-060122	Hexagonal Bolt (8T) M6*12	3	
12	89-1561-100002	Mini Hexagonal U Nut M10	1	
13	89-1611-080042	Mini Hexagonal Nut M8	2	
14	89-1611-100042	Mini Hexagonal Nut M10	1	
15	89-1711-060002	Flat Washer 6	1	
16	89-1750-060002	Spring Washer 6	3	
17	89-1852-100001	Belleville Spring H10	2	
18	89-2132-060002	Snap Pin 6 (with stopper)	1	
19	89-2150-050100	Key 5*10 (round)	1	
20	89-2181-060122	Flat Head Pin 6*12	1	
21	89-2511-000140	Snap Ring (S14)	1	
Ref.	Parts Number	Parts Name	Q'ty	Remarks

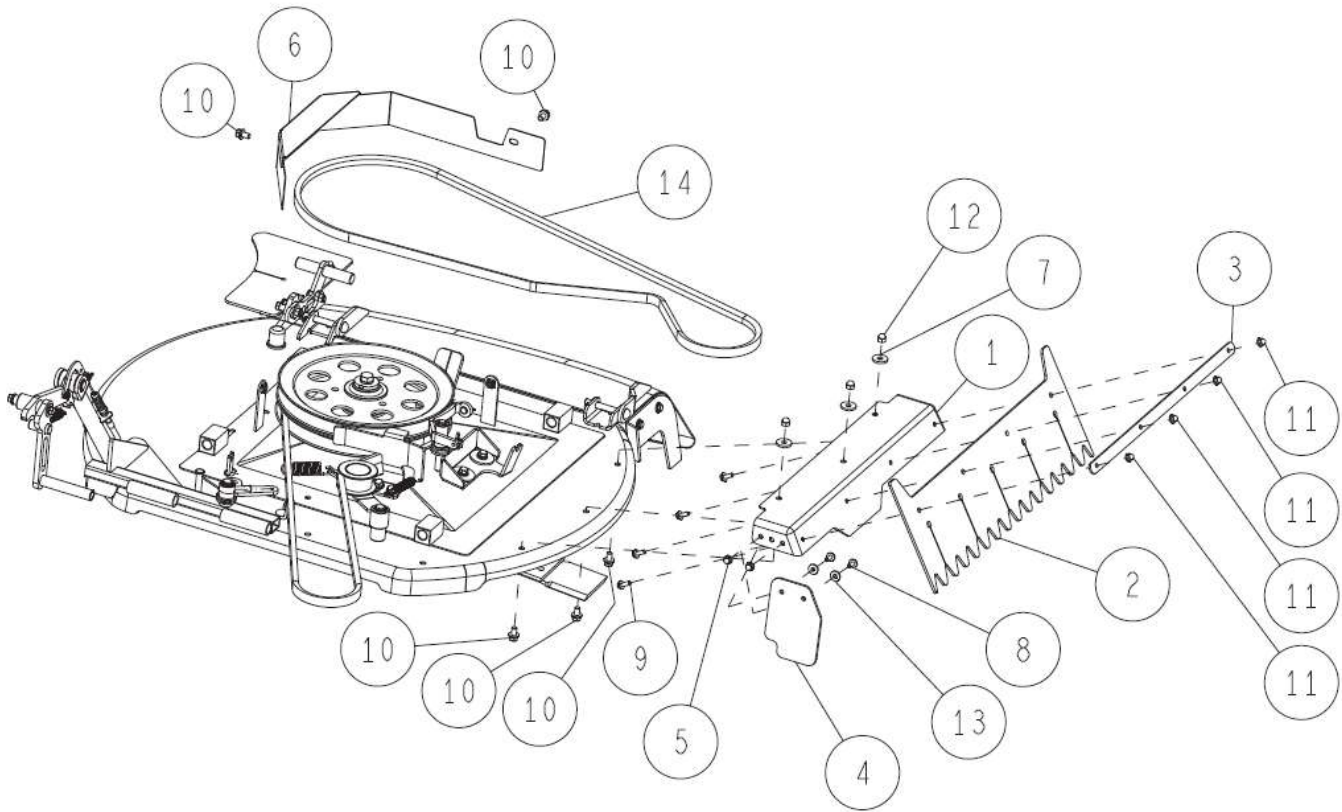
38/70 Control 4/4



1	80-1020-263-00	Control Lever Shaft Spring	1	
2	0244-13200	Differential Lock Lever CMP	1	
3	0244-72410	Differential Lock Wire	1	
4	0312-1210H	Change Bracket CMP (Metallic Grey)	1	
5	0312-1231H	Neutral Arm (Metallic Grey)	2	
6	0312-1242H	Change Lever Base CMP (Metallic Grey)	1	
7	0312-13700	Spring for Change Lever	1	
8	0312-13800	Spring for Change Return Arm	1	
9	0322-1240H	Change Return Arm CMP (Metallic Grey)	1	
10	0329-12500	Spring for Change Pedal	1	
11	0348-1010H	Change Lever Guide CMP (Metallic Grey)	1	
12	0348-10300	Change Lever CMP	1	
13	89-1113-060552	Hexagonal Bolt (8T) M6*55	1	
14	89-1551-060002	Hexagonal U Nut M6	1	
15	89-1561-100002	Mini Hexagonal U Nut M10	1	
16	89-1711-100002	Flat Washer 10*18*1.6	1	
17	89-1713-060002	Flat Washer 6 (large)	1	
18	89-2132-060002	Snap Pin 6 (with stopper)	1	
19	89-2181-060162	Flat Head Pin 6*16	1	
20	89-2521-000100	E Type Ring 10	1	
21	89-2521-000120	E Type Ring 12	2	
22	89-3510-016150	DU Bush 16.15	6	
Ref.	Parts Number	Parts Name	Q'ty	Remarks

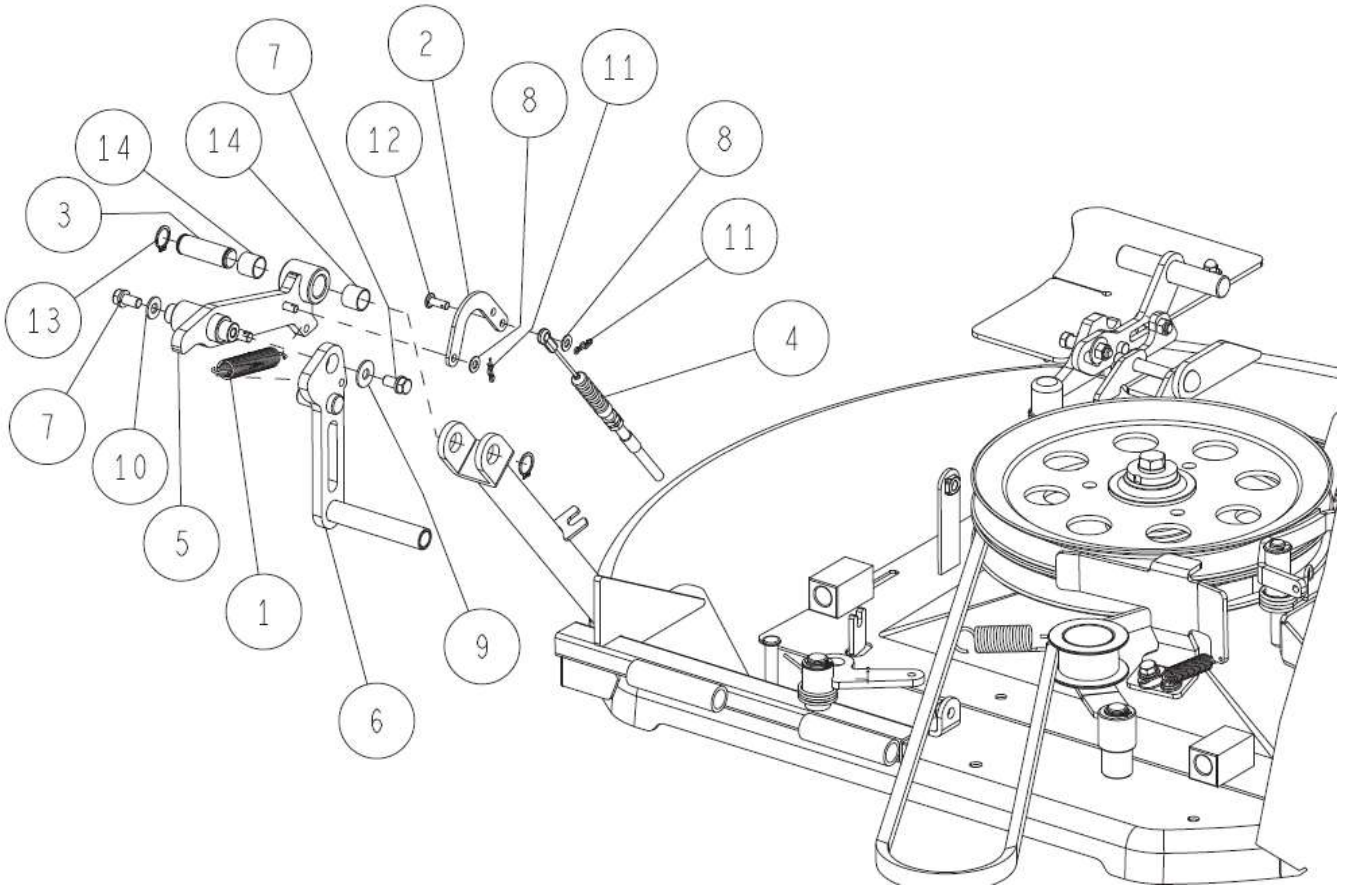


1	0356-53400	Offset Connecting Pipe CMP	2	
2	83-1321-236-00	Rivet Clip	2	
3	89-1233-080162	Mini Hexagonal Bolt (PWSW) M8*16	1	
4	89-1233-080202	Mini Hexagonal Bolt (PWSW) M8*20	1	
5	-	Middle Cover Part	1	Details P47~
6	-	Cutting Offset Part	1	Details P52~
Ref.	Parts Number	Parts Name	Q'ty	Remarks

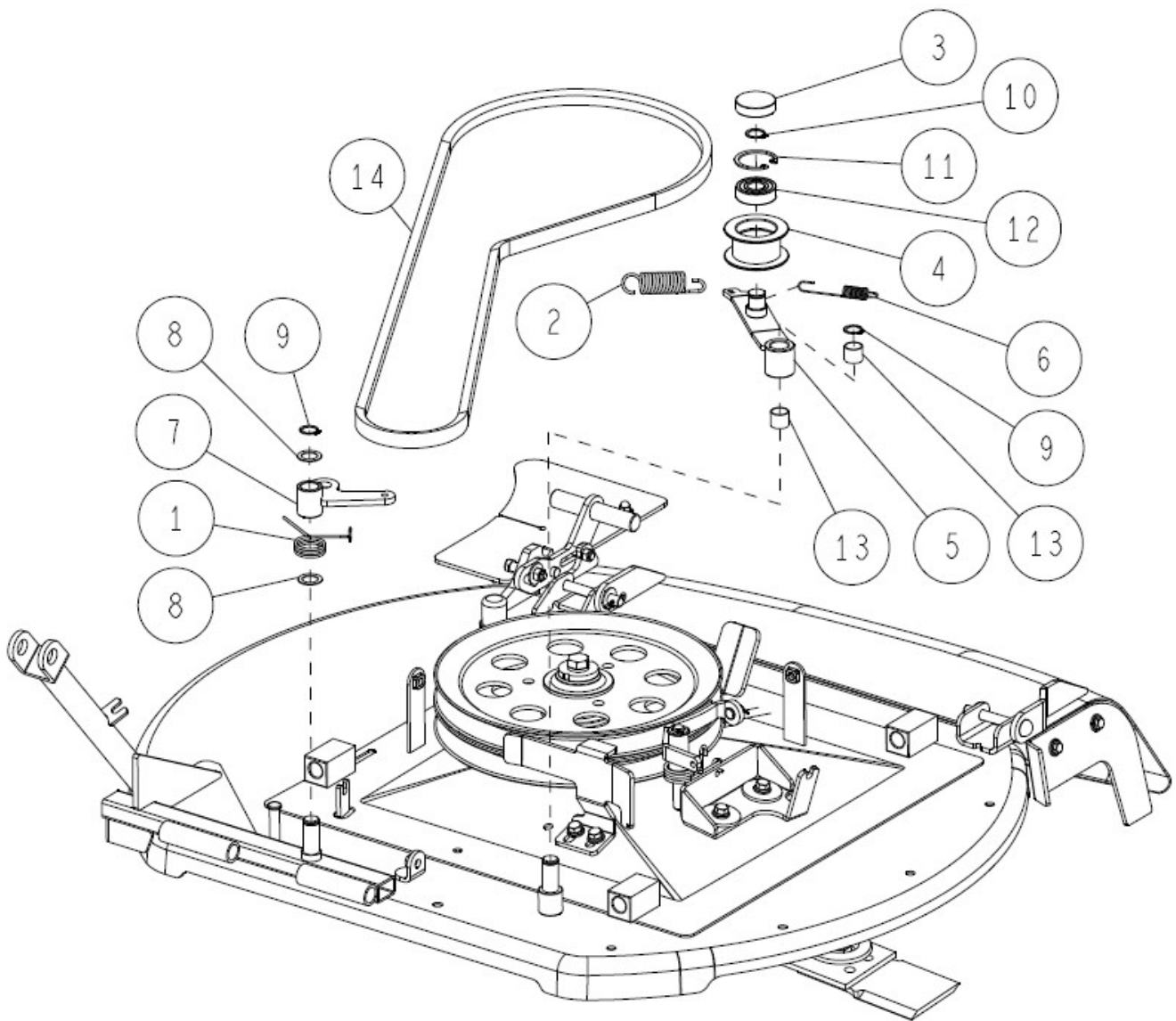


1	0244-6120H	Rear Guard (Metallic Grey)	1	
2	0244-61300	Rear Guard Flapper	1	
3	0244-6140H	Rear Guard Flapper Holder (Metallic Grey)	1	
4	0312-50700	Side Rear Flapper (L)	1	
5	0312-77500	Flange Cap Nut M6 (Meck)	2	
6	0329-6050H	Knife Belt Cover CMP (RMK150) (Metallic Grey)	1	
7	83-1751-312-00	Washer 8*25*3.2	3	
8	89-1137-060152	Hexagonal Bolt (PW) M6*15	2	
9	89-1137-060172	Hexagonal Bolt (PW) M6*17	4	
10	89-1233-080162	Mini Hexagonal Bolt (PWSW) M8*16	5	
11	89-1581-060042	Flange Cap Nut M6	4	
12	89-1671-080042	Mini Cap Nut M8	3	
13	89-1713-060002	Flat Washer 6 (large)	2	
14	89-6123-007702	V Belt SB-77 (W800)	1	
Ref.	Parts Number	Parts Name	Q'ty	Remarks

41/70 Cutting 3/8

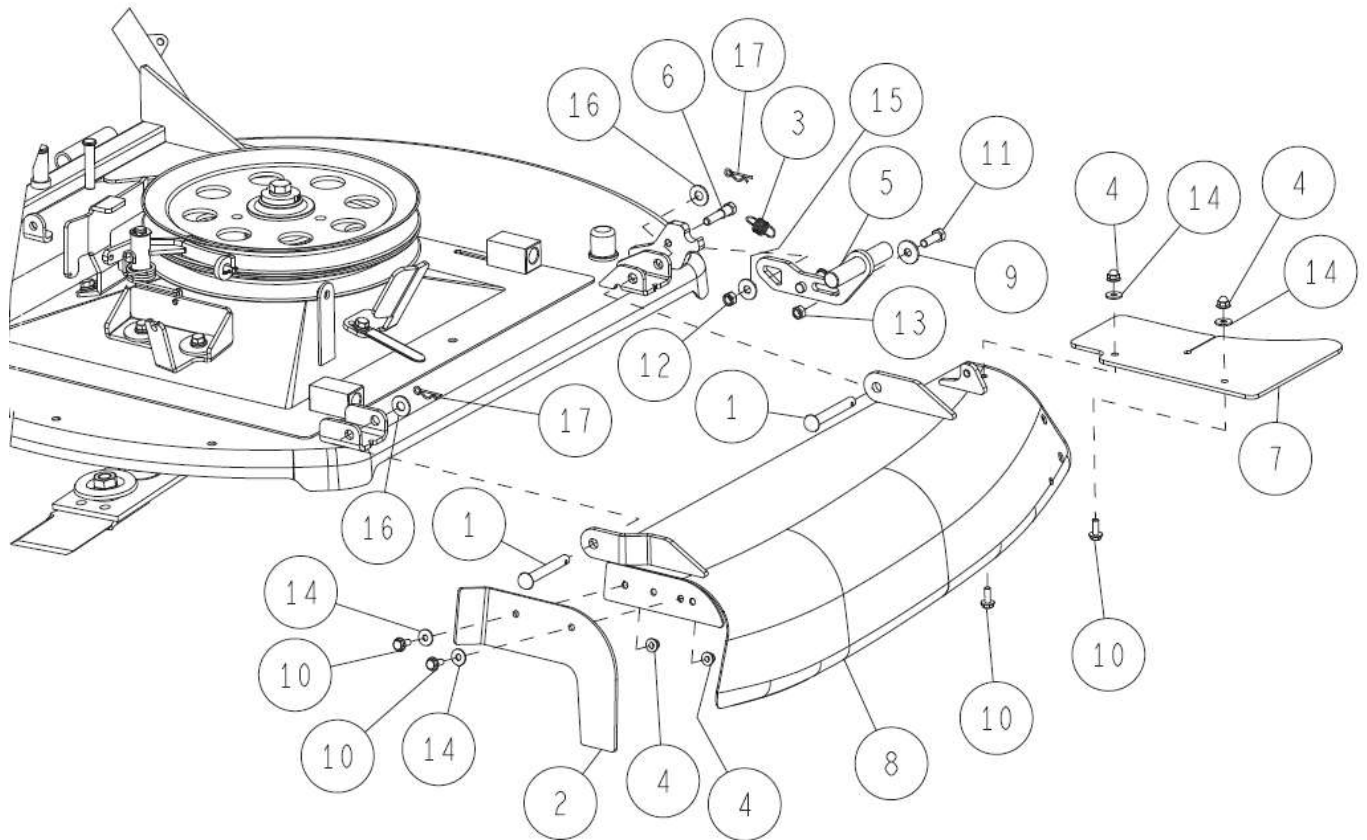


1	80-1425-551-00	Differential Lock Spring	1	
2	0223-11600	Wire Joint	1	
3	0303-53500	Hunger Pin	1	
4	0329-70900	Wire, Middle Tension (RMK150)	1	
5	0356-5320H	Connecting Hunger CMP (Metallic Grey)	1	
6	0356-53600	Connecting Hunger Arm CMP	1	
7	89-1232-080162	Mini Hexagonal Bolt (SW) M8*16	2	
8	89-1711-060002	Flat Washer 6	2	
9	89-1713-080002	Flat Washer 8 (large)	1	
10	89-1714-080002	Flat Washer 8	1	
11	89-2132-060002	Snap Pin 6 (with stopper)	2	
12	89-2181-060162	Flat Head Pin 6*16	1	
13	89-2511-000160	Snap Ring (S16)	2	
14	89-3510-016150	DU Bush 16.15	2	
Ref.	Parts Number	Parts Name	Q'ty	Remarks



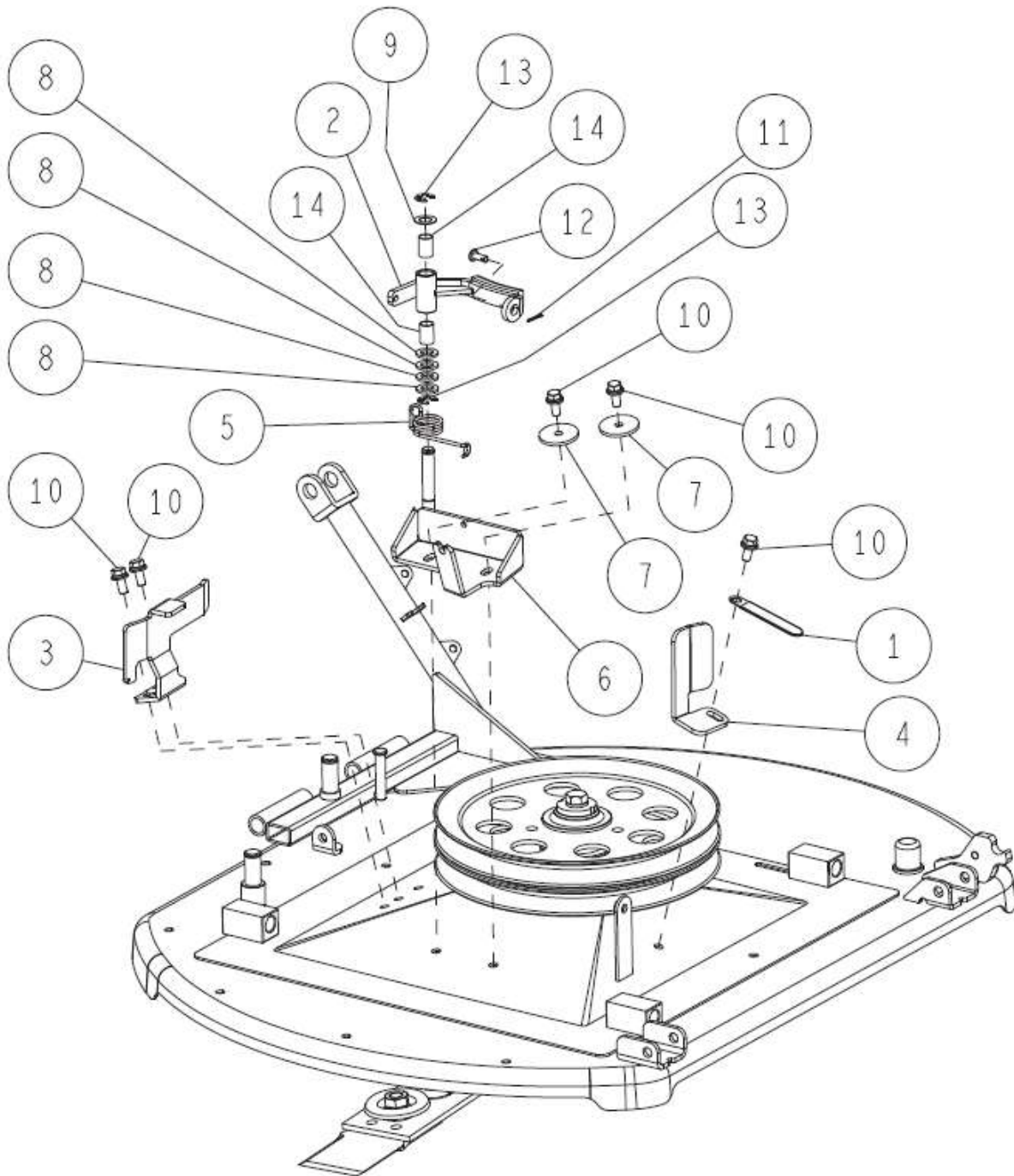
-	0272-41000	Tension Pulley (B) Assy	1	4,11,12
1	80-1483-568-00	Knife Tension Return Spring ϕ 29.0	1	
2	80-1485-551-00	Driving Tension Spring	1	
3	0234-70500	Blind Cover 40	1	
4	0272-40200	Tension Pulley (B)	1	
5	0303-5110H	Middle Tension Arm (A) CMP (Metallic Grey)	1	
6	0309-80600	Spring for Stopper Stay Return	1	
7	0356-5650H	Joint Link CMP (Metallic Grey)	1	
8	83-1020-363-00	Thrust Washer 16*24*1.0	2	
9	89-2511-000160	Snap Ring (S16)	2	
10	89-2511-000170	Snap Ring (S17)	1	
11	89-2512-000400	Snap Ring (R40)	1	
12	89-3115-062034	Bearing 6203 2RS	1	
13	89-3510-016150	DU Bush 16.15	2	
14	89-6123-007402	V Belt SB-74 (W800)	1	
Ref.	Parts Number	Parts Name	Q'ty	Remarks

43/70 Cutting 5/8



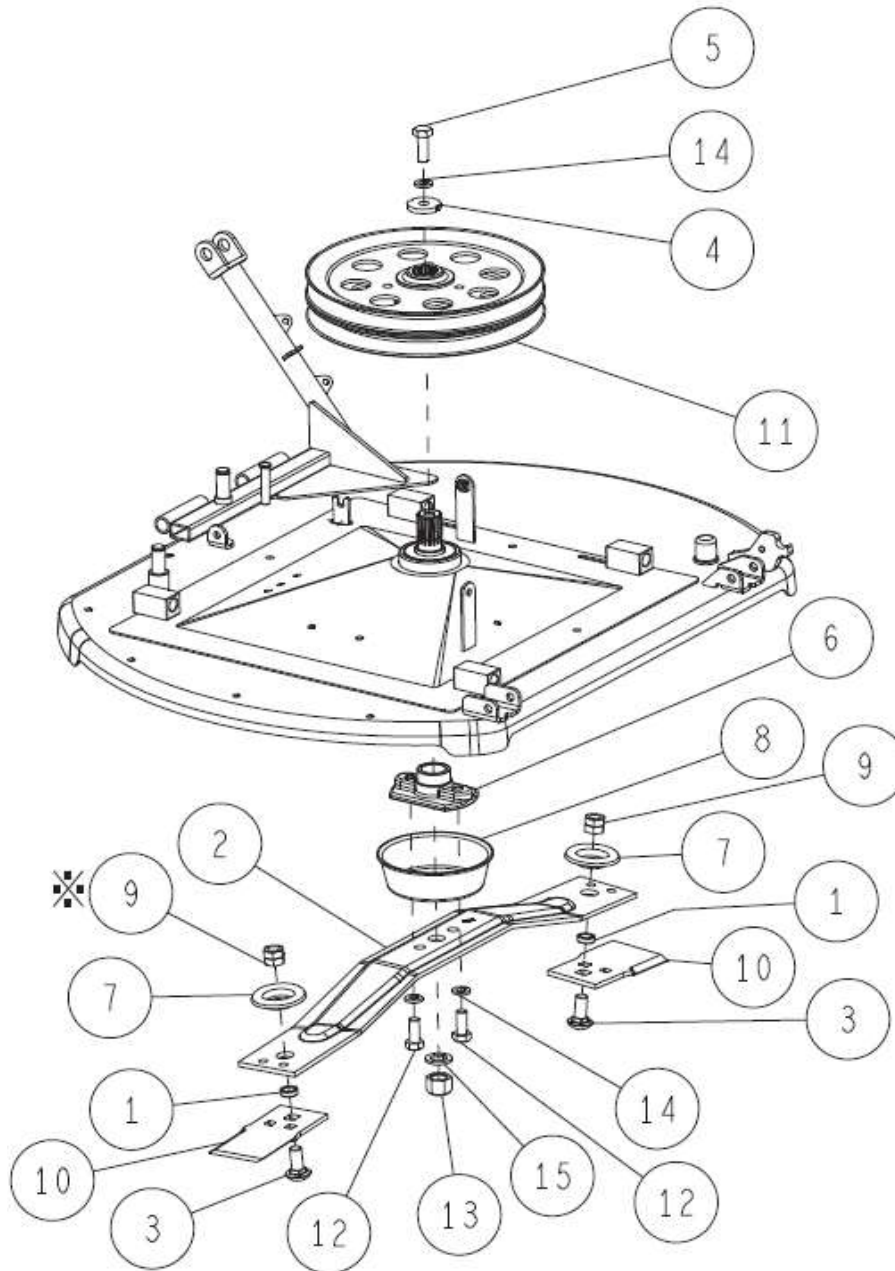
1	0244-63900	Round Head Pin 10*72	2	
2	0284-51600	Side Flapper (Rear Right 88)	1	
3	0312-23200	Brake Stopper Return Spring	1	
4	0312-77500	Flange Cap Nut M6 (Meck)	4	
5	0341-50500	Right Cover Up/Down Arm CMP	1	
6	0341-50600	Stepped Bolt M8	1	
7	0341-51100	Right Cover Flapper (Front)	1	
8	0349-5020H	Right Cover CMP (Metallic Grey)	1	
9	83-1751-311-00	Flat Washer 8*25*2.3	1	
10	89-1137-060172	Hexagonal Bolt (PW) M6*17	4	
11	89-1213-080252	Mini Hexagonal Bolt (8T) M8*25	1	
12	89-1561-080002	Mini Hexagonal U Nut M8	1	
13	89-1611-080042	Mini Hexagonal Nut M8	1	
14	89-1713-060002	Flat Washer 6 (large)	4	
15	89-1713-080002	Flat Washer 8 (large)	1	
16	89-1714-100002	Flat Washer 10	2	
17	89-2131-100002	Snap Pin 10	2	
Ref.	Parts Number	Parts Name	Q'ty	Remarks

44/70 Cutting 6/8

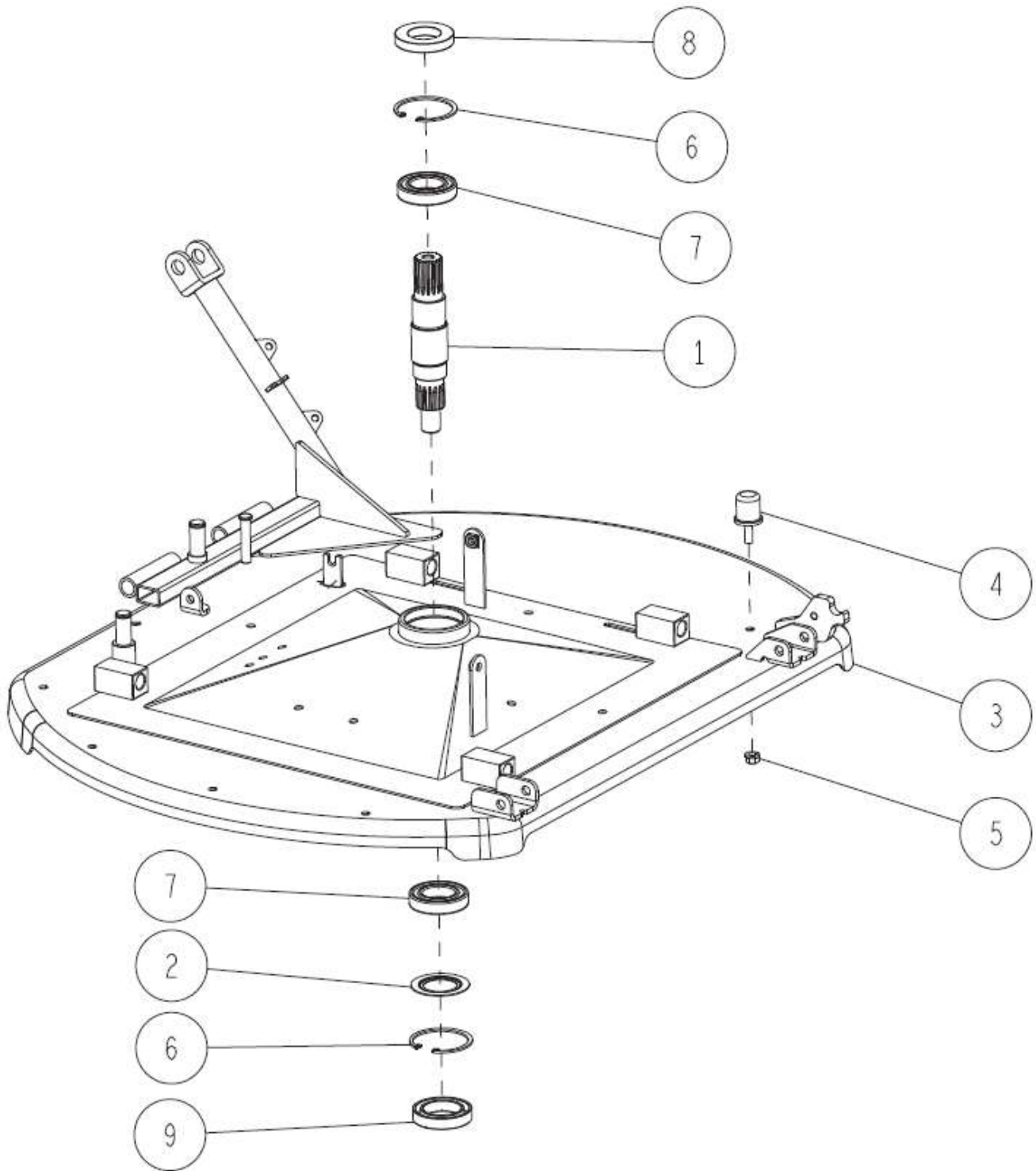


1	80-1792-988-00	Harness Clip 8	1	
2	0244-5060H	Knife Brake (Metallic Grey)	1	
3	0303-5811H	Knife Belt Holder (L) (Metallic Grey)	1	
4	0303-5820H	Knife Belt Holder (R) (Metallic Grey)	1	
5	0356-51300	Brake Return Spring	1	
6	0356-5140H	Knife Brake Bracket CMP (Metallic Grey)	1	
7	83-1020-314-00	Washer 8*40*2.3	2	
8	83-1565-329-02	Washer 13*22*2.3	4	
9	83-1754-329-00	Washer 13*22*1.0	1	
10	89-1233-080202	Mini Hexagonal Bolt (PWSW) M8*20	5	
11	89-2120-200152	Split Pin 2*15	1	
12	89-2181-060162	Flat Head Pin 6*16	1	
13	89-2521-000100	E Type Ring 10	2	
14	89-3510-012200	DU Bush 12.20	2	
Ref.	Parts Number	Parts Name	Q'ty	Remarks

45/70 Cutting 7/8

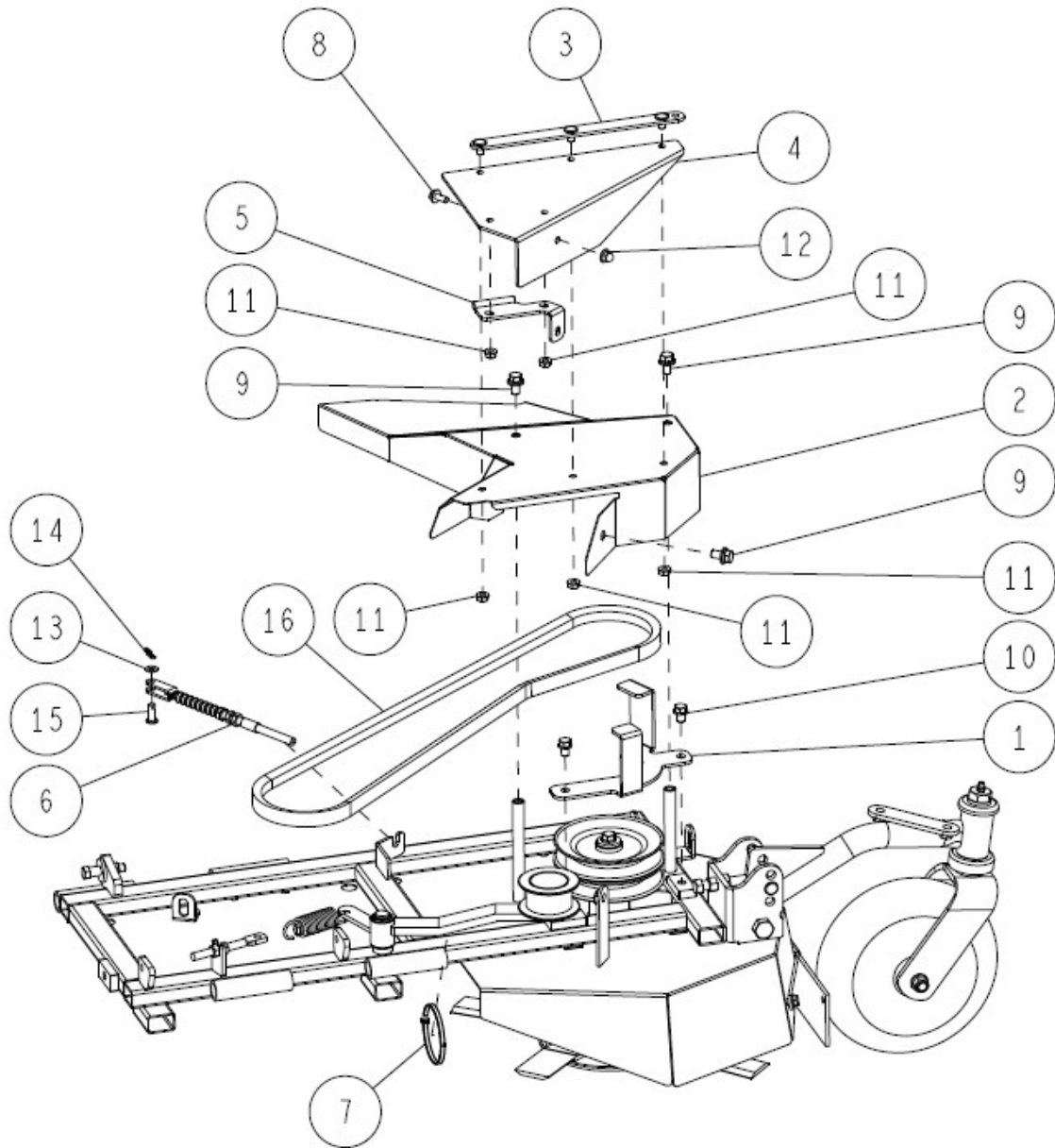


-	0244-78010	Knife & Blade Bolt Set RM85	1	1×2, 3×4, 7×2, 9×2, 10×2
-	0244-78210	Knife Setting Bolt Set M14	2	3 × 2pcs, 7 , 9
1	80-1483-818-00	Knife Collar	2	
2	80-1493-817-10	Knife Stay	1	
3	0207-50200	Knife Setting Bolt M14*34	2	
4	0221-76100	Washer 12*40*6	1	
5	0221-76300	Hexagonal Bolt (Meck) M12*35	1	
6	0238-5110H	Knife Bracket (Metallic Grey)	1	
7	0244-51800	Nut Guard 14	2	
8	0244-5210H	Knife Neck Guard (Metallic Grey)	1	
9	0244-74600	Hard Lock Nut M14	2	
10	0244-89100	Blade RM85	2	
11	0356-5150H	Knife Pulley (A) CMP (Metallic Grey)	1	
12	83-1483-129-00	Mini Hexagonal Bolt (8T) M12*30	2	
13	83-1483-175-00	Bag Nut M20 (Lock)	1	
14	89-1750-120002	Spring Washer 12	3	
15	89-1750-200002	Spring Washer 20	1	
Ref.	Parts Number	Parts Name	Q'ty	Remarks



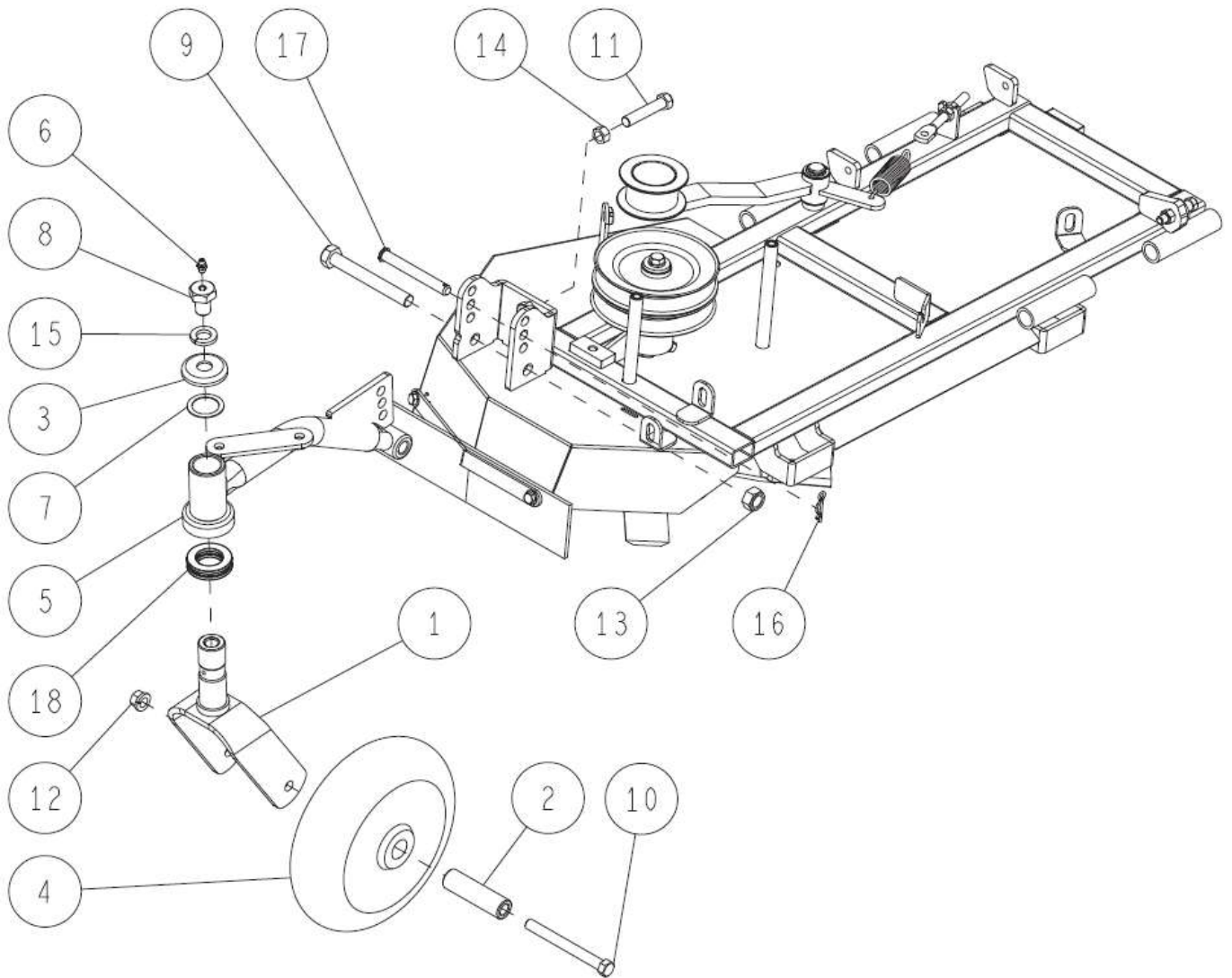
1	0221-50110	Vertical Shaft (A)	1	
2	0262-50100	Dust Plate	1	
3	0356-5010H	Safety Cover CMP (Metallic Grey)	1	
4	84-1675-836-10	Stopper Cushion Rubber	1	
5	89-1543-080002	Mini Hexagonal Nut (SW) M8	1	
6	89-2512-000620	Snap Ring (R62)	2	
7	89-3115-060074	Bearing 6007 2RS	2	
8	89-5121-356210	Oil Seal UE 35.62.10	1	
9	89-5121-406212	Oil Seal UE 40.62.12	1	
Ref.	Parts Number	Parts Name	Q'ty	Remarks

47/70 Middle Cover 1/5



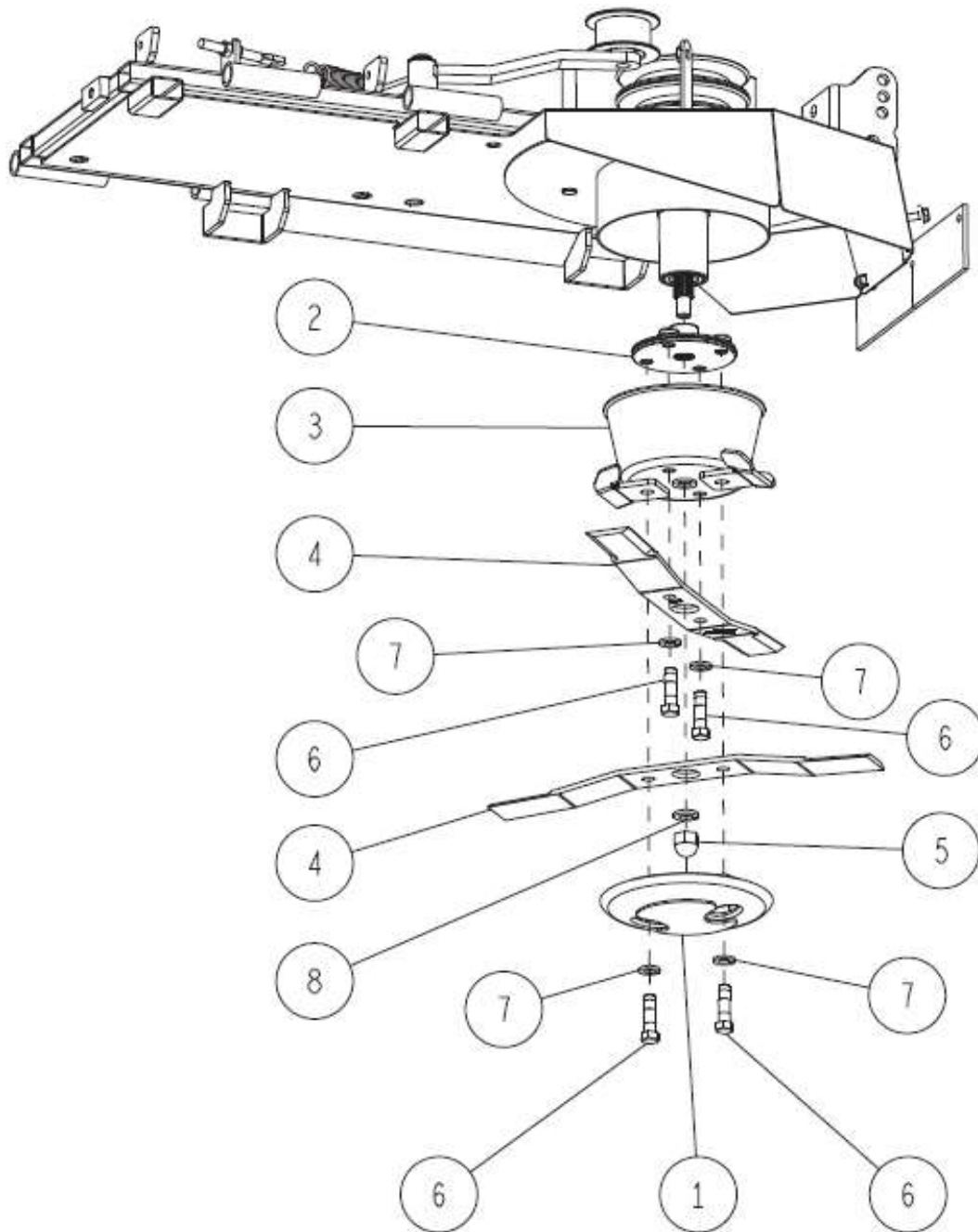
1	0356-5260H	Middle Belt Holder (Metallic Grey)	1	
2	0356-60111	Middle Belt Cover CMP (White)	1	HMBZM00137~
	0356-60101	Middle Belt Cover CMP (White)	1	~HMBZJ00136
3	0356-62400	Middle Swing Cover Holder (B) CMP	1	HMBZM00137~
	0303-5610H	Offset Flapper Holder (B) (Metallic Grey)	1	~HMBZJ00136
4	0356-62510	Middle Swing Cover	1	
5	0356-62610	Middle Swing Cover Holder CMP	1	
6	0356-70100	Offset Wire	1	
7	83-1711-719-00	Wire Band 200L	1	
8	89-1137-060152	Hexagonal Bolt (PW) M6*15	1	
9	89-1233-080162	Mini Hexagonal Bolt (PWSW) M8*16	3	
10	89-1235-080122	Mini Hexagonal Bolt (SW) M8*12	2	
11	89-1531-060042	Flange Nut M6	5(2)	~HMBZJ00136-()Qty
12	89-1581-060042	Flange Cap Nut M6	1(4)	~HMBZJ00136-()Qty
13	89-1711-060002	Flat Washer 6	1	
14	89-2132-060002	Snap Pin 6 (with stopper)	1	
15	89-2181-060182	Flat Head Pin 6*18	1	
16	89-6123-005202	V Belt SB-52 (W800)	1	
Ref.	Parts Number	Parts Name	Q'ty	Remarks

48/70 Middle Cover 2/5



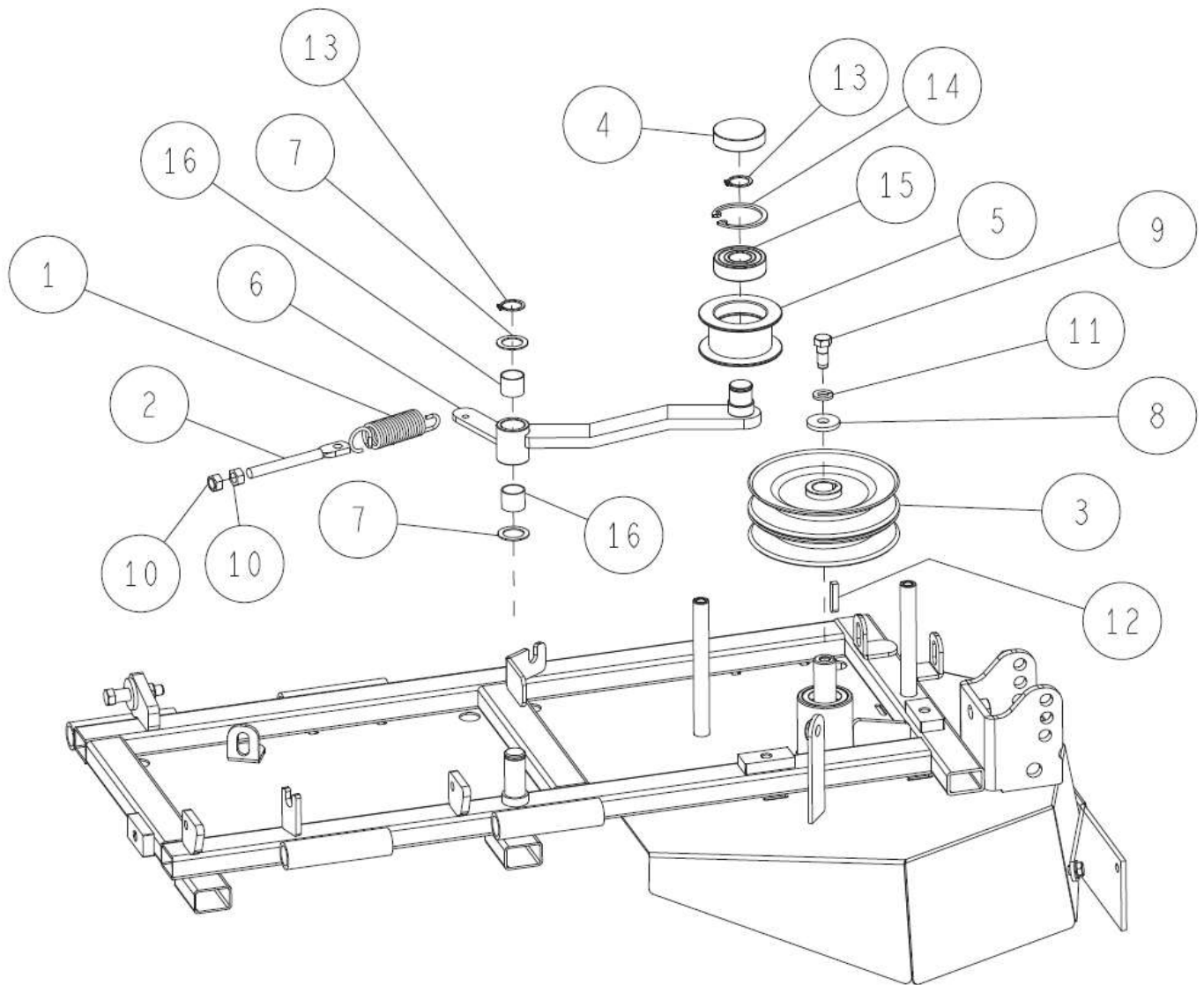
1	80-1614-725-22	Front Wheel Fork (Red)	1	
2	80-1614-726-00	Front Wheel Collar	1	
3	0256-60700	Dust Cover	1	
4	0285-73100	Front Wheel (G200N-20)	1	
5	0329-54302	Front Tire Bracket CMP (RMK150) (Red)	1	
6	83-1415-975-00	Grease Nipple M6	1	
7	83-1783-376-00	Thrust Washer 25*34*1.0	1	
8	84-1783-791-00	Grease Nipple Bolt M14	1	
9	89-1111-120952	Hexagonal Bolt M12*95	1	
10	89-1211-100952	Mini Hexagonal Bolt M10*95	1	
11	89-1213-100502	Mini Hexagonal Bolt (8T) M10*50	1	
12	89-1543-100002	Mini Hexagonal Nut (SW) M10	1	
13	89-1551-120002	Hexagonal U Nut M12	1	
14	89-1611-100042	Mini Hexagonal Nut M10	1	
15	89-1750-140002	Spring Washer 14	1	
16	89-2131-100002	Snap Pin 10	1	
17	89-2181-100802	Flat Head Pin 10*80	1	
18	89-3370-051105	Thrust Bearing 51105	1	
Ref.	Parts Number	Parts Name	Q'ty	Remarks

49/70 Middle Cover 3/5

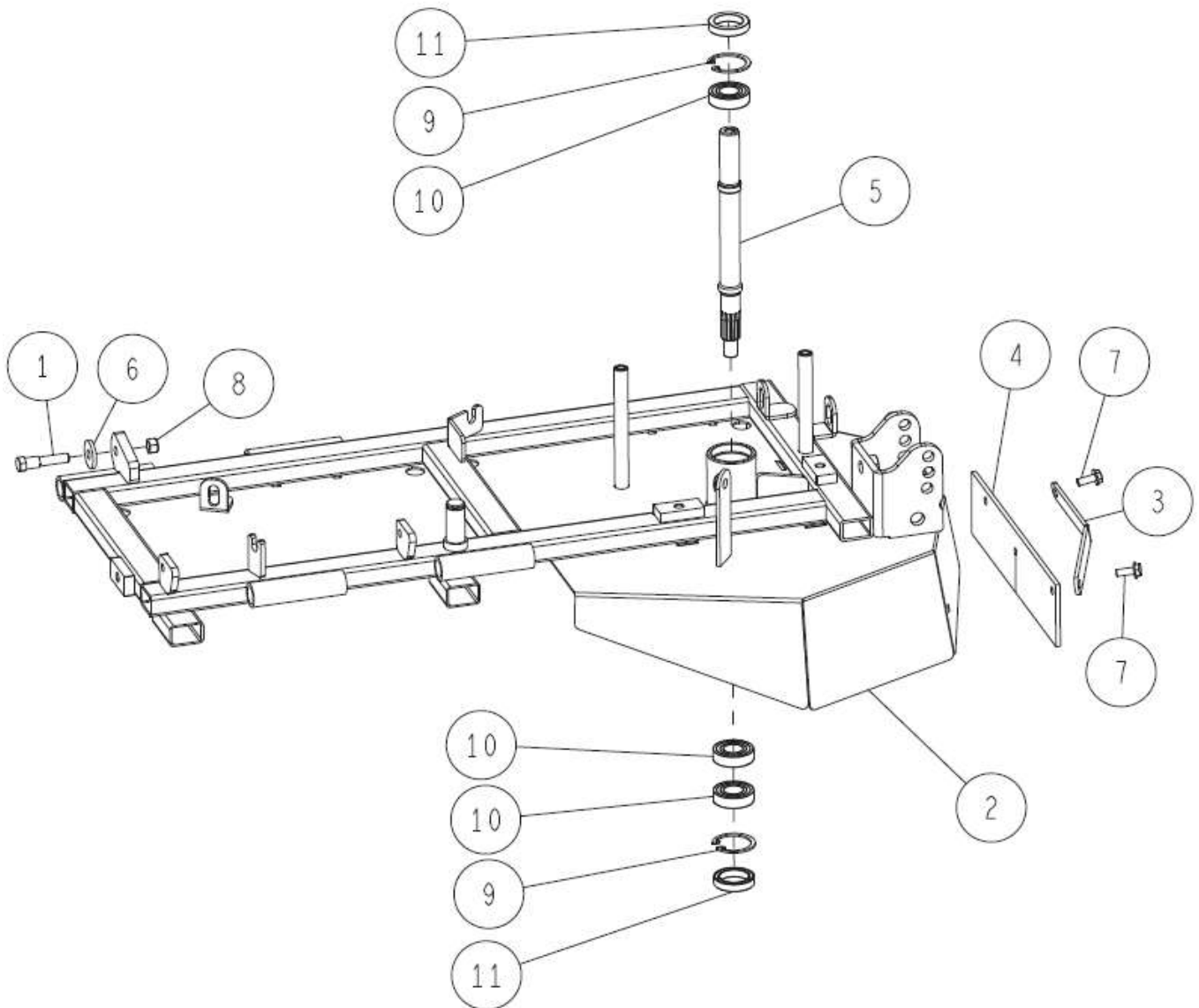


-	0356-72000	Offset Knife & Setting Bolt Set	1	4 × 6pcs, 6 × 12pcs, 7 × 12pcs
1	0329-5531H	Rotary Protector (RMK150) (Metallic Grey)	1	
2	0329-5540H	Knife Bracket (B) (RMK150) (Metallic Grey)	1	
3	0329-5550H	Knife Neck Guard CMP (RMK150) (Metallic Grey)	1	
4	0329-55600	Offset Blade (RMK150)	2	
5	83-1517-175-00	Mini Cap Nut M12	1	
6	83-1610-125-00	Hexagonal Bolt (8T) M10*35	4	
7	89-1750-100002	Spring Washer 10	4	
8	89-1750-120002	Spring Washer 12	1	
Ref.	Parts Number	Parts Name	Q'ty	Remarks

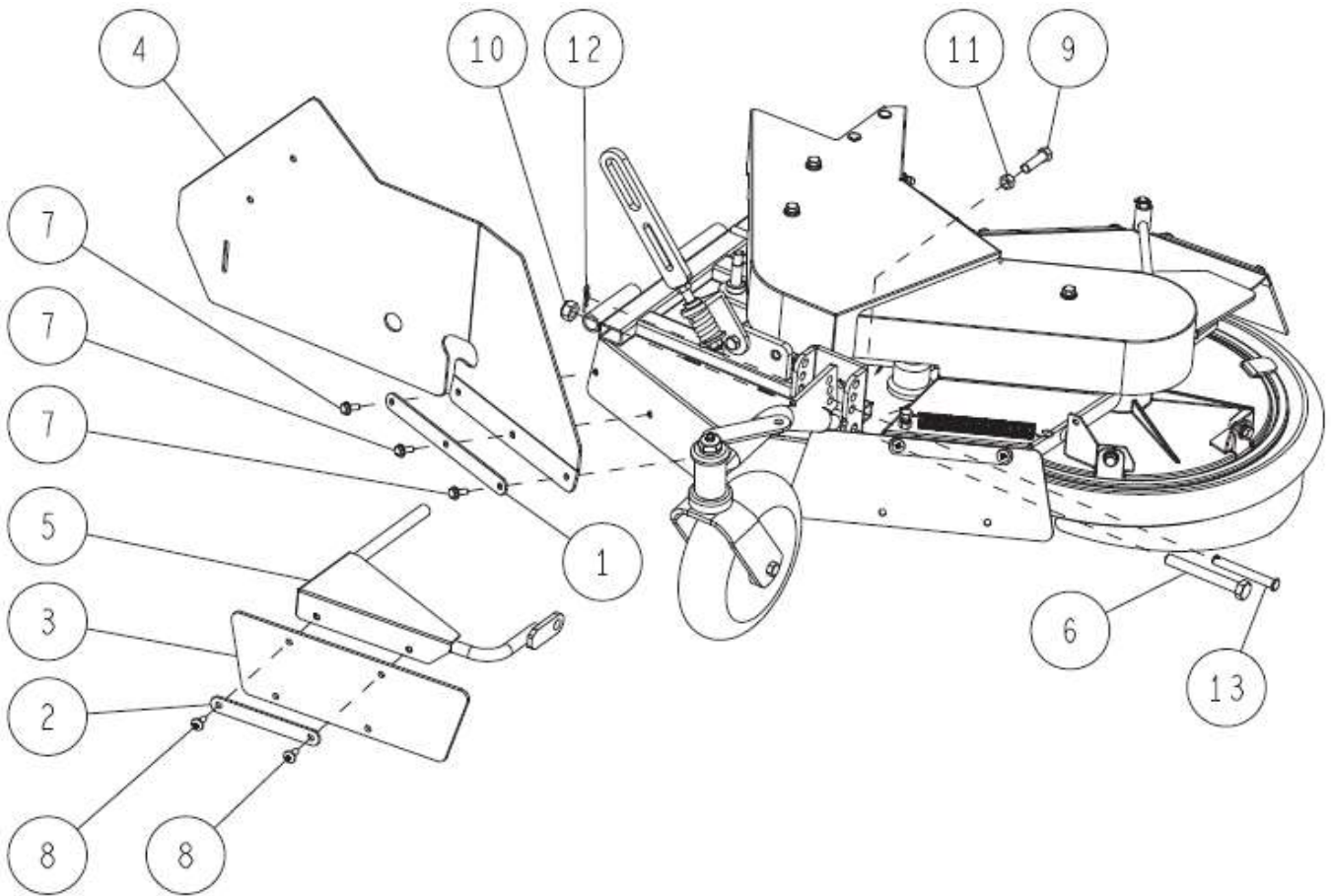
50/70 Middle Cover 4/5



-	0272-41000	Tension Pulley (B) Assy	1	5,14,15
1	80-1485-551-00	Driving Tension Spring	1	
2	0207-72300	Change Brake Adjuster	1	
3	0221-4020H	Knife Pulley (B) (Metallic Grey)	1	
4	0234-70500	Blind Cover 40	1	
5	0272-40200	Tension Pulley (B)	1	
6	0356-5120H	Middle Tension Arm (B) CMP (Metallic	1	
7	83-1020-363-00	Thrust Washer 16*24*1.0	2	
8	83-1751-312-00	Washer 8*25*3.2	1	
9	83-1761-112-00	Hexagonal Bolt (Meck) M8*20 (8T)	1	
10	89-1611-080042	Mini Hexagonal Nut M8	2	
11	89-1750-080002	Spring Washer 8	1	
12	89-2151-050250	Key 5*25 (half round)	1	
13	89-2511-000160	Snap Ring (S16)	2	
14	89-2512-000400	Snap Ring (R40)	1	
15	89-3115-062034	Bearing 6203 2RS	1	
16	89-3510-016150	DU Bush 16.15	2	
Ref.	Parts Number	Parts Name	Q'ty	Remarks

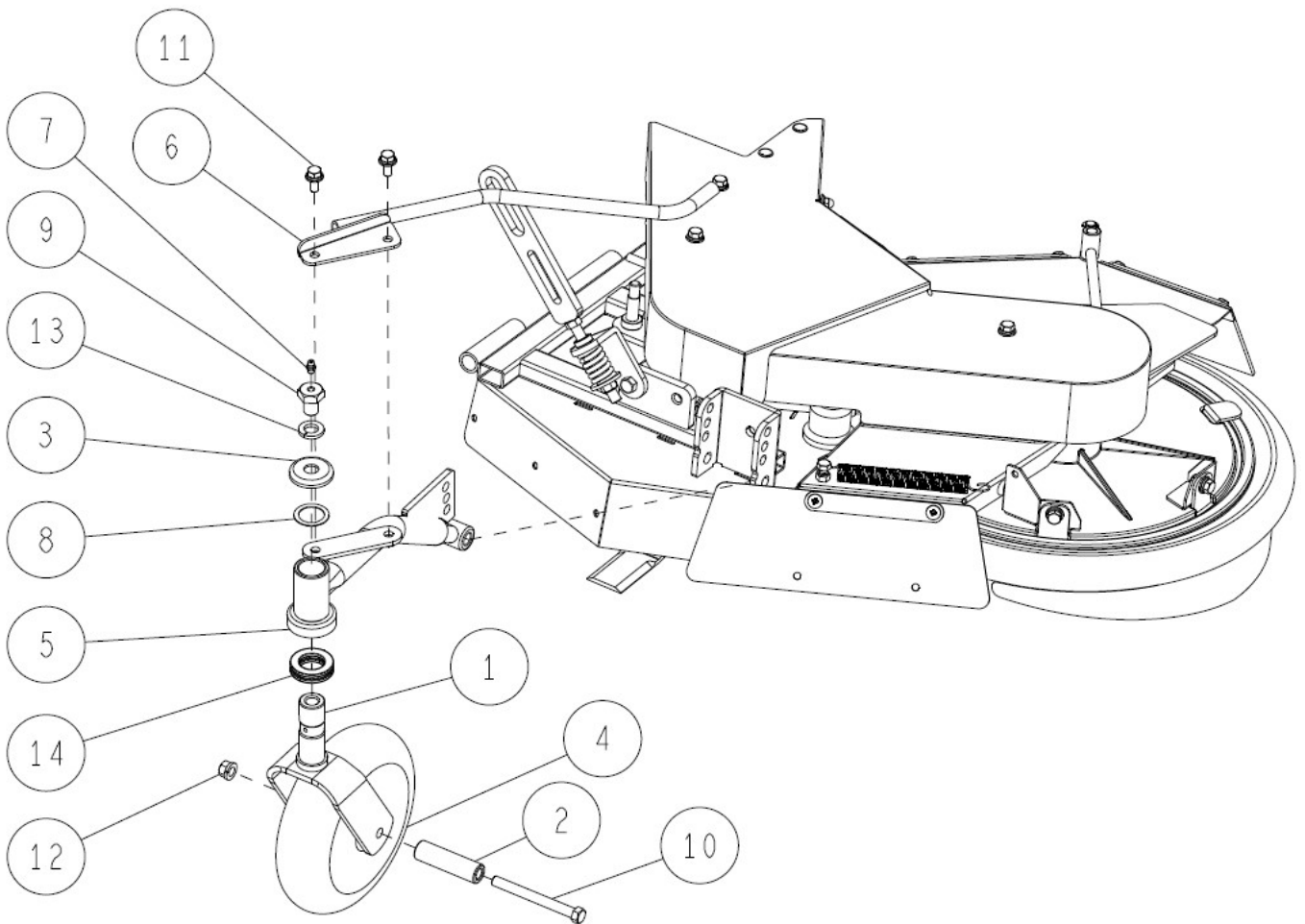


1	0341-50600	Stepped Bolt M8	1	
2	0356-5160H	Middle Cover CMP (Metallic Grey)	1	
3	0356-51800	Cover (D) Flapper Holder	1	
4	0356-51900	Cover (D) Flapper	1	
5	0356-52200	Vertical Shaft (B)	1	
6	83-1751-312-00	Washer 8*25*3.2	1	
7	89-1137-060172	Hexagonal Bolt (PW) M6*17	2	
8	89-1561-080002	Mini Hexagonal U Nut M8	1	
9	89-2512-000350	Snap Ring (R35)	2	
10	0356-70200	Bearing 6003 2RS	3	
11	89-5121-253507	Oil Seal UE 25.35.7	2	
Ref.	Parts Number	Parts Name	Q'ty	Remarks

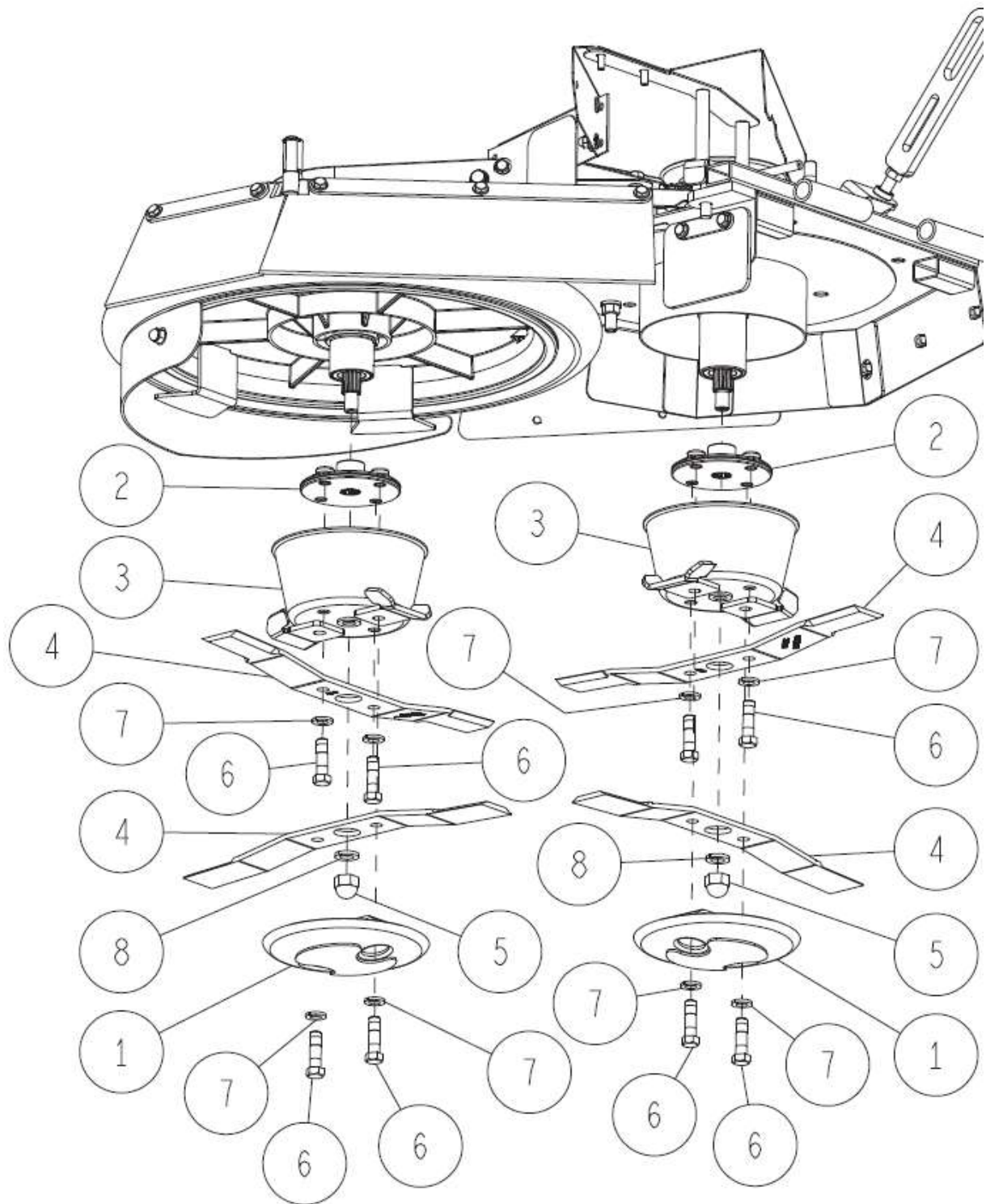


1	0303-5610H	Offset Flapper Holder (B) (Metallic Grey)	1	
2	0308-5040H	Swing Front Flapper Holder (RMK150) (Metallic Grey)	1	
3	0329-57800	Swing Front Flapper (RMK150)	1	
4	0356-61400	Offset Flapper (B)	1	
5	0356-6150H	Offset (F) Protector (Metallic Grey)	1	
6	89-1111-120952	Hexagonal Bolt M12*95	1	
7	89-1137-060172	Hexagonal Bolt (PW) M6*17	3	
8	89-1159-060168	Truss Mini Screw M6*16	2	
9	89-1213-100357	Mini Hexagonal Bolt (8T) M10*35	1	
10	89-1551-120002	Hexagonal U Nut M12	1	
11	89-1611-100042	Mini Hexagonal Nut M10	1	
12	89-2131-100002	Snap Pin 10	1	
13	89-2181-100802	Flat Head Pin 10*80	1	
Ref.	Parts Number	Parts Name	Q'ty	Remarks

53/70 Cutting Offset 2/9

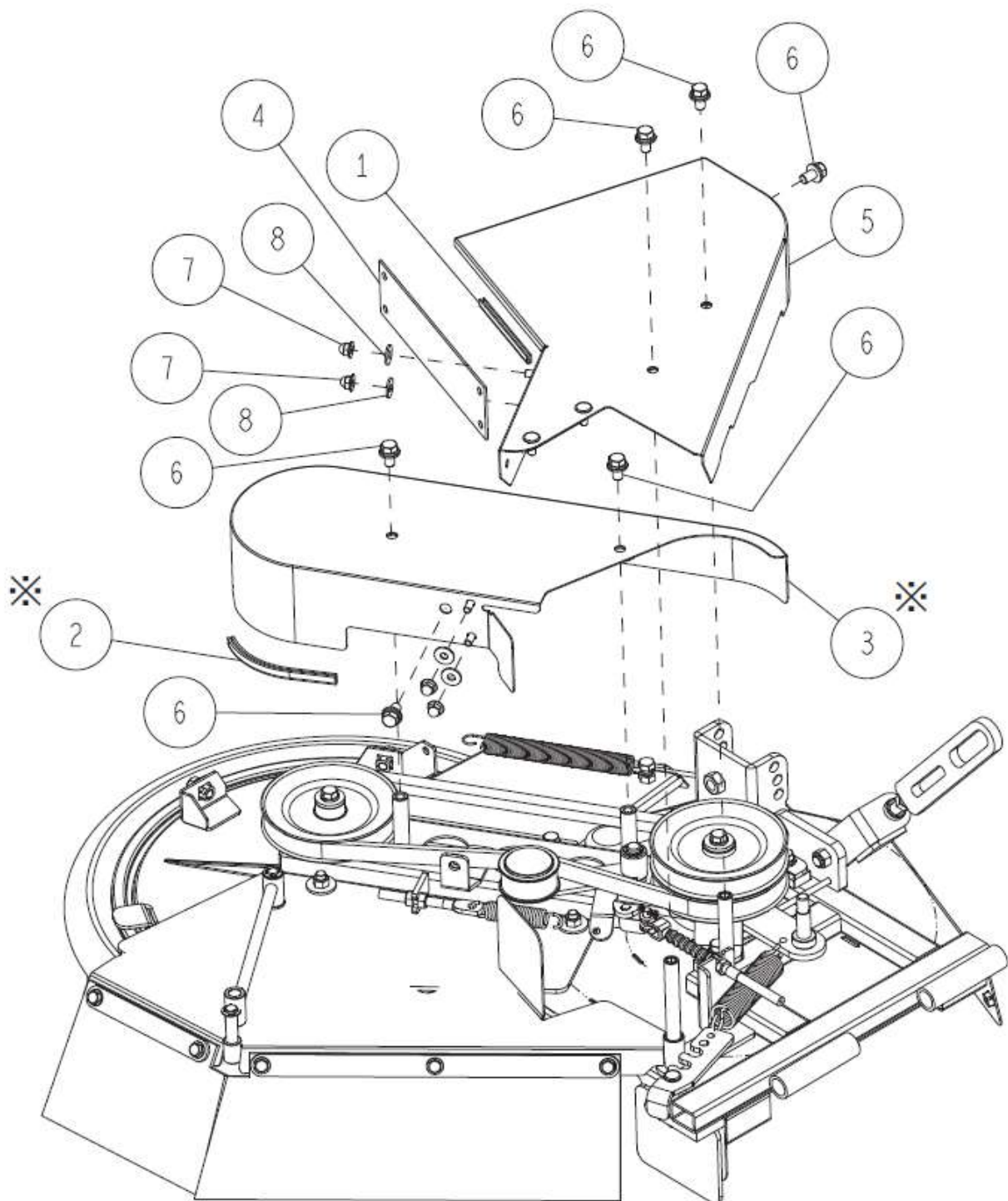


1	80-1614-725-22	Front Wheel Fork (Red)	1	
2	80-1614-726-00	Front Wheel Collar	1	
3	0256-60700	Dust Cover	1	
4	0285-73100	Front Wheel (G200N-20)	1	
5	0329-54302	Front Tire Bracket CMP (RMK150) (Red)	1	
6	0356-54402	Offset Marker CMP (Red)	1	HMBZM00137~
7	83-1415-975-00	Grease Nipple M6	1	
8	83-1783-376-00	Thrust Washer 25*34*1.0	1	
9	84-1783-791-00	Grease Nipple Bolt M14	1	
10	89-1211-100952	Mini Hexagonal Bolt M10*95	1	
11	89-1233-080202	Mini Hexagonal Bolt (PWSW) M8*20	2	HMBZM00137~
12	89-1543-100002	Mini Hexagonal Nut (SW) M10	1	
13	89-1750-140002	Spring Washer 14	1	
14	89-3370-051105	Thrust Bearing 51105	1	
Ref.	Parts Number	Parts Name	Q'ty	Remarks



-	0356-72000	Offset Knife & Setting Bolt Set	1	4 × 6pcs、6 × 12pcs、7 × 12pcs
1	0329-5531H	Rotary Protector (RMK150) (Metallic Grey)	2	
2	0329-5540H	Knife Bracket (B) (RMK150) (Metallic Grey)	2	
3	0329-5550H	Knife Neck Guard CMP (RMK150) (Metallic Grey)	2	
4	0329-55600	Offset Blade (RMK150)	4	
5	83-1517-175-00	Mini Cap Nut M12	2	
6	83-1610-125-00	Hexagonal Bolt (8T) M10*35	8	
7	89-1750-100002	Spring Washer 10	8	
8	89-1750-120002	Spring Washer 12	2	
Ref.	Parts Number	Parts Name	Q'ty	Remarks

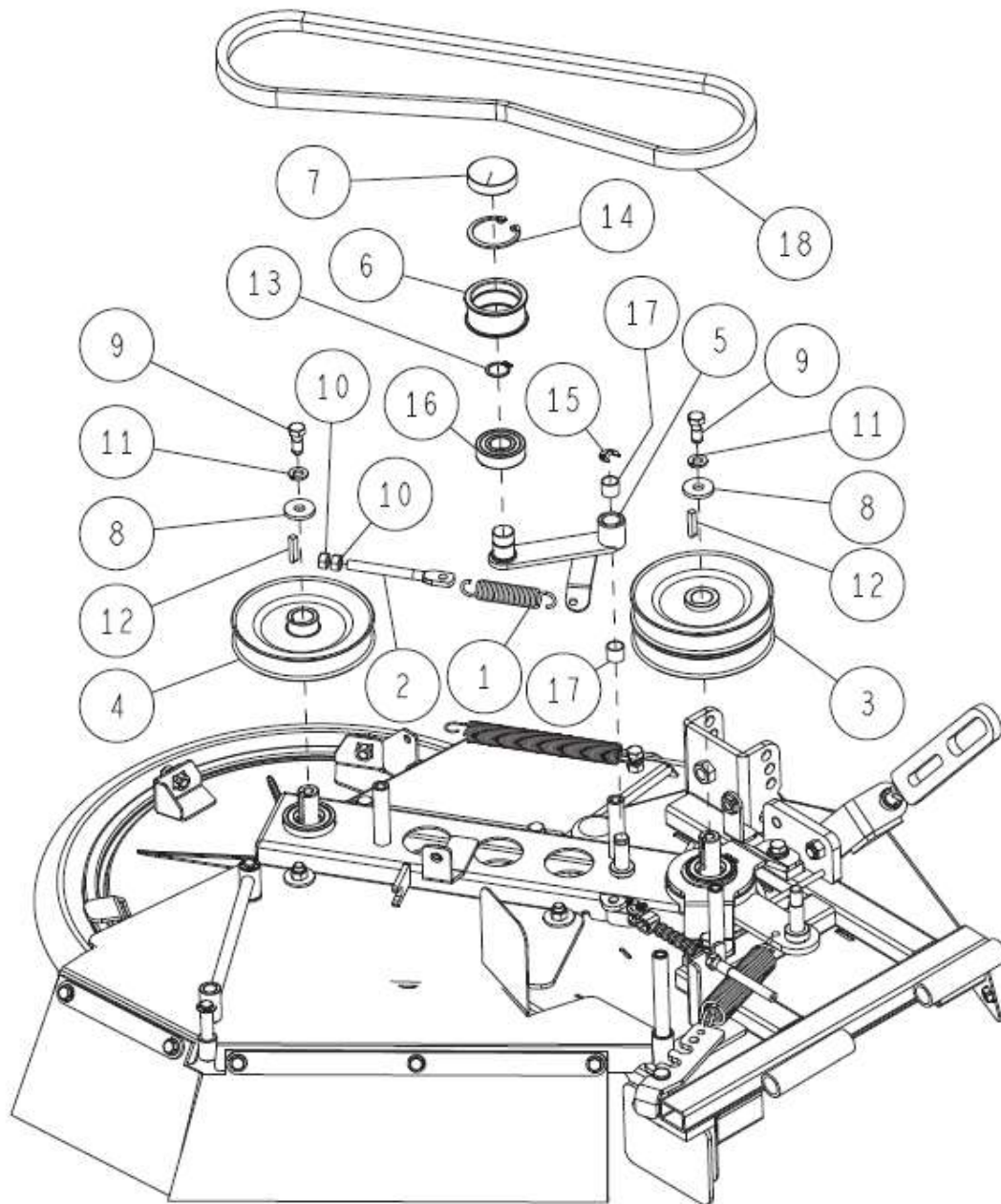
55/70 Cutting Offset 4/9



✖When ordering part ③, also order part ② at the same time and glue them together.

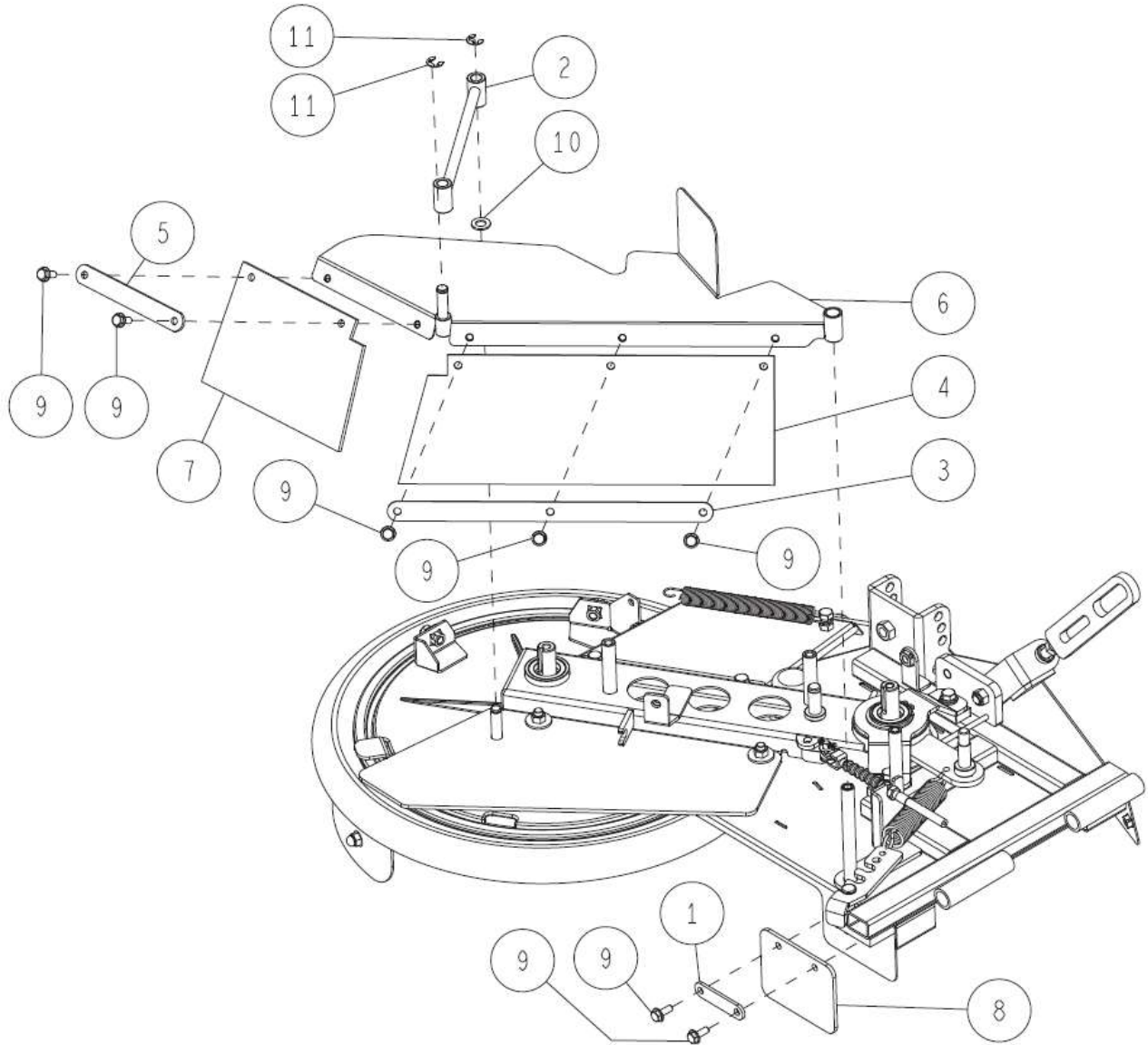
1	0223-71500	Rubber L92	1	
2	0301-60400	Rubber 110L	1	Attach to No3. with glue
3	0329-53701	Offset Belt Cover (C) CMP (RMK150) (White)	1	Order No2. together .
4	0329-57700	Belt Cover Rubber	1	
5	0356-53501	Belt Cover (B) CMP (White)	1	
6	89-1233-080162	Mini Hexagonal Bolt (PWSW) M8*16	6	
7	89-1581-060042	Flange Cap Nut M6	4	
8	89-1713-060002	Flat Washer 6 (large)	4	
Ref.	Parts Number	Parts Name	Q'ty	Remarks

56/70 Cutting Offset 5/9



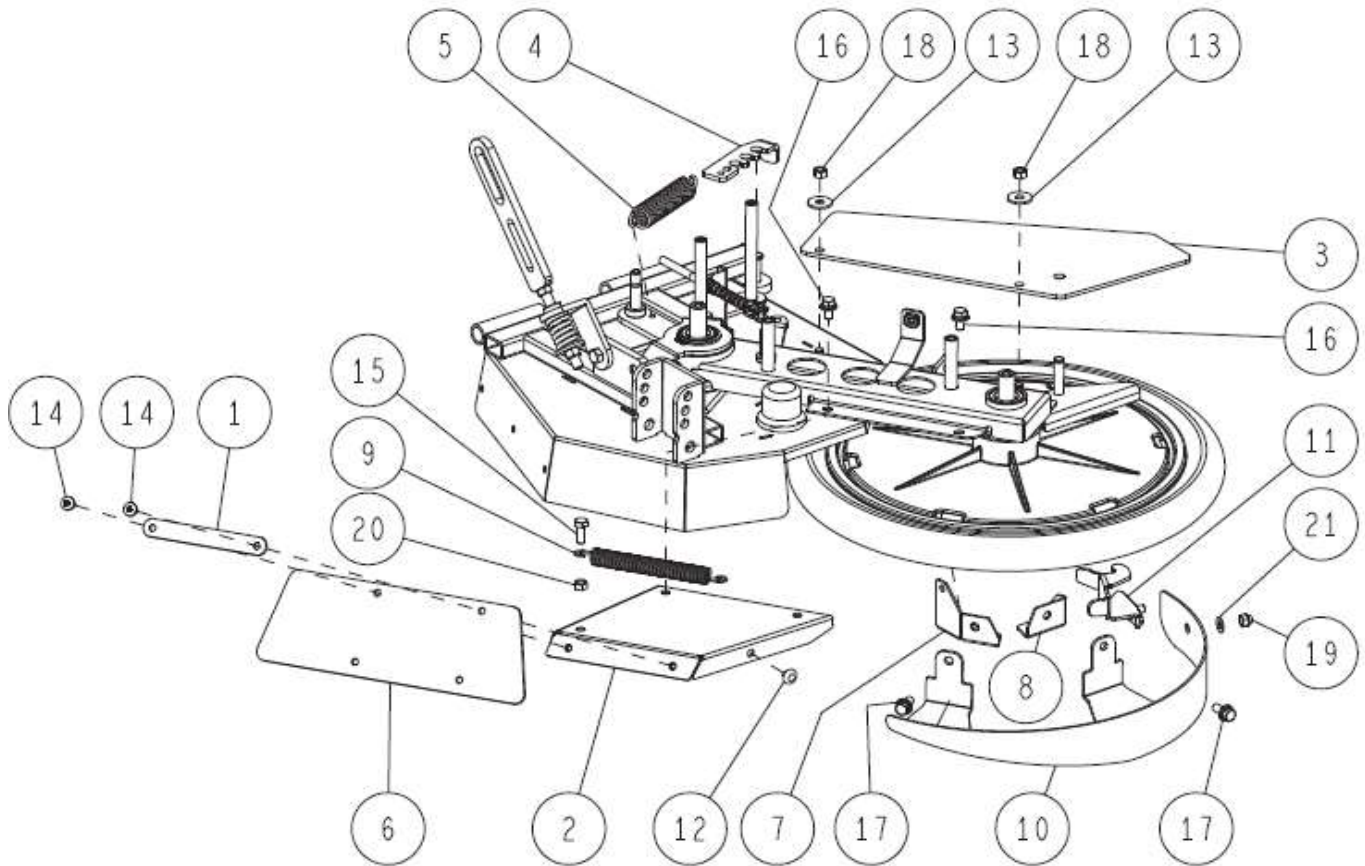
1	0201-52700	Tension Spring for Blade	1	
2	0207-72300	Change Brake Adjuster	1	
3	0221-4020H	Knife Pulley (B) (Metallic Grey)	1	
4	0221-4030H	Knife Pulley (C) (Metallic Grey)	1	
5	0221-4130H	Tension Arm (C) CMP (Metallic Grey)	1	
6	0221-41400	Tension Pulley (C)	1	
7	0234-70500	Blind Cover 40	1	
8	83-1751-312-00	Washer 8*25*3.2	2	
9	83-1761-112-00	Hexagonal Bolt (Meck) M8*20 (8T)	2	
10	89-1611-080042	Mini Hexagonal Nut M8	2	
11	89-1750-080002	Spring Washer 8	2	
12	89-2151-050250	Key 5*25 (half round)	2	
13	89-2511-000170	Snap Ring (S17)	1	
14	89-2512-000400	Snap Ring (R40)	1	
15	89-2521-000083	E Type Ring 8	1	
16	89-3115-062034	Bearing 6203 2RS	1	
17	89-3510-012120	DU Bush 12.12	2	
18	89-6123-004002	V Belt SB-40 (W800)	1	
Ref.	Parts Number	Parts Name	Q'ty	Remarks

57/70 Cutting Offset 6/9



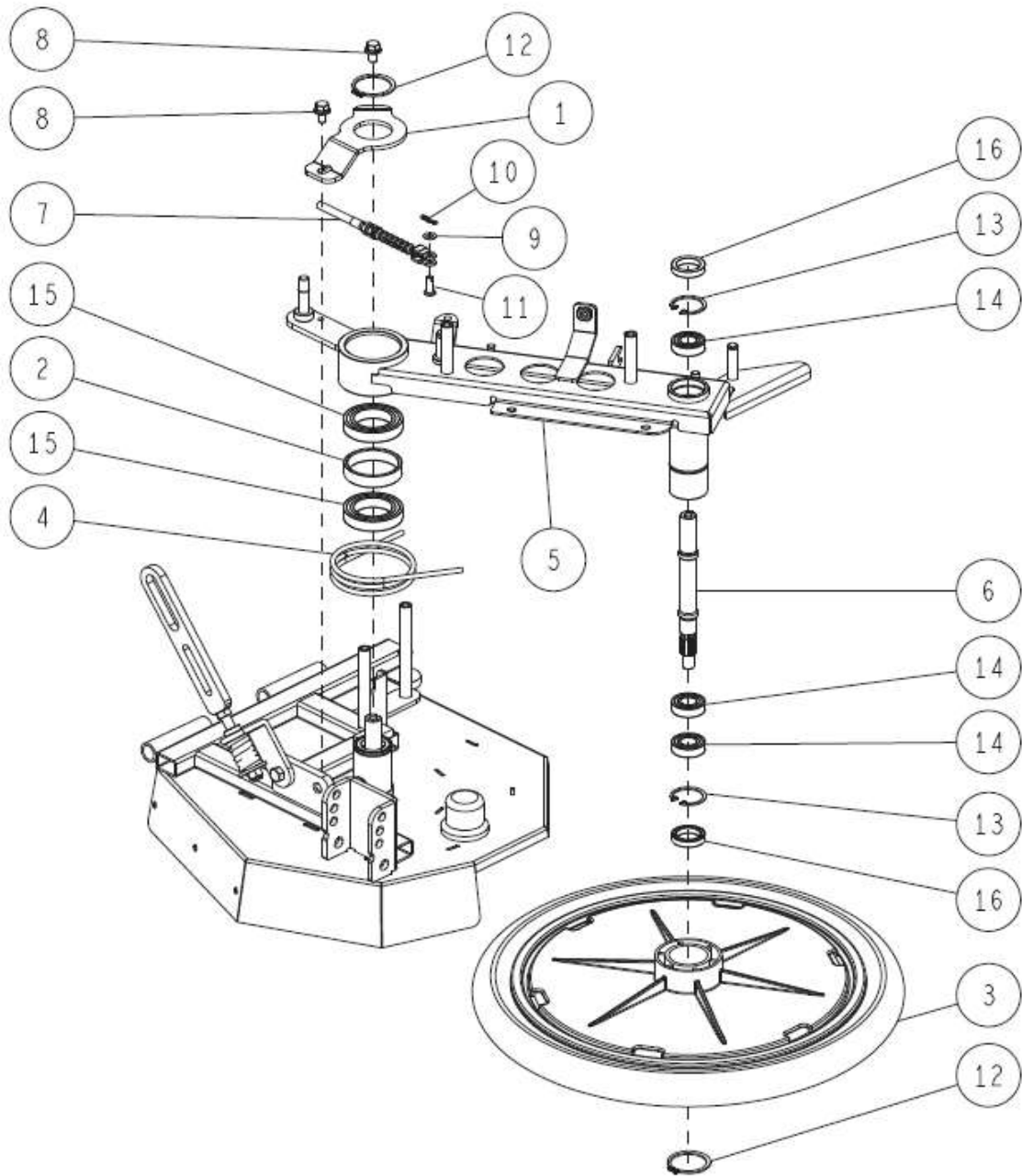
1	0051-61300	Flapper Holder	1	
2	0303-5260H	Swing Arm CMP (Metallic Grey)	1	
3	0303-5650H	Swing Flapper Holder (Metallic Grey)	1	
4	0303-57800	Swing Flapper	1	
5	0308-5040H	Swing Front Flapper Holder (RMK150) (Metallic Grey)	1	
6	0329-5270H	Swing Cover CMP (RMK150) (Metallic Grey)	1	
7	0329-57900	Swing Side Flapper (RMK150)	1	
8	0356-62700	Cover (B) Flapper	1	
9	89-1137-060172	Hexagonal Bolt (PW) M6*17	7	
10	89-1711-100002	Flat Washer 10*18*1.6	1	
11	89-2521-000080	E Type Ring 8	2	
Ref.	Parts Number	Parts Name	Q'ty	Remarks

58/70 Cutting Offset 7/9



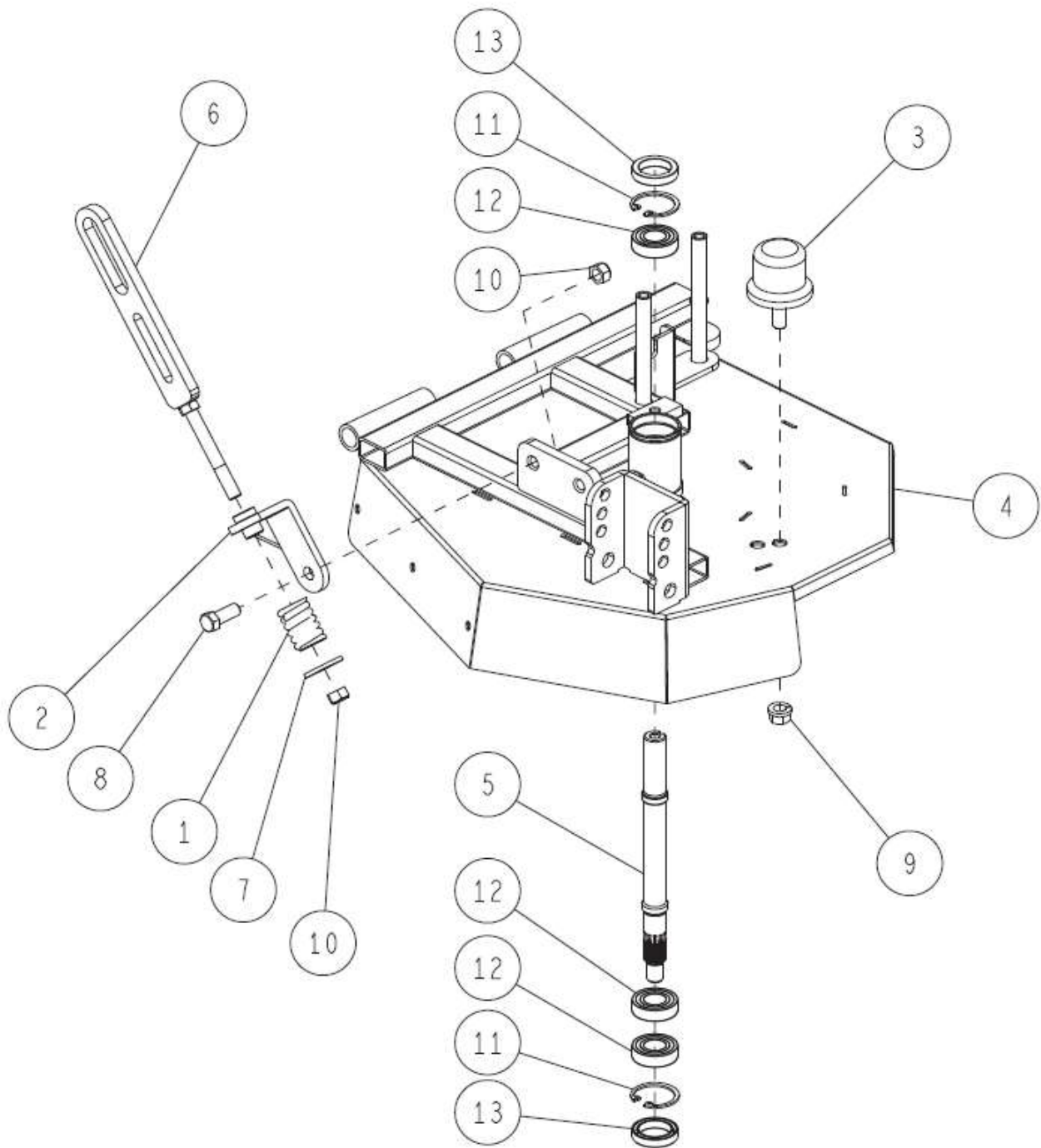
1	0308-5040H	Swing Front Flapper Holder (RMK150) (Metallic Grey)	1	
2	0329-5310H	Cover (D) CMP (RMK150) (Metallic Grey)	1	
3	0329-53300	Cover (E) (RMK150)	1	
4	0329-55700	Spring Hook Plate (RMK150)	1	
5	0329-55900	Spring for Offset Return (P) (RMK150)	1	
6	0329-57800	Swing Front Flapper (RMK150)	1	
7	0329-62202	Cover Stopper (A) CMP (Red)	1	
8	0329-62402	Cover Stopper (B) CMP (Red)	1	
9	0329-62600	Spring for Cover Return	1	
10	0356-62102	Offset Cover CMP (Red)	1	
11	0356-62302	Cover Setting Stay CMP (Red)	1	
12	0927-71700	Rubber Cap 10	1	
13	83-1751-311-00	Flat Washer 8*25*2.3	2	
14	89-1159-060168	Truss Mini Screw M6*16	2	
15	89-1211-080202	Mini Hexagonal Bolt M8*20	1	
16	89-1233-080162	Mini Hexagonal Bolt (PWSW) M8*16	2	
17	89-1233-080202	Mini Hexagonal Bolt (PWSW) M8*20	2	
18	89-1561-080002	Mini Hexagonal U Nut M8	2	
19	89-1563-080003	Bag Hexagonal U Nut M8	1	
20	89-1611-080042	Mini Hexagonal Nut M8	1	
21	89-1711-080002	Flat Washer 8	1	
Ref.	Parts Number	Parts Name	Q'ty	Remarks

59/70 Cutting Offset 8/9

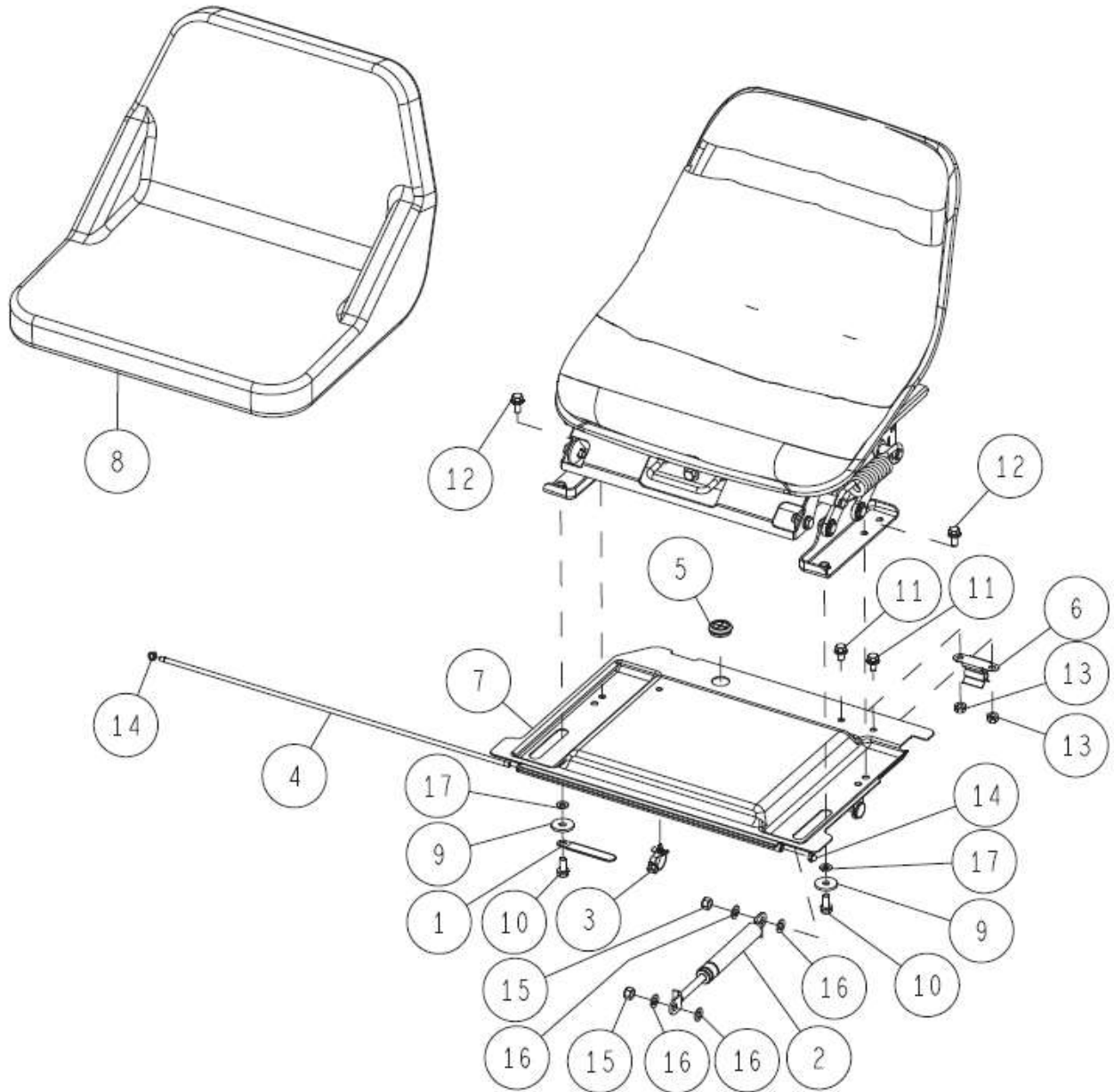


1	0329-5130H	Upper Holder (RMK150) (Metallic Grey)	1	
2	0329-51400	Holder Collar (RMK150)	1	
3	0329-55100	18 inch Tire (RMK150)	1	
4	0329-55800	Spring for Offset Return (RMK150)	1	
5	0356-5070H	Cover (C) CMP (Metallic Grey)	1	
6	0356-52400	Vertical Shaft (C)	1	
7	0356-70100	Offset Wire	1	
8	89-1233-080162	Mini Hexagonal Bolt (PWSW) M8*16	2	
9	89-1711-060002	Flat Washer 6	1	
10	89-2132-060002	Snap Pin 6 (with stopper)	1	
11	89-2181-060182	Flat Head Pin 6*18	1	
12	89-2511-000400	Snap Ring (S40)	2	
13	89-2512-000350	Snap Ring (R35)	2	
14	0356-70200	Bearing 6003 2RS	3	
15	89-3115-069084	Bearing 6908 2RS	2	
16	89-5121-253507	Oil Seal UE 25.35.7	2	
Ref.	Parts Number	Parts Name	Q'ty	Remarks

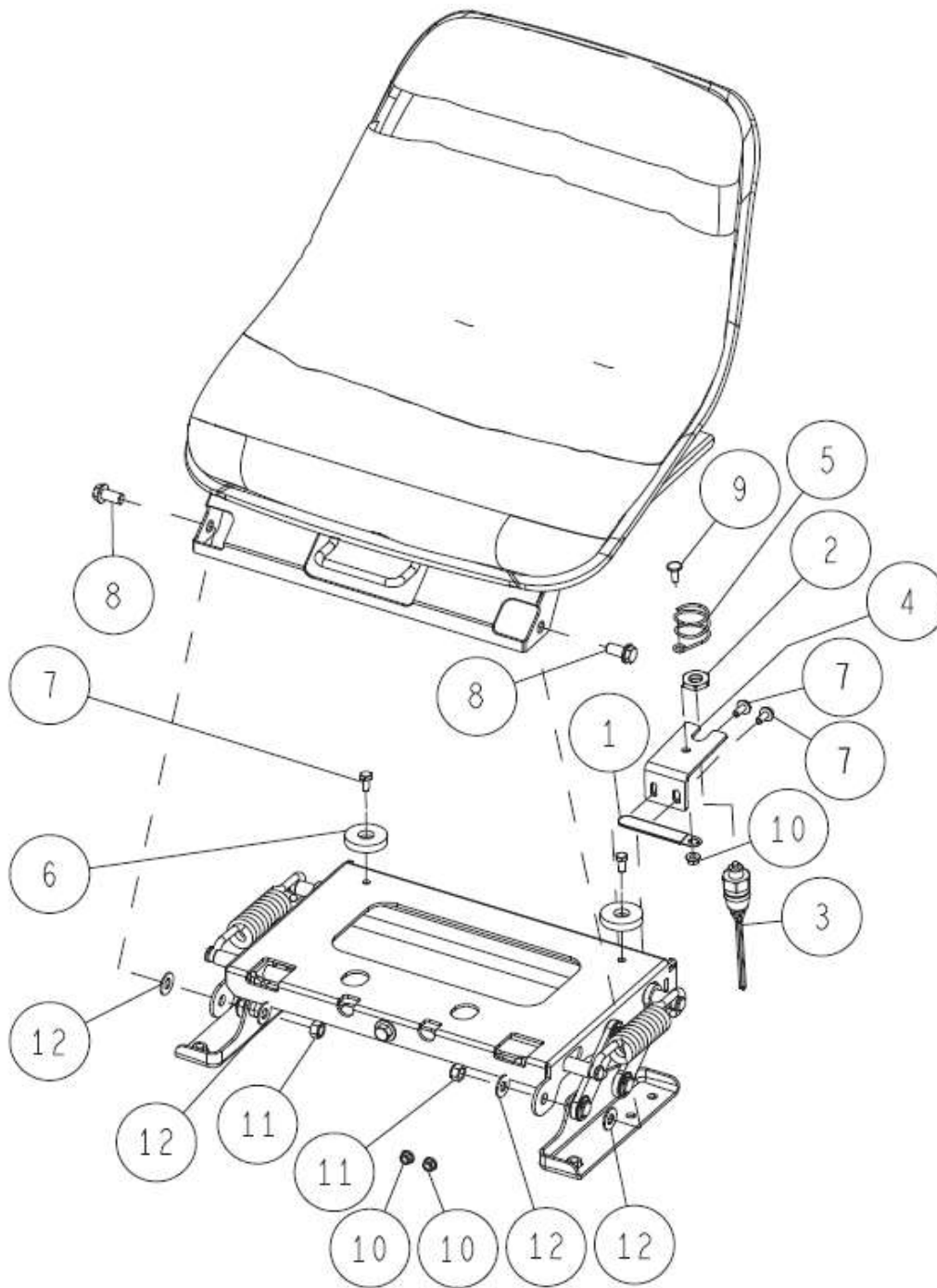
60/70 Cutting Offset 9/9



1	0221-51200	Hunger Spring (A)	1	
2	0303-5360H	Hunger Stay CMP (Metallic Grey)	1	
3	0303-70300	Stopper Cushion Rubber	1	
4	0356-5060H	Cover (B) CMP (Metallic Grey)	1	
5	0356-52200	Vertical Shaft (B)	1	
6	0356-53100	Hanger CMP	1	
7	83-1035-323-00	Washer 10*30*3.2	1	
8	89-1213-100252	Mini Hexagonal Bolt (8T) M10*25	1	
9	89-1543-100002	Mini Hexagonal Nut (SW) M10	1	
10	89-1561-100002	Mini Hexagonal U Nut M10	2	
11	89-2512-000350	Snap Ring (R35)	2	
12	0356-70200	Bearing 6003 2RS	3	
13	89-5121-253507	Oil Seal UE 25.35.7	2	
Ref.	Parts Number	Parts Name	Q'ty	Remarks

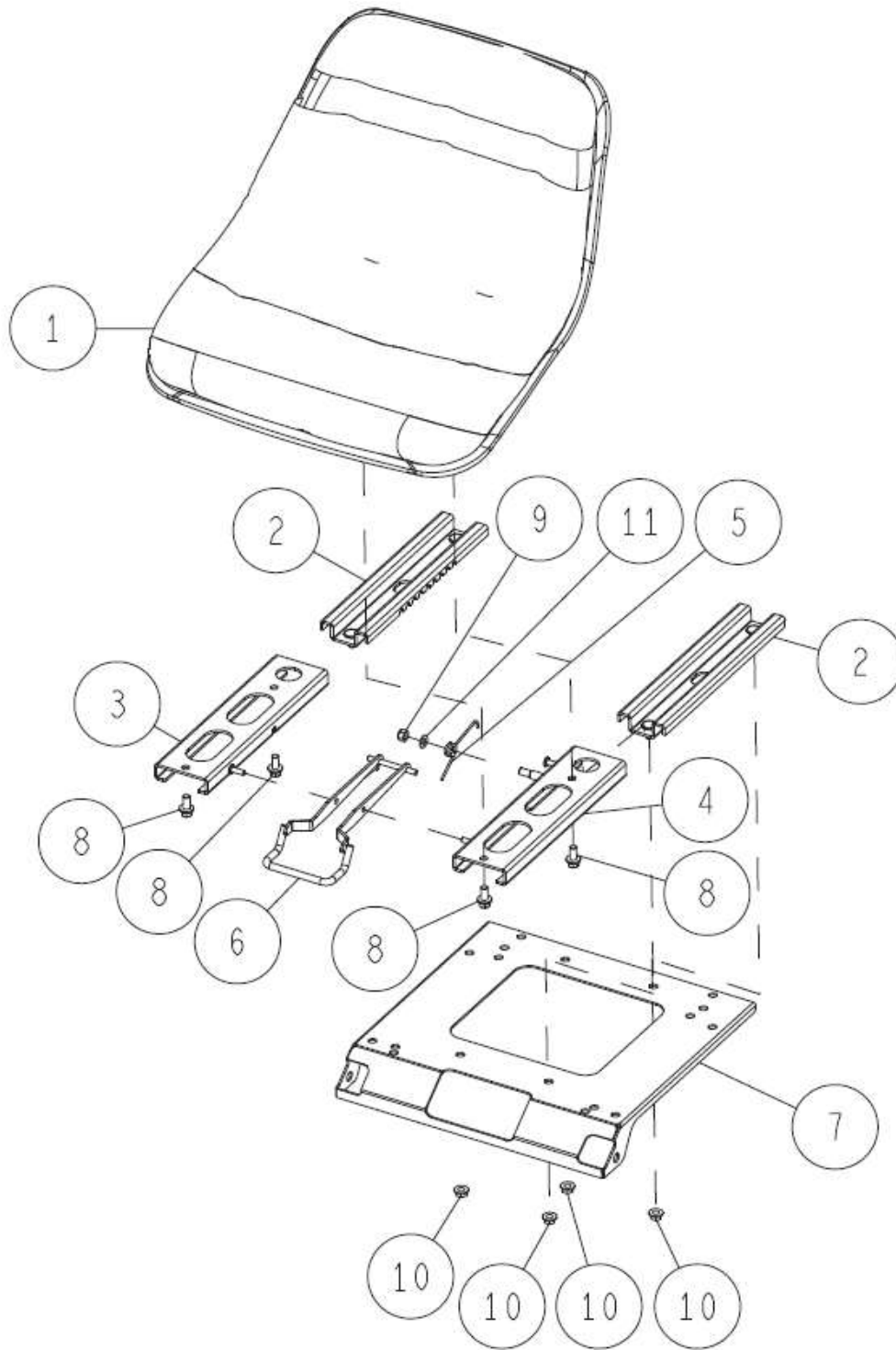


1	80-1792-988-00	Harness Clip 8	1	
2	0207-72700	Gas Spring KMF 50-40	1	
3	0221-71900	Clip CT-339	1	
4	0244-22200	Seat Bracket Shaft	1	
5	0244-73700	Grommet 24	1	
6	0312-70700	Bonnet Clip	1	
7	0322-2160G	Seat Bracket CMP (Green)	1	OR
8	0322-73100	Seat Cover (option)	1	
9	83-1415-312-00	Washer 8*30*3.2	2	
10	89-1132-080202	Hexagonal Bolt (SW) M8*20	2	
11	89-1233-080162	Mini Hexagonal Bolt (PWSW) M8*16	2	
12	89-1233-080202	Mini Hexagonal Bolt (PWSW) M8*20	2	
13	89-1543-080002	Mini Hexagonal Nut (SW) M8	2	
14	89-1553-060002	Bag Hexagonal U Nut M6	2	
15	89-1561-100002	Mini Hexagonal U Nut M10	2	
16	89-1711-100002	Flat Washer 10*18*1.6	4	
17	89-1750-080002	Spring Washer 8	2	
Ref.	Parts Number	Parts Name	Q'ty	Remarks

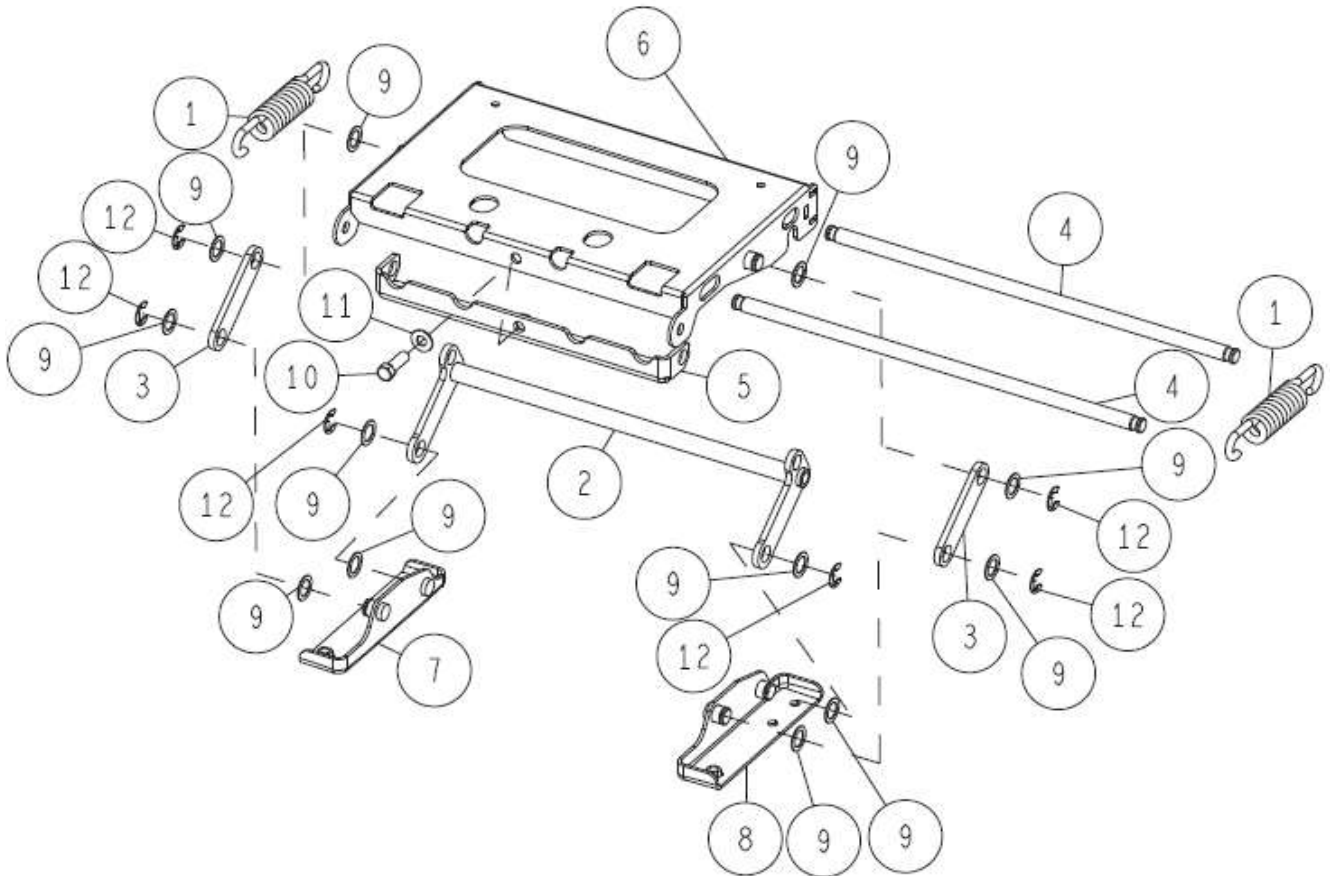


1	80-1792-988-00	Harness Clip 8	1	
2	0207-72800	Switch Lock Nut	1	
3	0207-74400	Safety Switch K17850	1	
4	0341-21600	Seat Switch Stay	1	
5	0341-21700	Seat Switch Spring	1	
6	0342-22100	Rubber, Seat Spacer	2	
7	89-1137-060152	Hexagonal Bolt (PW) M6*15	4	
8	89-1253-100202	Flange Mini Hexagonal Bolt (8T) M10*20	2	
9	89-1390-060162	Welded Bolt M6*16	1	
10	89-1531-060042	Flange Nut M6	3	
11	89-1561-100002	Mini Hexagonal U Nut M10	2	
12	89-1714-100002	Flat Washer 10	4	
Ref.	Parts Number	Parts Name	Q'ty	Remarks

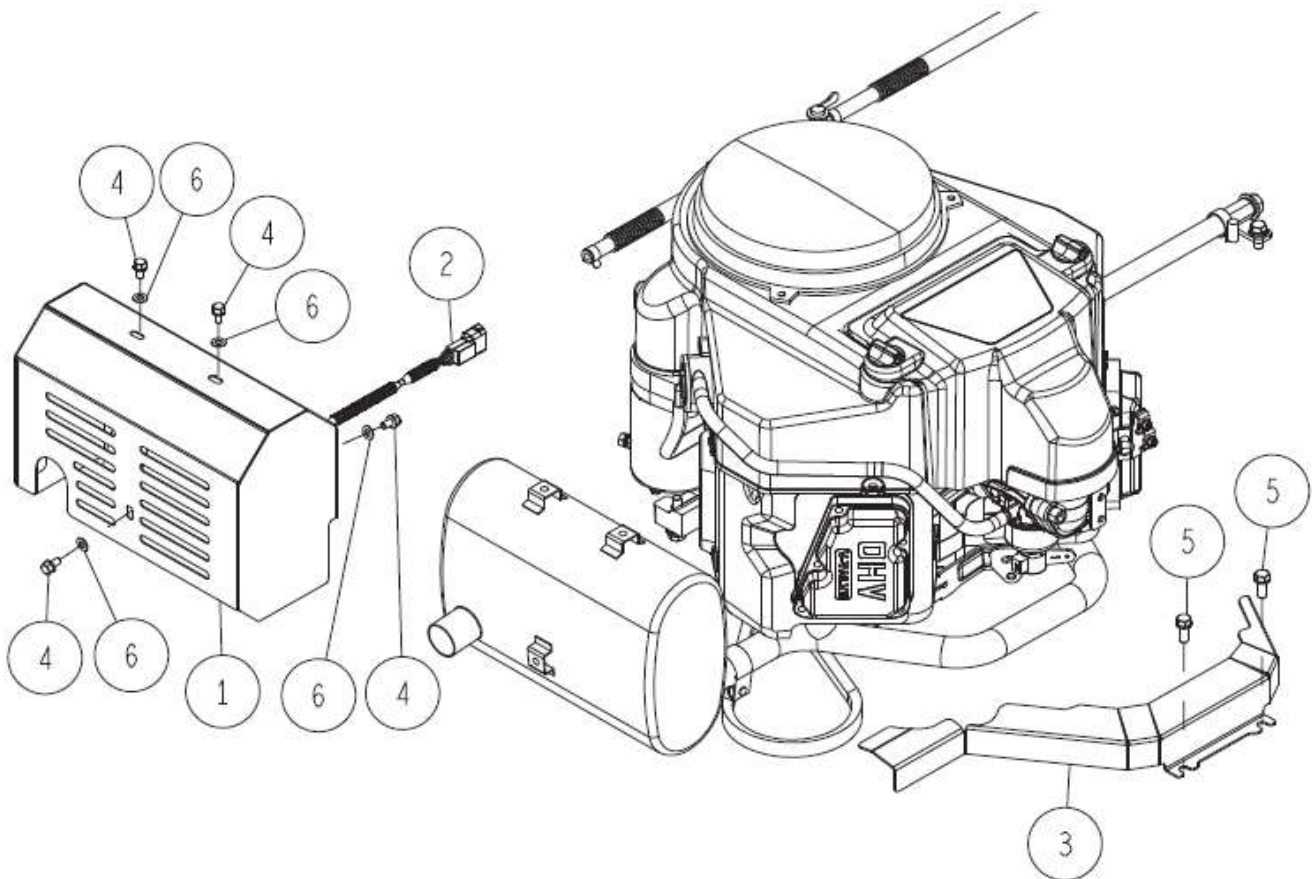
63/70 Seat 3/4



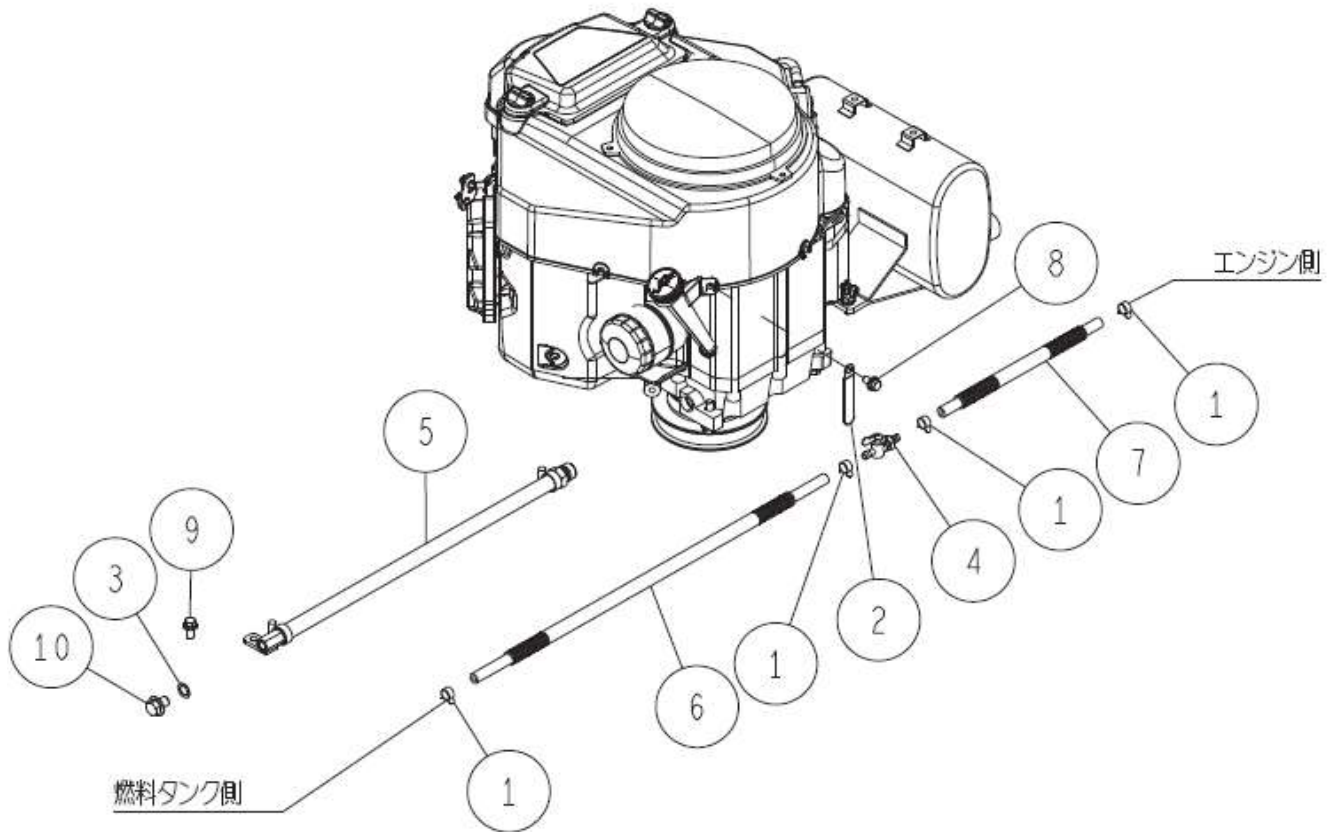
1	0284-78100	Seat K4 (Black)	1	
2	0341-21201	Lower Slide CMP (White)	2	
3	0341-21301	Upper Slide CMP (R) (White)	1	
4	0341-21401	Upper Slide CMP (L) (White)	1	
5	0341-21500	Seat Lever Spring	1	
6	0341-21801	Slide Lever CMP (White)	1	
7	0356-21101	Seat Receiver (White)	1	
8	89-1233-080202	Mini Hexagonal Bolt (PWSW) M8*20	4	
9	89-1561-080002	Mini Hexagonal U Nut M8	1	
10	89-1631-080042	Flange Mini Hexagonal Nut M8	4	
11	89-1711-080002	Flat Washer 8	1	
Ref.	Parts Number	Parts Name	Q'ty	Remarks



1	0244-71200	Spring for Seat Link	2	
2	0312-21601	Parallel Seat Link CMP (White)	1	
3	0312-21701	Seat Parallel Link (B) (White)	2	
4	0312-21800	Spring Shaft	2	
5	0312-22101	Spring Shaft Hook CMP (White)	1	
6	0341-21901	Link Upper Bracket CMP (White)	1	
7	0348-2110G	Link Upper Bracket (R) CMP (Green)	1	OR
8	0348-2120G	Link Upper Bracket (L) CMP (Green)	1	OR
9	83-1020-363-00	Thrust Washer 16*24*1.0	12	
10	89-1211-100302	Mini Hexagonal Bolt M10*30	1	
11	89-1714-100002	Flat Washer 10	1	
12	89-2521-000120	E Type Ring 12	6	
Ref.	Parts Number	Parts Name	Q'ty	Remarks

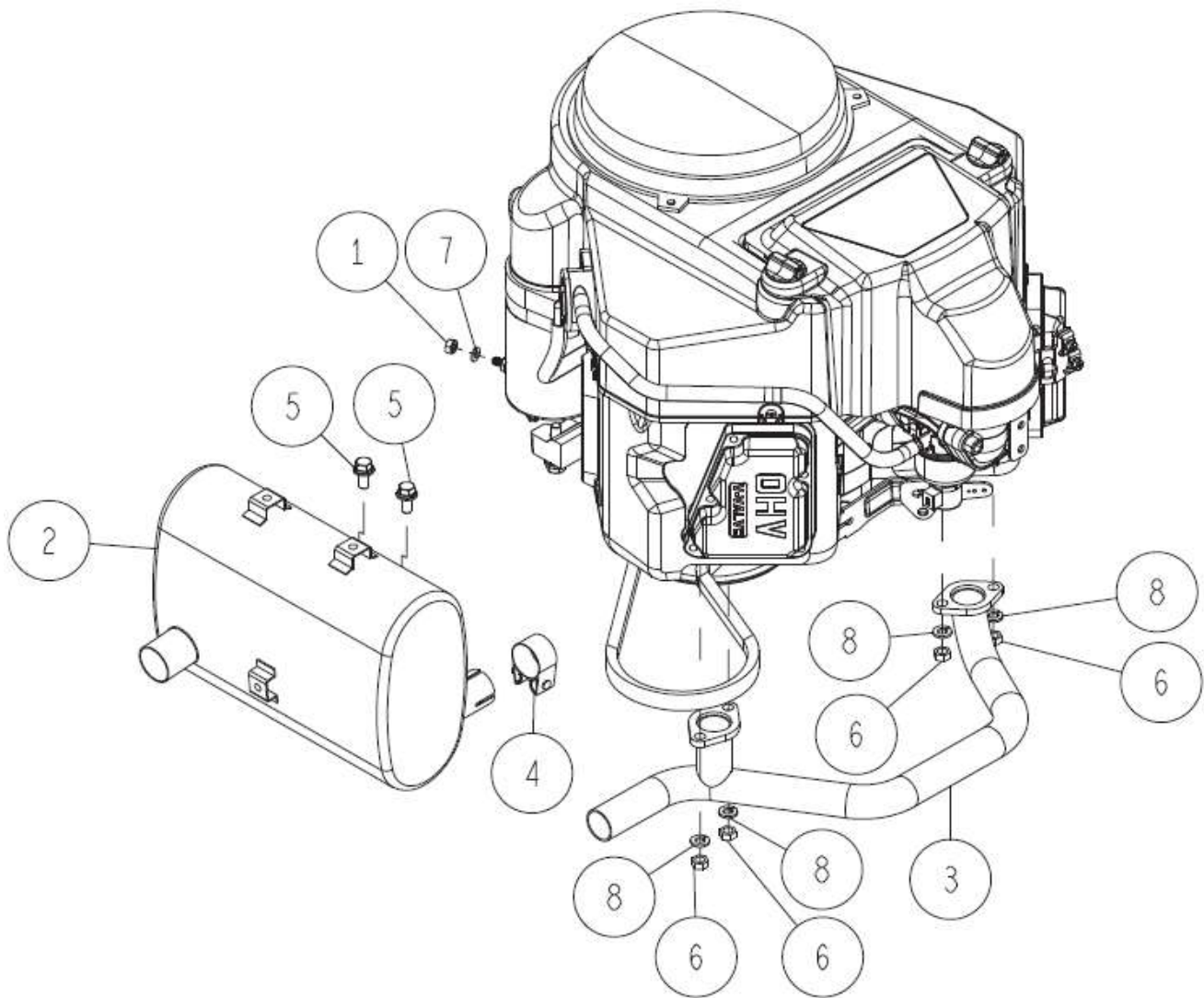


1	0312-40500	Muffler Cover CMP	1	
2	0312-77300	Harness (K)	1	
3	0329-40600	Exhaust Pipe Cover (RMK150)	1	
4	89-1132-060122	Hexagonal Bolt (SW) M6*12	4	
5	89-1232-080202	Mini Hexagonal Bolt (SW) M8*20	2	
6	89-1711-060002	Flat Washer 6	4	
Ref.	Parts Number	Parts Name	Q'ty	Remarks

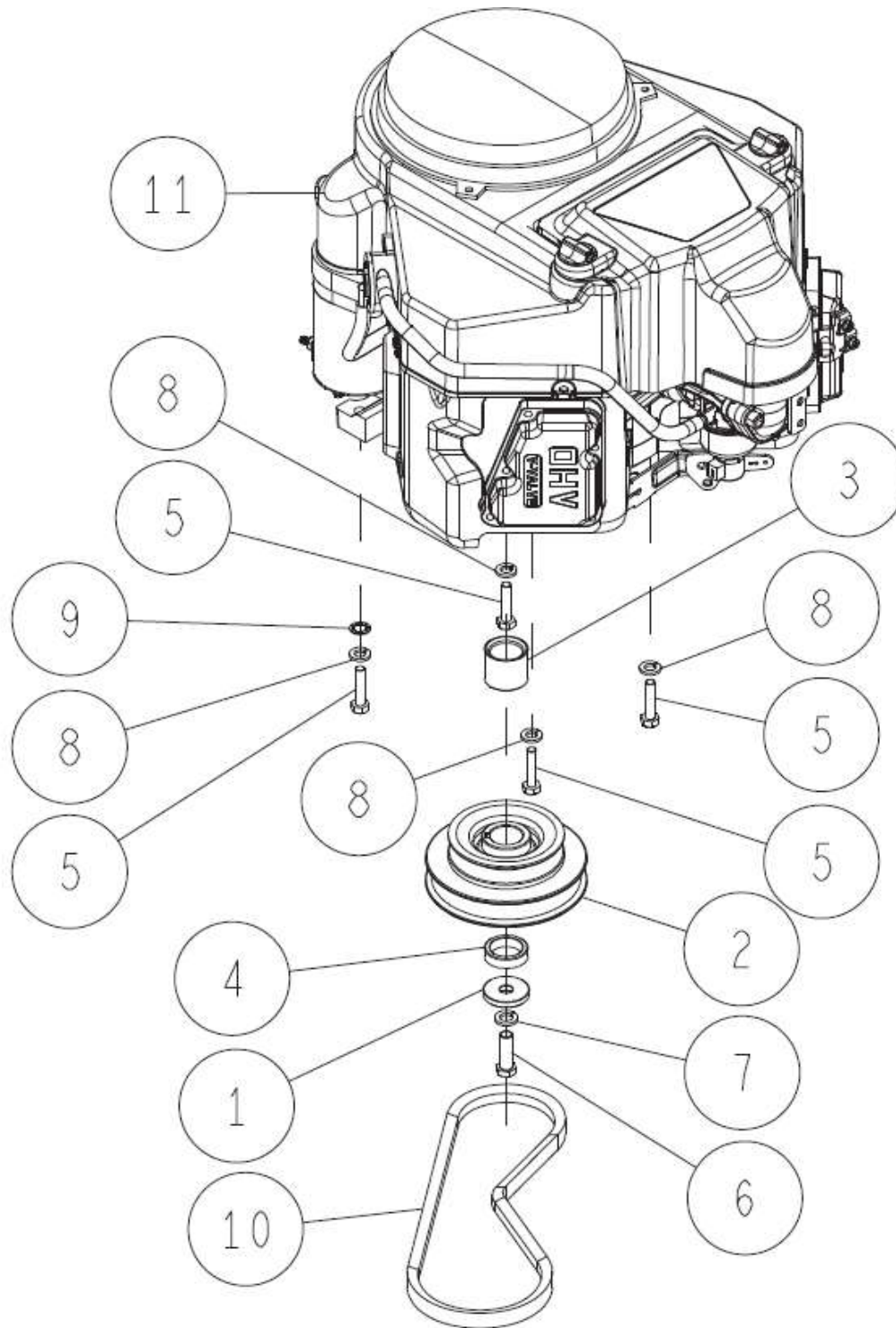


-	0322-74000	Fuel Cock Assy (K)	1	1×2ヶ、4、7
-	0322-72500	Fuel Hose 270L & Clip	1	1×2ヶ、7
-	0322-72400	Fuel Hose 600L & Clip	1	1×2ヶ、6
1	80-1483-988-00	Hose Clip 17	4	
2	80-1792-988-00	Harness Clip 8	1	
3	0207-74900	Copper Packing 12.5*19*1.0	1	
4	0244-74500	Fuel Cock	1	
5	0312-44100	Oil Drain Assy (K)	1	OリングP16 付属
6	0322-70400	Fuel Hose 600L	1	
7	0322-70500	Fuel Hose 270L	1	
8	89-1233-080162	Mini Hexagonal Bolt (PWSW) M8*16	1	
9	89-1233-080202	Mini Hexagonal Bolt (PWSW) M8*20	1	
10	89-1251-120152	Flange Mini Hexagonal Bolt M12*15	1	
Ref.	Parts Number	Parts Name	Q'ty	Remarks

67/70 Engine (Kawasaki) 3/4



1	0207-76300	Nut UNF 1/4	1	
2	0312-40100	Muffler	1	
3	0312-40200	Exhaust Pipe CMP (FS641)	1	
4	0312-70500	Muffler Band	1	
5	89-1233-080202	Mini Hexagonal Bolt (PWSW) M8*20	2	
6	89-1611-080042	Mini Hexagonal Nut M8	4	
7	89-1750-060002	Spring Washer 6	1	
8	89-1750-080002	Spring Washer 8	4	
Ref.	Parts Number	Parts Name	Q'ty	Remarks



1	80-1487-516-00	Washer 11*40*6	1	
2	0221-40400	Engine Pulley	1	
3	0244-41100	Engine Collar	1	
4	0244-41200	Sub Engine Collar (21HP)	1	
5	0312-42100	Hexagonal Bolt (8T) UNC 3/8-16*38	4	
6	83-1437-115-00	Hexagonal Bolt (8T) UNF7/16*35	1	
7	83-1493-300-00	Spring Washer 7/16	1	
8	89-1750-100002	Spring Washer 10	4	
9	89-1812-100002	Toothed Washer (inside) 10	1	
10	89-6123-003202	V Belt SB-32 (W800)	1	
11	9025-0010	Kawasaki Engine FS691V-AG80	1	
Ref.	Parts Number	Parts Name	Q'ty	Remarks

70/70 ラベル部 RMK180X

0342-70500
ステップロゴマーク

0342-70400
フロントロゴマーク

0289-72110
エンジンオイルラベル

燃料タンクカバー左右へ

RMK180X
RABBIT POWER

0356-76100
型式マーク(RMK180X)

0342-70700
サイドカウルマーク LR

0294-72910
エンジン注意ラベル

0310-76110
エンジンメンテナンスラベル

0262-81210
RM警告(作業)ラベル

公道乗車禁止
0334-80910
公道乗車禁止ラベル(小)

0342-71300
シートパネ調整ラベル

0356-77100
メンテラベル(RMK180)
※シートブラケット上置

0352-76600
ハンドルマーク

0342-71200
キーラベル

0308-75310
RM警告(一般)ラベル

0356-73200
刈草ラベル(国内)(OR)

0343-70400
燃料タンクカバートップマーク

0328-74600
注意ラベル

0322-77810
3点ヒューズBOXラベル

0356-74200
コントロールラベル(OR)RMK180

0329-76110
オフセット警告ラベル

0329-77510
チョークマーク

0342-71100
油量1.0ラベル

0328-74600
注意ラベル

0356-77200
マーカ警告ラベル
※上面を中心に斜くように貼る

0334-71800
ナイフ警告ラベル

0349-74300
幹周刈ラベル(OR)

0322-77900
反射ラベル

0238-71200
点検実施ラベル

点検済の中